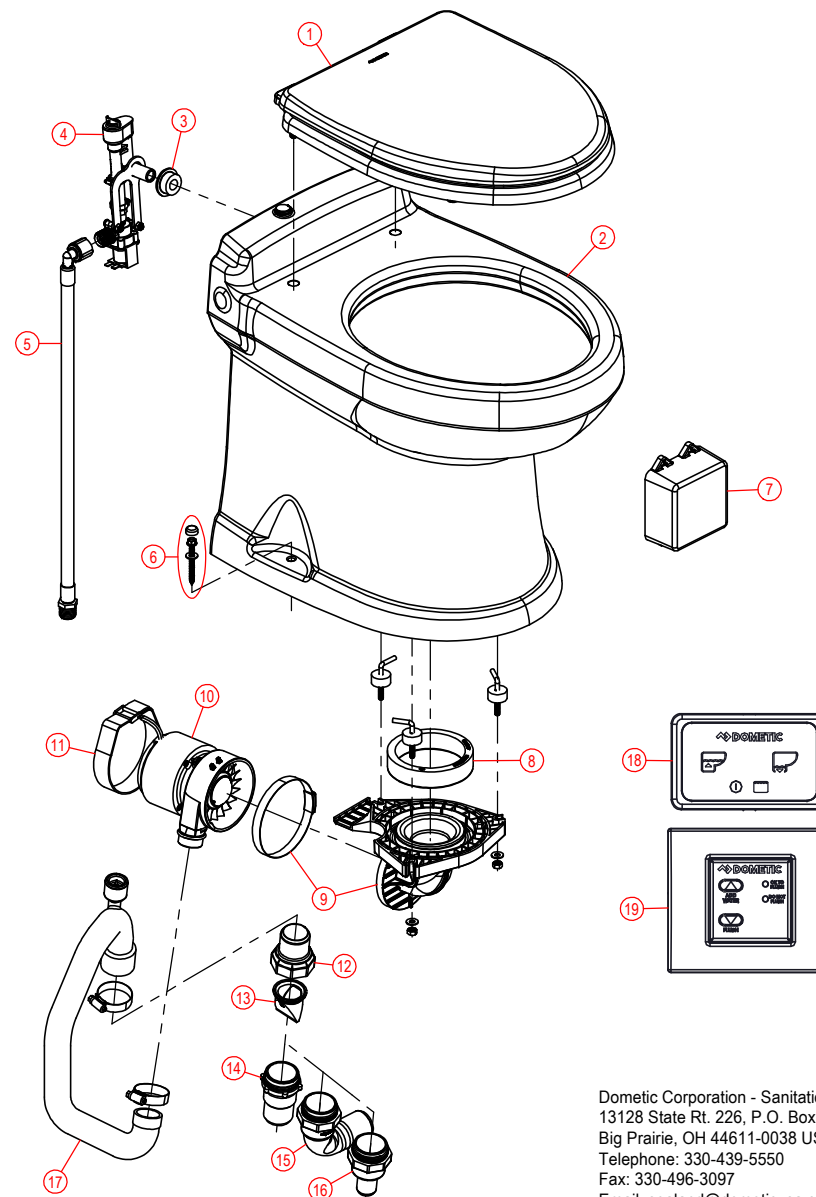


PARTS LIST: 8740 TALL MASTERFLUSH TOILET

ITEM	PART NUMBER & DESCRIPTION
1	385311005 - SEAT/COVER WOOD - WHITE 385311006 - SEAT/COVER WOOD - BONE **Includes Mounting Hardware.
2	385311730 - CONCERTO TALL SERIES BOWL KIT - WHITE 385311731 - CONCERTO TALL SERIES BOWL KIT - BONE
3	385311164 - 1/2" SEALING GROMMET
4	385312135 - VACUUM BRK / WATER VALVE KIT - 12vdc 385312136 - VACUUM BRK / WATER VALVE KIT - 24vdc ** Includes Item 3.
5	385311547 - WATER SUPPLY HOSE REPLACEMENT
6	385311022 - BOWL MOUNTING HARDWARE KIT WHT/BONE
7	385880085 - CONTROL MODULE 12/24VDC (DBL)
8	385312137 - BOWL ADAPTER SEAL REPLACEMENT **Includes Mounting Hardware.
9	385312138 - BOWL TRANSITION ADAPTER KIT **Includes Item 8 & Mounting Hardware
10	385880068 - MOTOR/MACERATOR ASSY - 12VDC 385880069 - MOTOR/MACERATOR ASSY - 24VDC
11	385880083 - MOTOR/PUMP MOUNTING STRAP
12	385880070 - DISCHARGE TUBE VALVE ADAPTER
13	385311620 - 1-1/2" CHECK VALVE
14	385311315 - 1-1/2" VALVE ADAPTER
15	385880071 - 1-1/2" VALVE ADAPTER ELBOW
16	385880072 - 1" VALVE ADAPTER
17	385312139 - DISCHARGE TUBE REPLACEMENT KIT **Includes Clamps & Antisiphon Valve.
18	313600021 - DOMETIC TOUCHPAD FLUSH SWITCH - WHITE 313600022 - DOMETIC TOUCHPAD FLUSH SWITCH - BLACK
19**	313409010 - DOMETIC FLUSH CONTROL - STD GRAY 313409020 - DOMETIC FLUSH CONTROL - STD WHITE
NOT** SHOWN	385880082 - DOMETIC TOUCHPAD FLUSH SWITCH CABLE



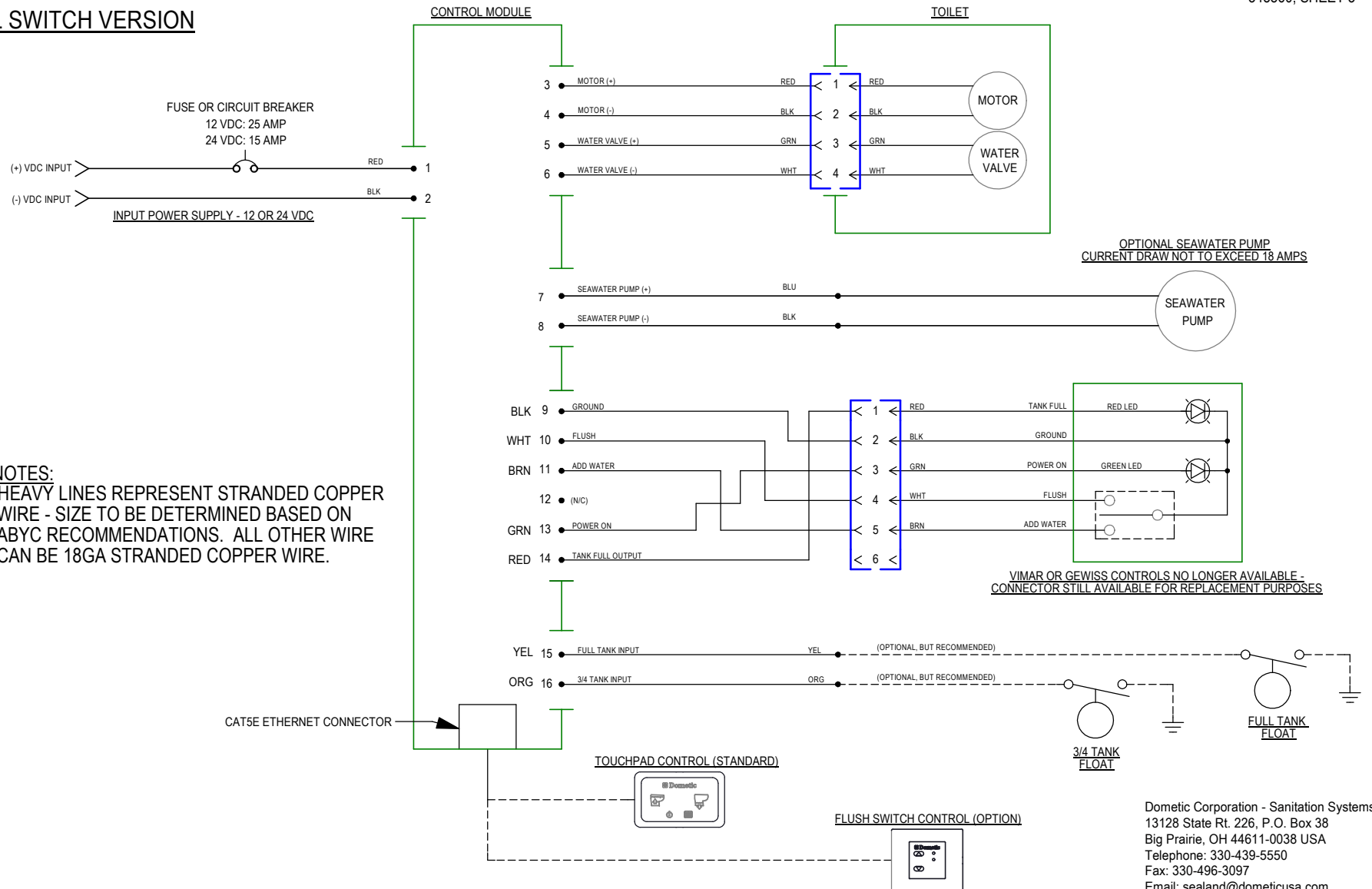
****ITEMS ARE OPTIONAL ACCESSORIES SOLD SEPARATELY & ARE NOT INCLUDED WITH EVERY MODEL.**

Dometic Corporation - Sanitation Systems
13128 State Rt. 226, P.O. Box 38
Big Prairie, OH 44611-0038 USA
Telephone: 330-439-5550
Fax: 330-496-3097
Email: sealand@dometicusa.com

PARTS LIST: 8740 TALL MASTERFLUSH TOILET

WIRING DIAGRAM WALL SWITCH VERSION

WIRING DIAGRAM DWG REF.:
345860; SHEET 3



NOTES:
-HEAVY LINES REPRESENT STRANDED COPPER WIRE - SIZE TO BE DETERMINED BASED ON ABYC RECOMMENDATIONS. ALL OTHER WIRE CAN BE 18GA STRANDED COPPER WIRE.

Dometic Corporation - Sanitation Systems
13128 State Rt. 226, P.O. Box 38
Big Prairie, OH 44611-0038 USA
Telephone: 330-439-5550
Fax: 330-496-3097
Email: sealand@dometicus.com