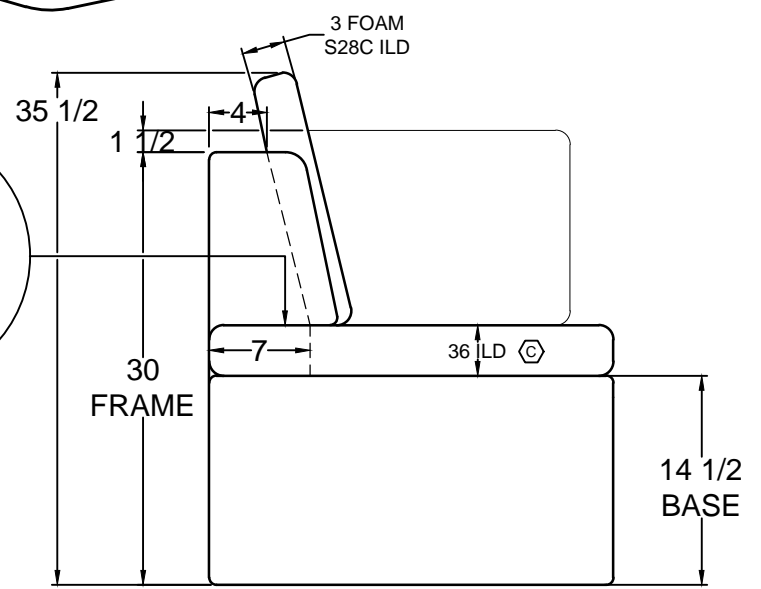
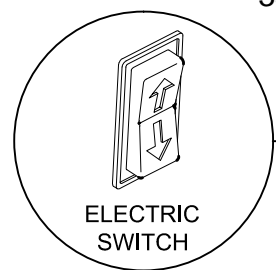
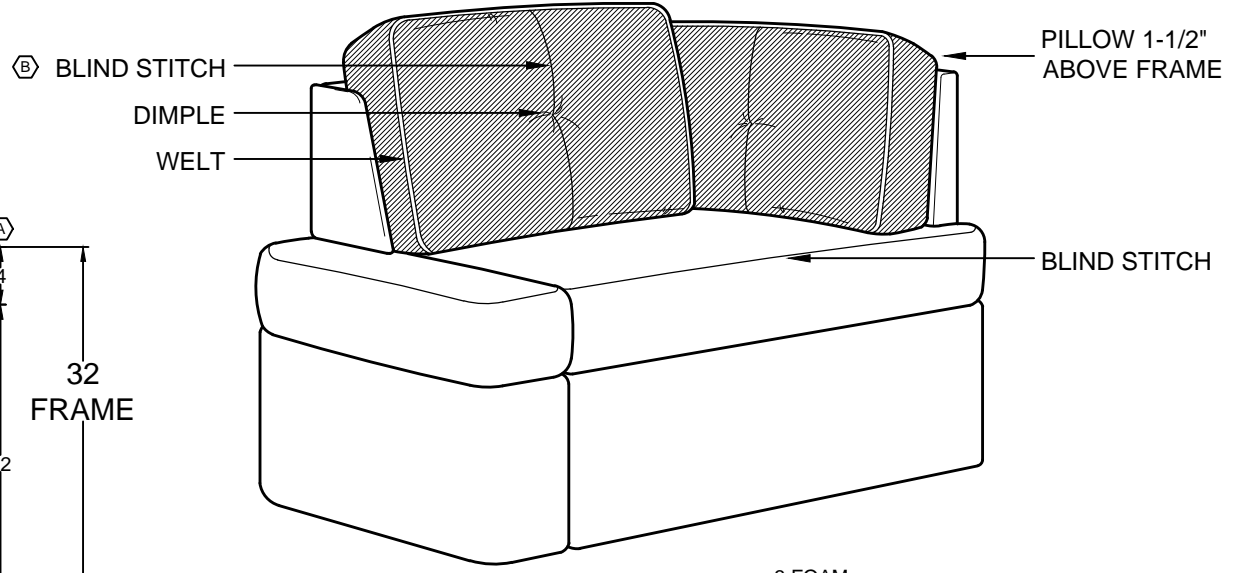
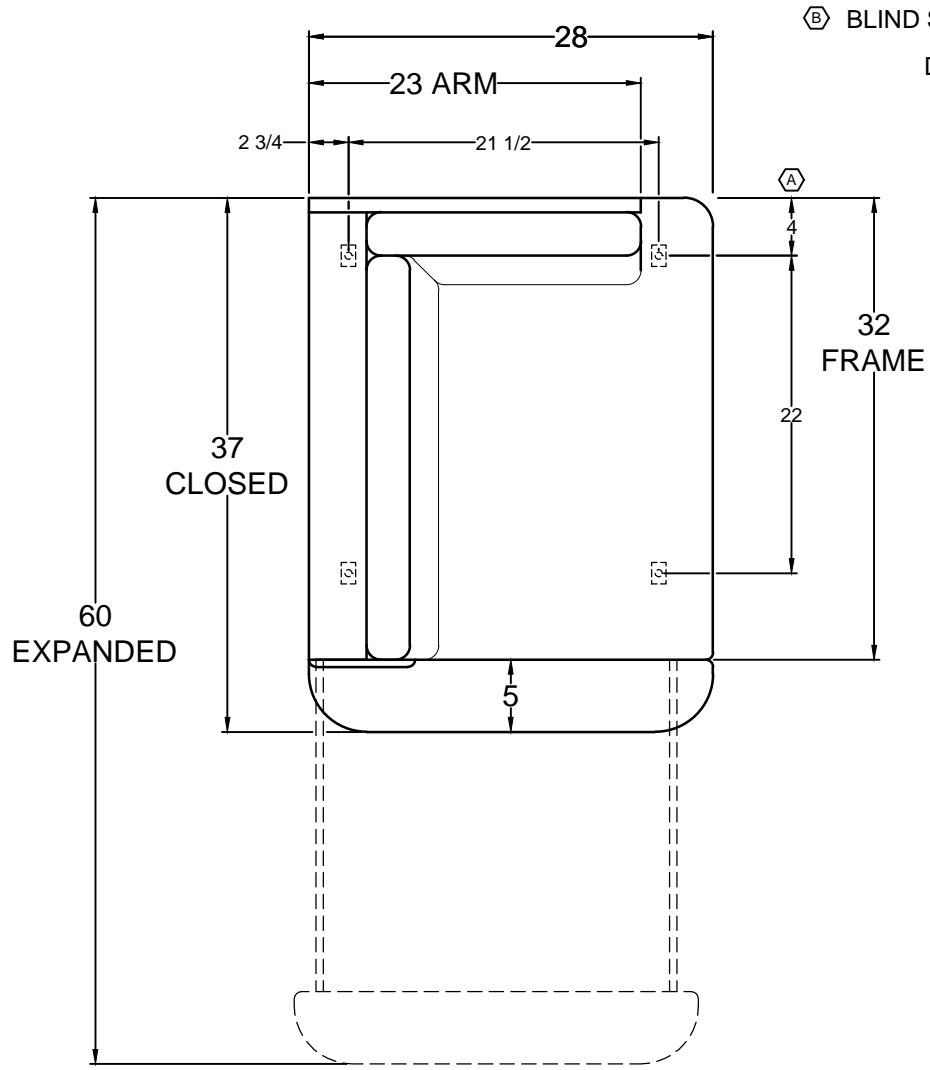


CUT PATTERN	
BACK FRAME NO.	
BASE FRAME NO.	
WOOD PATTERN	



VILLA INTERNATIONAL
 13760 Midway St.
 Cerritos, CA 90703
 Tel 562-404-8111
 Fax 562-404-7781

TITLE: **2024 LADP**
 28" x 37-60" ELECTRIC EXP. LAF
 DINETTE BENCH

DWG. NO. **VI3000916**
 REV. **C**
 APV **FTBM**
 DATE **12.12.22**
 12.22.22

J.ANCHETA

THIS DRAWING IS THE PROPERTY OF VILLA INTERNATIONAL MFG. ALL RIGHTS RESERVED.

SCALE 1:1
 DO NOT SCALE
 DRAWING.
 UNLESS OTHERWISE
 SPECIFIED DIMENSIONS
 ARE IN INCHES.

JA	C	PER RL, ADD 36 ILD TO SEAT CUSHION.	03.06.24
JA	B	PER RL, CHANGE BASEBALL STITCH TO BLIND STITCH.	07.07.23
JA	A	PER NN, CHANGE BOLT PATTERN DEPTH TO 4" & 22"; WAS 7" & 21-1/2".	05.09.23
REVISIONS			