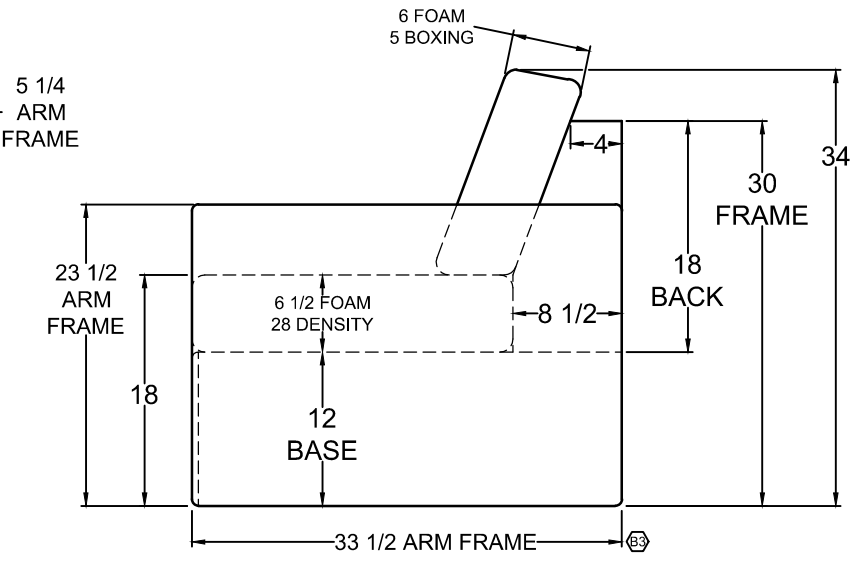
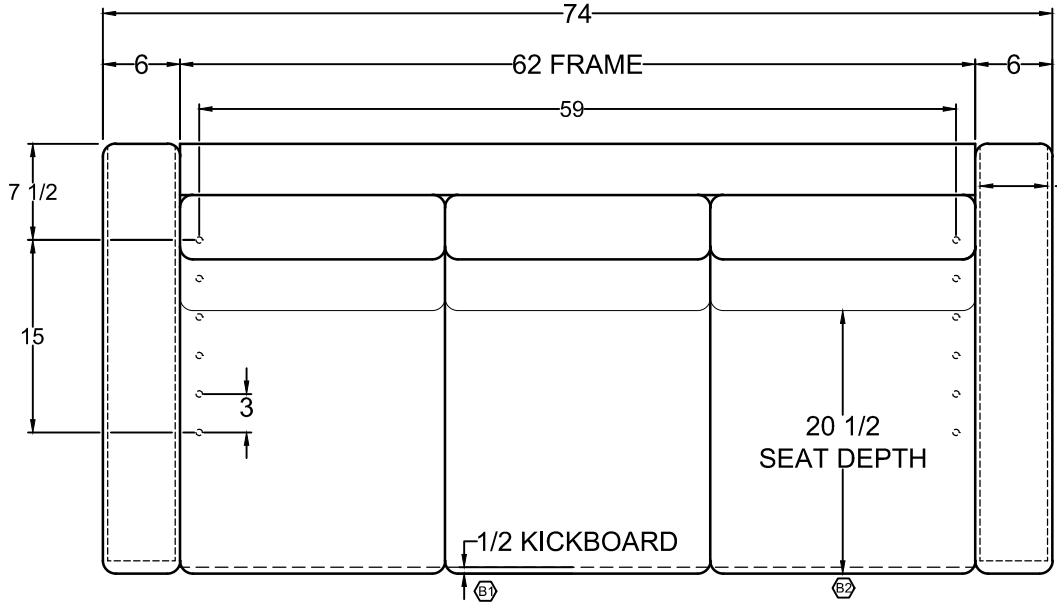
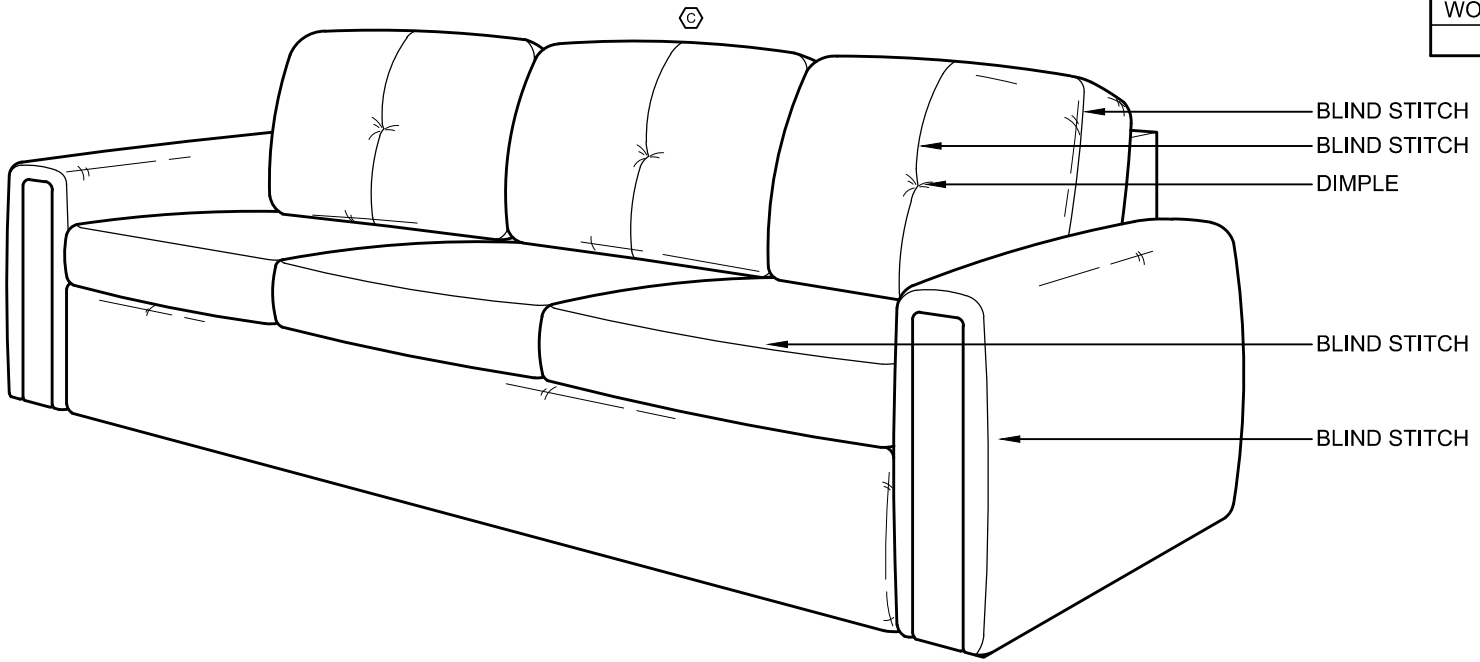


CUT PATTERN	
BACK FRAME NO.	
BASE FRAME NO.	
WOOD PATTERN	



***NOTE :** BED DIMENSIONS 52"(w) x 72"(d)

VILLA INTERNATIONAL
 13760 Midway St.
 Cerritos, CA 90703
 Tel 562-404-8111
 Fax 562-404-7781

TITLE	2024 LADP CSA - 74" SOFA BED	DWG. NO.	VI1000973	REV.	C	APV	FTBM
DR	J.ANCHETA	DATE	01.28.22	01.31.22			

SCALE 1:1
 DO NOT SCALE DRAWING.
 UNLESS OTHERWISE SPECIFIED DIMENSIONS ARE IN INCHES.

REV	BY	DESCRIPTION	DATE
JA C		PER RL. CHANGE TO 3-CUSHION BACK SOFA.	JA
JA B		[1] CHANGE KICKBOARD DEPTH TO 1/2"; WAS 2-1/2". [2] CHANGE SEAT DEPTH TO 20-1/2"; WAS 22". [3] CHANGE ARM FRAME DEPTH TO 33-1/2"; WAS 35-1/2". (REF. ECO# 006-2022)	03.14.22
JA A		PER RL. ADD BED DIMENSIONS NOTE TO DRAWING.	02.22.22

REVISIONS