

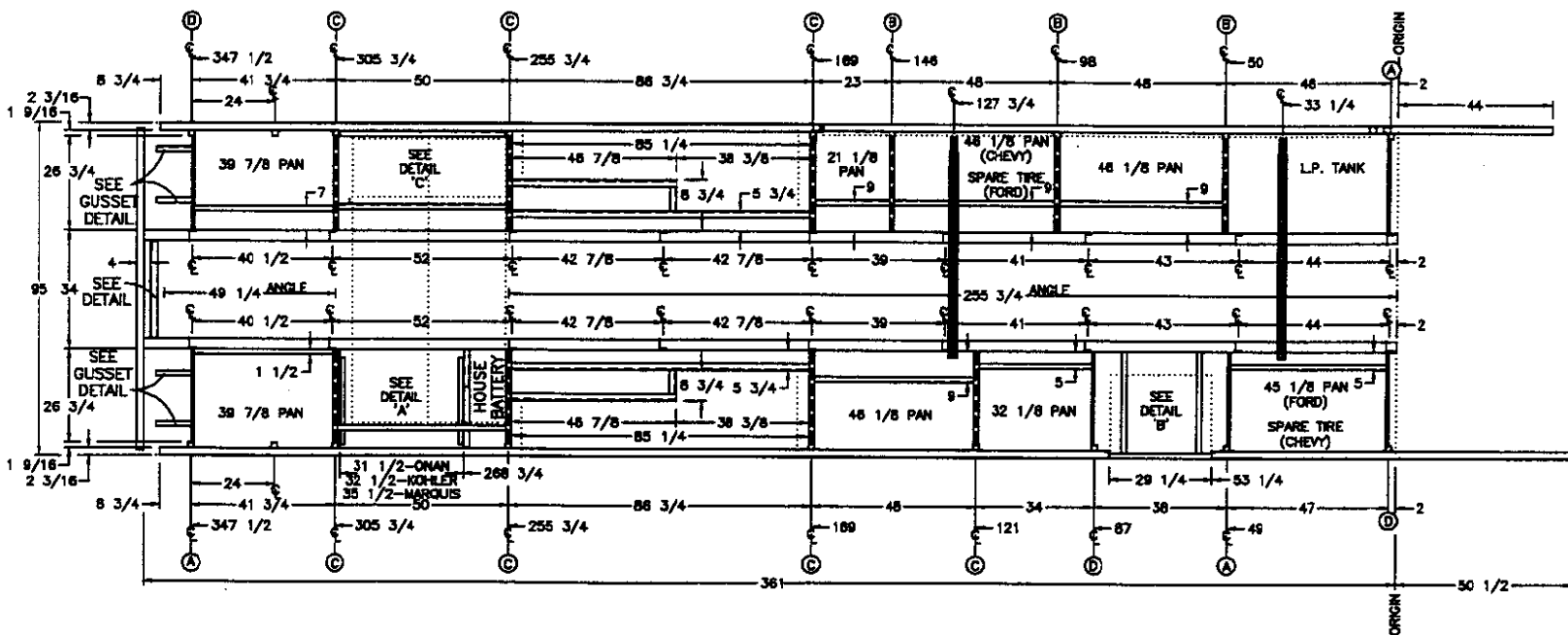
AWNING SIZE: 19 FT.

NOTE  
ALL WALLS, PARTITIONS, & CEILING HAVE  
CLASS 'C' (800) FLAME SPREAD RATING

ALL INTERIOR PASSAGE DOORS ARE NON-LOCKING

- SYMBOLS
- ◻ - WARM AIR REGISTER
  - TV - WATER INLET
  - ⊥ - GAS INLET
  - ⊥ - ELECTRICAL INLET
  - E - EGRESS
  - ⊙ - C.O. DETECTOR
  - ⊙ - EXHAUST
  - ⊙ - L.P. GAS DETECTOR
  - ↑ - SEWAGE DRAIN
  - ⊙ - SMOKE DETECTOR
  - ⊙ - FIRE EXTINGUISHER (10 LB C MIN)
  - ◆ - INSIGNIAS (STATE & RVA)
  - △ - FUEL TANK FILL
  - ⊞ - MIRROR DOOR(S)
  - - TYPE 1 SEATBELT

<b>NEWMAR CORP</b> P.O. Box 30, Napanee, IN. 46550 Title block--3125TB	'97 Model: DA 3658 Title: FLOOR PLAN	Sheet 1 OF 3 I.D. # P/DA/ 73658	Drawn by: BRETT Date: 3/13/96	Checked by:  Date: 7-18	Revision: SLIDEOUT DEPTH DIM./"OVERALL LENGTH" Revision: FIRE EXTINGUISHER & L.P. DETECTOR	By: BRETT Date: 7/15 By: BRETT Date: 7/9
---------------------------------------------------------------------------------	-----------------------------------------------	------------------------------------------	----------------------------------------	----------------------------------	-----------------------------------------------------------------------------------------------	---------------------------------------------------



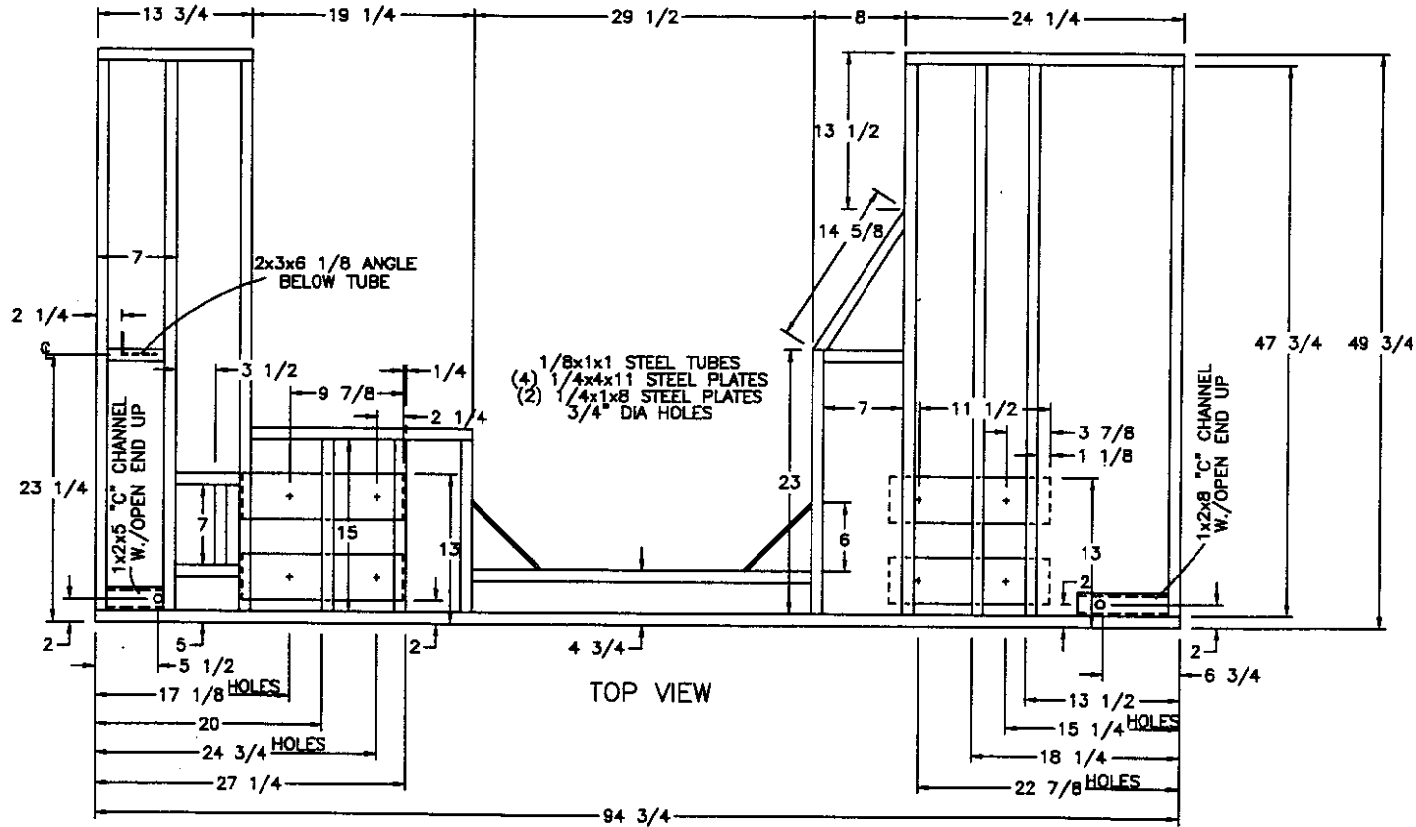
TORQUE REQUIREMENTS FOR FORD FUEL SYSTEMS  
 FUEL TANK: 85-87 FT. LBS.  
 SENDING UNIT: 85-115 IN. LBS.  
 FUEL LINE CLAMPS: 25-35 IN. LBS.

NOTE:  
 ALL DIMENSIONS ARE FROM 'ORIGIN'  
 ○ DENOTES OUTRIGGER DETAILS  
 214 WHEEL BASE W/TAG

○ DENOTES CRITICAL

<b>NEWMAR CORP</b> P.O. Box 30, Nappanee, IN. 46550 Title block--3125TB	'97 Model: DA 3658	Sheet 1 OF 1	Drawn by: BRET	Checked by: RS	Revision:	By:
	Title: FRAME LAY-OUT	I.D. # P/DA/ 73658	Date: 3/7/96	Date: 5-28	Revision:	Date:

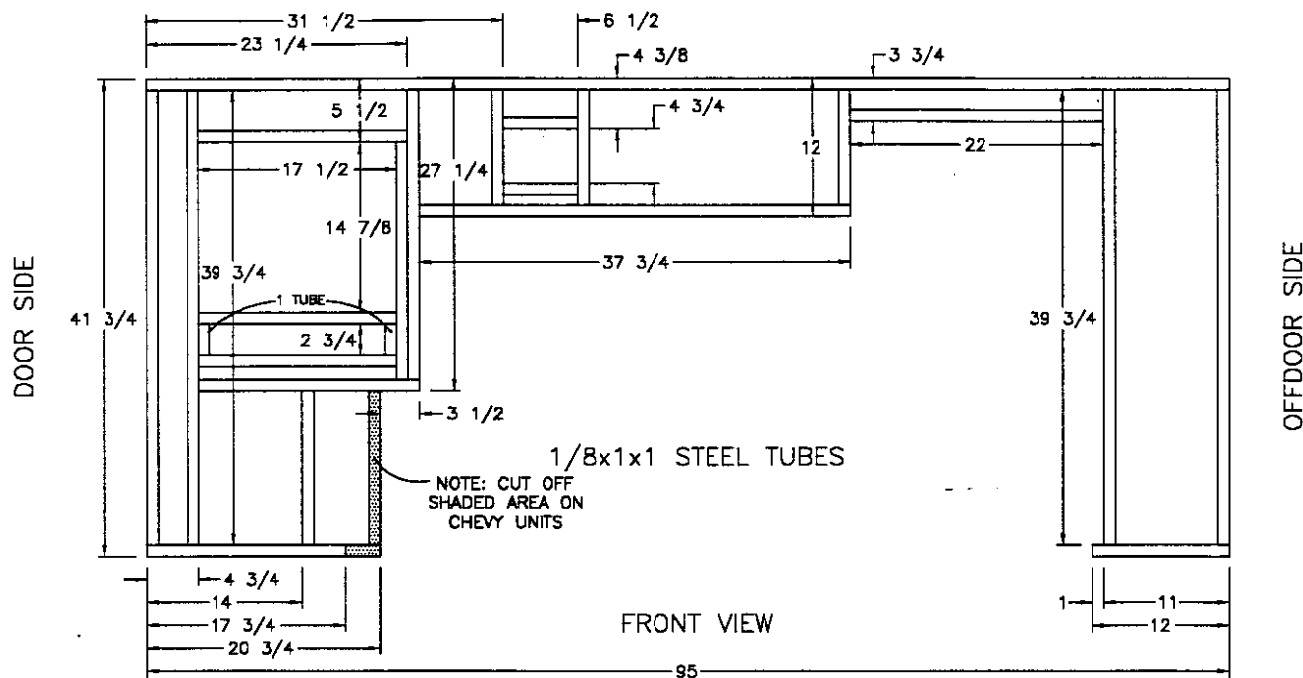
OFFDOOR SIDE



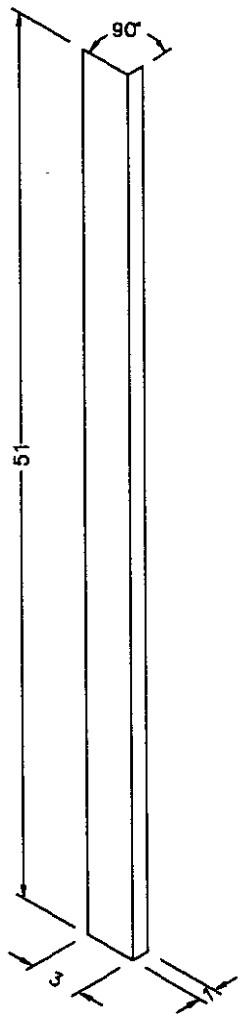
DOOR SIDE

TOP VIEW

<b>NEWMAR CORP</b> P.O. Box 30, Nappanee, IN. 46550 Title block--1TB	'97 Model: <b>DA'S</b>	Sheet <b>1 OF 1</b>	Drawn by: <b>BRETT</b>	Checked by: <i>B</i>	Revision: <b>DOWNSIZE WIDTH 1/4" FOR 'Z' RAIL</b>	By: <b>BRETT</b>
	Title: <b>DOGHOUSE</b>	I.D. # <b>F/DA/ 7DH</b>	Date: <b>2/19/96</b>	Date: <b>5-27</b>	Revision:	Date: <b>5/29</b>



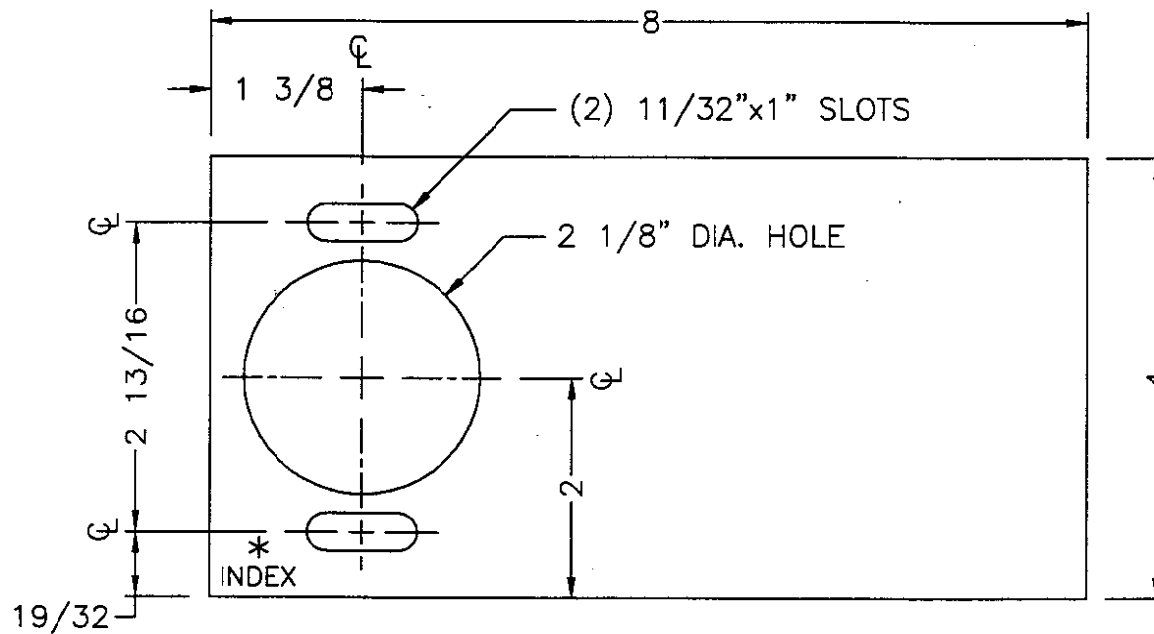
<b>NEWMAR CORP</b> P.O. Box 30, Nappanee, IN. 46550 Title block--1TB	'97 Model: DA'S	Sheet 1 OF 1	Drawn by: BRETT	Checked by: B	Revision: REVISED ODS TO ACCOMODATE FORD CHASSIS	By: BRETT
	Title: FIREWALL	I.D. # F/DA/ 7FW	Date: 2/19/96	Date: 7-22	Revision: OFFDOOR SIDE BOTTOM TUBE • 12 WAS 11	Date: 6/24
						By: BRETT Date: 7/22



- NOTE -  
 PART #: 27875  
 14 GAGE STEEL  
 (2 REQ'D. PER UNIT)

MOUTAIN AIRE '95, '96, '97  
 DUTCH STAR '96, '97  
 KOUNTRY STAR '97

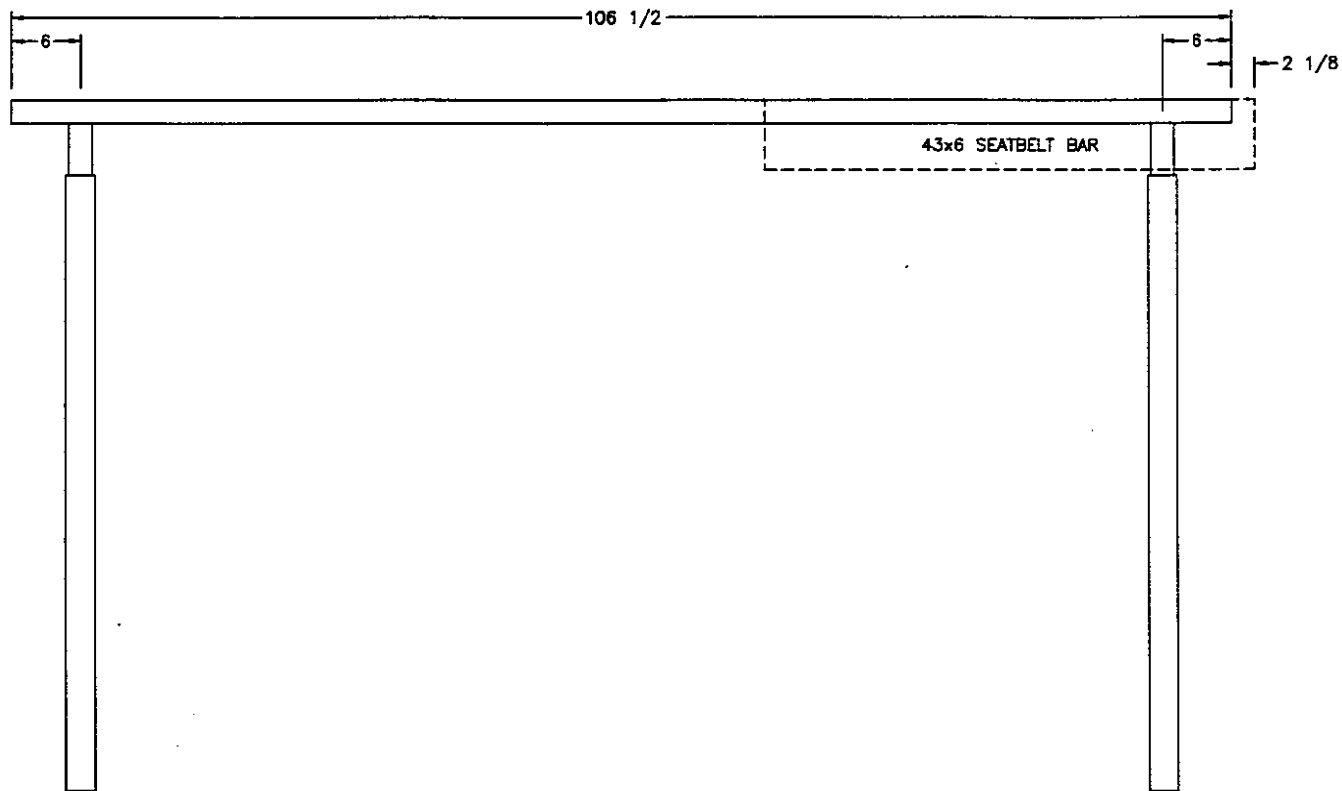
<b>NEWMAR CORP</b> P.O. Box 30, Napanee, IN. 46550 Title block--1-5TB	'97 Model: SEE ABOVE	Sheet 1 OF 1	Drawn by: MIKE D.	Checked by: <i>[Signature]</i>	Revision: CHANGE OVERAALL LENGTH FROM 41 3/4" TO 51" (PCR #97900)	By: MIKE D. Date: 10/4
	Title: FIRE WALL EXTENSION	I.D. # FM/PARTS 7FWEXT	Date: 10/4/96	Date: 10-4	Revision:	By: Date:



- NOTES -

- 1.) MATERIAL 3/16"x4"x8" HR STEEL PLATE
- 2.) (4) REQUIRED PER SLIDE-OUT ROOM
- 3.) PART #RPBB-2

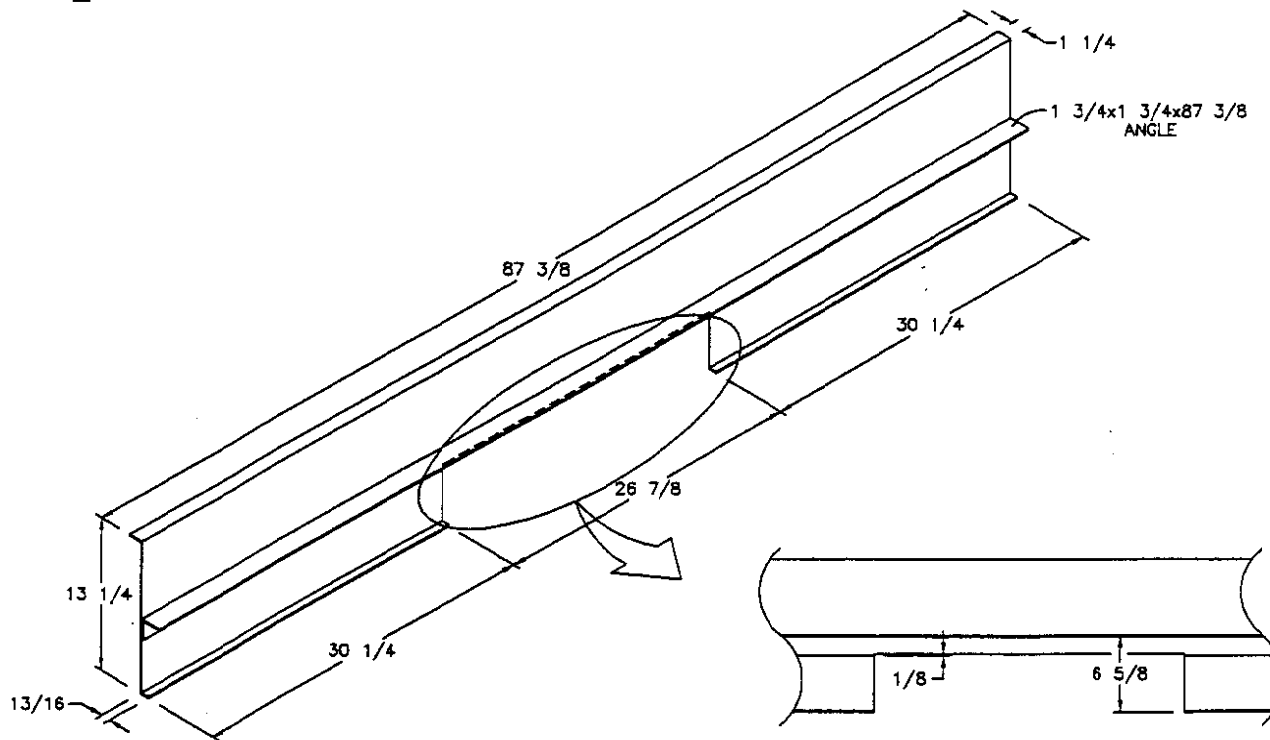
<b>NEWMAR CORP</b> P.O. Box 30, Nappanee, IN. 46550 Title block--1-2fuTB	'97 Model: RACK & PINION S/O (MOTORIZED)	Sheet 1 OF 1	Drawn by: MIKE D.	Checked by: WJM	Revision:	By:
	Title: BEARING BRACKET	I.D. # MISC\4\ BRNGBRKT	Date: 10/24/96	Date: 10-24	Revision:	Date:



DA 3455  
DA 3658

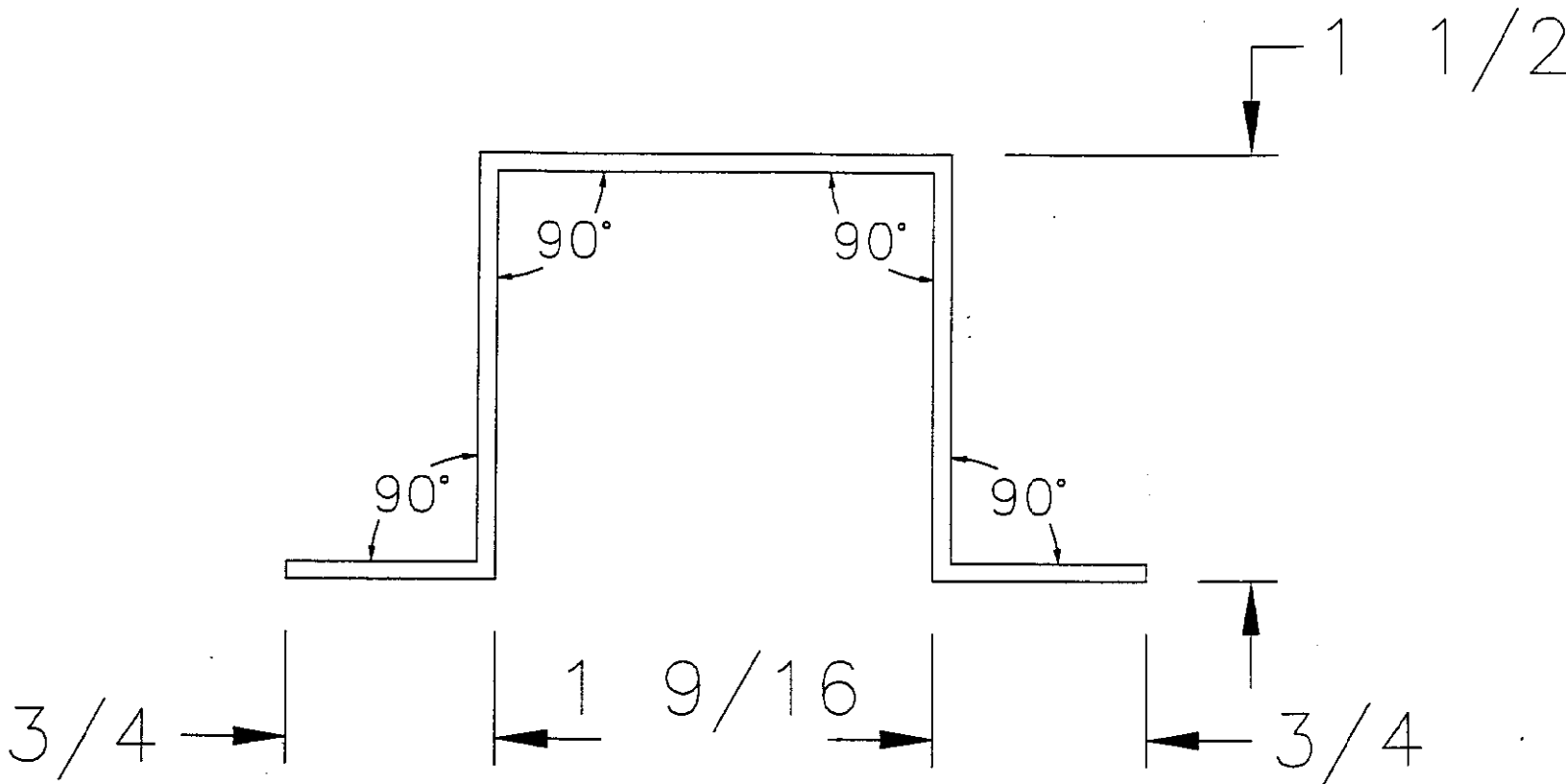
<b>NEWMAR CORP</b> P.O. Box 30, Napanee, IN. 46550 Title block--1TB	'97 Model:	Sheet	Drawn by:	Checked by:	Revision:	By:
	SEE UNITS ABOVE	1 OF 1	BRETT	RS		Date:
Title:	I.D. # F/DA/	Date:	Date:	Revision:	By:	Date:
SLIDE-OUT BAR	73455SOB	2/19/96	5-28			

PART # 94SD-06-1D-17  
 11 GAUGE MATERIAL  
 ALL ANGLES 90° ± 1'



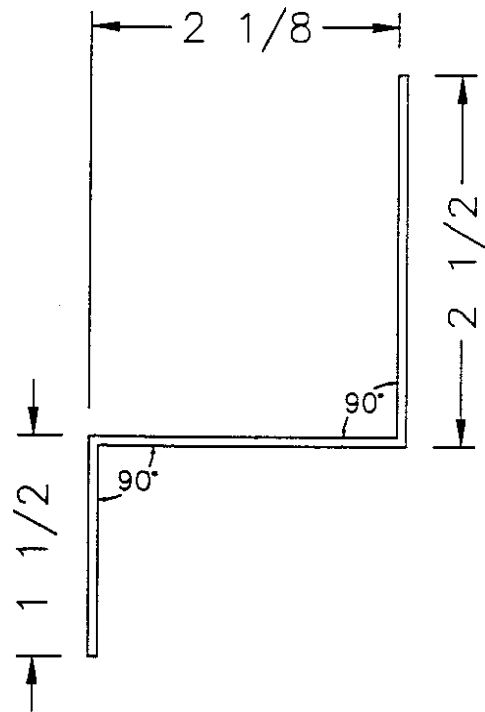
<b>NEWMAR CORP</b> P.O. Box 30, Neppanee, IN. 46550	'97 Model:	Sheet	Drawn by:	Checked	Revision:	By:
	DA S	1 OF 1	BRETT	PS		
Title block--ITB FRONT CROSSMEMBER	Title:	I.D. #	Date:	Date:	Revision:	By:
		7FXM	2/19/96	5-29		





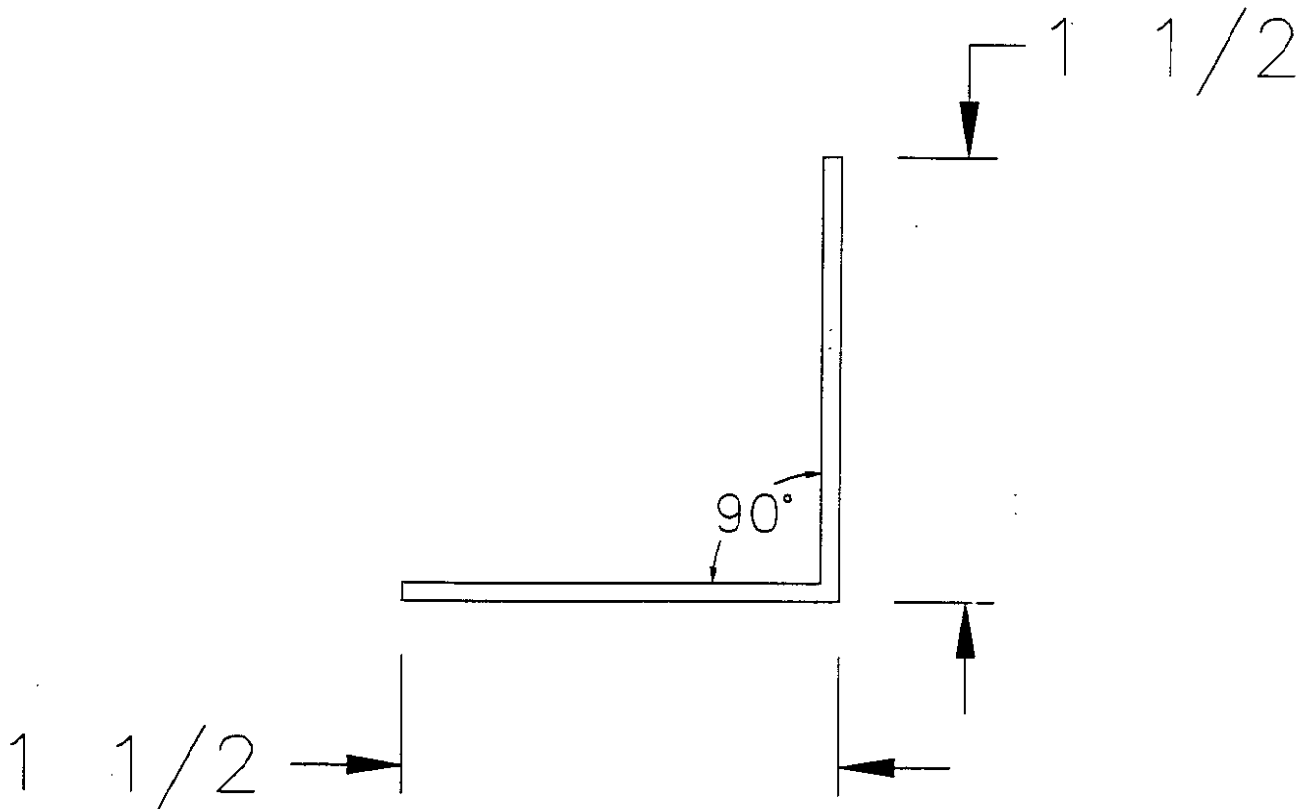
14 GAUGE MATERIAL  
KAMPCO PART # 5682

<b>NEWMAR CORP</b> P.O. Box 30, Nappanee, IN. 46550 Title block--1-2fuitB	'97 Model:	Sheet	Drawn by:	Checked	Revision:	By:
	MOTORIZED	1 OF 1	BRETT	ES		Date:
	Title:	I.D. # F/DA/	Date:	Date:	Revision:	By:
	HAT SECTION	7HAT	2/19/96	5-28		Date:



PART # 94SD-15-1U10  
 14 GAUGE MATERIAL

<b>NEWMAR CORP</b> P.O. Box 30, Nappanee, IN. 46550 Title block--1-2fuTB	'97 Model:	Sheet	Drawn by:	Checked by:	Revision:	By:
	MOTORIZED	1 OF 1	BRETT	RS		
	Title:	I.D. #	Date:	Date:	Revision:	By:
	TOP RAIL	F/DA/ 77	2/19/96	5-28		



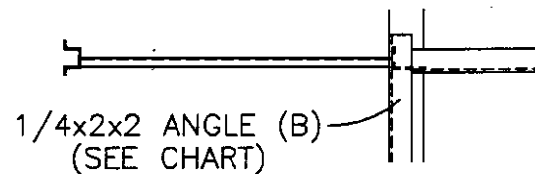
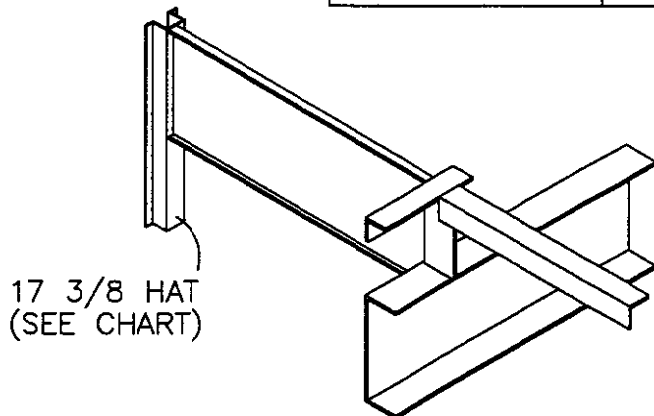
14 GAUGE MATERIAL  
KAMPCO PART # 5682

<b>NEWMAR CORP</b> P.O. Box 30, Nappanee, IN. 46550 Title block--1-2:uftB	'97 Model:	Sheet	Drawn by: —	Checked by:	Revision:	By:
	MOTORIZED	1 OF 1	BRETT	RS		
Title: BOTTOM RAIL	i.D. #	Date:	Date:	Revision:	By:	Date:
	F/DA/ 7BR	2/19/96	5-28			

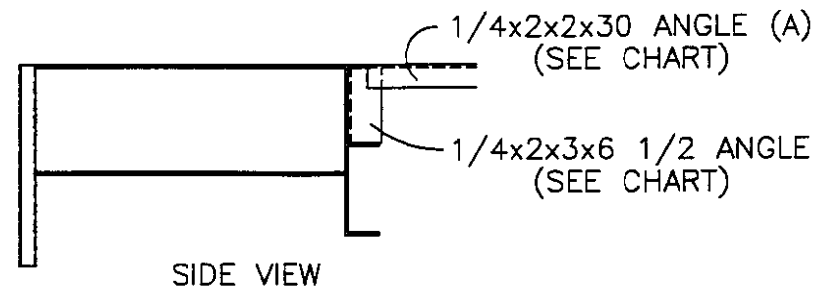
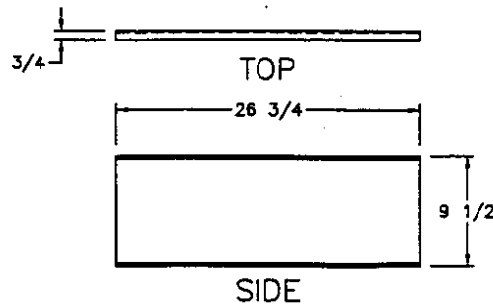
OUTRIGGER (A)  
(3) REQ'D

14 GAUGE MATERIAL  
FOR OUTRIGGERS

UNIT	2x3 ∠	17 3/8 HATS	2x2 ∠ (A)	2x2 ∠ (B)
DA 3106(FORD)				
DA 3106(CHEVY)				
DA 3255				
DA 3401				
DA 3450				
DA 3455	18 REQ'D	15 REQ'D	9 REQ'D	(2) @ 206 / (2) @ 75
DA 3658	18 REQ'D	15 REQ'D	9 REQ'D	(2) @ 255 3/4 / (2) @ 49 1/4



TOP VIEW

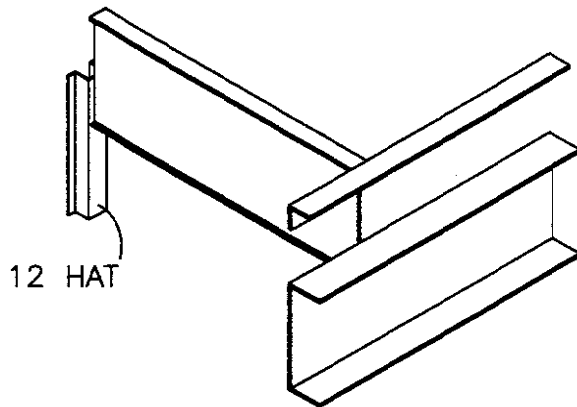


NOTE: (4) REAR HAT SECTIONS  
TO BE CUT TO LENGTH

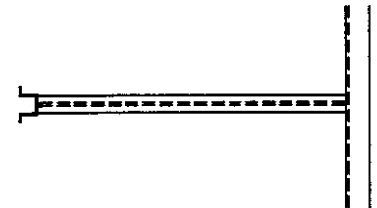
<b>NEWMAR CORP</b> P.O. Box 30, Nappanee, IN. 46550 Title block--1TB	'97 Model:	Sheet	Drawn by:	Checked by:	Revision:	By:
	DA'S	1 OF 1	BRETT	PS		Date:
Title:	I.D. # F/DA/	Date:	Date:	Revision:	By:	Date:
OUTRIGGER DETAIL 'A'	70RA	3/8/96	5-28			

OUTRIGGER (B)  
(3) REQ'D

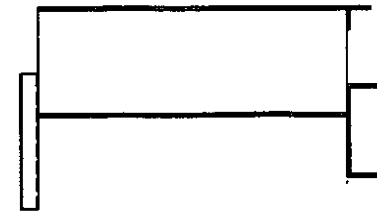
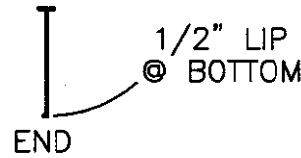
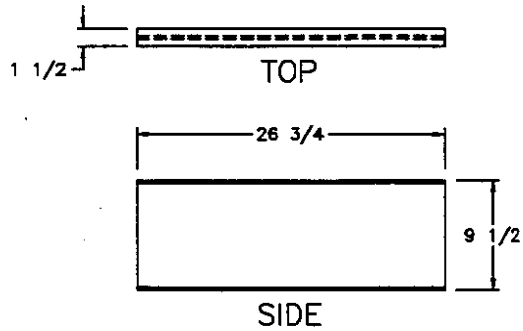
14 GAUGE MATERIAL  
FOR OUTRIGGERS



12 HAT



TOP VIEW



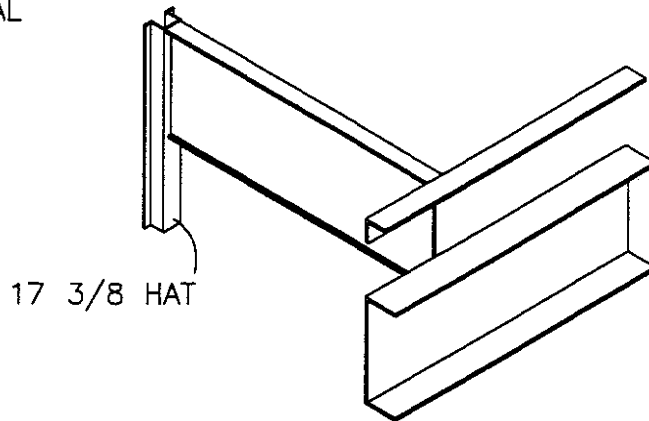
SIDE VIEW

DA 3455  
DA 3658

<b>NEWMAR CORP</b> P.O. Box 30, Nappanee, IN. 46550 Title block---1TB	'97 Model:	Sheet	Drawn by:	Checked by:	Revision:	By:
	SEE UNITS ABOVE	1 OF 1	BRETT	PS		Date:
Title:	I.D. # F/DA/	Date:	Date:	Revision:		By:
OUTRIGGER DETAIL 'B'	70RB	2/19/96	5-28			Date:

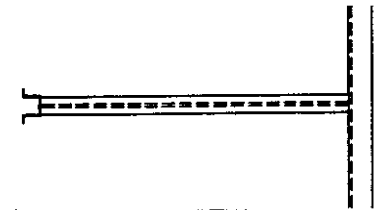
OUTRIGGER (C)  
(SEE CHART)

14 GAUGE MATERIAL  
FOR OUTRIGGERS



17 3/8 HAT

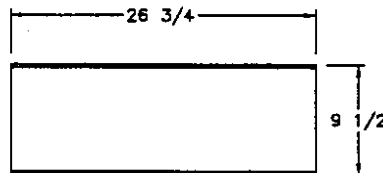
UNIT	OUTRIGGERS
DA 3106(FORD)	
DA 3106(CHEVY)	
DA 3255	
DA 3401	
DA 3450	
DA 3455	7 REQ'D
DA 3658	7 REQ'D



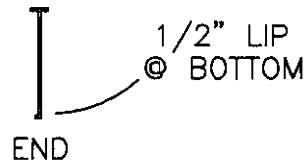
TOP VIEW



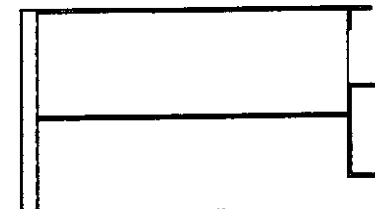
TOP



SIDE



END

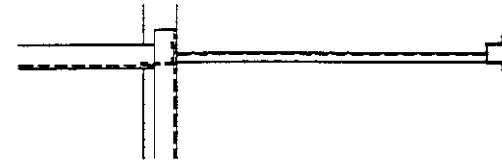
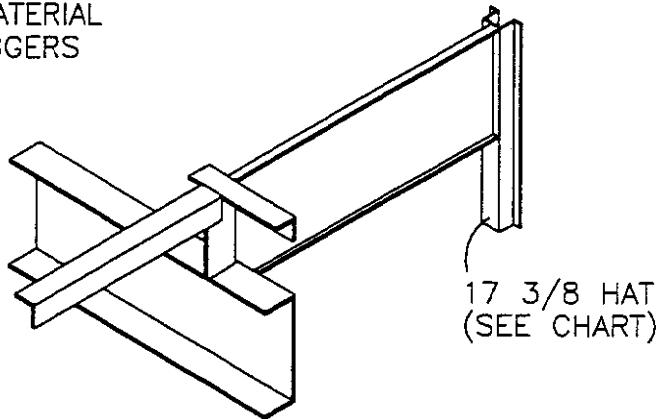


SIDE VIEW

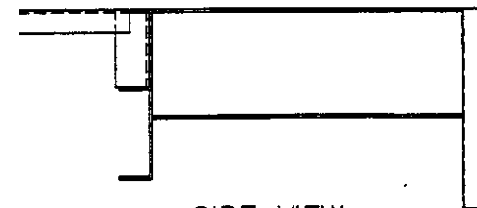
<b>NEWMAR CORP</b> P.O. Box 30, Nappanee, IN. 46550  Title block--1TB	'97 Model:	Sheet	Drawn by:...	Checked by:	Revision:	By:
	DA'S	1 OF 1	BRETT	RS	←	Date:
	Title:	I.D. # F/DA/	Date:	Date:	Revision:	By:
	OUTRIGGER DETAIL 'C'	70RC	2/19/96	5-28		Date:

OUTRIGGER (D)  
(3) REQ'D

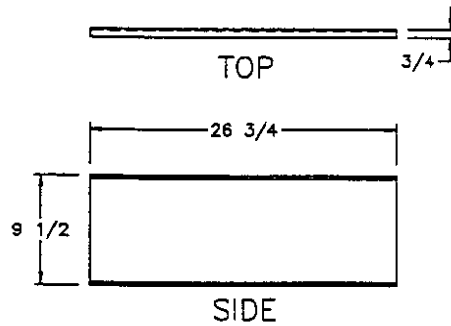
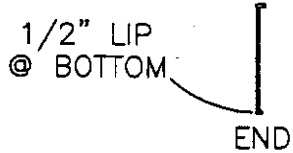
14 GAUGE MATERIAL  
FOR OUTRIGGERS



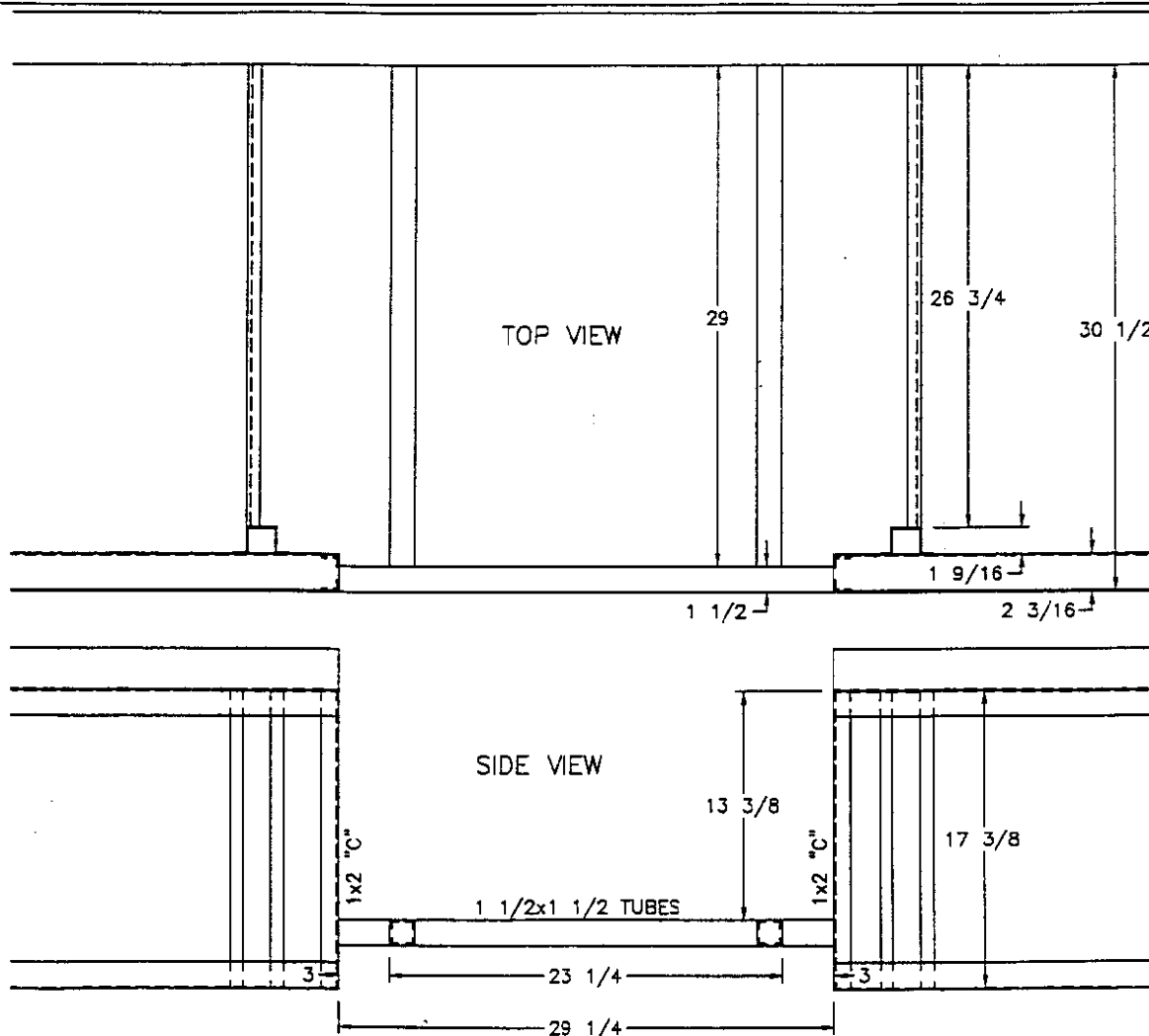
TOP VIEW



SIDE VIEW



<b>NEWMAR CORP</b> P.O. Box 30, Nappanee, IN. 46550 Title block—1TB	'97 Model: <b>DA S</b>	Sheet <b>1 OF 1</b>	Drawn by: — <b>BRETT</b>	Checked by: <i>RS</i>	Revision:	By:
	Title: <b>OUTRIGGER DETAIL 'D'</b>	I.D. # F/DA/ <b>70RD</b>	Date: <b>2/19/96</b>	Date: <b>5-28</b>	Revision:	Date:
	Revision:					



NEWMAR CORP  
P.O. Box 30,  
Nappanee, IN. 46550

'97 Model:  
DA'S

Title:

STEP DETAIL 'B'

Sheet

1 OF 1

I.D. # F/DA/

7STP

Drawn by:

BRETT

Date:

2/20/96

Checked:

↙

Date:

5-28

Revision:

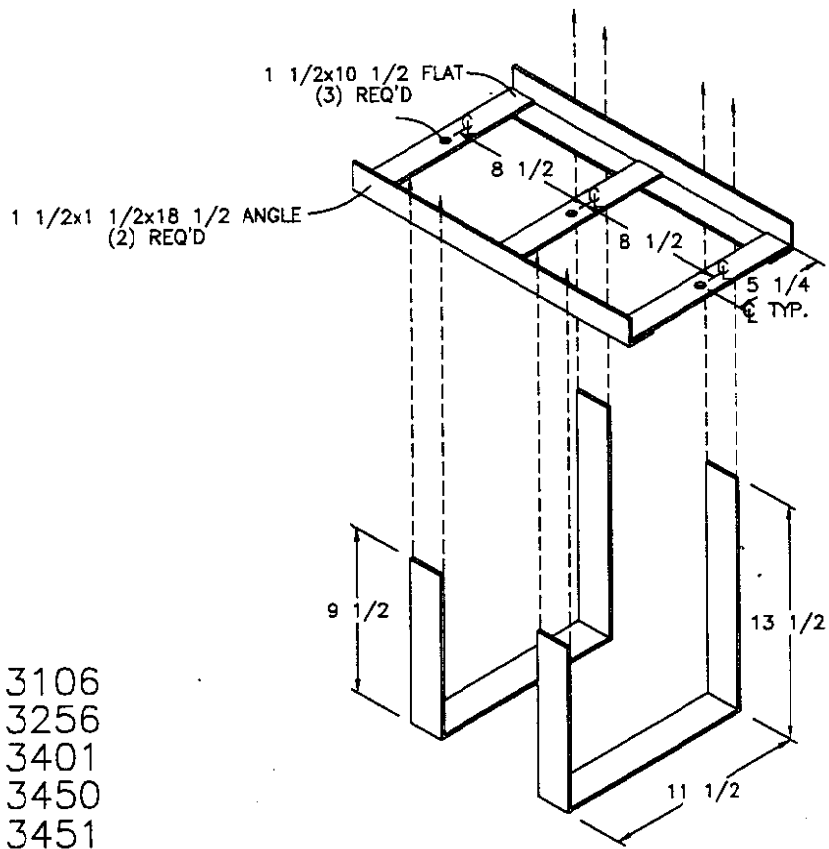
←

Revision:

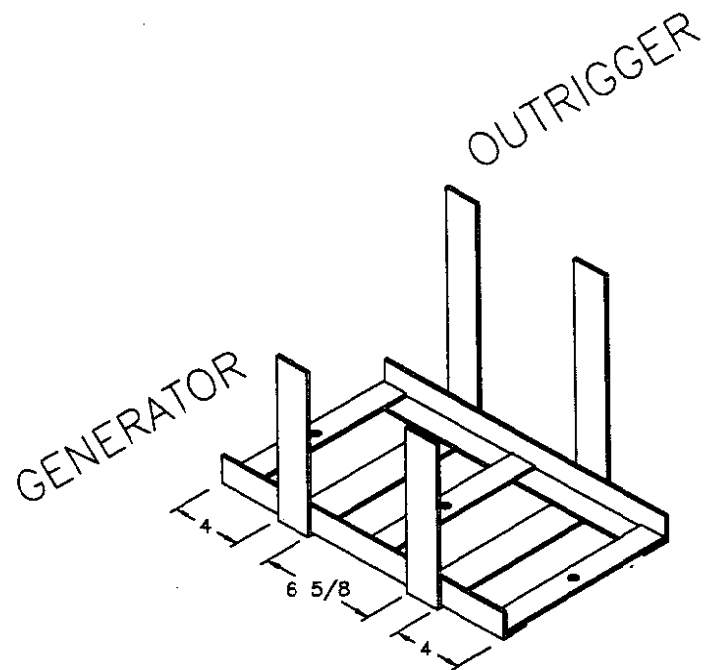
By:

By:





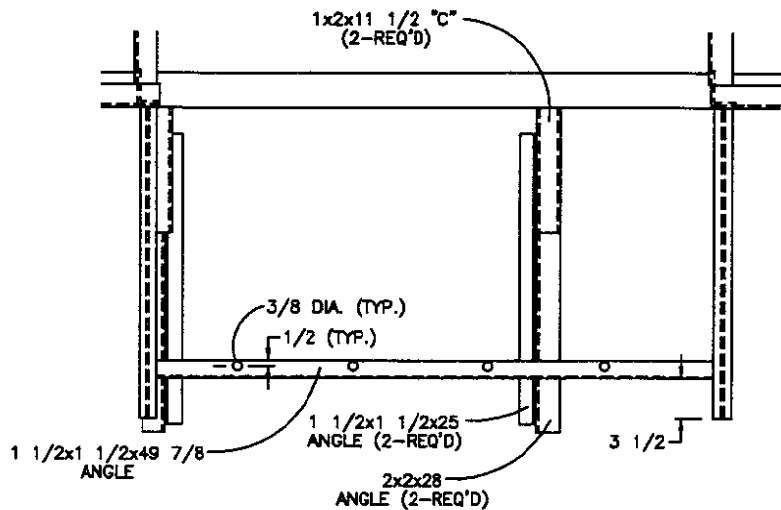
ALL MATERIAL @ 3/16"



- DA 3106
- DA 3256
- DA 3401
- DA 3450
- DA 3451
- DA 3455
- DA 3658
- DA 3682

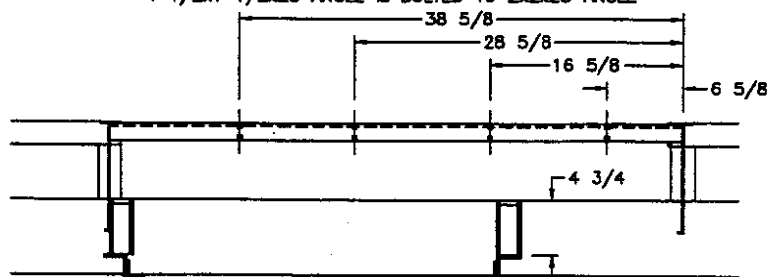
(2) 2x34 1/2 STRAPS

<b>NEWMAR CORP</b> P.O. Box 30, Nappanee, IN. 46550 Title block--1-5TB	'97 Model:	Sheet	Drawn by:	Checked by:	Revision: DELETED WELD'G OF CARRIAGE BOLT (PCR #971539)	By: BRETT
	SEE UNITS ABOVE	1 OF 1	BRETT	WJM		Date: 3/17
Title:	I.D. #	Date:	Date:	Date:	Revision:	By:
HOUSE BATTERY CARRIAGE	F/DA/ 7HB	2/19/96	3-17 9/5			Date:

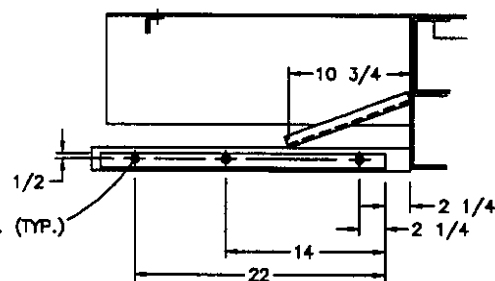
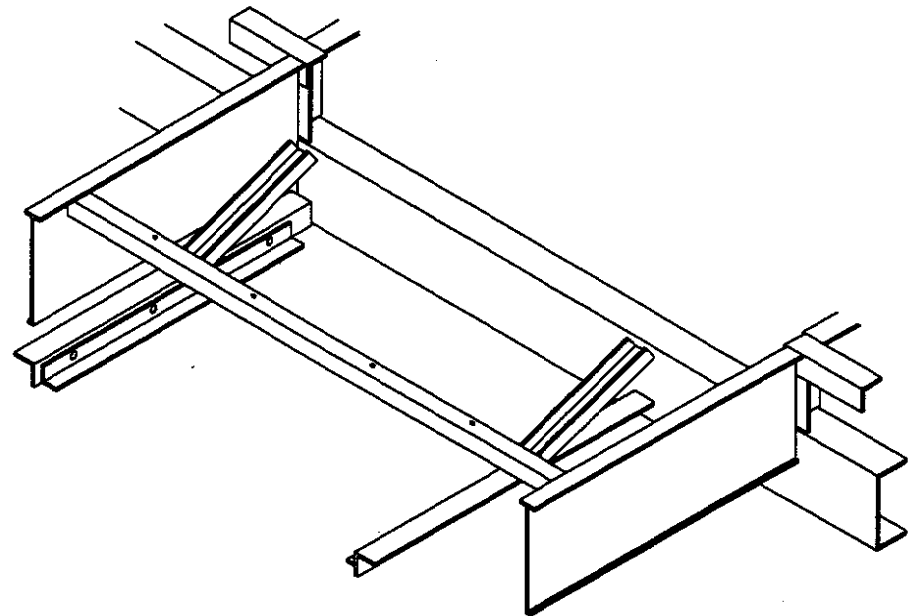


TOP VIEW

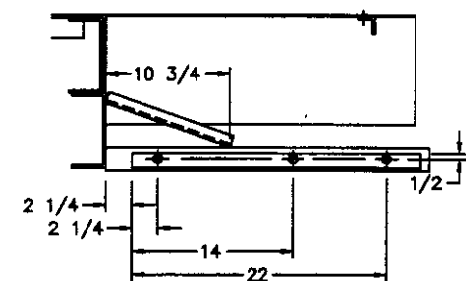
NOTE  
1 1/2x1 1/2x25 ANGLE IS BOLTED TO 2x2x28 ANGLE



DOOR SIDE-FACING VIEW

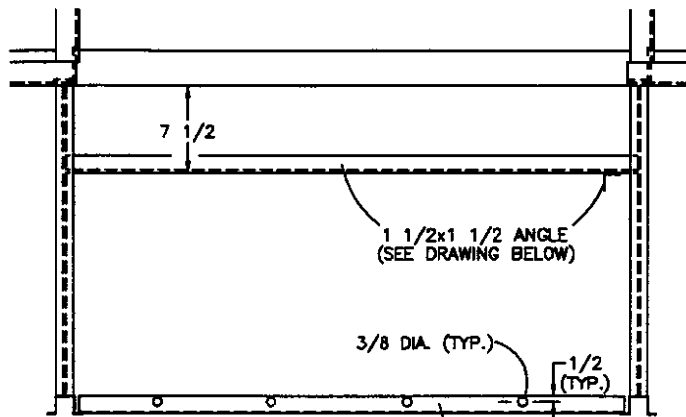


REAR-FACING SIDE VIEW



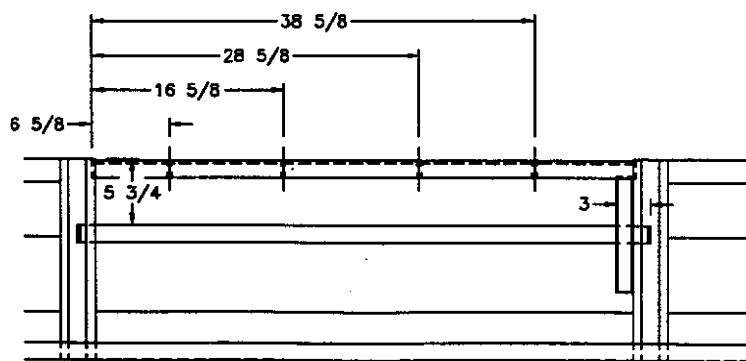
FRONT-FACING SIDE VIEW

<b>NEWMAR CORP</b> P.O. Box 30, Nappanee, IN. 46550 Title block---1TB	'97 Model:	Sheet	Drawn by:	Checked by:	Revision:	By:
	DA 3658	1 OF 1	BRETT	RS		Date:
	Title:	I.D. # F/DA/	Date:	Date:	Revision:	By:
	GENERATOR DETAIL 'A'	7GEN1	3/8/96	5-28		Date:

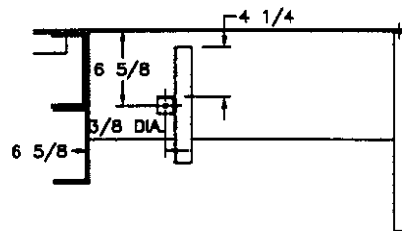


TOP VIEW

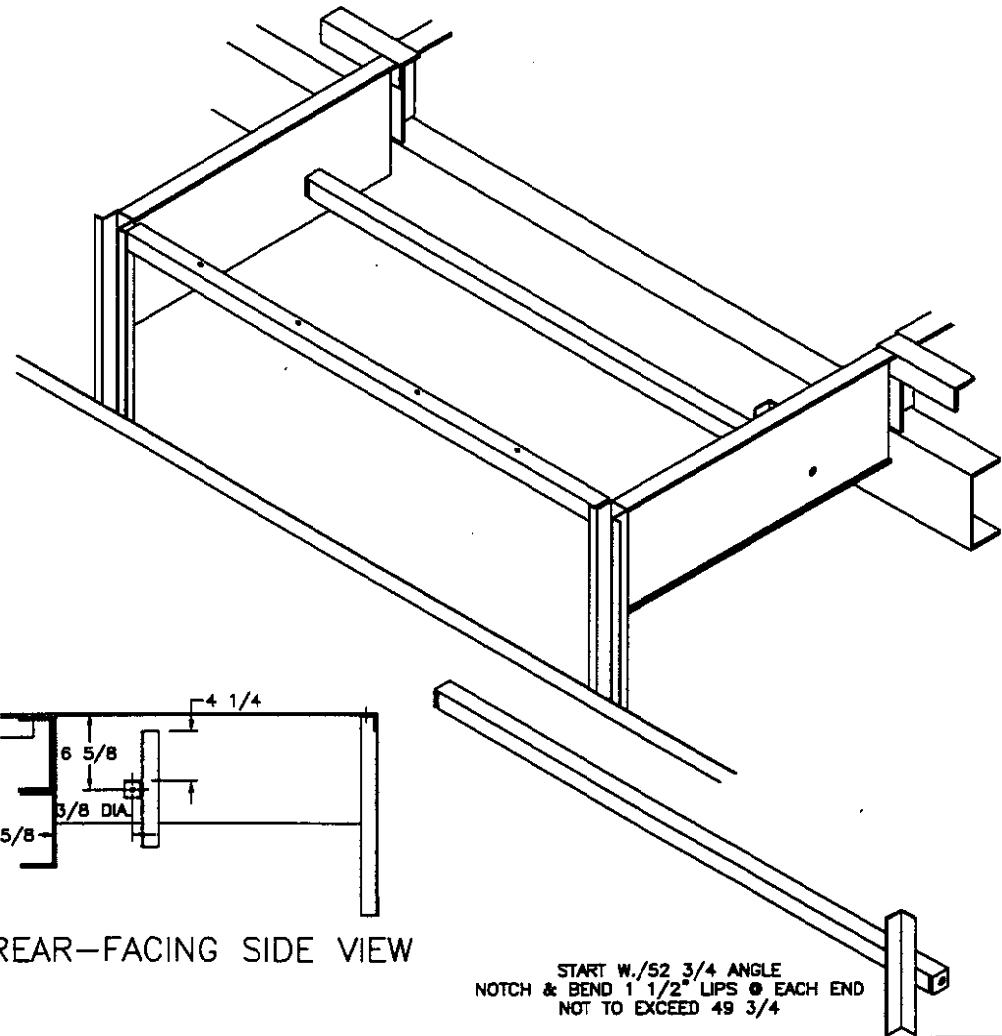
1 1/2x1 1/2x47 1/2 ANGLE  
WELDED TO HATS & "Z"



OFFDOOR SIDE-FACING VIEW



REAR-FACING SIDE VIEW



START W./52 3/4 ANGLE  
NOTCH & BEND 1 1/2" LIPS @ EACH END  
NOT TO EXCEED 49 3/4

**NEWMAR CORP**  
P.O. Box 30,  
Nappanee, IN. 48550

Title block---1TB

'97 Model:

DA 3658

Title: ODS HOLD'G TANK  
DETAIL 'C'

Sheet

1 OF 1

I.D. # F/DA/  
7HT1

Drawn by:

BRETT

Date:  
3/8/96

Checked by:

RS

Date:  
5-28

Revision:

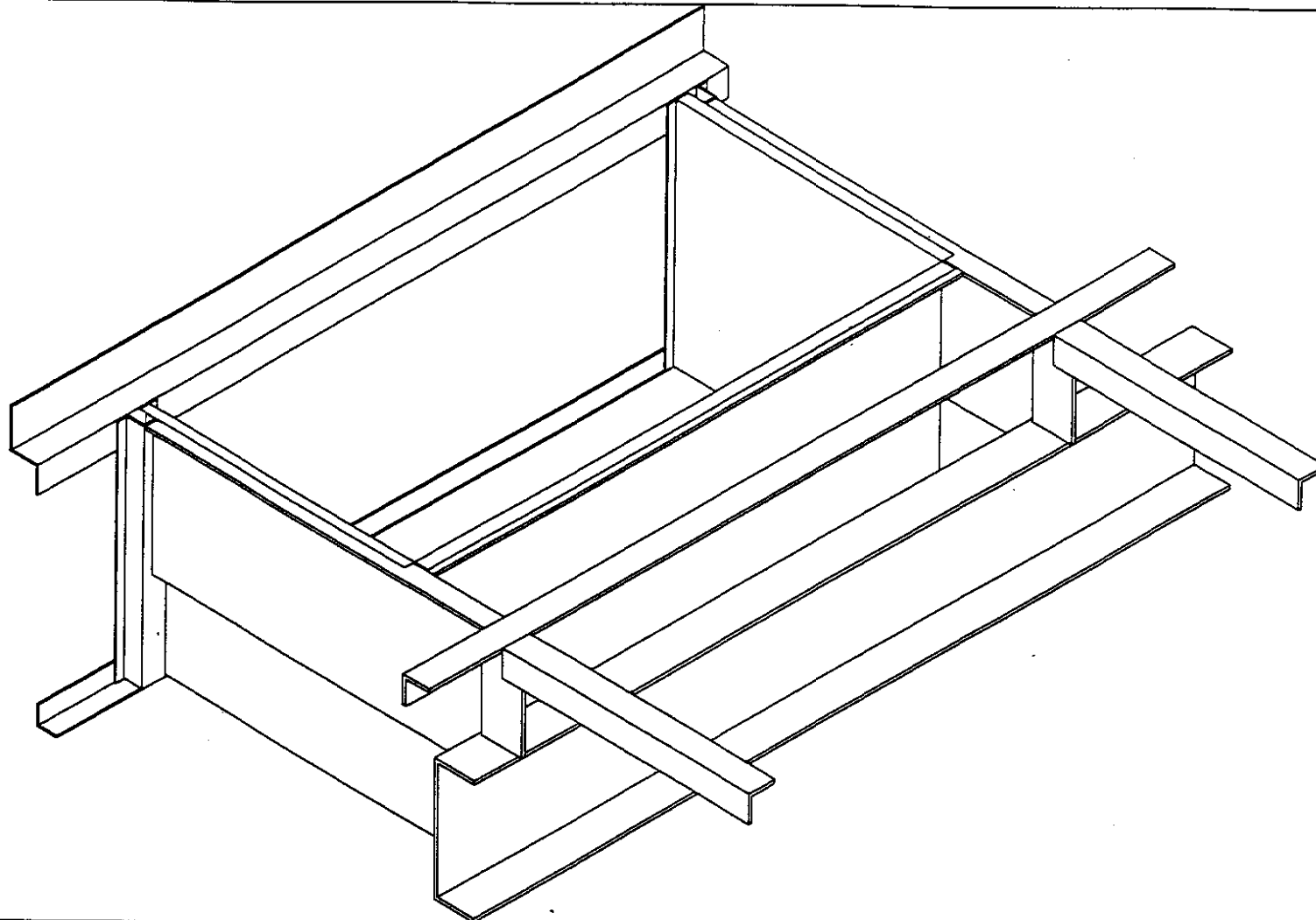
Revision:

By:

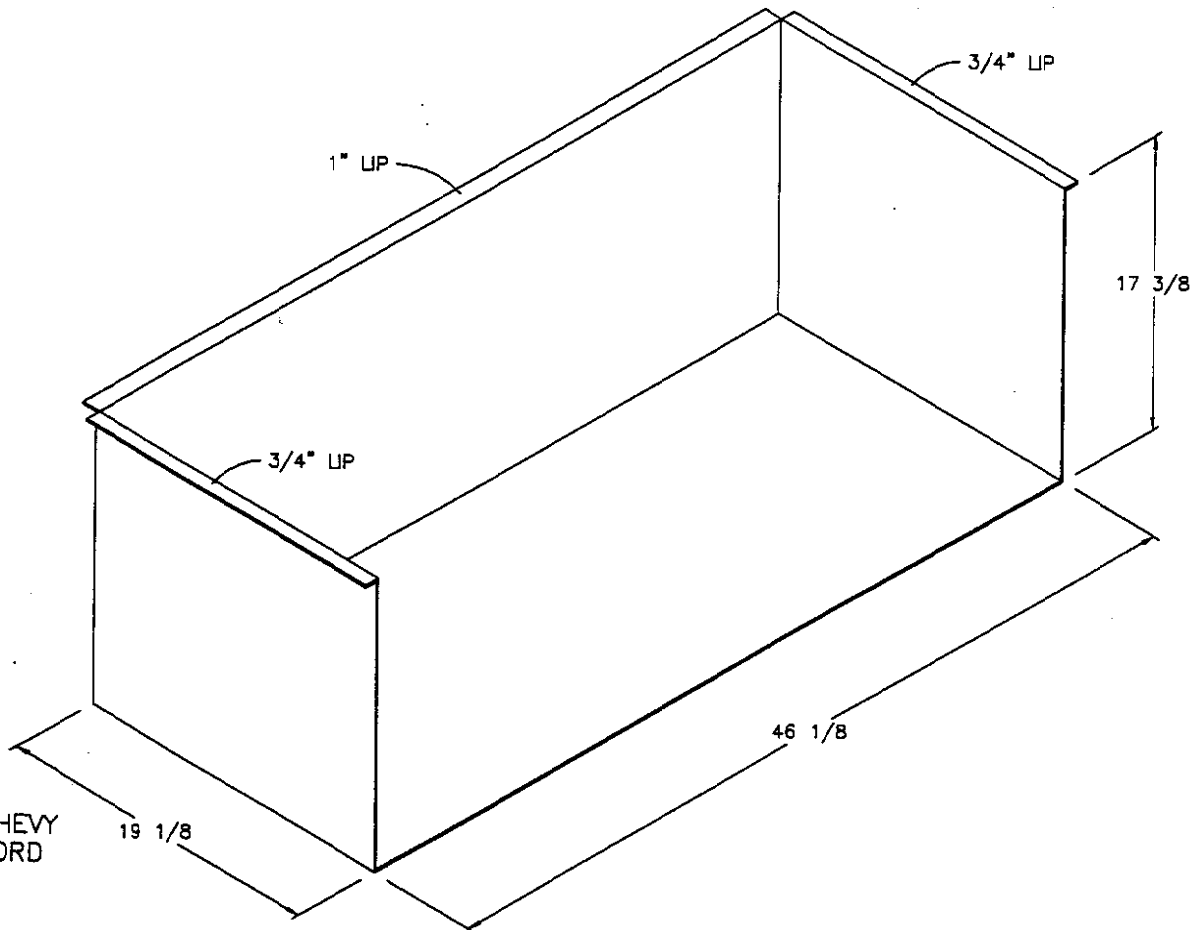
Date:

By:

Date:



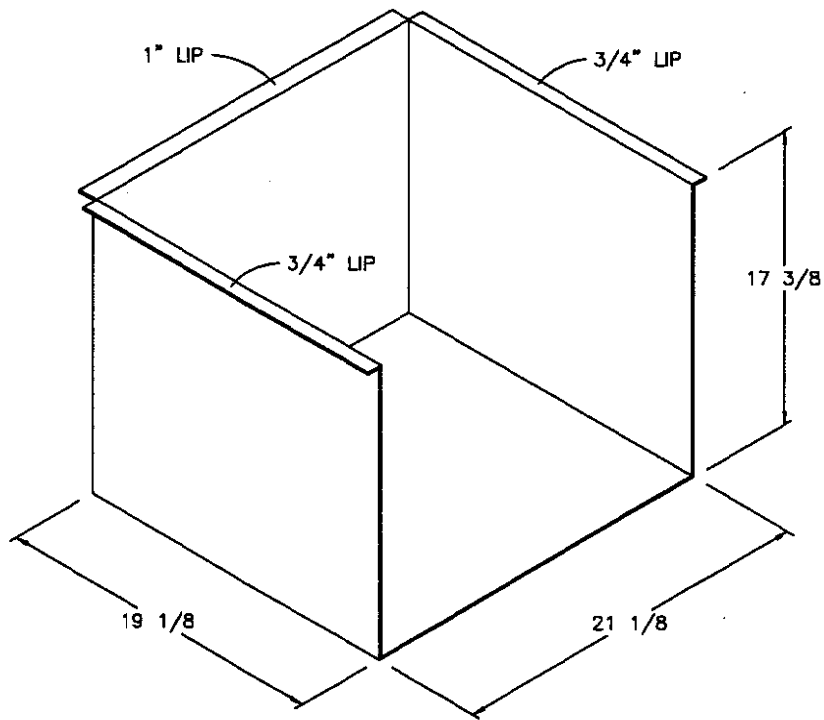
<b>NEWMAR CORP</b> P.O. Box 30, Nappanee, IN. 46550 Title block--1-5TB	'97 Model: DA'S	Sheet 1 OF 1	Drawn by: BRETT	Checked by: PS	Revision: ←	By:
	Title: STORAGE BOX INSTALLATION	I.D. # F/DA/ 7SRI	Date: 2/20/96	Date: 5-28	Revision:	By:
						Date:



DA 3401 (2) REQ'D - CHEVY  
 (1) REQ'D - FORD

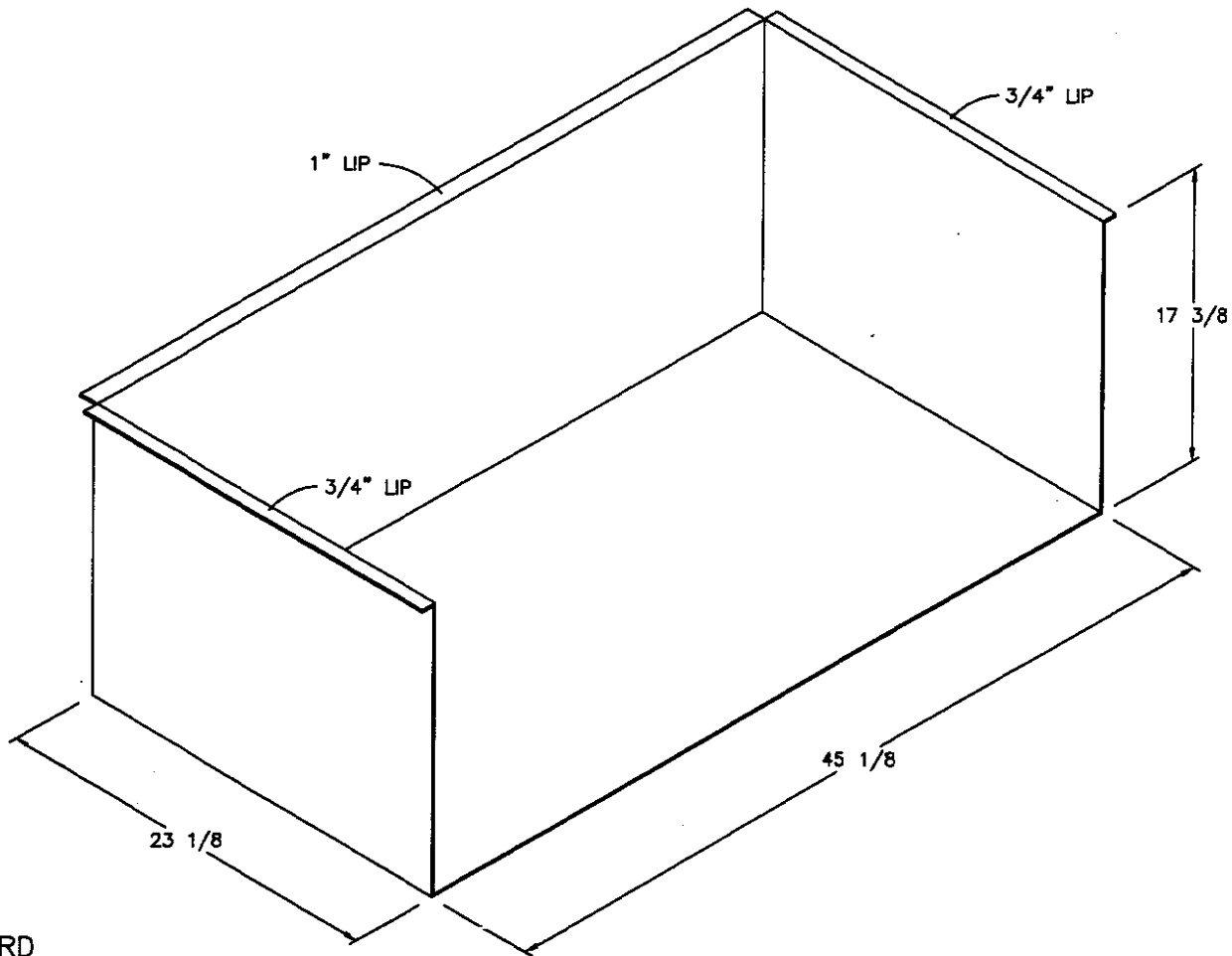
DA 3450  
 DA 3455  
 DA 3658  
 DA 3682

<b>NEWMAR CORP</b> P.O. Box 30, Nappanee, IN. 46550 Title block--1-5TB	'97 Model:	Sheet	Drawn by:	Checked by:	Revision: CHANGE DA 3401 CHEVY (2 REQ'D) & FORD (1	By: MIKE D.
	SEE UNITS ABOVE	1 OF 1	BRETT	WJM	REQ'D) (PCR #971125) (ECO #178)	Date: 11/8
Title: 46 1/8 STORAGE BOX (SEE NOTE ABOVE)	I.D. # F/DA/	Date:	Date:	Revision:	By:	Date:
	746B	2/20/96	9/11-8			



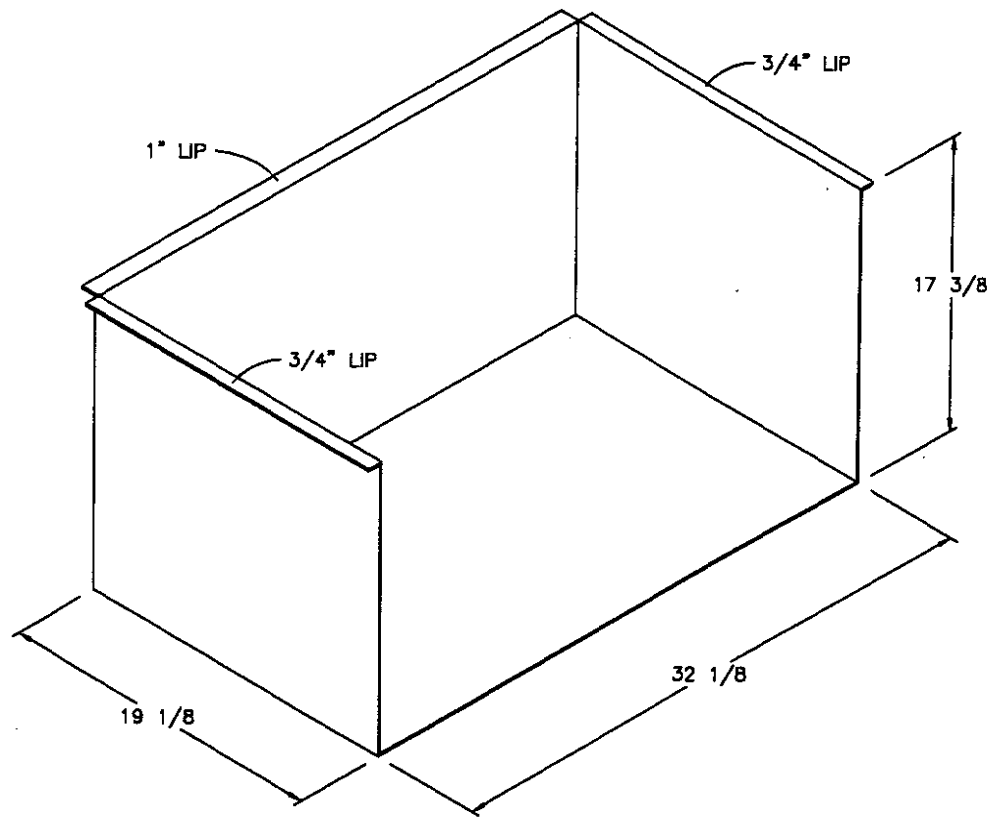
DA 3401  
 DA 3658  
 DA 3682

<b>NEWMAR CORP</b> P.O. Box 30, Nappanee, IN. 46550 Title block--1-5TB	'97 Model:	Sheet	Drawn by:	Checked by:	Revision: ADD DA 3401 (PCR #971125) (ECO #178)	By: MIKE D.
	SEE UNITS ABOVE	1 OF 1	BRETT	<i>[Signature]</i>		Date: 11/8
	Title: 21 1/8 STORAGE BOX (1-REQ'D)	I.D. # FM/DA/	Date:	Date:	Revision:	By:
		721B	3/8/96	11-18		Date:



(1) REQ'D - FORD  
OMIT - CHEVY

<b>NEWMAR CORP</b> P.O. Box 30, Nappanee, IN. 46550 Title block—1-5TB	'97 Model:	Sheet	Drawn by:	Checked by:	Revision:	By:
	DA 3658	1 OF 1	BRETT	RS		Date:
Title: 45 1/8 STORAGE BOX (SEE NOTE ABOVE)	I.D. # F/DA/	Date:	Date:	Revision:	By:	Date:
	745DB	3/8/96	5-28			



**NEWMAR CORP**  
P.O. Box 30,  
Napponee, IN. 46550

'97 Model:  
**DA 3658**  
Title: **32 1/8 STORAGE BOX**  
**(1-REQ'D)**

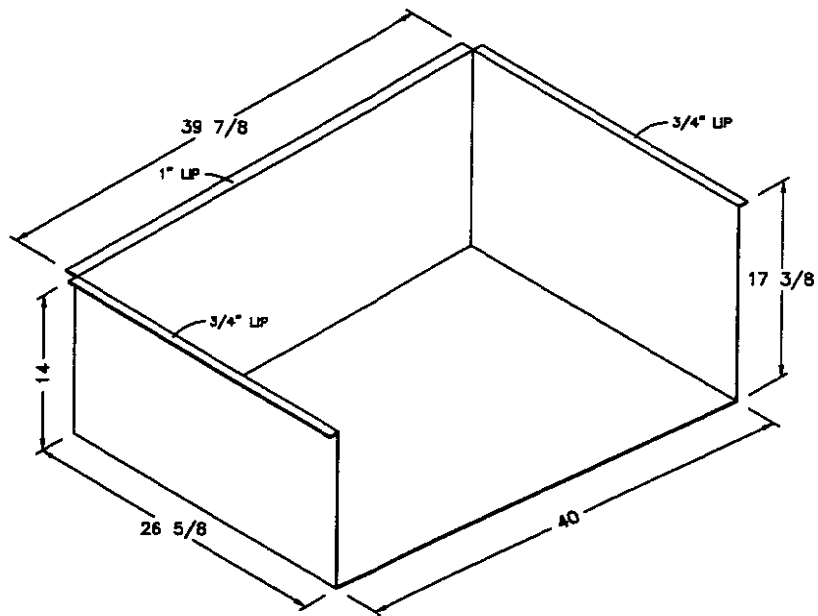
Sheet  
**1 OF 1**  
I.D. # F/DA/  
**732DB**

Drawn by:  
**BRETT**  
Date:  
**3/8/96**

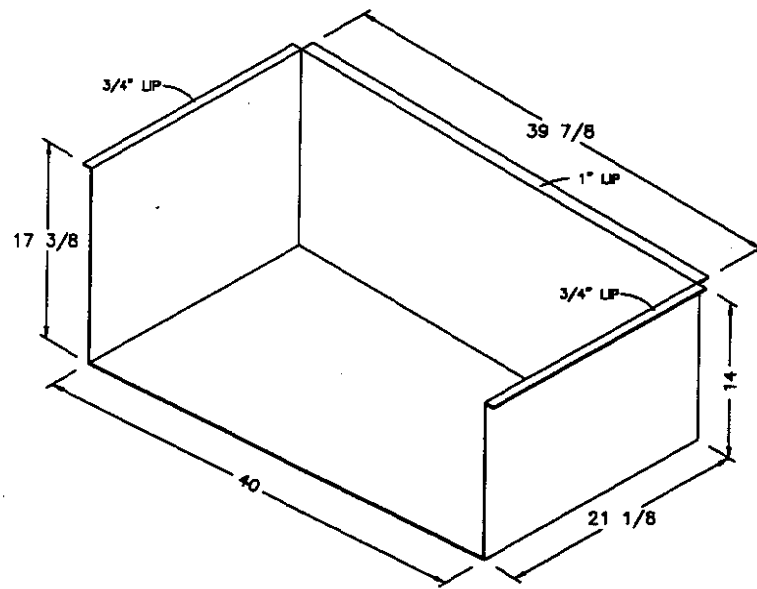
Checked by:  
*RS*  
Date:  
**5-28**

Revision:	By:
Revision:	By:
	Date:





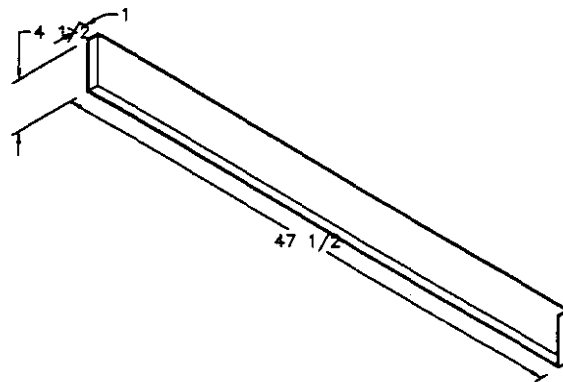
DOOR SIDE



OFFDOOR SIDE

<b>NEWMAR CORP</b> P.O. Box 30, Napanee, IN. 46550 Title block--1TB	'97 Model:	Sheet	Drawn by:	Checked by:	Revision:	By:
	DA 3658	1 OF 1	BRETT	PS		Date:
	Title:	I.D. # F/DA/	Date:	Date:	Revision:	By:
	REAR STORAGE BOXES	739B	3/8/96	5-28		Date:

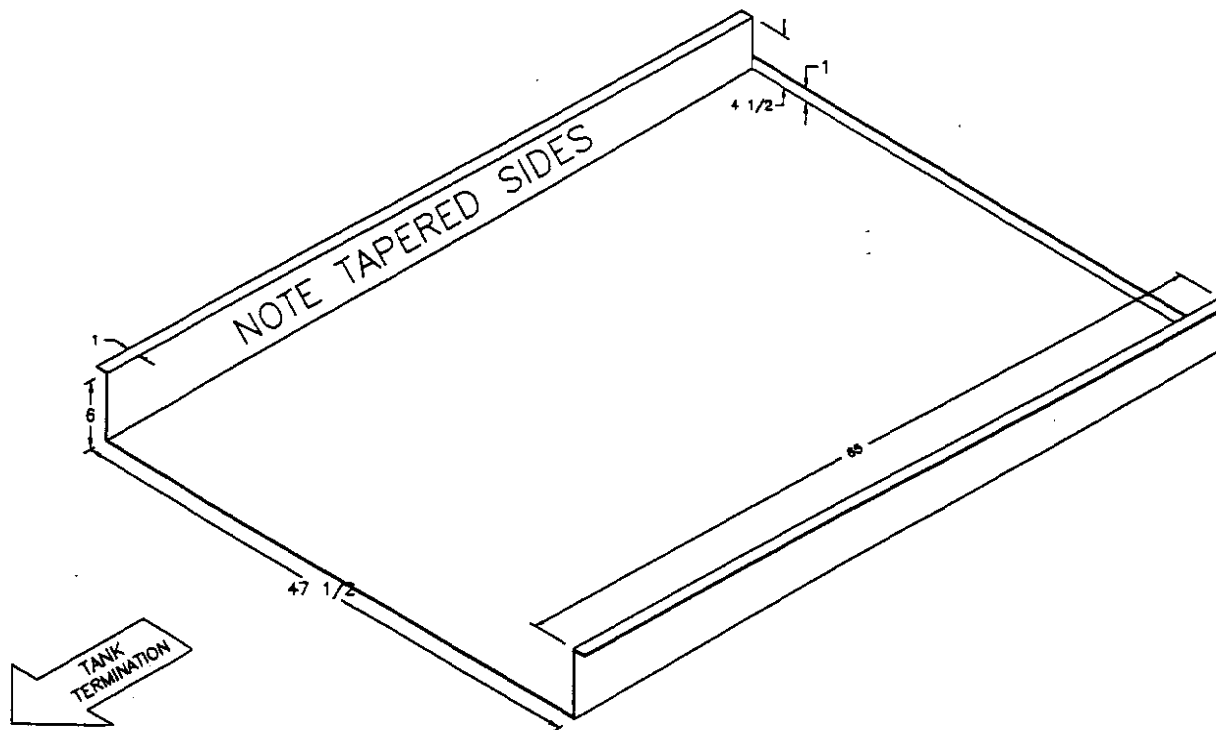




TANK  
TERMINATION

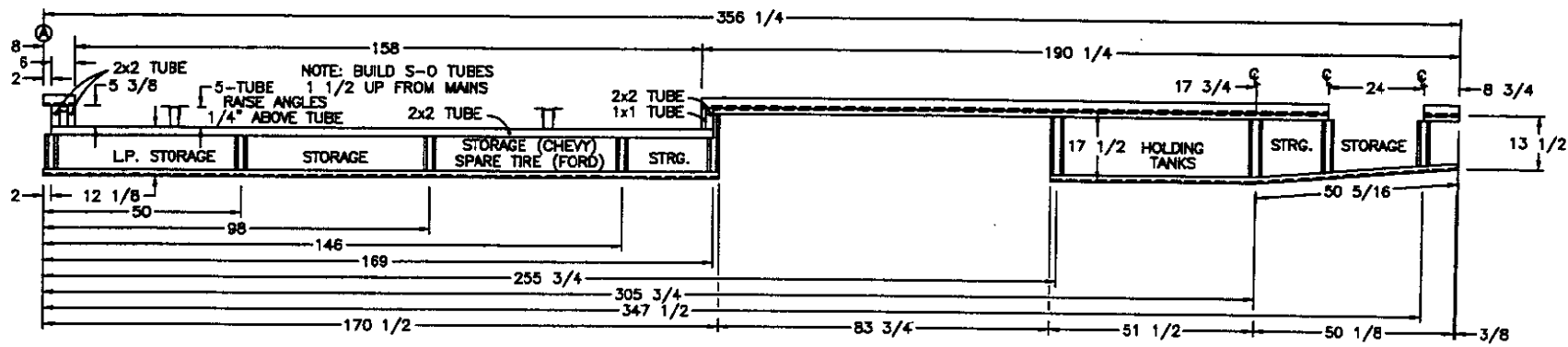
22 GA. GALVANIZED STEEL

<b>NEWMAR CORP</b> P.O. Box 30, Nappanee, IN. 46550	'97 Model:	Sheet	Drawn by: -	Checked by:	Revision:	By:
	DA'S	2 OF 3	BRETT	RS		Date:
	Title: #94-SH-09-1D-06	I.D. #	F/DA/	Date:	Revision:	By:
	ENCLOSED HOLD'G TANKS	7FT	2/20/96	5-28		Date:

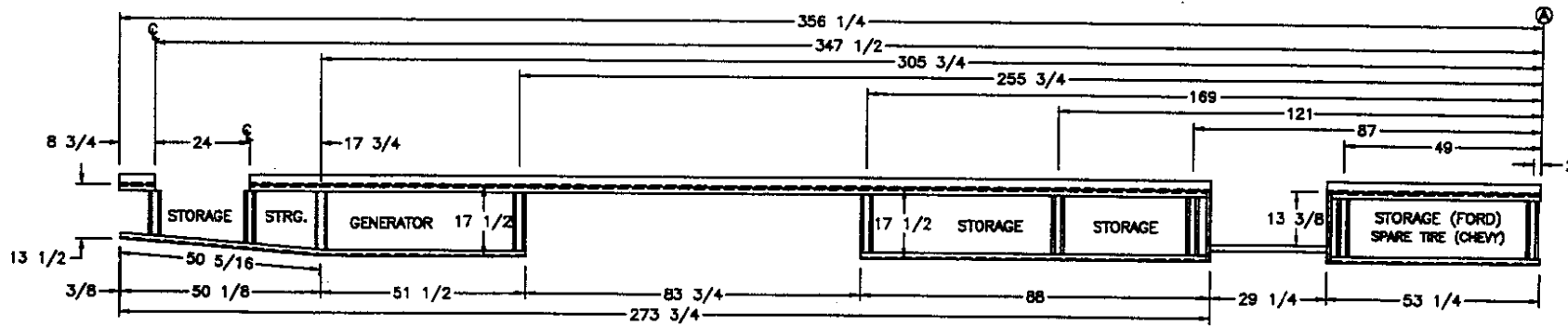


22 GA. GALVANIZED STEEL

<b>NEWMAR CORP</b> P.O. Box 30, Nappanee, IN. 46550 <small>Title Block - 1TB</small>	'97 Model: <b>DA'S</b>	Sheet <b>3 OF 3</b>	Drawn by: <b>BRETT</b>	Checked by: <i>RS</i>	Revision:	By:
	Title: #94-SH-09-1D-05 ENCLOSED HOLD'G TANKS	I.D. # F/DA/ 7FT	Date: 2/20/96	Date: 5-28	Revision:	Date:



OFFDOOR SIDE

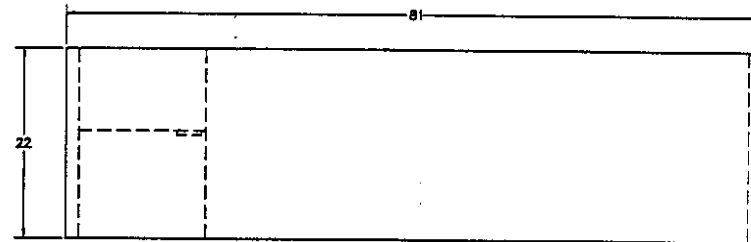
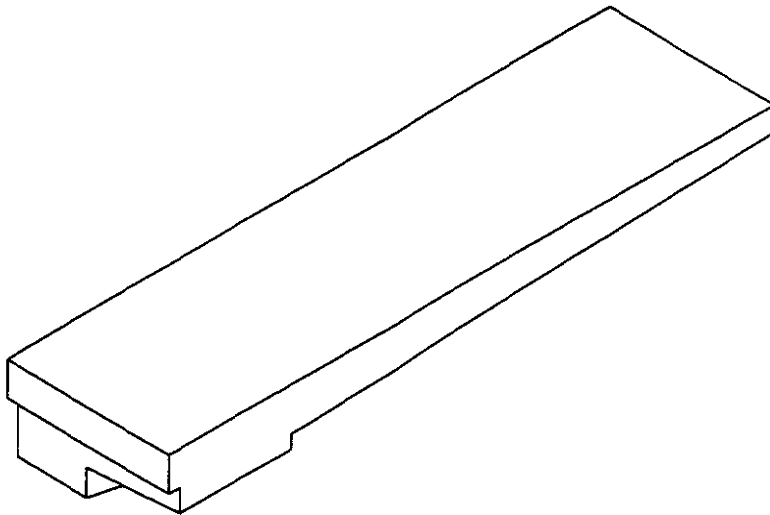


DOOR SIDE

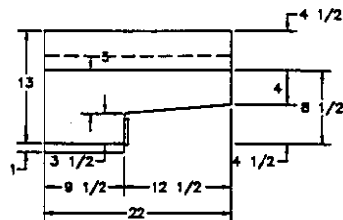
NOTES  
 VERTICAL RAILS UNDER "Z" ARE HAT SECTIONS & TUBS  
 ALL VERTICAL TUBES UNDER "Z" ARE 2x2  
 BOTTOM RAIL 1 1/2x1 1/2 ANGLE

<b>NEWMAR CORP</b> P.O. Box 30, Nappanee, IN. 48560 Title block--375TB	'97 Model: DA 3658	Sheet 1 OF 1	Drawn by: BRET	Checked by: RS	Revision:	By:
	Title: FRAME SKIRTS	I.D. # F/DA/ 7SKT1	Date: 3/8/96	Date: 5-28	Revision:	Date:
						By:
						Date:

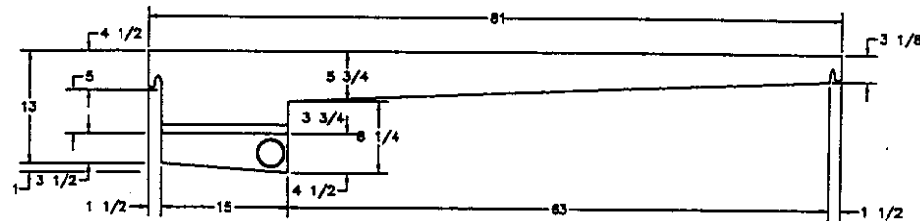
NOTE: (LEFT (94-CI-01-1D-03) &  
RIGHT (94-CI-02-1D-02) REQ'D



TOP



END

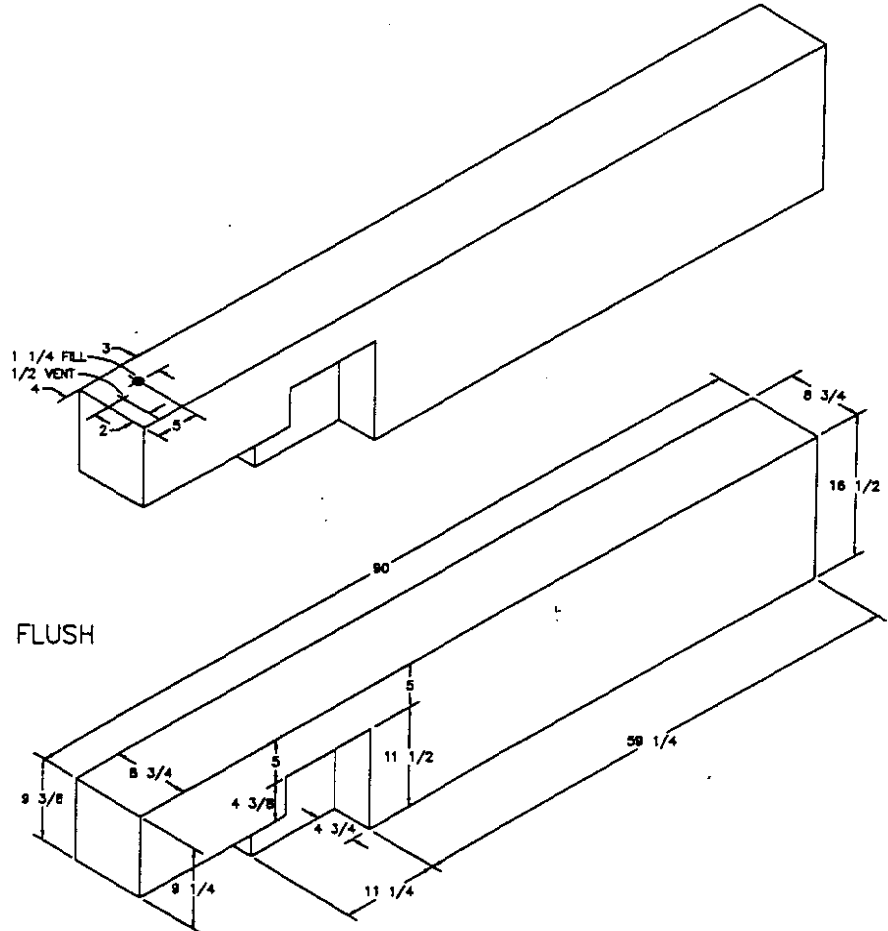
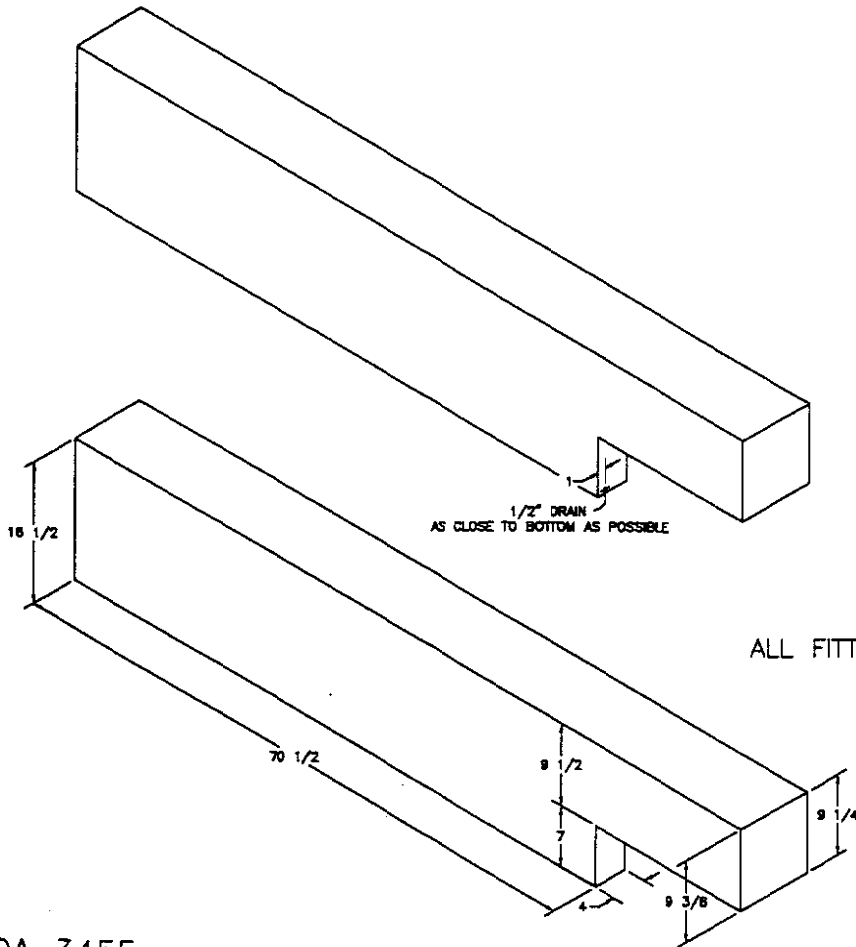


SIDE

NOTE: 3" SPIN-IN OUTLET

DA 3455  
DA 3658

<b>NEWMAR CORP</b> P.O. Box 30, Nappanee, IN. 46550 Title block--75TB	'97 Model:	Sheet	Drawn by: ...	Checked by:	Revision:	By:
	SEE UNITS ABOVE	1 OF 1	BRETT	RS		Date:
	Title:	I.D. # F/DA/	Date:	Date:	Revision:	By:
HOLDING TANKS	7HT	2/20/96	5-28		Date:	

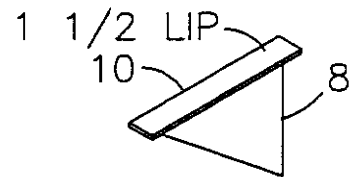
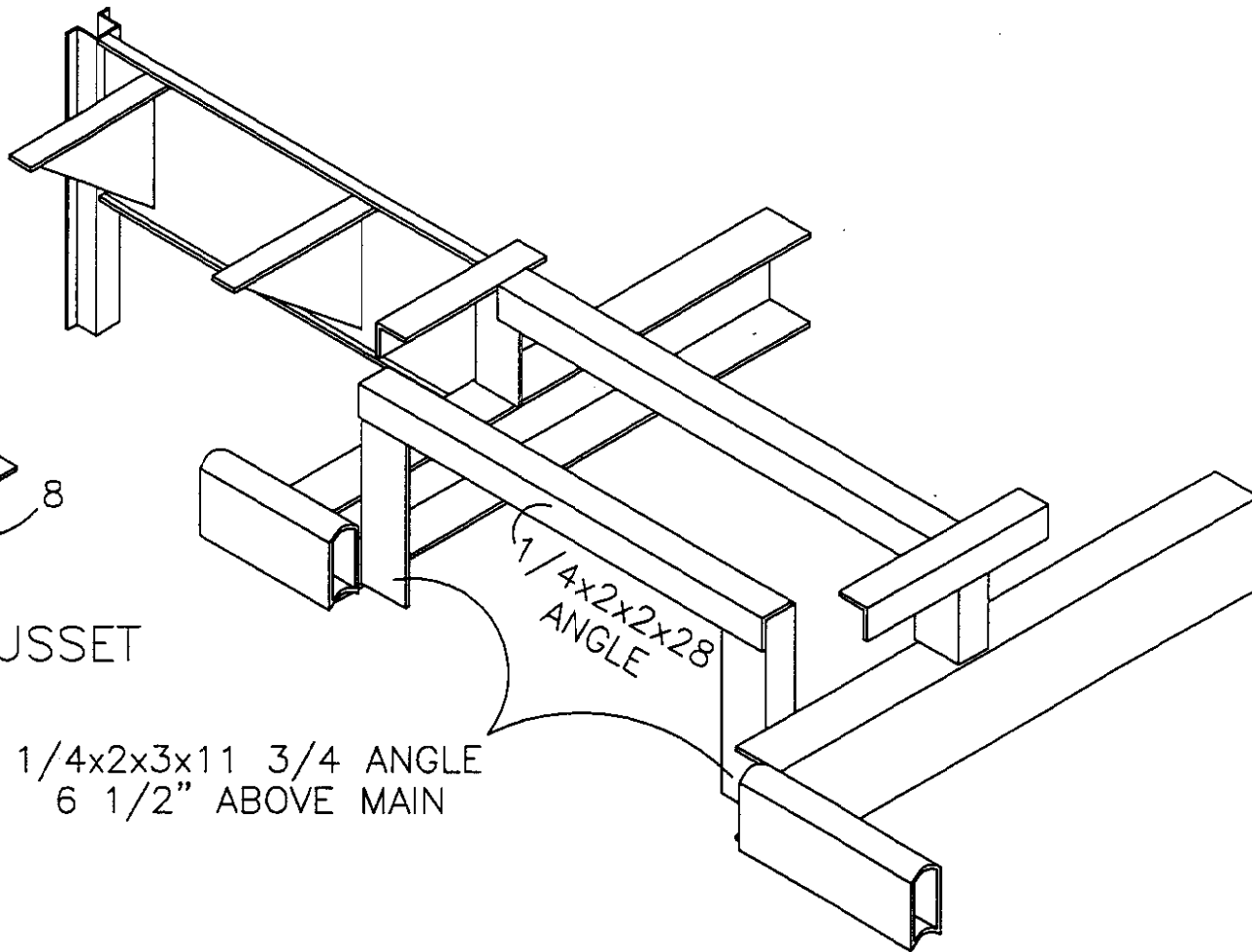


ALL FITTINGS ARE FLUSH

DA 3455  
DA 3658

45 GAL.

<b>NEWMAR CORP</b> P.O. Box 30, Nappanee, IN. 46560 Title block--75TB	'97 Model: <b>SEE UNITS ABOVE</b>	Sheet <b>1 OF 1</b>	Drawn by: <b>BRETT</b>	Checked by: <i>RS</i>	Revision: <b>TOP/LEFT DRAIN @ 1" WAS 2"</b>	By: <b>BRETT</b>
	Title: <b>ELKHART PLASTICS</b> <b>#319W WATER TANK</b>	I.D. # <b>F/DA/</b> <b>7WT</b>	Date: <b>2/28/96</b>	Date: <b>5-28</b>	Revision:	Date:

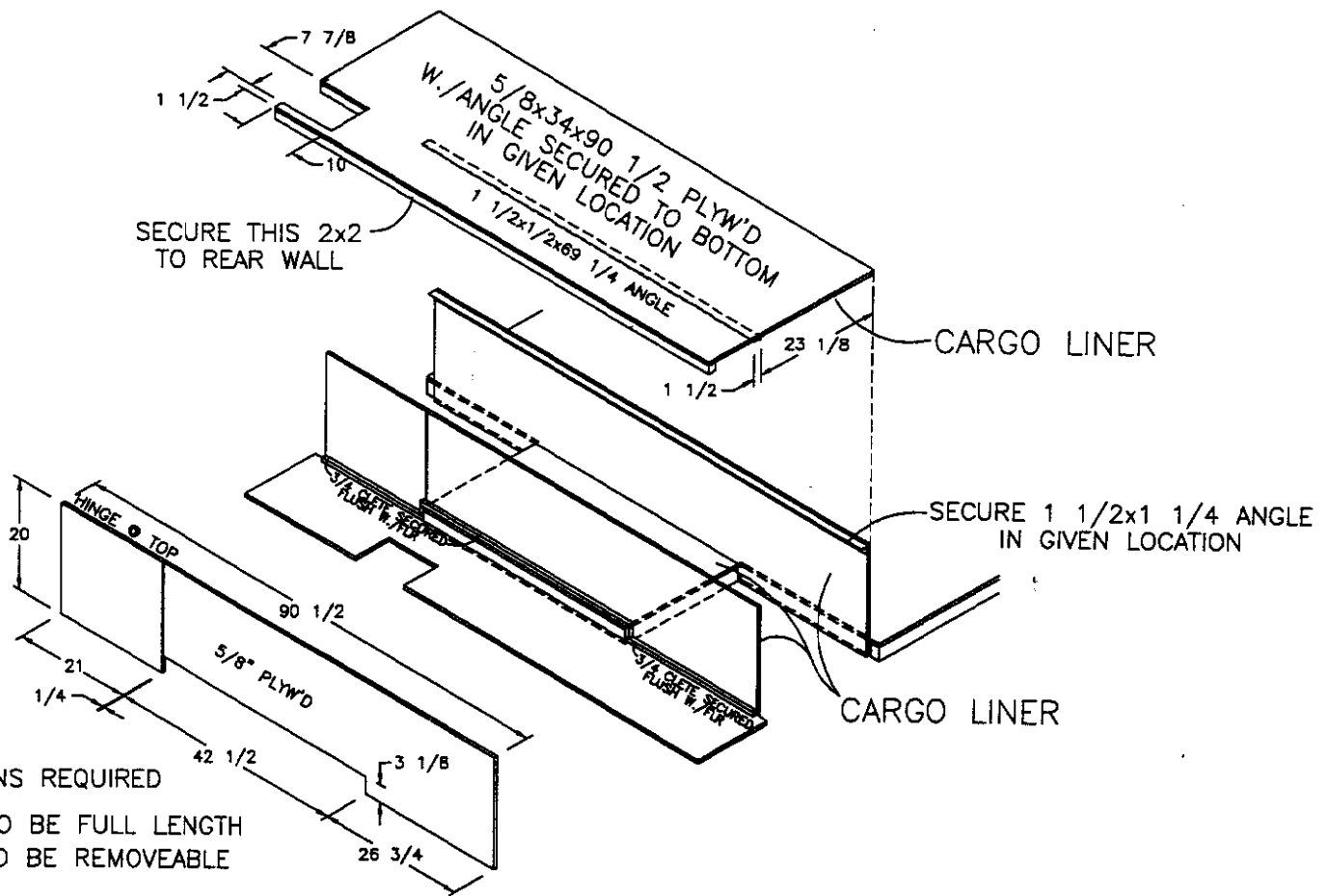


TYPICAL GUSSET

1/4x2x3x11 3/4 ANGLE  
6 1/2" ABOVE MAIN

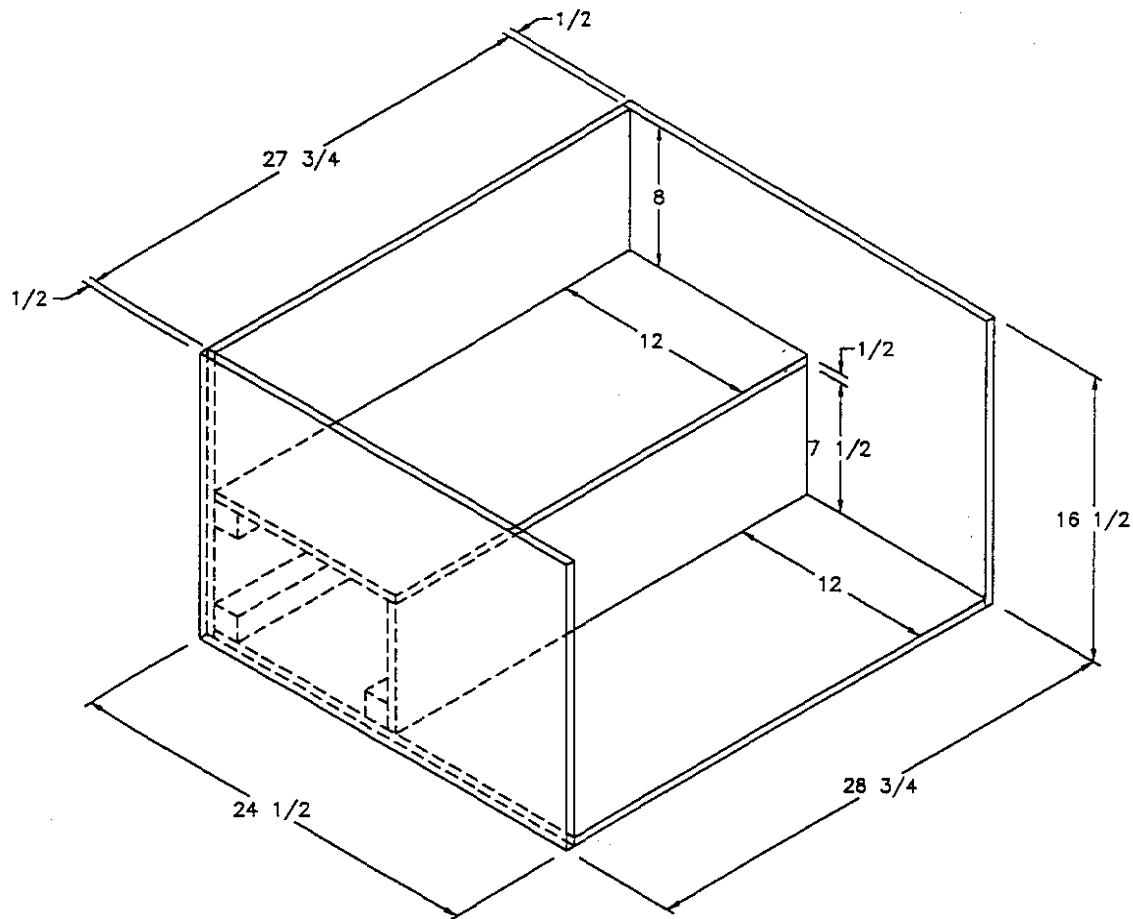
<b>NEWMAR CORP</b> P.O. Box 30, Naparoc, IN. 46550 Title block--1-5TB	'97 Model:	Sheet	Drawn by:	Checked by:	Revision:	By:
	DA'S	1 OF 1	BRETT	RS		Date:
	Title:	I.D. # F/DA/	Date:	Date:	Revision:	By:
	REAR FLOOR SUPPORT	7GUSSET	3/1/96	5-28		Date:





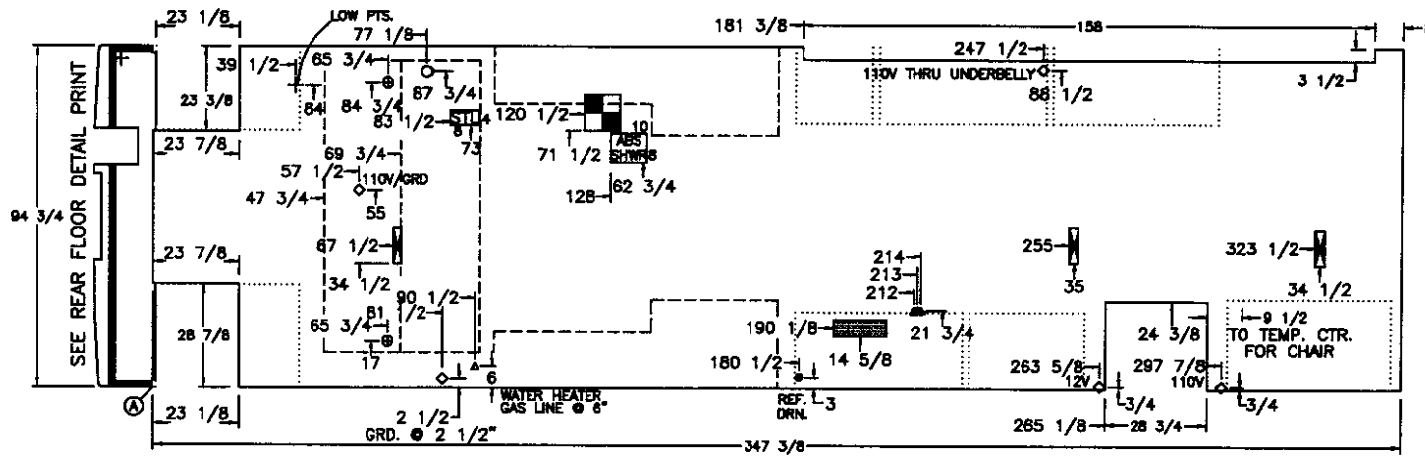
DA 3455  
DA 3658

<b>NEWMAR CORP</b> P.O. Box 30, Nappanee, IN. 46560	'97 Model: SEE UNITS ABOVE	Sheet 1 OF 1	Drawn by: BRETT	Checked by:	Revision: REVISED FOR CLEANER APPEARANCE/EASIER ACCESS	By: BRETT
	Title: REAR STORAGE	I.D. # 7DASTRG	Date: 2/28/96	Date: <i>RB</i>	Revision:	Date: 3/21
Title block--5TB				Date: <i>5-28</i>		By:
						Date:



ALL MATERIAL TO BE 1/2" EXCEPT 2x2 SUPPORTS INSIDE

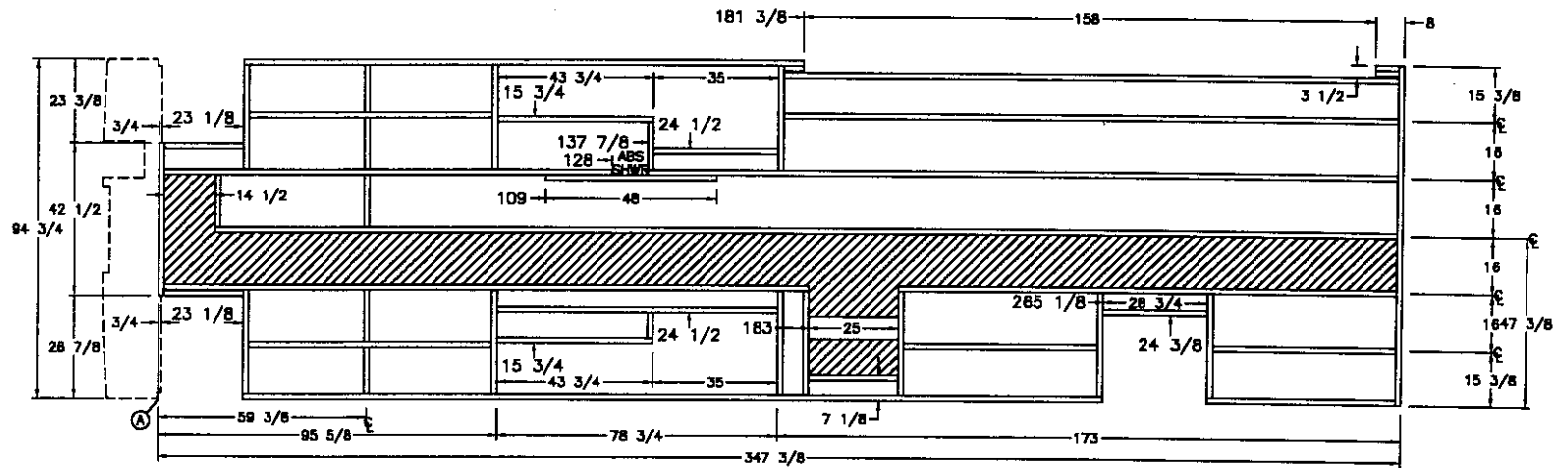
<b>NEWMAR CORP</b> P.O. Box 30, Nappanee, IN. 46550	'97 Model:	Sheet	Drawn by:	Checked by:	Revision:	By:
	DA'S	1 OF 1	BRETT	RS		Date:
Title:	I.D. #	Date:	Date:	Revision:	By:	Date:
ENTRANCE STEP WELL	7DSSTEP	2/20/96	5-28			



FLOOR CUTOUT SYMBOLS

- ..... 10"x10" FIBERGLASS TUB
- ⊗ ..... 5" HEAT DUCT HOLE
- ▣ ..... 2 1/2"x10" HEAT REGISTER
- ▨ ..... 4 1/2"x14 1/2" FURNACE
- ◇ ..... 1/4" ELECTRICAL HOLE
- ..... 5" SEWAGE DRAIN HOLE
- ⊙ ..... 3" DRAIN HOLE
- ..... 3" VENT HOLE
- ⊙ ..... 3" WATER FILL HOLE
- ..... 3/4" WATER LINE HOLE
- △ ..... 3/4" GAS LINE HOLE

<b>NEWMAR CORP</b> P.O. Box 30, Napanee, IN. 46550 Title block--3125TB	'97 Model: DA 3658	Sheet 2 OF 3	Drawn by: BRETT	Checked by: B	Revision: REAR/DS EDGE OF FLR (DELETED 4" DIM.)	By: BRETT
	Title: FLOOR LAY-OUT	I.D. # P/DA/ 73658	Date: 3/13/96	Date: 6-18	Revision: ROTATED KITCHEN REGISTER PER MANAGEMENT & DOOR SIDE 12V - 110V WIRES	By: BRETT
						Date: 6/18
						Date: 5/29



NOTES:  
 ALL STRINGERS TO BE SPRUCE-PINE-FIR (SPF)  
 STRINGERS: 2 X 3'S  
 3 1/8" BUILD-UP FLOOR ONLY UP TO MAIN FLOOR LENGTH  
 ALL DIMENSIONS FROM POINT A

**NEWMAR CORP**  
 P.O. Box 30,  
 Napanee, IN. 46550

'97 Model:  
 DA 3658  
 Title:  
 STRINGER LAY-OUT

Sheet  
 3 OF 3  
 I.D. # P/DA/  
 73658

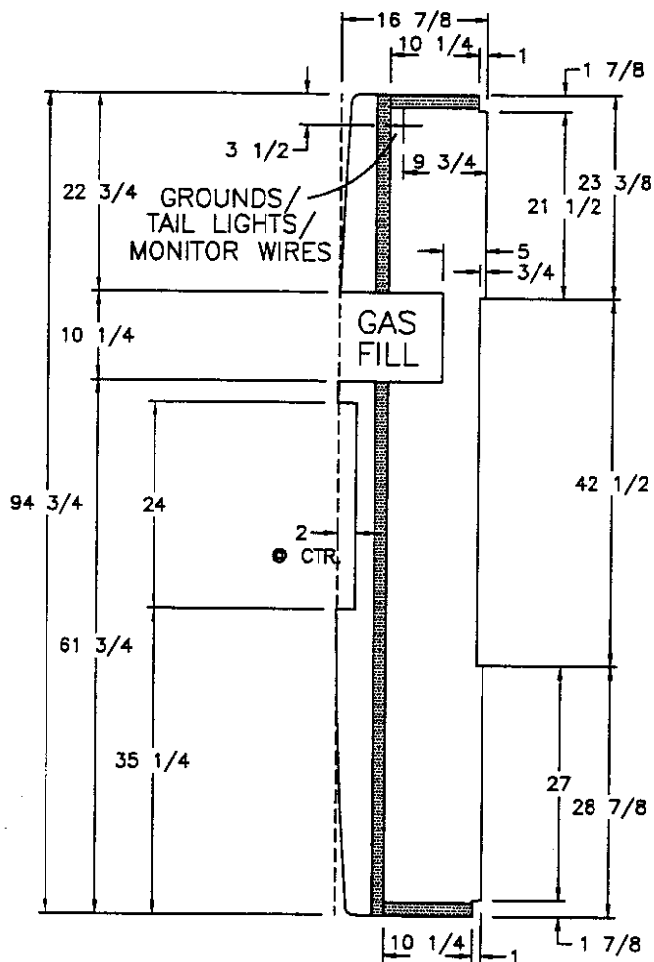
Drawn by:  
 BRETT  
 Date:  
 3/13/96

Checked by:  
*B*  
 Date:  
 6-26

Revision: REVISED DUE TO REAR FLOOR CONSTRUCTION  
 Revision: FURNACE PLENIM FROM 25 1/2 TO 25

By: BRETT  
 Date: 3/21  
 By: BRETT  
 Date: 6/25

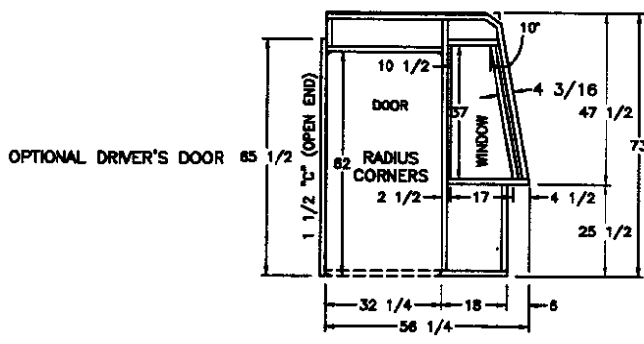
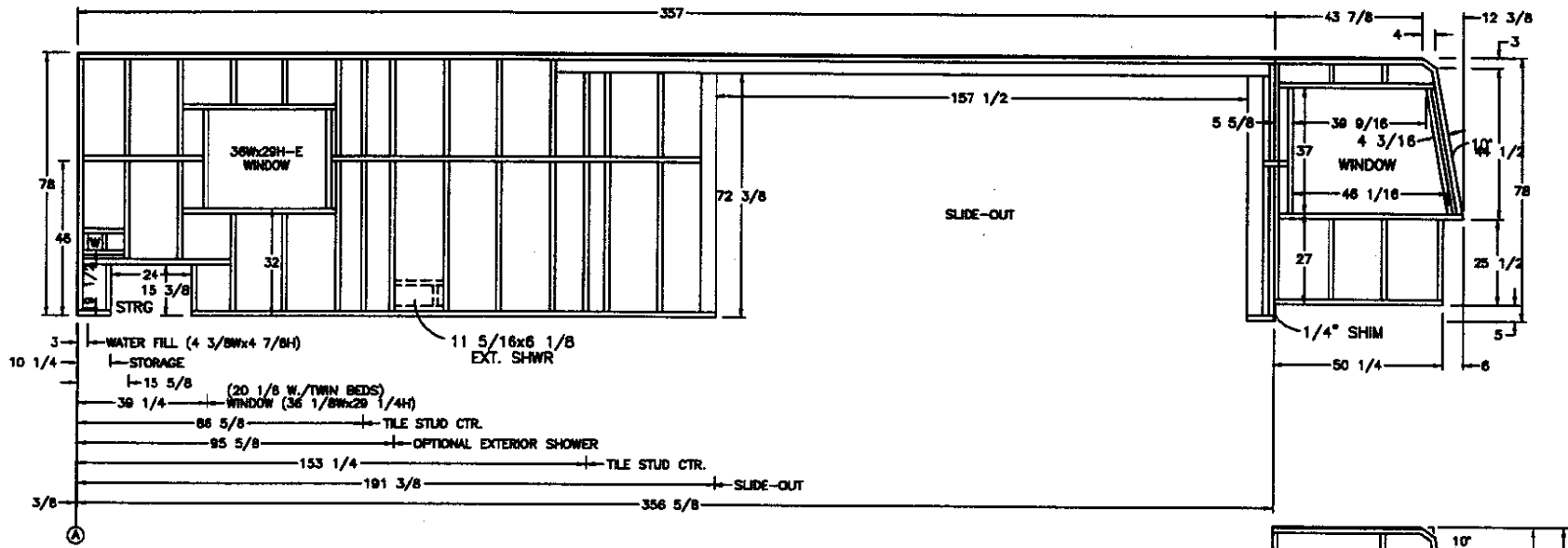
Title block--3125TB



5/8" PLYW'D W./  
METAL BOTTOM

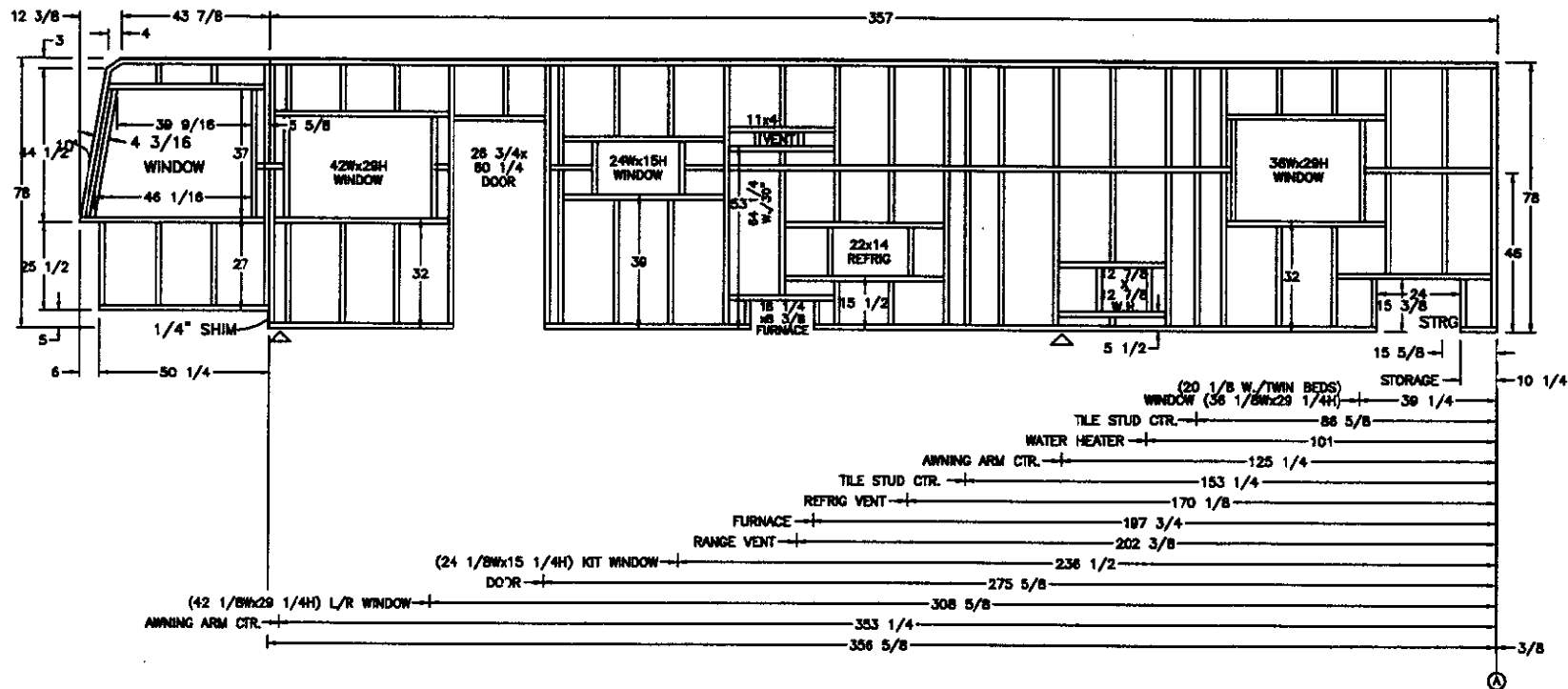
SHADED AREAS  
DENOTE 2x3'S

<b>NEWMAR CORP</b> P.O. Box 30, Nappanee, IN. 46550 Title block--75TB	'97 Model: DA'S	Sheet 1 OF 1	Drawn by: BRETT	Checked by:	Revision:	By:
	Title: REAR FLOOR DETAIL	I.D. # 7DARFLR	Date: 3/21/96	Date: PS 5-28	Revision:	Date:



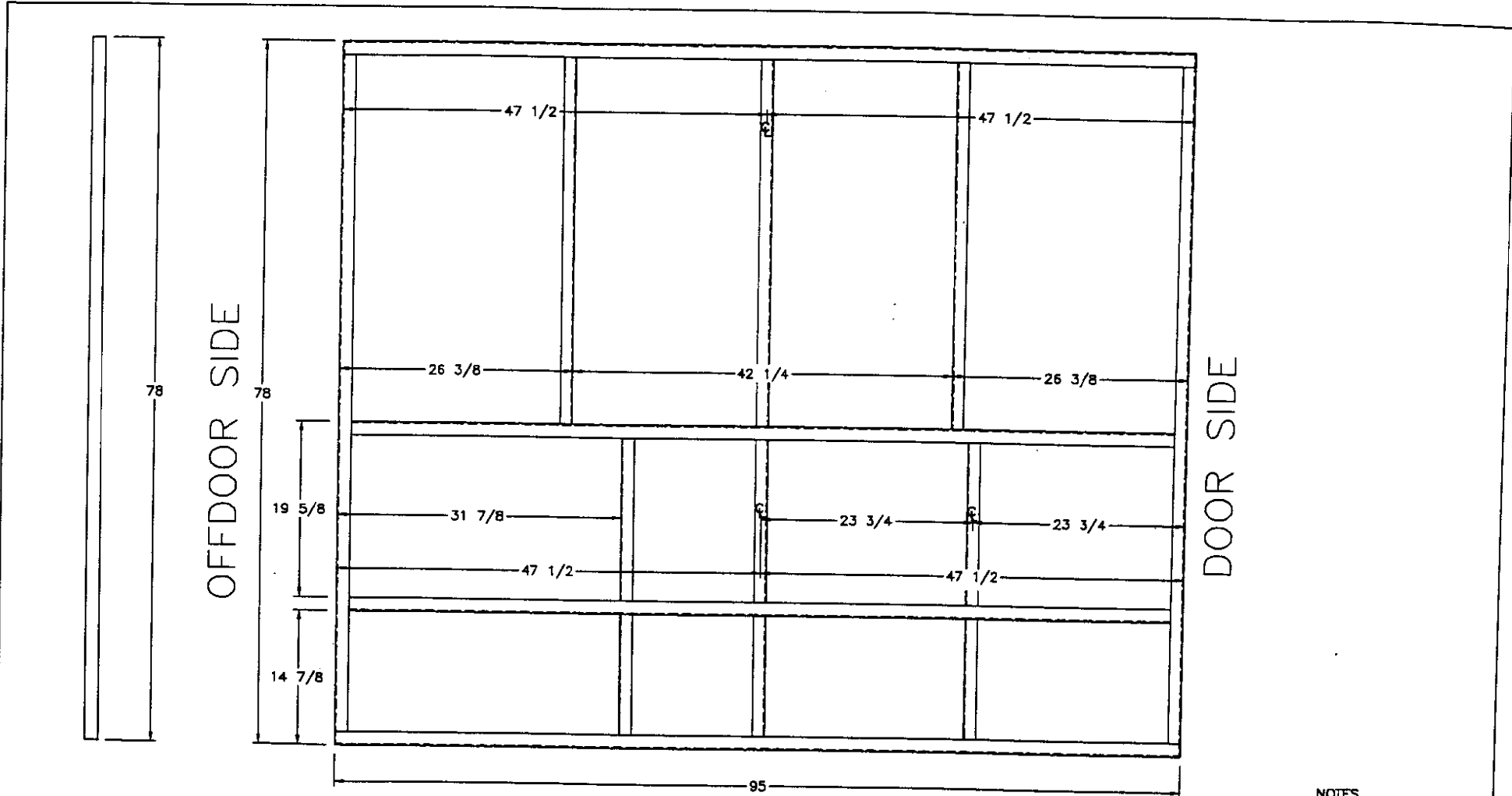
NOTES  
 ALL DIMENSIONS ARE FROM POINT 'A'  
 SIDEWALL LAYOUT DRAWN AS IN JIG POSITION  
 ALL STUDS SPACED 16" ON CENTER UNLESS OTHERWISE SPECIFIED

<b>NEWMAR CORP</b> P.O. Box 30, Nappanee, IN. 46550 Title block--3125TB	'97 Model: <b>DA 3658</b>	Sheet <b>1 OF 1</b>	Drawn by: <b>BRETT</b>	Checked by: <i>WJM</i>	Revision: <b>ADDED BEDROOM WINDOW LOCATION W./TWIN BEDS (PCR #97932)</b> By: <b>BRETT</b>
	Title: <b>OFFDOOR SIDEWALL</b>	I.D. # <b>S/O/</b> <b>7DA3658</b>	Date: <b>3/13/96</b>	Date: <b>10/1</b>	Revision:



NOTES  
 19 FT. AWNING  
 ALL DIMENSIONS ARE FROM POINT 'A'  
 SIDEWALL LAYOUT DRAWN AS IN JIG POSITION  
 ALL STUDS SPACED 16" ON CENTER UNLESS OTHERWISE SPECIFIED

<b>NEWMAR CORP</b> P.O. Box 30, Nappanee, IN. 46560 Title block--3125TB	'97 Model: <b>DA 3658</b>	Sheet <b>1 OF 1</b>	Drawn by: <b>BRETT</b>	Checked by: <b>WJM</b>	Revision: REFRIG VENT HEIGHT (PCR #97975)	By: BRETT Date: 10/10
	Title: <b>DOOR SIDE SIDEWALL</b>	I.D. # S/D/ <b>7DA3658</b>	Date: <b>3/13/96</b>	Date: <b>10/10</b>	Revision: ADDED BEDROOM WINDOW LOCATION W./TWIN BEDS (PCR #97932)	By: BRETT Date: 10/1



NOTES  
 ALL HORIZONTAL RAILS ARE 1 1/2 ALUM.  
 ALL VERTICAL RAILS ARE 1 3/8 ALUM.

**NEWMAR CORP**  
 P.O. Box 30,  
 Nappanee, IN. 46550

'97 Model:  
**DA'S**  
 Title:  
**REAR WALL**

Sheet  
**1 OF 1**  
 I.D. # S/R/  
**7DA**

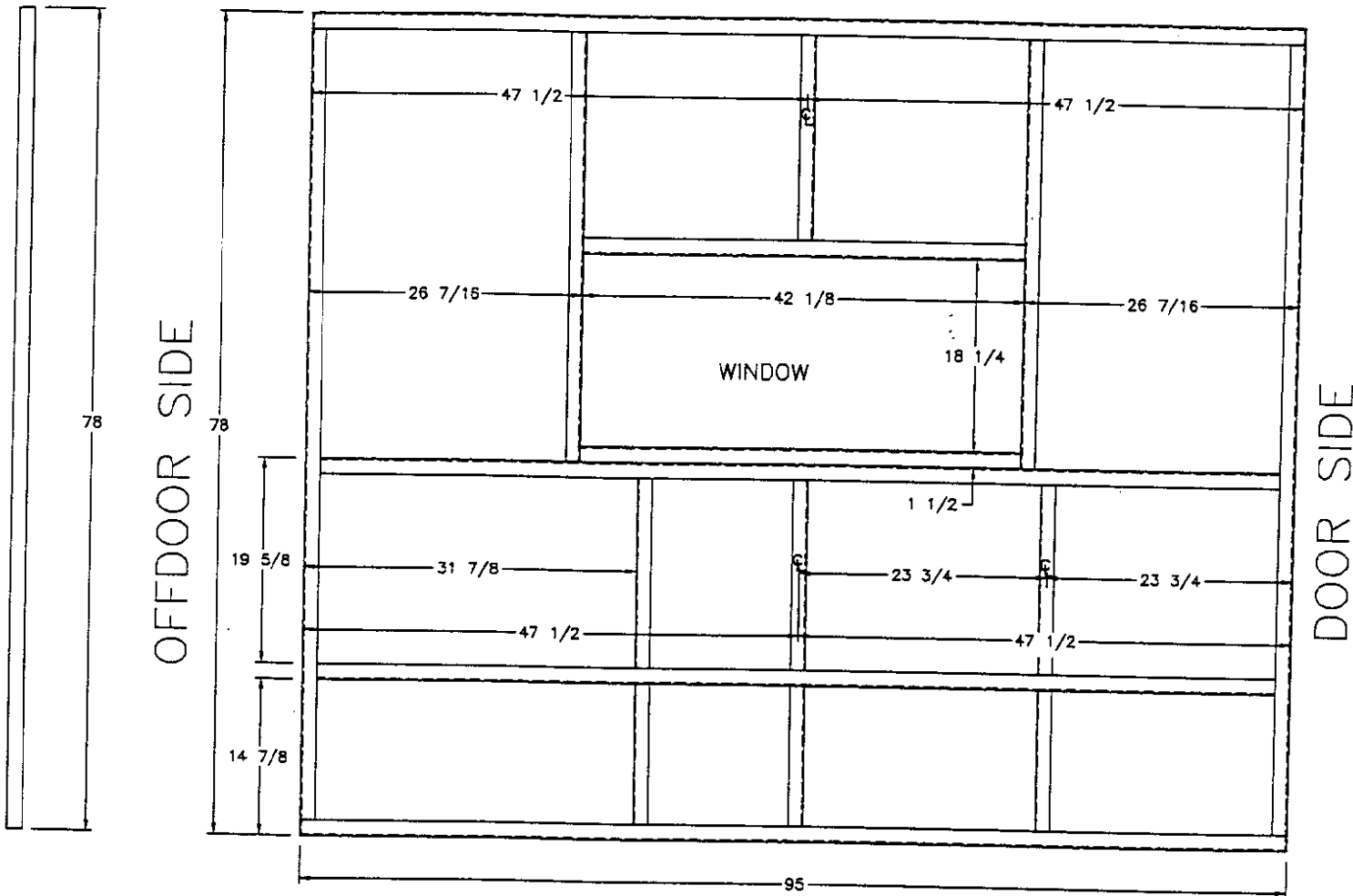
Drawn by:  
**BRETT**  
 Date:  
**2/21/96**

Checked by:  
*RS*  
 Date:  
**5-28**

Revision:	By:
Revision:	By:
	Date:
	Date:

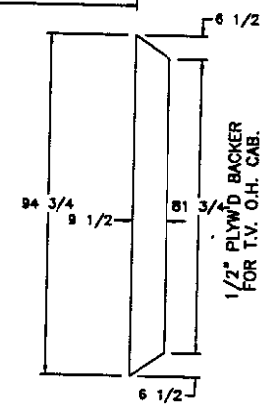
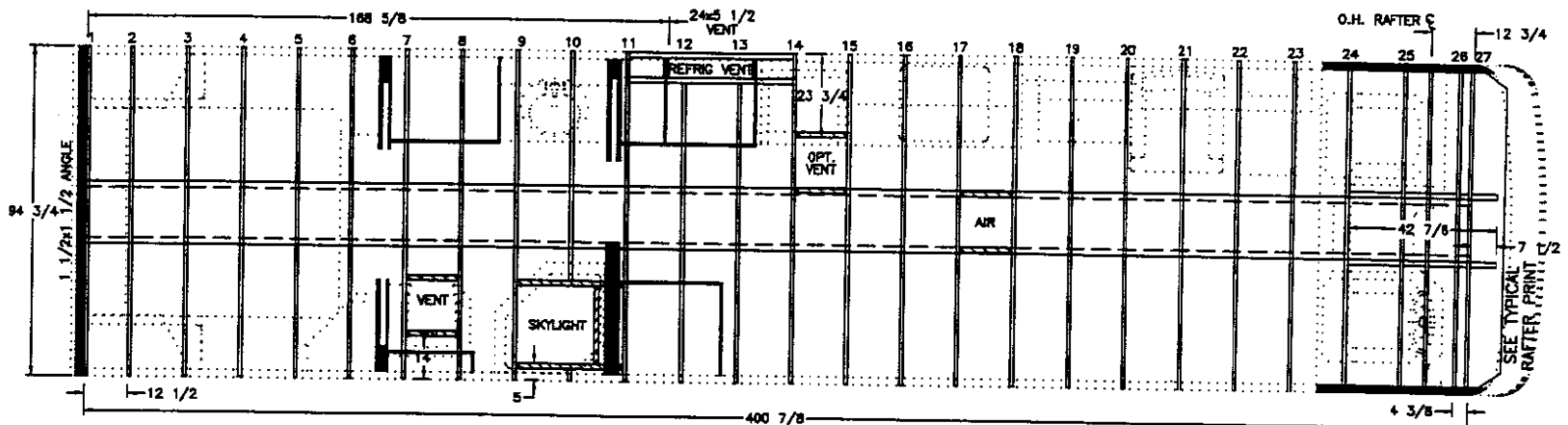
Title block--1TB



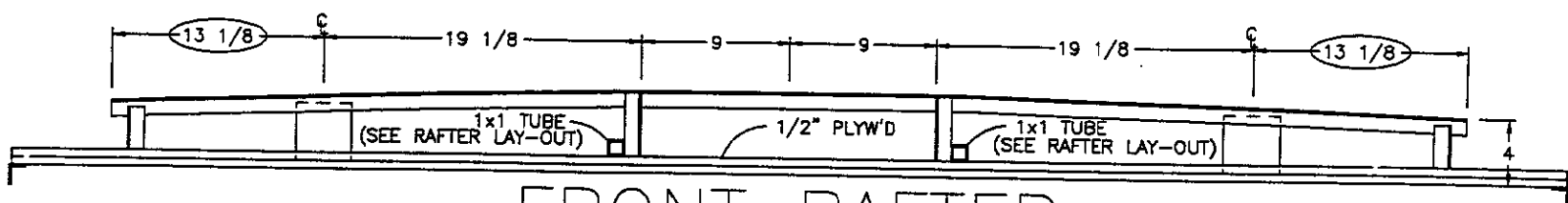
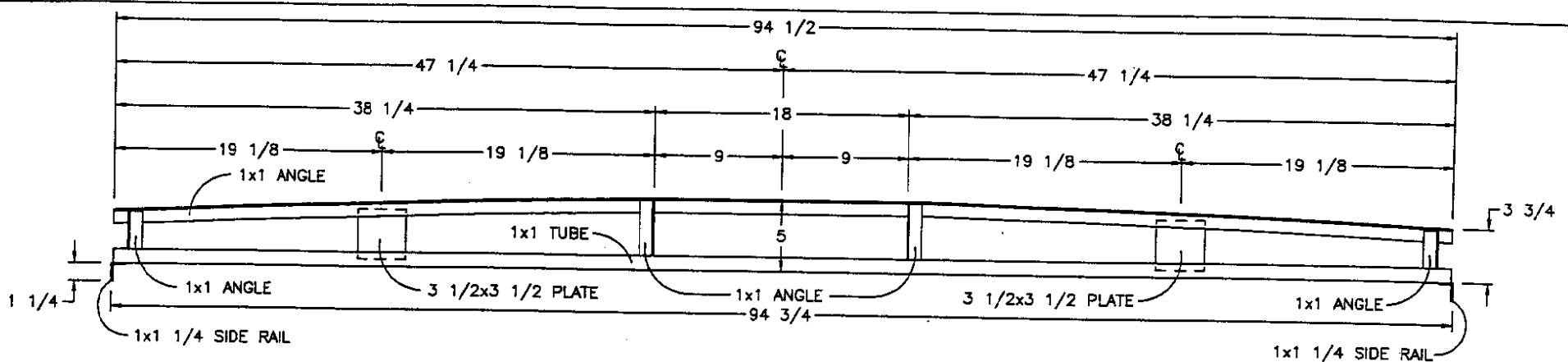


NOTES  
 ALL HORIZONTAL RAILS ARE 1 1/2 ALUM.  
 ALL VERTICAL RAILS ARE 1 3/8 ALUM.

<b>NEWMAR CORP</b> P.O. Box 30, Nappanee, IN. 46550 Title block--1TE	'97 Model: <b>DA'S</b>	Sheet <b>1 OF 1</b>	Drwn by: <b>BRETT</b>	Checked by: <i>RS</i>	Revision:	By:
	Title: <b>7T350</b>	REAR WALL W./ WINDOW	I.D. # S/R/ <b>7DA2</b>	Date: <b>5/21/96</b>	Date: <b>5-28</b>	Revision:



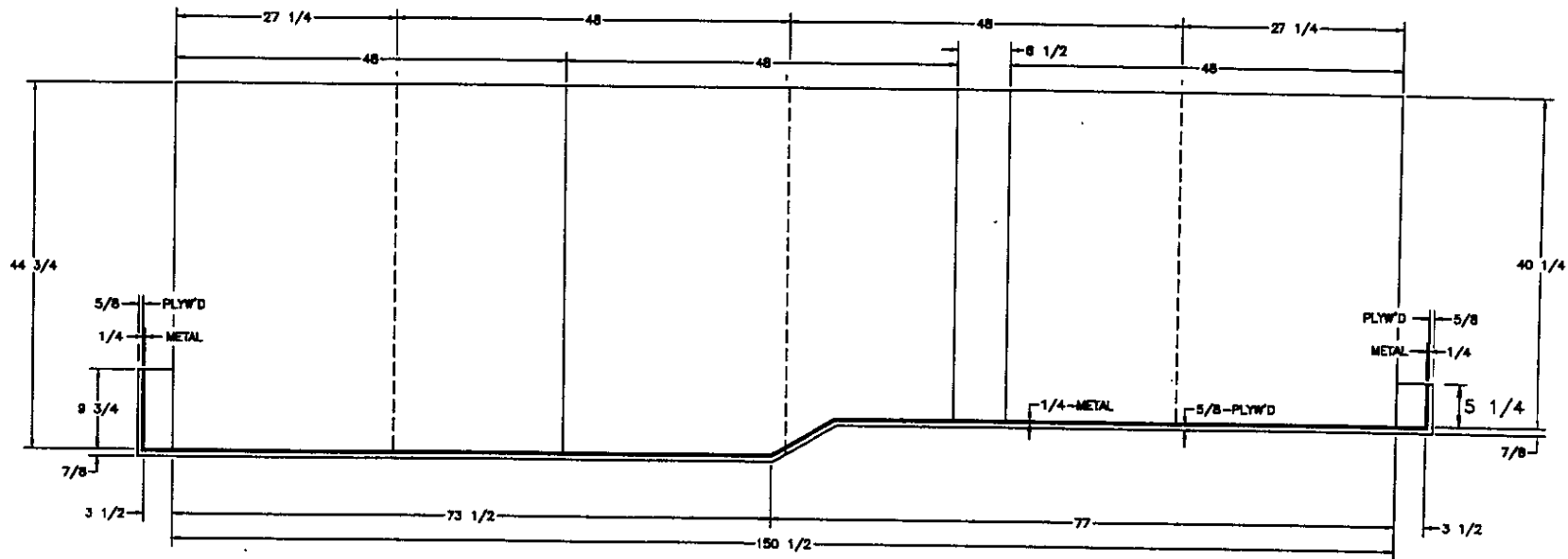
<b>NEWMAR CORP</b> P.O. Box 30, Nappanee, IN. 46550 Title block--3125TB	'97 Model: DA 3658	Sheet 1 OF 1	Drawn by: BRETT	Checked by: RS	Revision: KIT VENT TO 23 3/4	By: BRETT
	Title: ROOF RAFTERS	I.D. # R/ 7DA3658	Date: 3/8/96	Date: 5-28	Revision:	Date: 5/1
						By:
						Date:



FRONT RAFTER

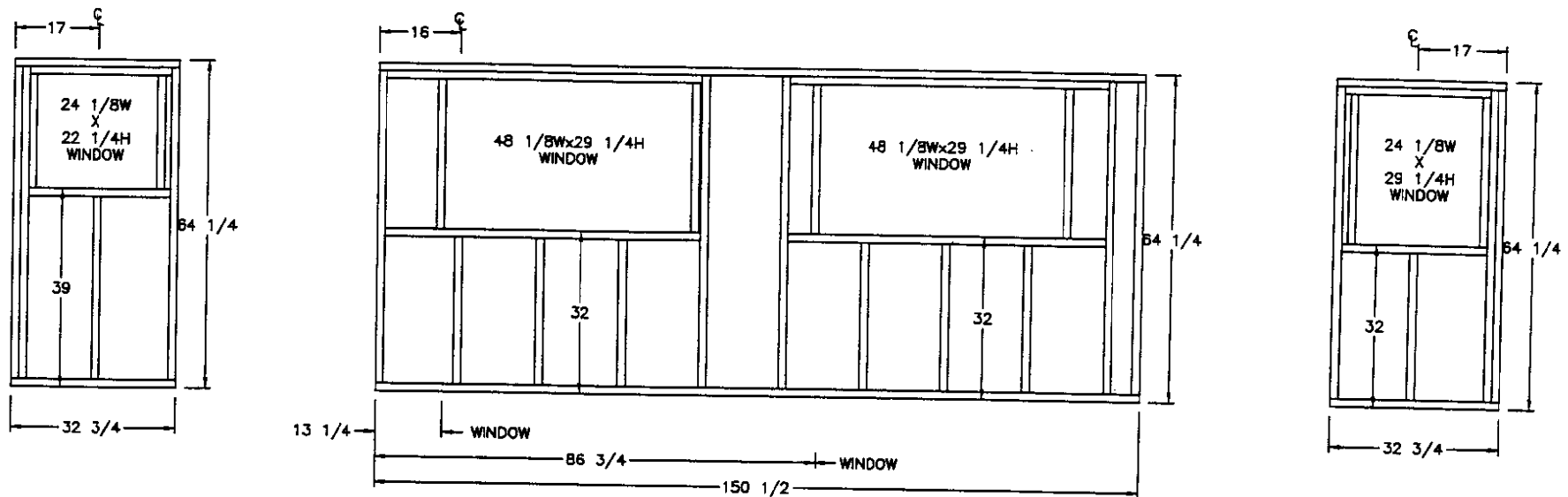
ALL MATERIAL TO BE ALUMINUM  
EXCEPT T.V. O.H. CAB. BACKER

<b>NEWMAR CORP</b> P.O. Box 30, Nappanee, IN. 46550 Title block--1-5TB	'97 Model: <b>DA'S</b>	Sheet <b>1 OF 1</b>	Drawn by: <b>BRETT</b>	Checked by: <i>[Signature]</i>	Revision:	By:
	Title: <b>TYPICAL ROOF RAFTER</b>	I.D. # R/R/ <b>7DA</b>	Date: <b>2/21/96</b>	Date: <b>5-28</b>	Revision:	By:



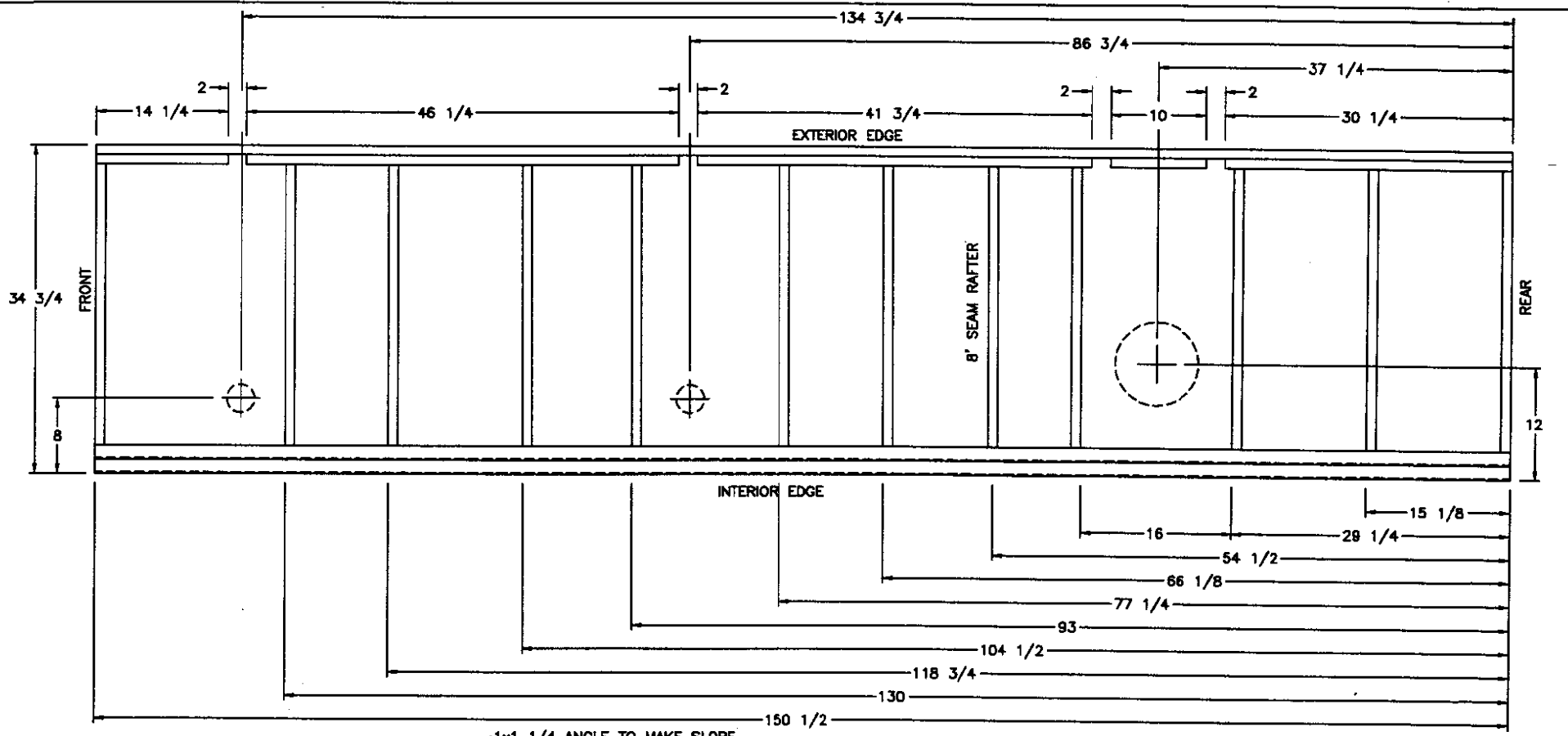
MATERIAL  
 DOUBLE 1/2" PLYW'D  
 1/4" STEEL PLATE @ FRONT & ENDS

<b>NEWMAR CORP</b> P.O. Box 30, Nappanee, IN. 48550 Title block--75TB	'97 Model: <b>DA 3658</b>	Sheet <b>1 OF 1</b>	Drawn by: <b>BRETT</b>	Checked by: <i>RS</i>	Revision:	By:
	Title: <b>13 FT. SLIDE-OUT FLOOR</b>	I.D. # <b>0/F/713</b>	Date: <b>3/8/96</b>	Date: <b>5-28</b>	Revision:	Date:

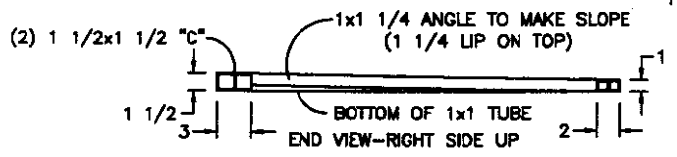


NOTES  
 MAIN WALL - 1 1/2x1 1/2 ALUMINUM STUDS  
 END WALLS - 1x1 1/4 ALUMINUM STUDS  
 ALL WALLS DRAWN AS IN JIG POSITION  
 STUDS SPACED 16" ON CENTER

<b>NEWMAR CORP</b> P.O. Box 30, Nappanee, IN. 48560 Title block--5TB	'97 Model: DA 3658	Sheet 1 OF 1	Drawn by: -- BRETT	Checked by: RS	Revision: SHORTENED SIDEWALLS 1/4"	By: BRETT
	Title: 13 FT. SLIDE-OUT	I.D. # O/S/ 7DA13	Date: 3/8/96	Date: 5-28	Revision:	Date: 5/1

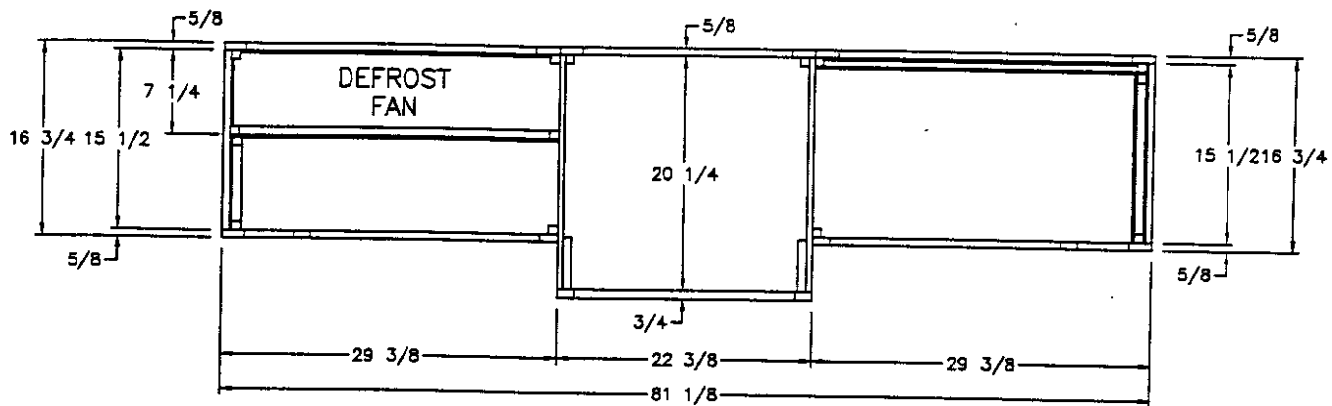


DA 3658  
 DA 3682  
 DP 3456  
 DP 3758



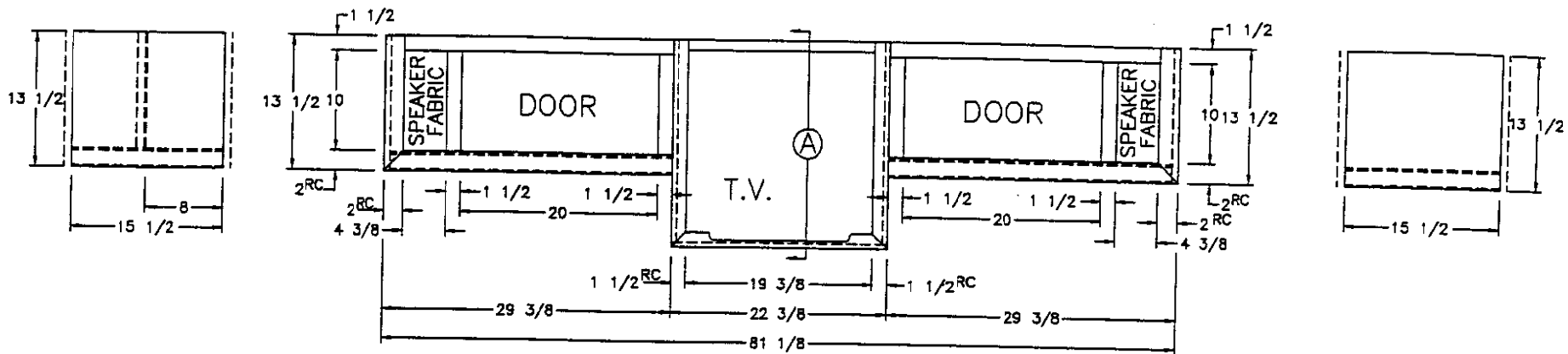
NOTE  
 VIEW IS FROM INTERIOR  
 1x1 ALUM. TUBES EXCEPT FOR 1x1 1/4 ANGLE WHERE NOTED

<b>NEWMAR CORP</b> P.O. Box 30, Nappanee, IN. 46560 Title block--1TB	'97 Model: <b>SEE UNITS ABOVE</b>	Sheet <b>1 OF 1</b>	Drawn by: <b>BRETT</b>	Checked by: <i>WJW</i>	Revision: <b>MOVED HALOGEN LIGHTS OUT (PCR #980391)</b>	By: <b>BRETT</b>
	Title: <b>13 FT. SLIDE-OUT RAFTERS</b>	I.D. # <b>O/R/ 7DA13</b>	Date: <b>3/8/96</b>	Date: <b>5-15</b>	Revision:	Date: <b>5/15</b>



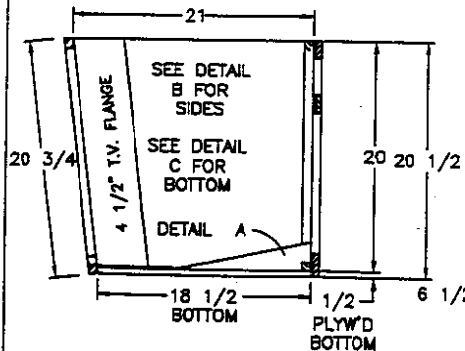
NOTE: OVERALL DIM. WILL BE APPROX.  
 $\frac{3}{4}$ " MORE W. VINYL WRAPPED T.V. BOX

<b>NEWMAR CORP</b> P.O. Box 30, Nappanee, IN. 46550 Title block--17B	'97 Model:	Sheet	Drawn by:	Checked by:	Revision:	By:
	DA'S	1 OF 3	BRETT	<i>Bs</i>	←	
	Title:	I.D. #	Date:	Date:	Revision:	By:
	T.V. OHC (TOP VIEW)	C/L 7DS1	2/21/96	5-28		
						Date:

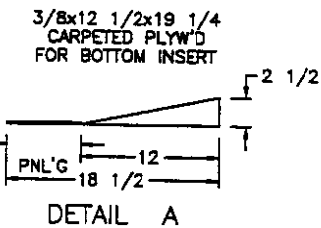


NOTE: OVERALL DIM. WILL BE APPROX.  
 3/4" MORE W./VINYL WRAPPED T.V. BOX

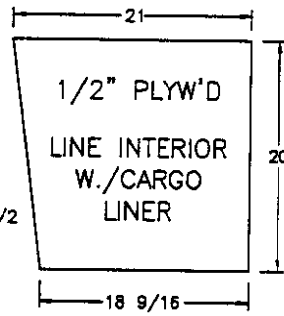
(2) 20 1/2x10 1/2 DOORS



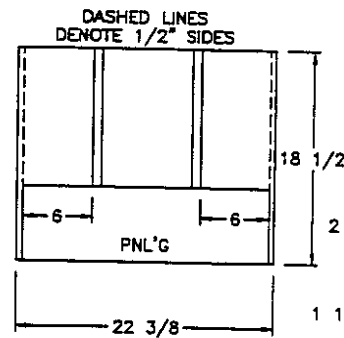
SIDE SECTION (A)



DETAIL A

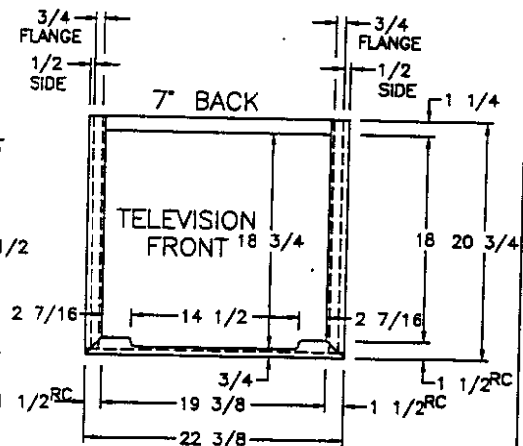


DETAIL B - SIDES  
(2) REQ'D



DETAIL C - BOTTOM

1/2" PLYW'D



NEWMAR CORP  
 P.O. Box 30,  
 Napanee, IN. 46550

'97 Model:  
**DA'S**  
 Title:

T.V. OHC (FRONT)

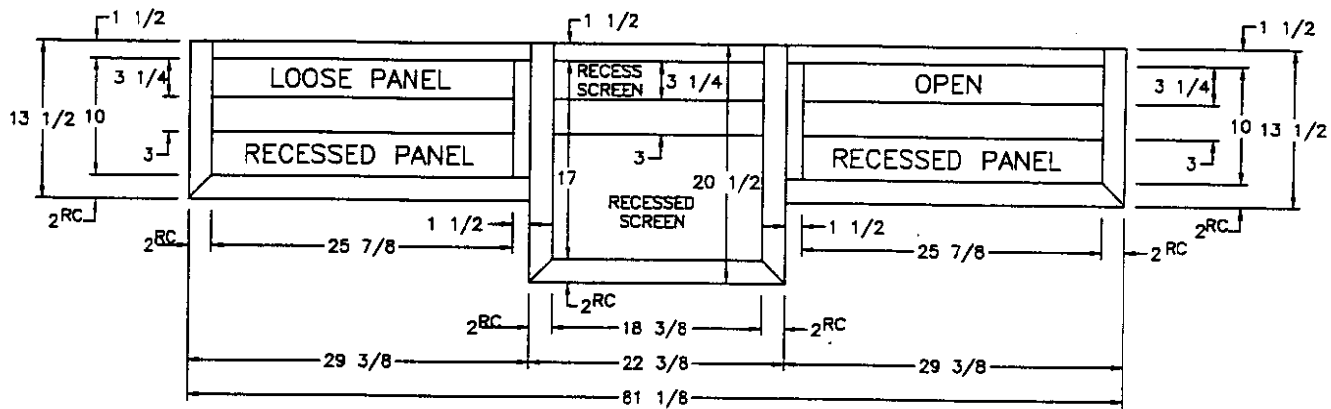
Sheet  
**2 OF 3**  
 I.D. # C/L/  
 7DS1

Drwn by: **BRETT**  
 Date: 2/21/96

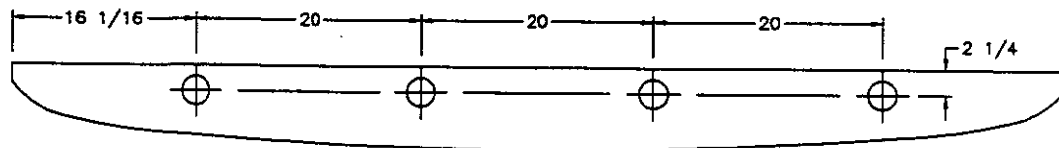
Checked by: **RS**  
 Date: 5-29

Revision:	By:
Revision:	Date:
Revision:	By:
Revision:	Date:

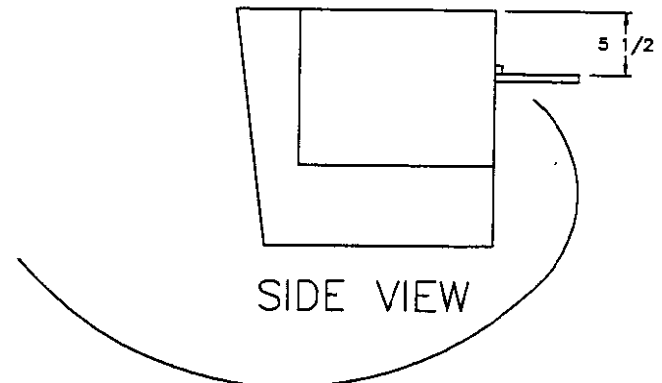




NOTE: OVERALL DIM. WILL BE APPROX.  
3/4" MORE W./VINYL WRAPPED T.V. BOX



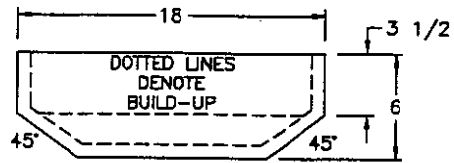
CUT PER PATTERN



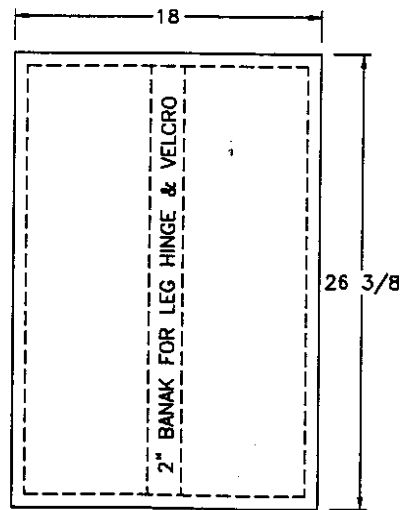
SIDE VIEW

<b>NEWMAR CORP</b> P.O. Box 30, Nappanee, IN. 46550 Title block--1TB	'97 Model: DA S	Sheet 3 OF 3	Drawn by: BRETT	Checked by: RS	Revision: INCORPORATED 3" STILES IN FROM LAST YEAR	By: BRETT
	Title: T.V. OHC (BACK)	I.D. # C/L/ 7DS1	Date: 2/21/96	Date: 5-28	Revision:	Date: 3/19
						By:
						Date:

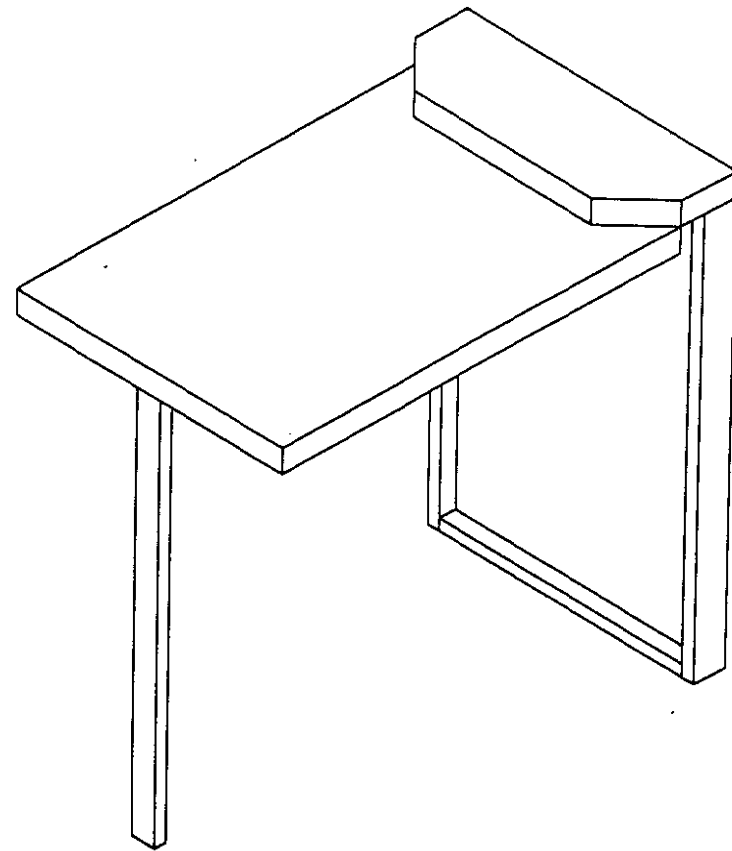
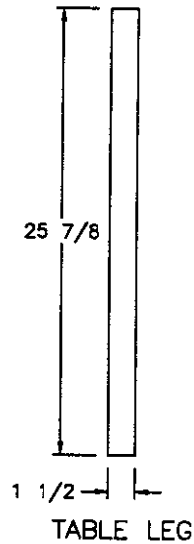




TOP VIEW OF FRAME TOP

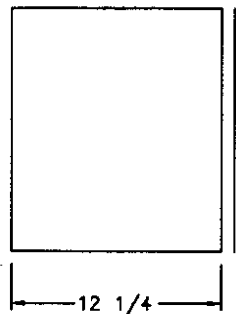


DOTTED LINES DENOTE BUILD-UP  
TOP VIEW OF TABLE

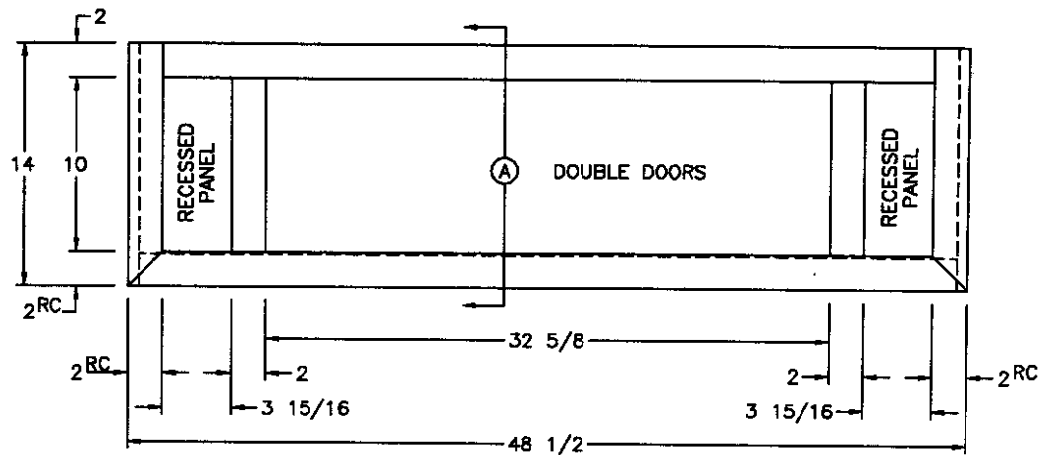


DA 3658

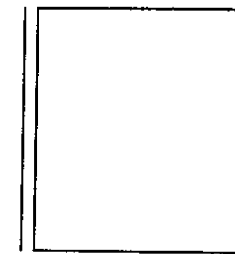
<b>NEWMAR CORP</b> P.O. Box 30, Nappanee, IN. 46560 Title block--1-5TB	'97 Model:	Sheet	Drawn by:	Checked by:	Revision: TABLE LENGTH TO CLEAR CARPET	By: BRETT
	SEE UNITS ABOVE	2 OF 2	BRETT	RS		Date: 3/21
Title: 18" FLIPPER TABLE LEG & TOP	I.D. # c/L/	Date:	Date:	Revision:		By:
	7DS5	3/12/96	5-28			Date:



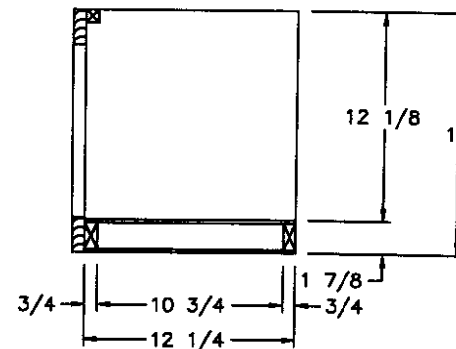
SIDE VIEW



FRONT VIEW  
(2) 16 1/2x10 1/2 DOORS

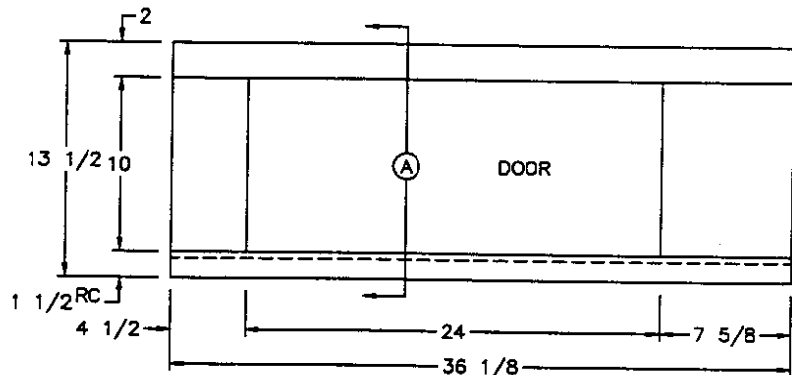


SIDE VIEW

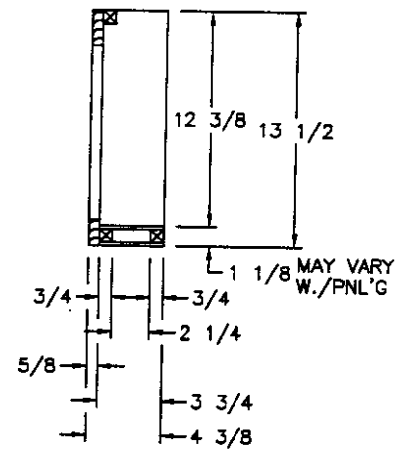


SIDE SECTION (A)

<b>NEWMAR CORP</b> P.O. Box 30, Nappanee, IN. 48560 Title block--1-5TB	'97 Model: DA 3658/DA 3682	Sheet 1 OF 1	Drawn by: BRETT	Checked by: <i>B</i>	Revision: HEIGHT OF SIDE SECTION 'A'	By: BRETT
	Title: DOOR SIDE OHC	I.D. # C/L/ 7DS6	Date: 3/12/96	Date: 6-19	Revision: DEPTH FOR SATELLITE RECEIVER	Date: 3/29
						Date: 6/18

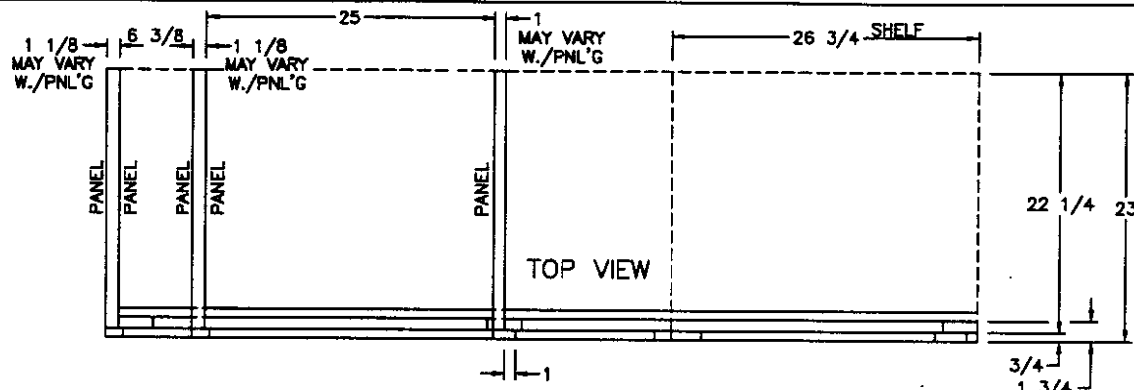


FRONT VIEW  
(1) 24 1/2x10 1/2 DOOR



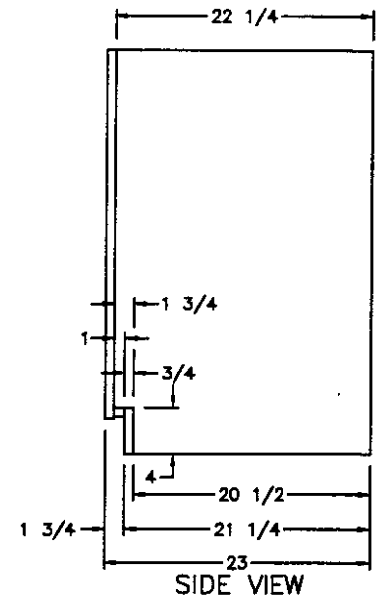
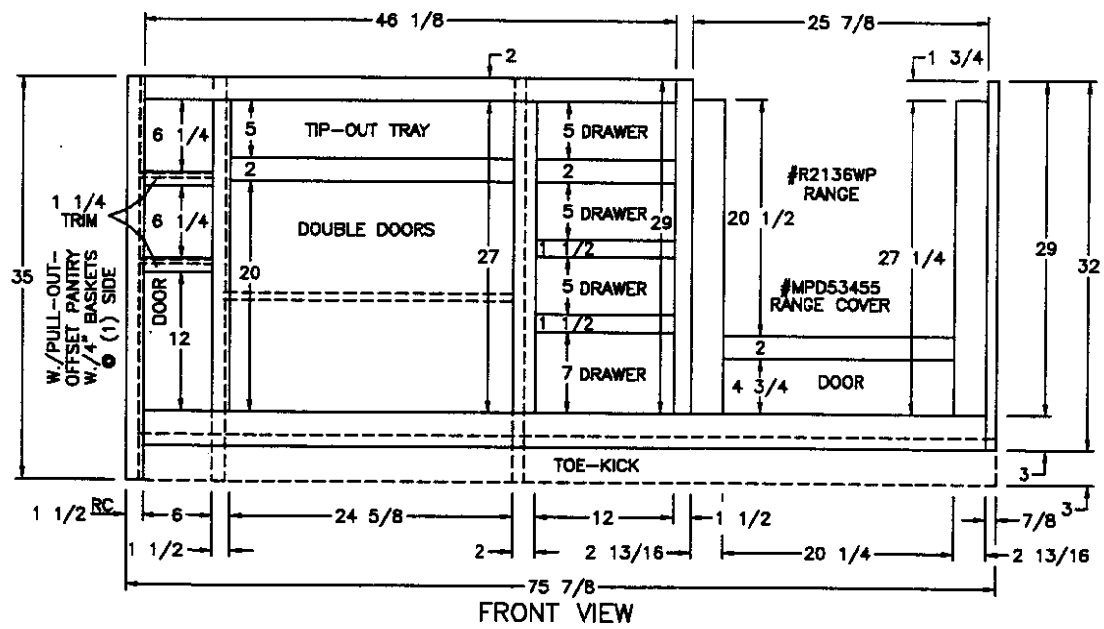
SIDE SECTION (A)

<b>NEWMAR CORP</b> P.O. Box 30, Nappanee, IN. 46550 Title block--1-5TB	'97 Model: DA 3658	Sheet 1 OF 1	Drawn by: BRETT	Checked by: RS	Revision:	By:
	Title: ENTRANCE OHC	I.D. # C/L/ 7DS7	Date: 3/12/96	Date: 5-28	Revision:	Date:
						By:
						Date:



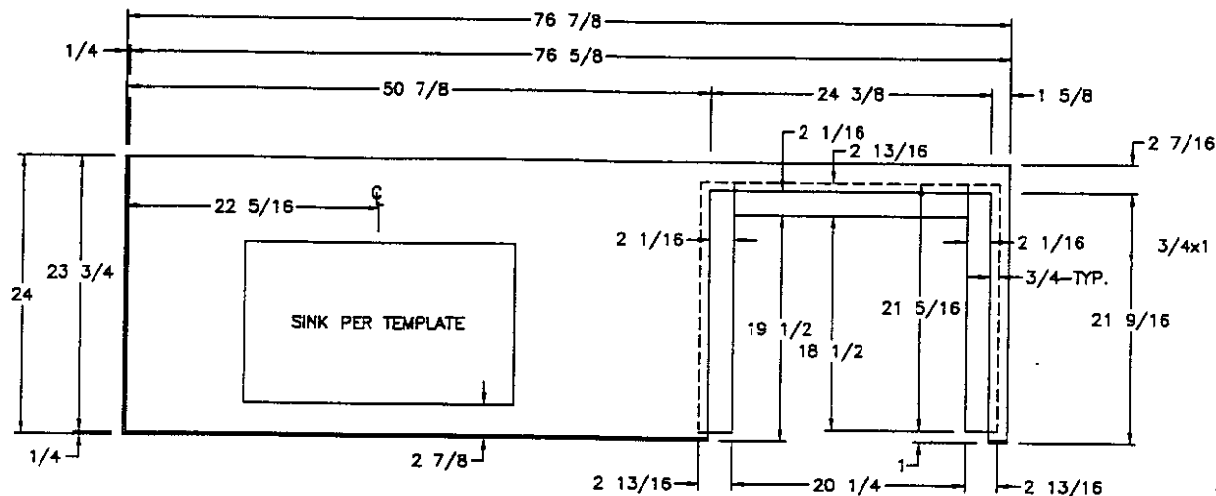
- (1) 6 1/2x27 1/2 DOOR
- (1) 25 1/8x5 1/2 FRONT
- (2) 12 1/2x20 1/2 DOORS (LOUVERED W./ 40,000 FURNACE)
- (3) 12 1/2x5 3/4 FRONTS
- (1) 12 1/2x7 3/4 FRONT
- (1) 20 3/4x5 3/4 FRONT

HDWD/FORMICA



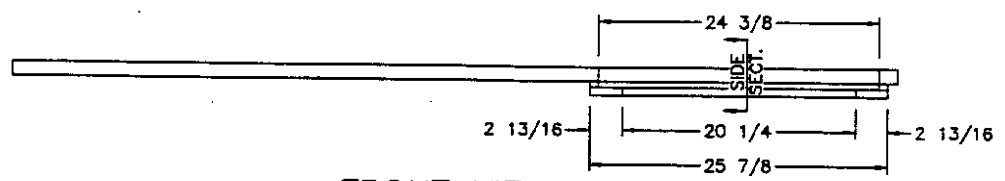
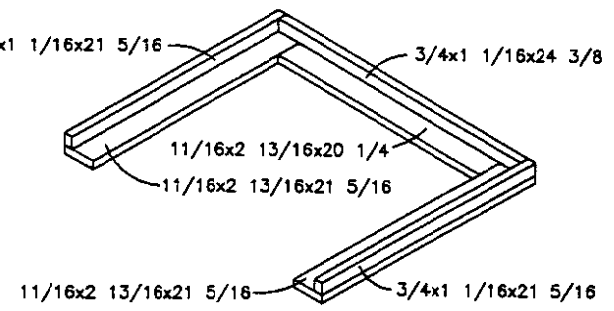
DA 3455  
DA 3658

<b>NEWMAR CORP</b> P.O. Box 30, Napanee, IN. 46550 Title block--1TB	'97 Model:	Sheet	Drawn by:	Checked by:	Revision:	By:
	SEE UNITS ABOVE	1 OF 3	BRETT	RS		Date:
Title:	I.D. #	C/C/	Date:	Date:	Revision:	By:
KITCHEN BASE	7DS1		2/21/96	5-28		Date:

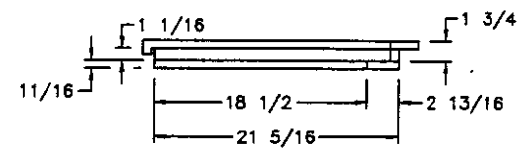


TOP VIEW

NOTE: THESE DIM'S ARE BEFORE INSIDE FORMICA IS APPLIED



FRONT VIEW

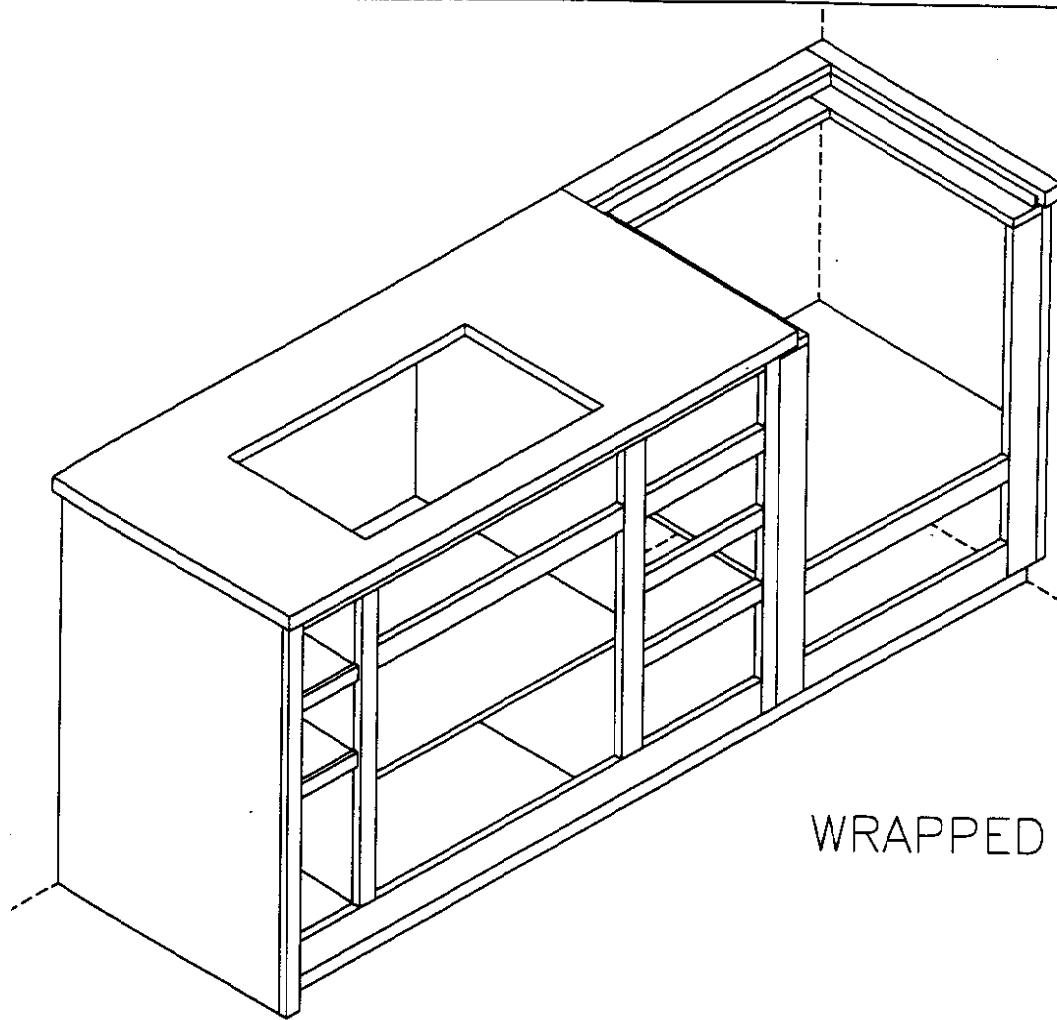


SIDE SECTION

DA 3455  
DA 3658

11/16 FORMICA MATERIAL

<b>NEWMAR CORP</b> P.O. Box 30, Nappanee, IN. 46560 Title block--1TB	'97 Model:	Sheet	Drawn by:	Checked by:	Revision: REVISED DUE TO EDGE THICKNESS	By: BRETT
	SEE UNITS ABOVE	2 OF 3	BRETT	RS		Date: 5/6
Title:	I.D. #	c/c/	Date:	Date:	Revision:	By:
KITCHEN TOP	7DS1		2/21/96	5-28		Date:

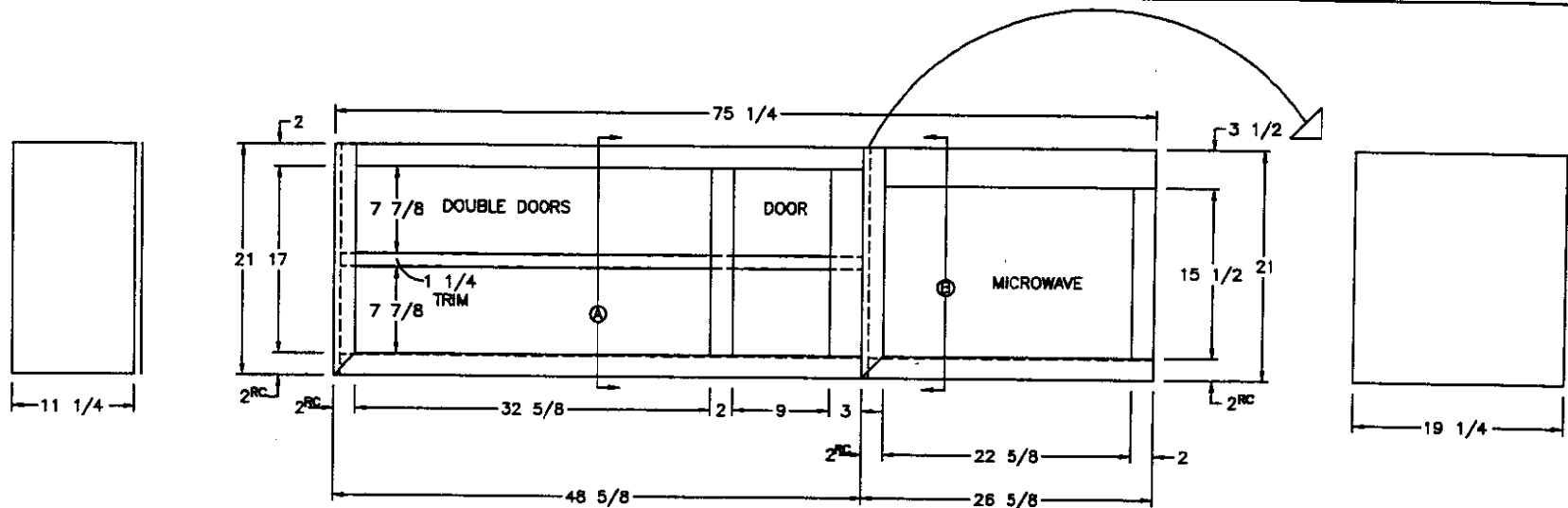


WRAPPED STILE/FORMICA

DA 3455  
DA 3658

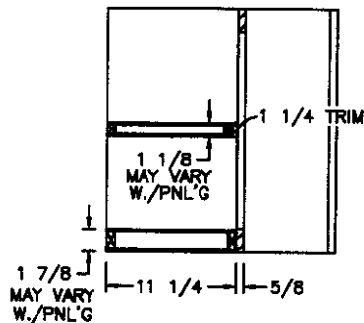
<b>NEWMAR CORP</b> P.O. Box 30, Napanee, IN. 46550 Title block--1TB	'97 Model:	Sheet	Drawn by: --	Checked by:	Revision: REVISED DUE TO EDGE THICKNESS	By: BRETT
	SEE UNITS ABOVE	3 OF 3	BRETT	PS		Date: 5/6
Title:	I.D. #	C/C/	Date:	Date:	Revision:	By:
KITCHEN ISOMETRIC	7DS1		2/21/96	5-28		Date:



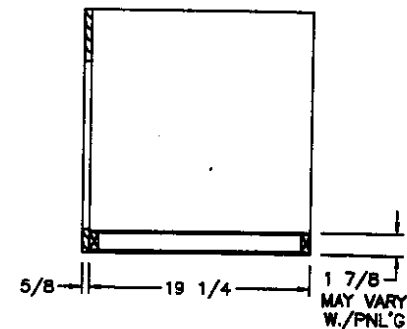


FRONT VIEW

- (2) 16 1/2 x 17 1/2 DOORS
- (1) 9 1/2 x 17 1/2 DOORS



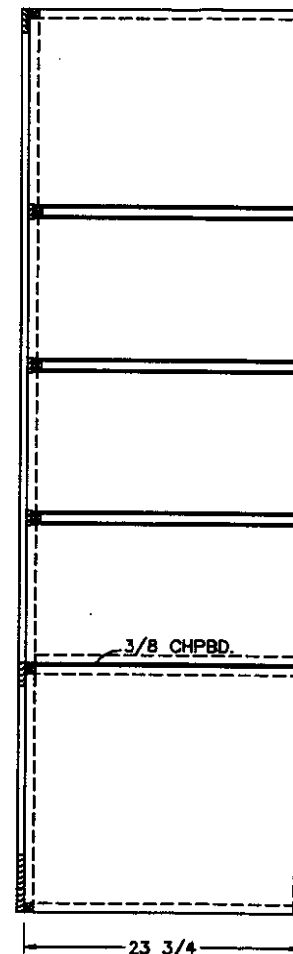
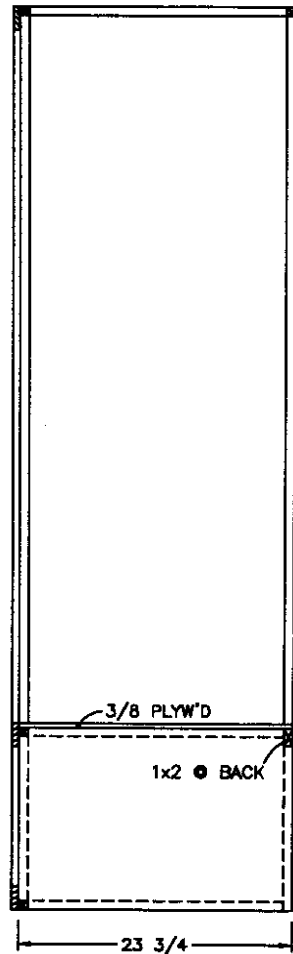
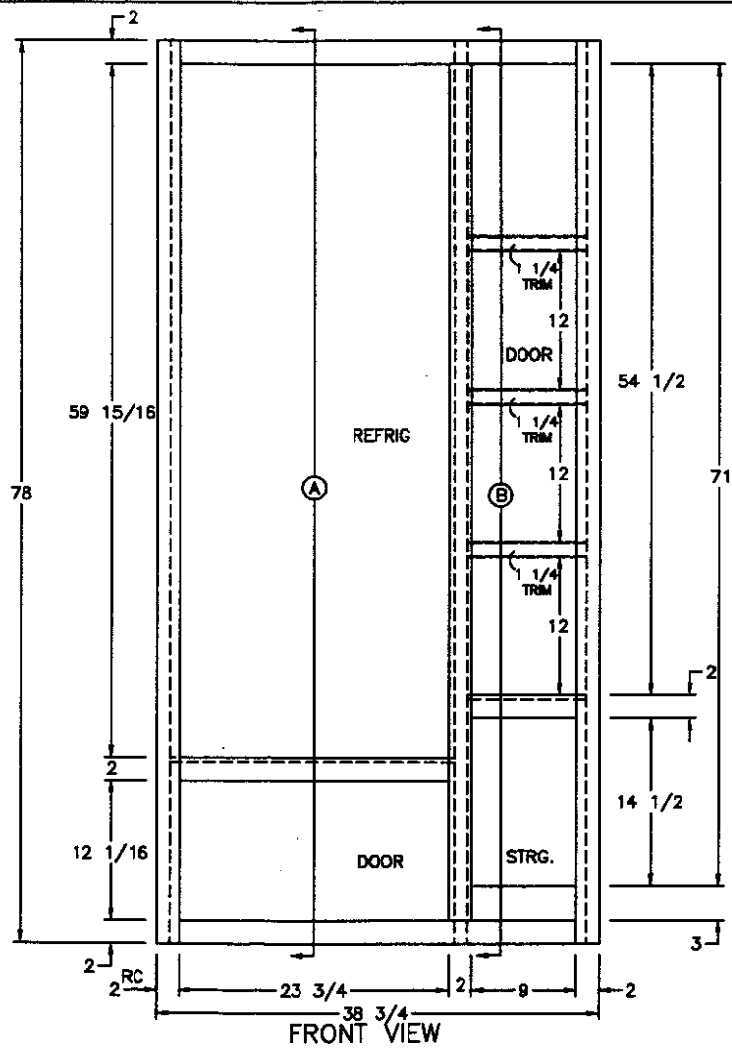
SIDE SECTION (A)



SIDE SECTION (B)

DA 3455  
DA 3658

<b>NEWMAR CORP</b> P.O. Box 30, Nappanee, IN. 46550	'97 Model:	Sheet	Drawn by:	Checked by:	Revision:	By:
	SEE UNITS ABOVE	1 OF 1	BRETT			Date:
Title:	I.D. # C/C/	Date:	Date:	Date:	Revision:	By:
22" KITCHEN OHC	7DS2	2/21/96	5-28			Date:



SIDE SECTION (A)

SIDE SECTION (B)

(1) 24 1/2x12 9/16 DOOR  
 (1) 9 1/2x71 1/2 DOOR

**NEWMAR CORP**  
 P.O. Box 30,  
 Nappanee, IN. 46550

'97 Model:  
**DA 3658**  
 Title: **REFRIGERATOR  
 /PANTRY**

Sheet  
**1 OF 1**  
 I.D. # C/W/  
**7DS6**

Drawn by:  
**BRETT**  
 Date:  
**3/12/96**

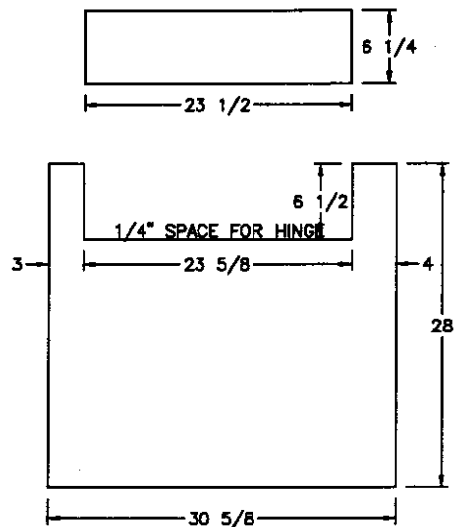
Checked by:  
**WJM**  
 Date: **11-20-96**

Revision: **DRAWER TO DOOR (PCR #971215)**

Revision: **RAISED REFRIG FOR NEW DOOR (PCR #97748)**

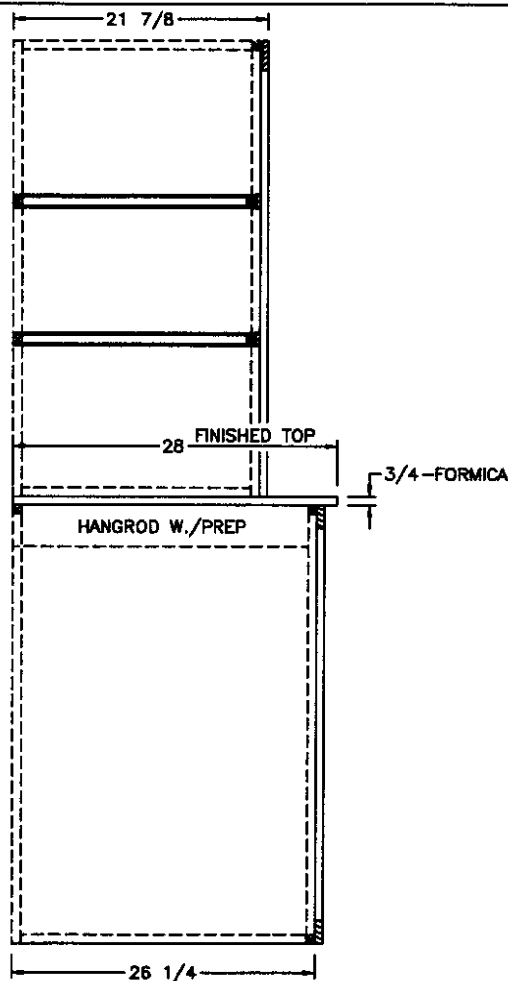
By: **BRETT**  
 Date: **11/26**  
 By: **BRETT**  
 Date: **9/5**

Title block--1TB

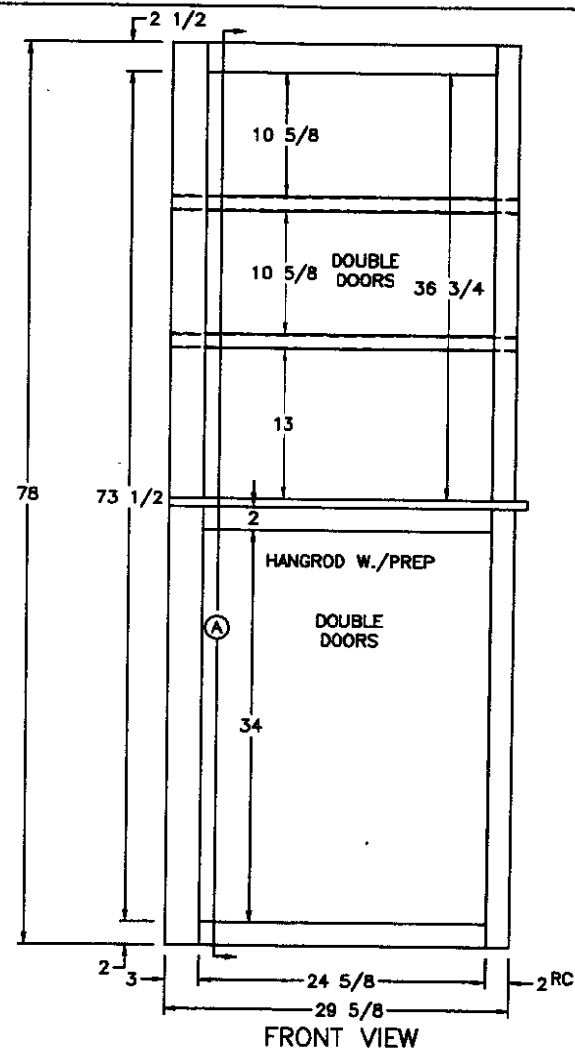


- (2) 12 1/2x36 3/4 DOORS
- (2) 12 1/2x34 1/2 DOORS
- LOUVERED W./WASH-DRY

FORMICA

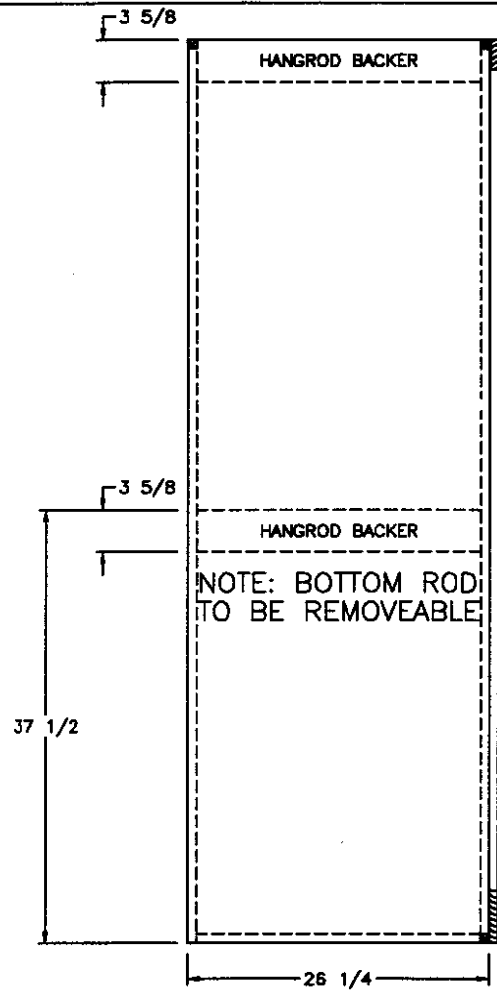


SIDE SECTION (A)

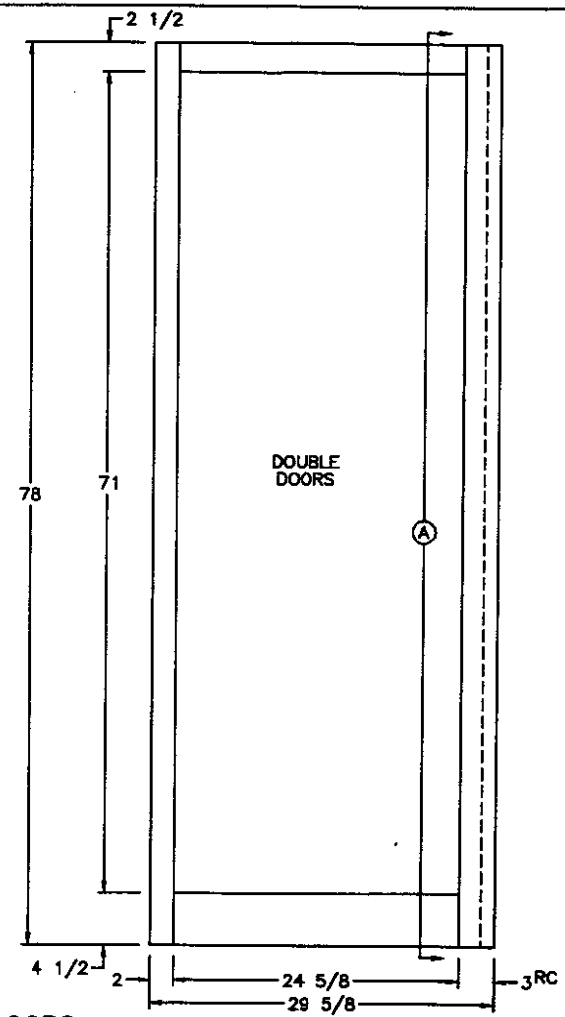


FRONT VIEW

<b>NEWMAR CORP</b> P.O. Box 30, Nappanee, IN. 46550 Title block--ITB	'97 Model: <b>DA 3658</b>	Sheet <b>1 OF 1</b>	Drawn by: <b>BRETT</b>	Checked by: <i>[Signature]</i>	Revision: <b>BOTTOM LOUVERED DOORS NOT STANDARD</b>	By: <b>BRETT</b> Date: <b>5/2</b>
	Title: <b>ODS WARDROBE W./          WASH/DRY OR PREP</b>	I.D. # <b>CABM/W/          7DS7</b>	Date: <b>3/12/96</b>	Date: <b>7-29</b>	Revision: <b>OVERALL HEIGHT DUE TO VINYL/FAUCET ACCESS</b>	By: <b>BRETT</b> Date: <b>7/26</b>



SIDE SECTION (A)



FRONT VIEW

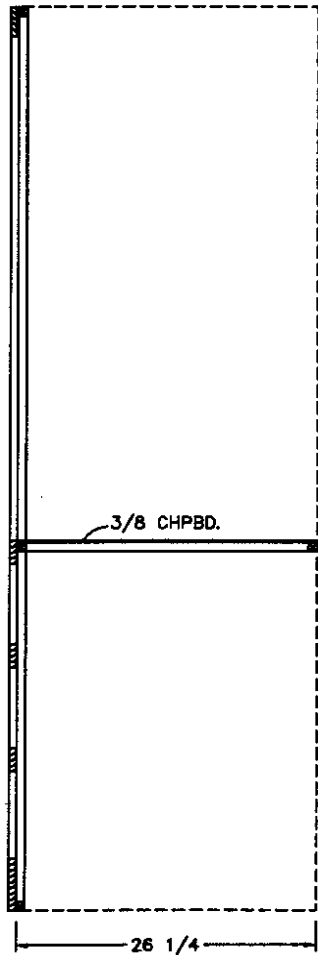
(2) 12 1/2x71 1/2 DOORS

DA 3658  
SA 3760

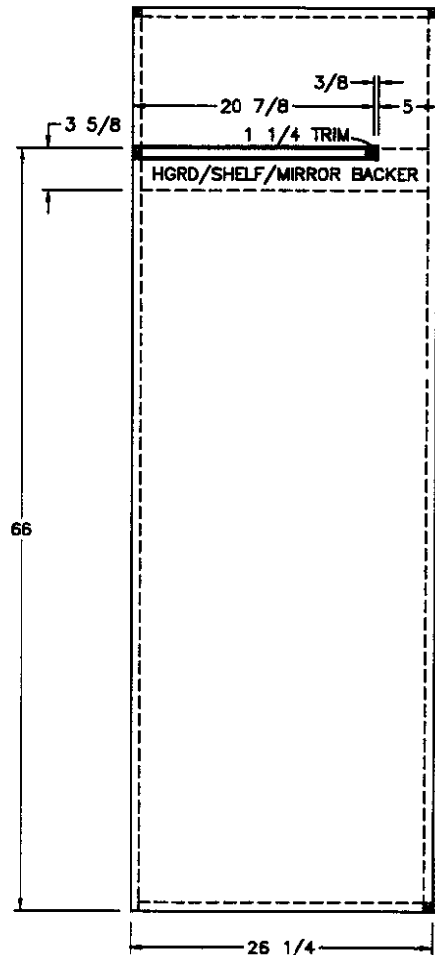
<b>NEWMAR CORP</b> P.O. Box 30, Nappanee, IN. 46550 Title block--1TB	'97 Model: SEE UNITS ABOVE	Sheet 1 OF 1	Drawn by: BRETT	Checked by: B	Revision:	By:
	Title: OPTIONAL FULL LENGTH KITCHEN WARD	I.D. # MSC/2/OPT/ 792	Date: 7/26/96	Date: 7-29	Revision:	Date:
						By:
						Date:



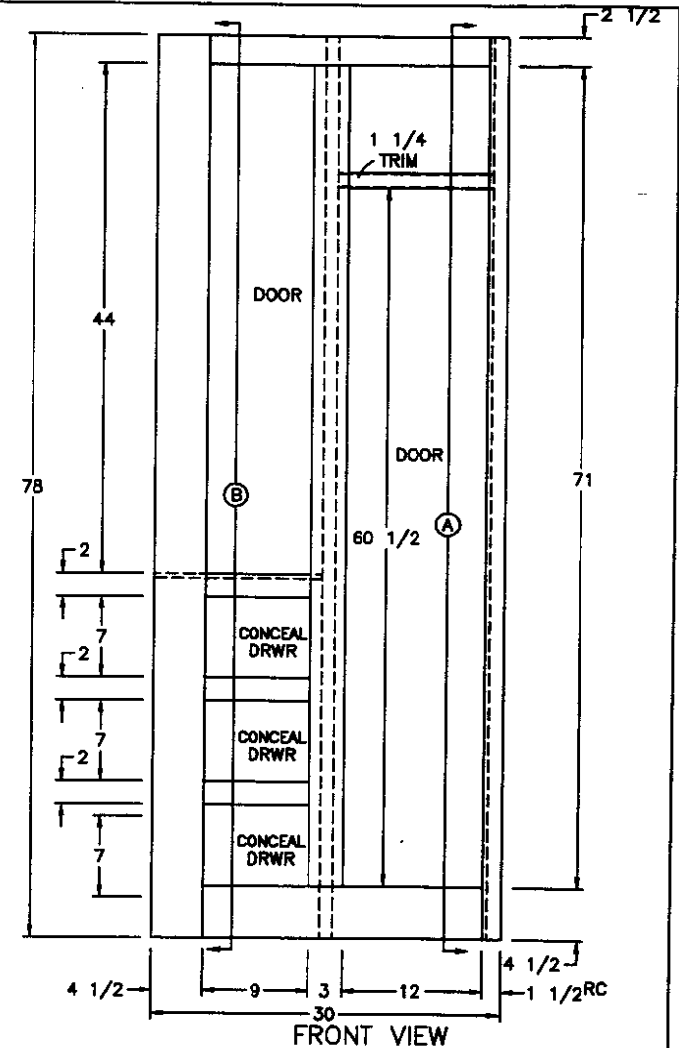
- (1) 9 1/2 x 71 1/2 DOOR
- (1) 12 1/2 x 71 1/2 DOOR



SIDE SECTION (B)

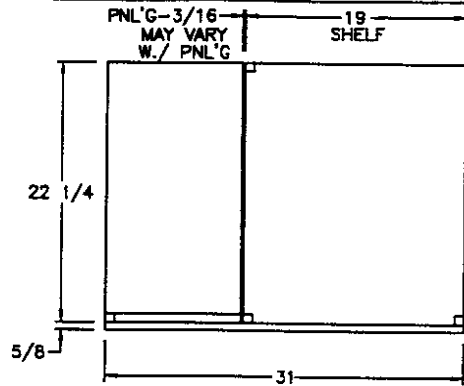


SIDE SECTION (A)

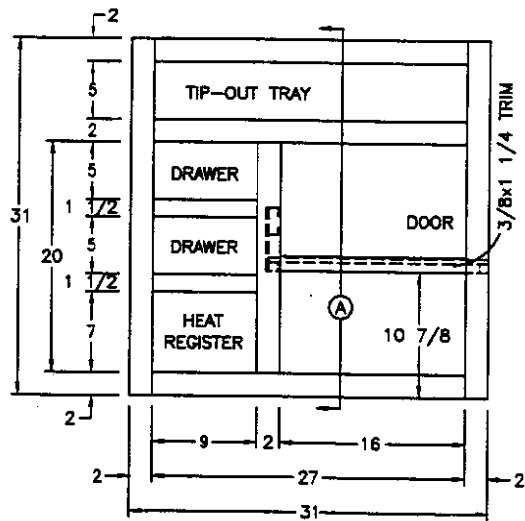


FRONT VIEW

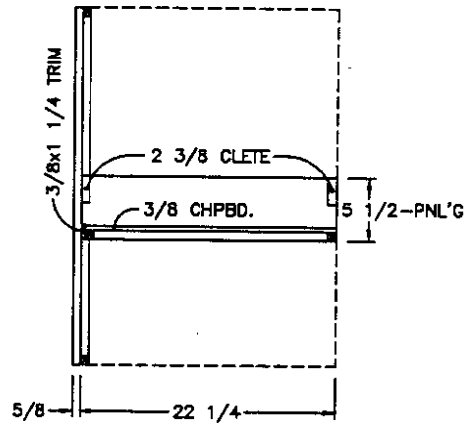
<b>NEWMAR CORP</b> P.O. Box 30, Napanee, IN. 46550 Title block--1TB	'97 Model: DA 3658	Sheet 1 OF 1	Drawn by: BRETT	Checked by: <i>B</i>	Revision: OVERALL HEIGHT DUE TO VINYL	By: BRETT
	Title: OPTIONAL KITCHEN WARD W./DRAWERS	I.D. # CABM/W/ 7DS26	Date: 5/2/96	Date: 7/29	Revision:	Date: 7/26
						By:
						Date:



TOP VIEW



FRONT VIEW



SIDE SECTION (A)

- (1) 27 1/2x5 1/2 FRONT
- (2) 9 1/2x5 3/4 FRONTS
- (1) 16 1/2x20 1/2 DOOR

DA 3658

**NEWMAR CORP**  
P.O. Box 30,  
Napponee, IN. 46550

Title block--1TB

'97 Model:  
**SEE UNITS ABOVE**  
Title:  
**LAVATORY BASE**

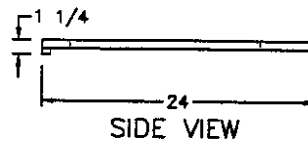
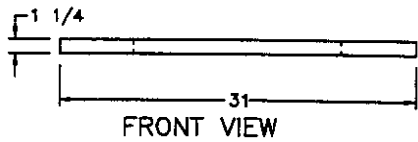
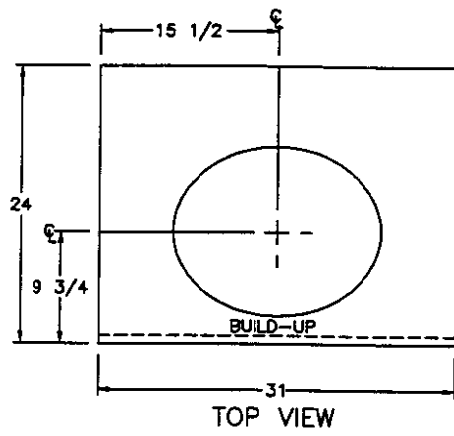
Sheet  
**1 OF 2**  
I.D. # C/A/  
**7DS4**

Drawn by:  
**BRETT**  
Date:  
**3/12/96**

Checked by:  
**RS**  
Date:  
**5-28**

Revision:

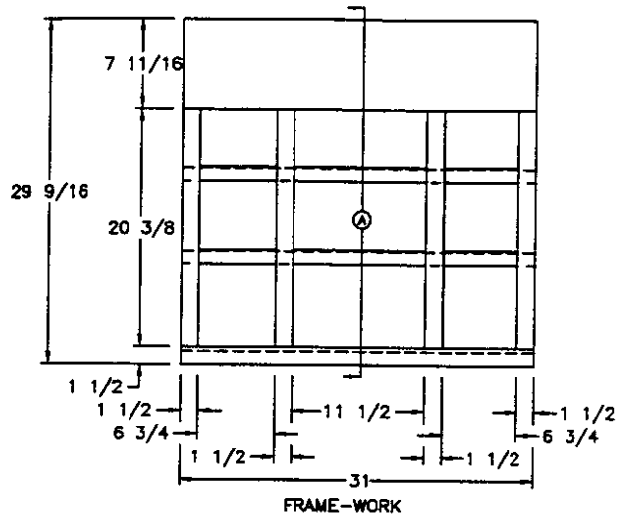
By:  
Date:  
By:  
Date:



DA 3658

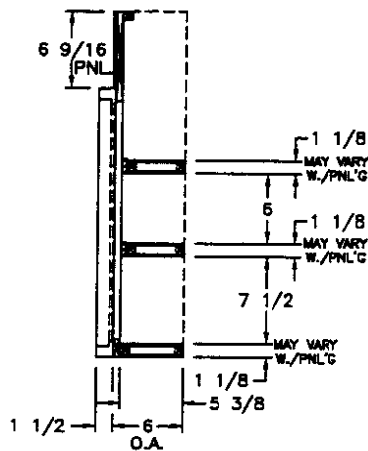
<b>NEWMAR CORP</b> P.O. Box 30, Nappanee, IN. 46550 Title block--1TB	'97 Model:	Sheet	Drawn by:	Checked by:	Revision:	By:
	SEE UNITS ABOVE	2 OF 2	BRETT	RS		
Title:	I.D. #	C/A/	Date:	Date:	Revision:	By:
LAVATORY TOP	7DS4		3/12/96	5-28		
						Date:



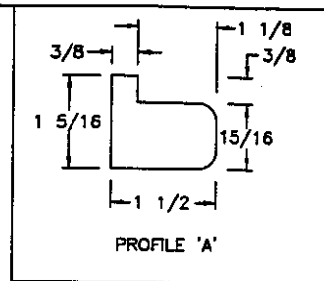


FRAME-WORK

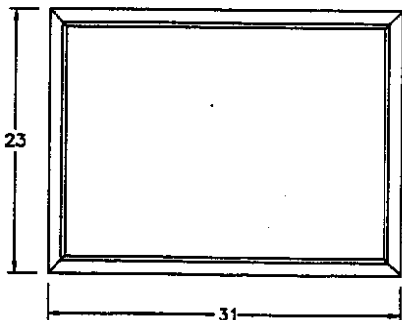
DECORATIVE WALL PANEL  
TOP BETWEEN MIRROR FRAME  
& CEILING



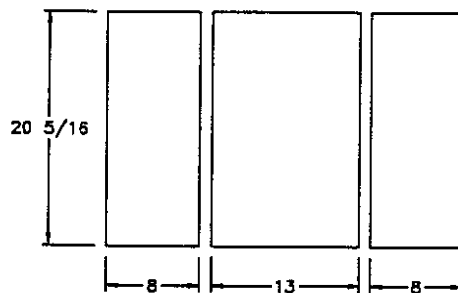
SIDE SECTION A



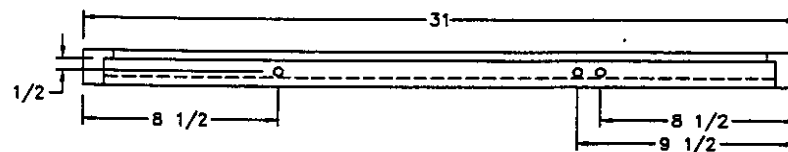
PROFILE 'A'



MIRROR FRAME  
SEE PROFILE 'A' FOR MOLDING



MIRROR SIZES



MIRROR HARDWARE HOLE POSITION  
USE SAME APPLICATION TOP & BOTTOM STILES

DA 3658

NEWMAR CORP  
P.O. Box 30,  
Nappanee, IN. 46650

Title block--1TB

'97 Model:  
SEE UNITS ABOVE

Title:  
MEDICINE CABINET

Sheet  
1 OF 1

I.D. # C/A/  
7DS5

Drwn by:  
BRETT

Date:  
3/12/96

Checked by:  
RS

Date:  
5-28

Revision:

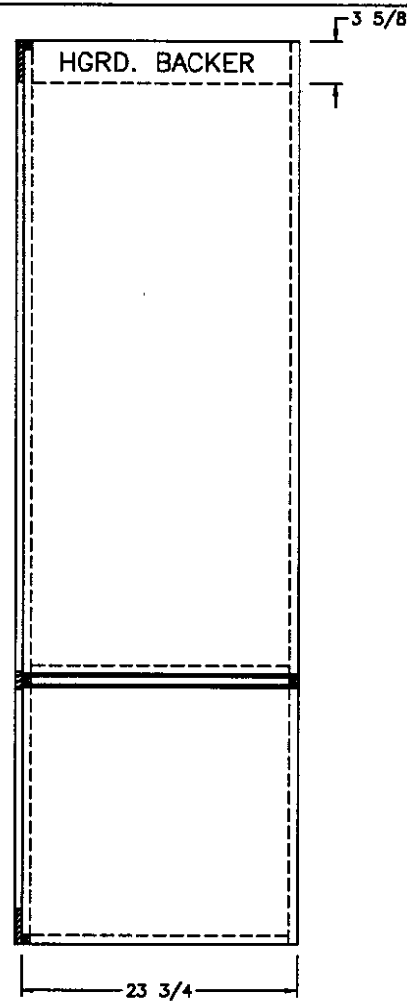
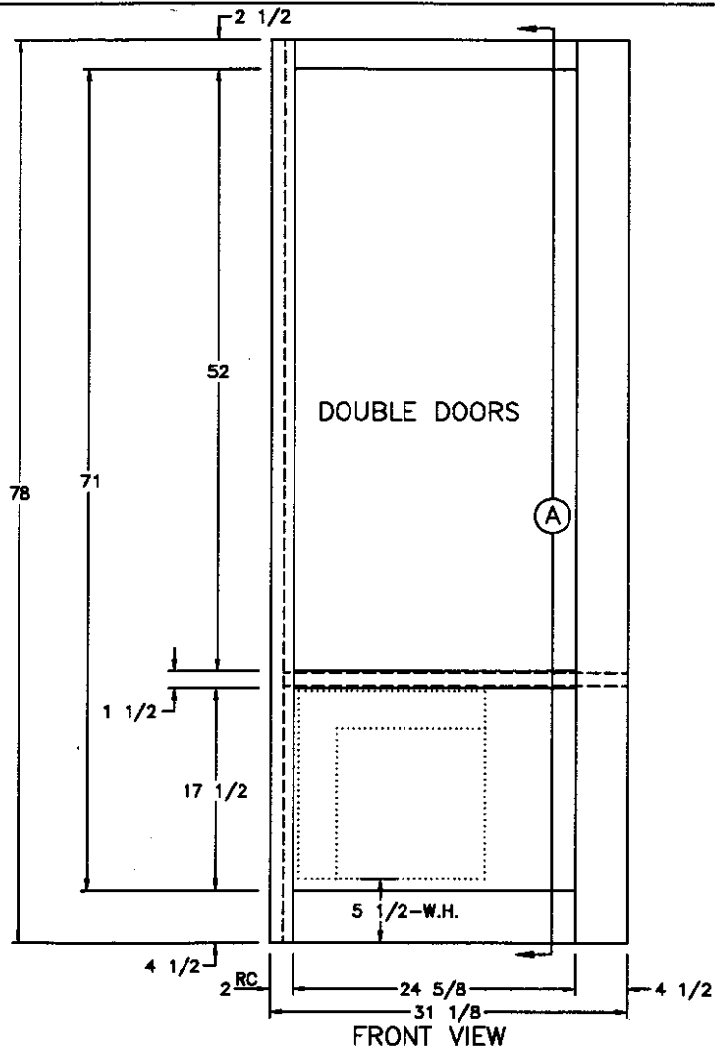
Revision:

By:

Date:

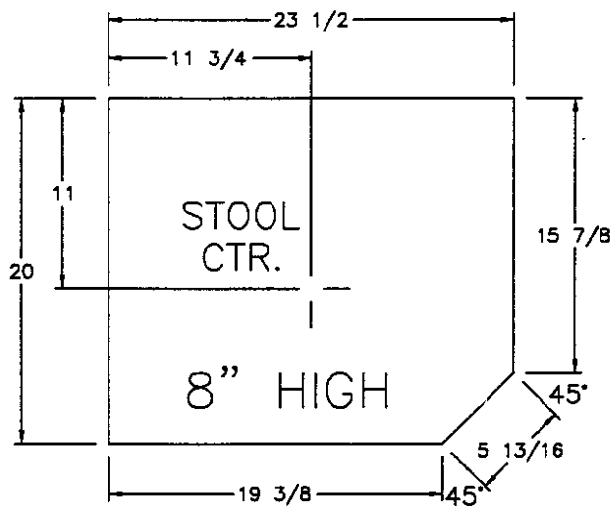
By:

Date:

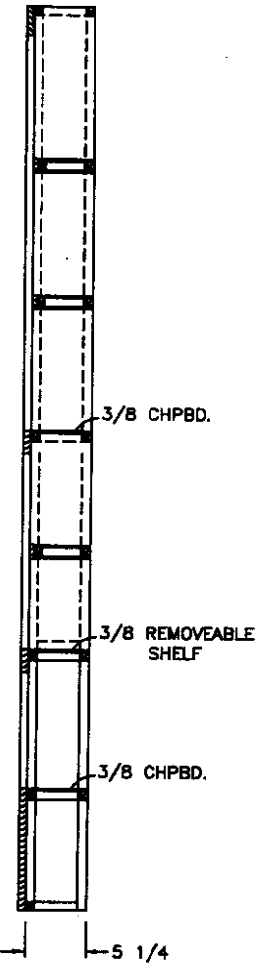
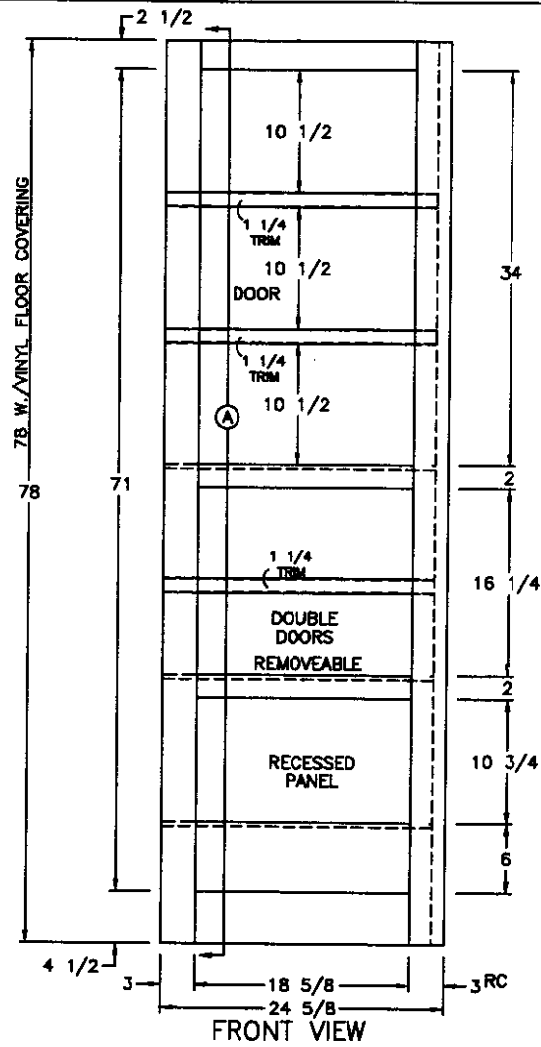


(2) 12 1/2x71 1/2 MIRROR DOORS

<b>NEWMAR CORP</b> P.O. Box 30, Nappanee, IN. 46560 Title block--1TB	'97 Model: DA 3658	Sheet 1 OF 1	Drawn by: BRETT	Checked by: <i>B</i>	Revision: OVERALL HEIGHT DUE TO VINYL	By: BRETT
	Title: BATH WARDROBE	I.D. # C/W/ 7DS9	Date: 3/12/96	Date: 7/21	Revision:	Date: 7/26

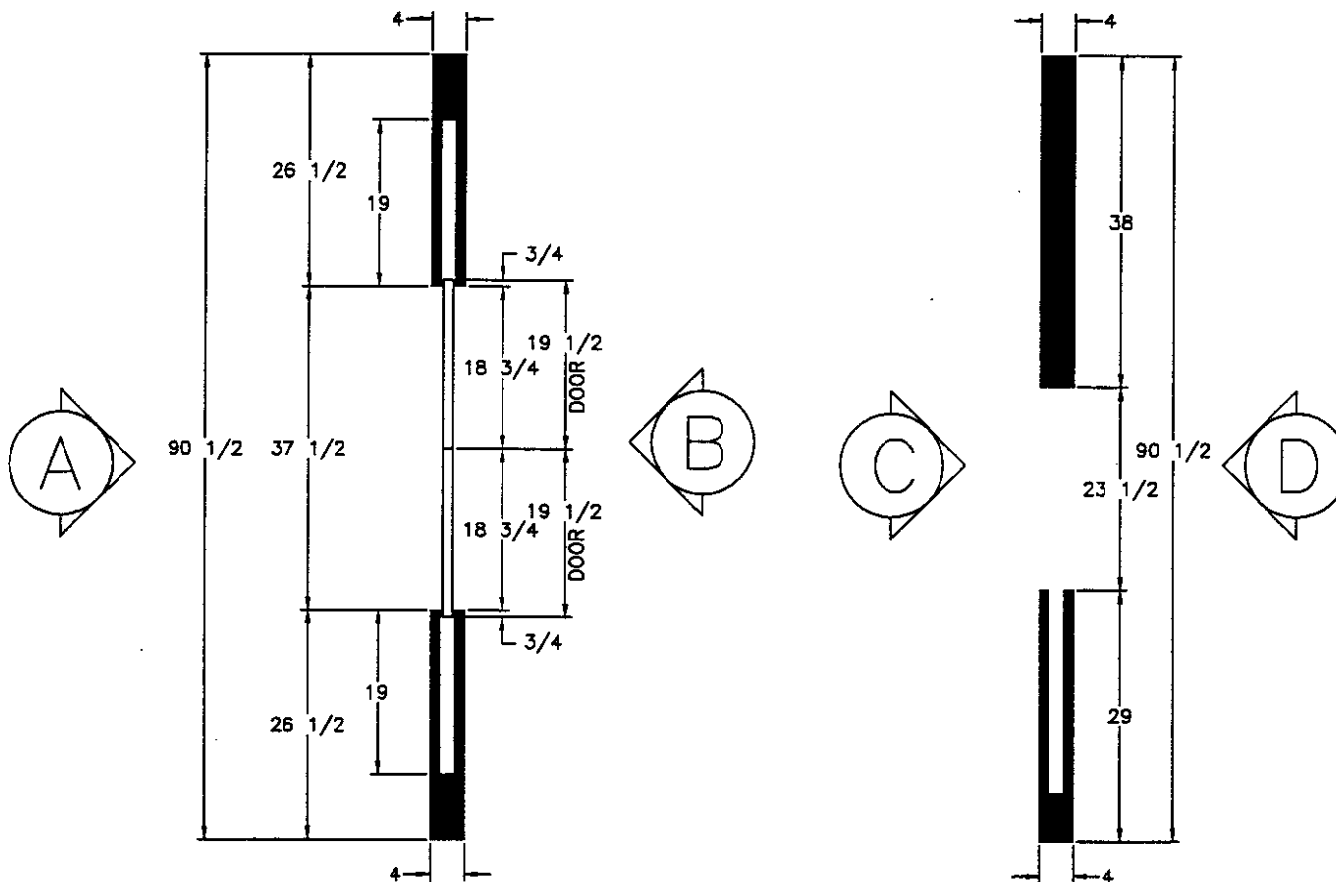


<b>NEWMAR CORP</b> P.O. Box 30, Nappanee, IN. 46550 Title block--1-5TB	'97 Model: DA 3658	Sheet 1 OF 1	Drawn by: BRETT	Checked by: RS	Revision: STOOL HEIGHT	By: BRETT
	Title: STOOL BOX	I.D. # C/A/ 7DS6	Date: 3/12/96	Date: 5-28	Revision:	Date: 4/16

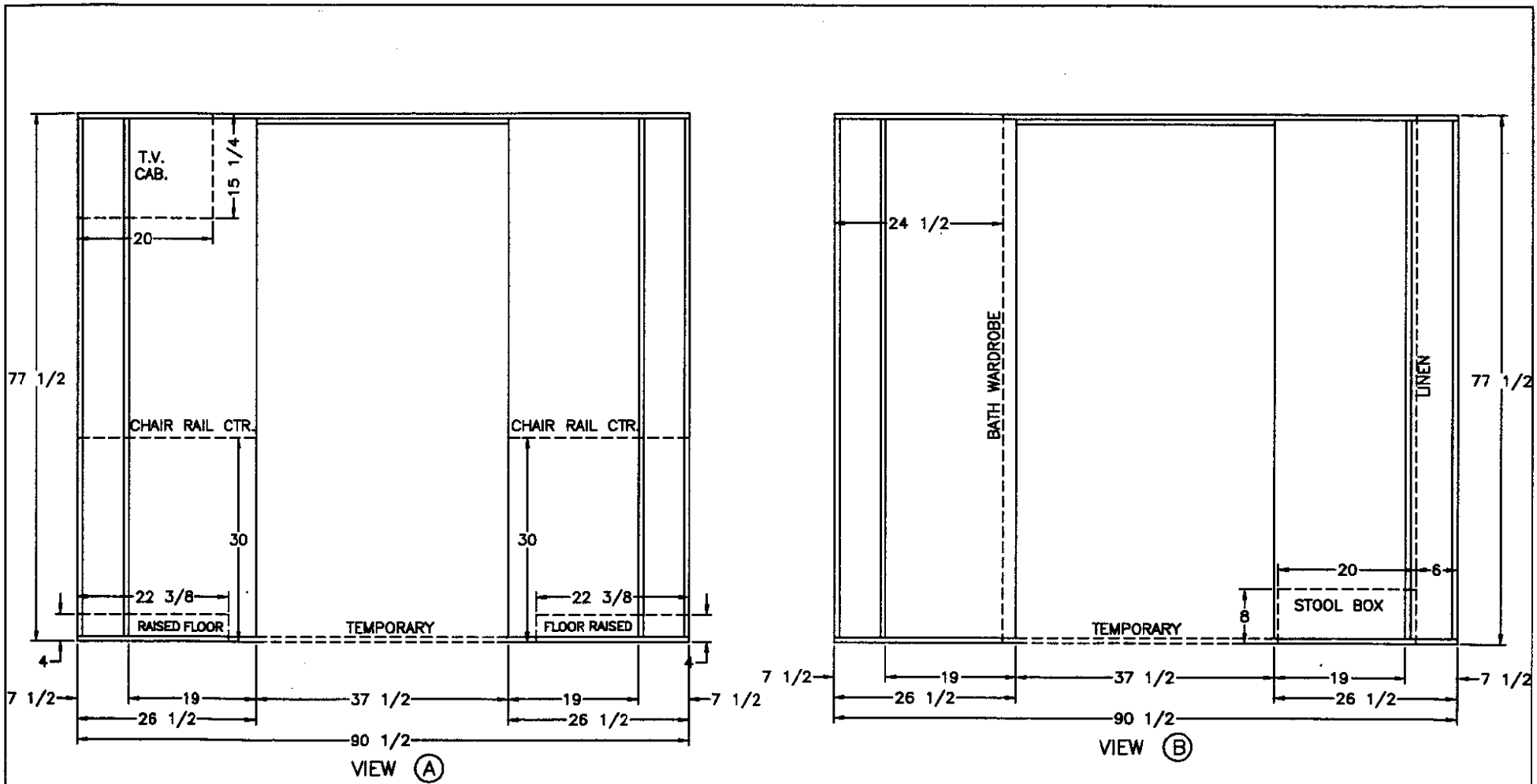


(2) 9 1/2x34 1/2 DOORS  
 (2) 9 1/2x17 1/2 DOORS

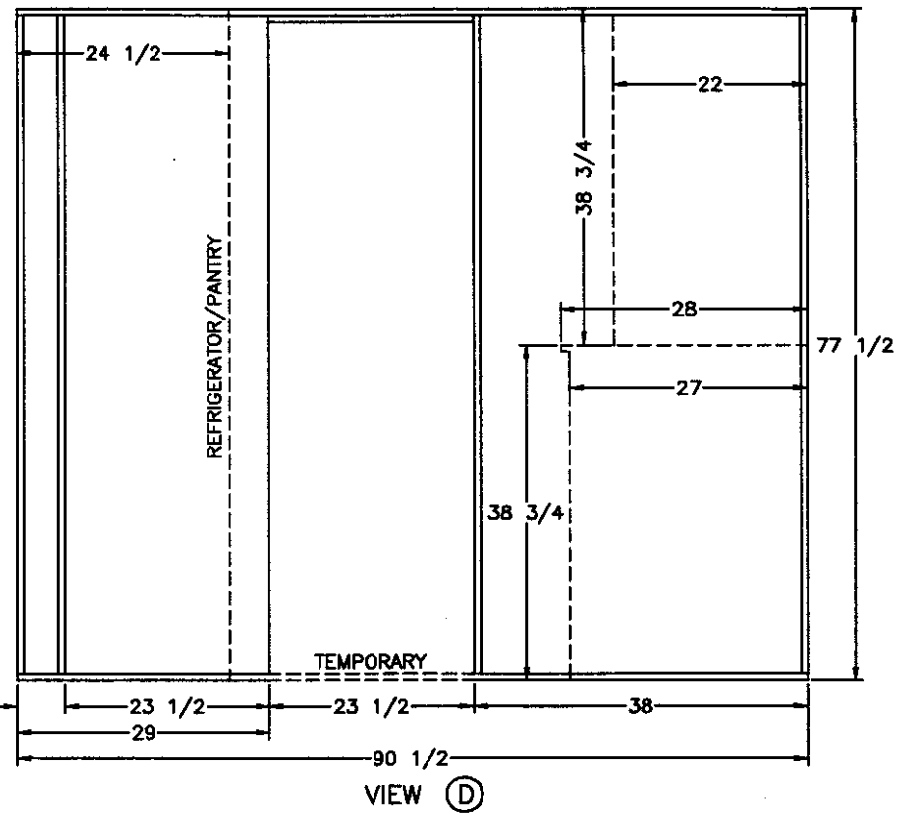
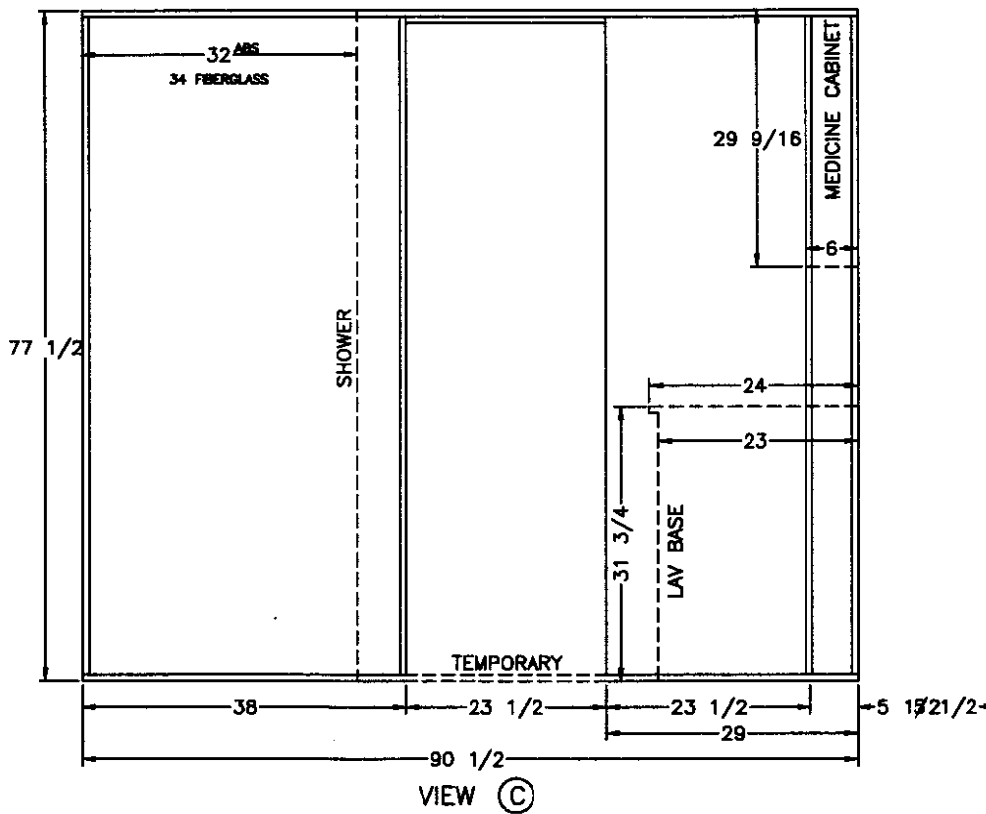
<b>NEWMAR CORP</b> P.O. Box 30, Nappanee, IN. 46550 Title block--1TB	'97 Model: <b>DA 3658</b>	Sheet <b>1 OF 1</b>	Drawn by: <b>BRETT</b>	Checked by: <i>WJW</i>	Revision: (PCR #971299)	By: BRETT
	Title: <b>BATH LINEN</b>	I.D. # C/W/ <b>7DS10</b>	Date: <b>3/12/96</b>	Date: <b>12-14</b>	Revision: OVERALL HEIGHT DUE TO VINYL	Date: 12/16
					Date: 7/26	



<b>NEWMAR CORP</b> P.O. Box 30, Nappanee, IN. 46550 Title block--75TB	'97 Model: DA 3658	Sheet 1 OF 3	Drawn by: BRETT	Checked by: RS	Revision:	By:
	Title: BATH WALLS	I.D. # C/A/ 7DS7	Date: 3/12/96	Date: 5-28	Revision:	Date:



<b>NEWMAR CORP</b> P.O. Box 30, Napanee, IN. 46550 Title block--75TB	'97 Model: DA 3658	Sheet 2 OF 3	Drawn by: BRETT	Checked by: <i>[Signature]</i>	Revision: REVISED TO PRESENT CONSTRUCTION	By: BRETT
	Title: BATH WALLS	I.D. # C/A/ 7DS7	Date: 3/12/96	Date: 10-24	Revision:	Date: 10/18
						By:
						Date:



**NEWMAR CORP**  
P.O. Box 30,  
Naponee, IN. 48560

'97 Model:  
DA 3658

Title:  
BATH WALLS

Sheet  
3 OF 3  
I.D. # C/A/  
7DS7

Drawn by:  
BRETT  
Date:  
3/12/96

Checked by:  
*[Signature]*  
Date:  
10-24

Revision: UPPER W/D @ SECTION 'D'

Revision: REVISED TO PRESENT CONSTRUCTION

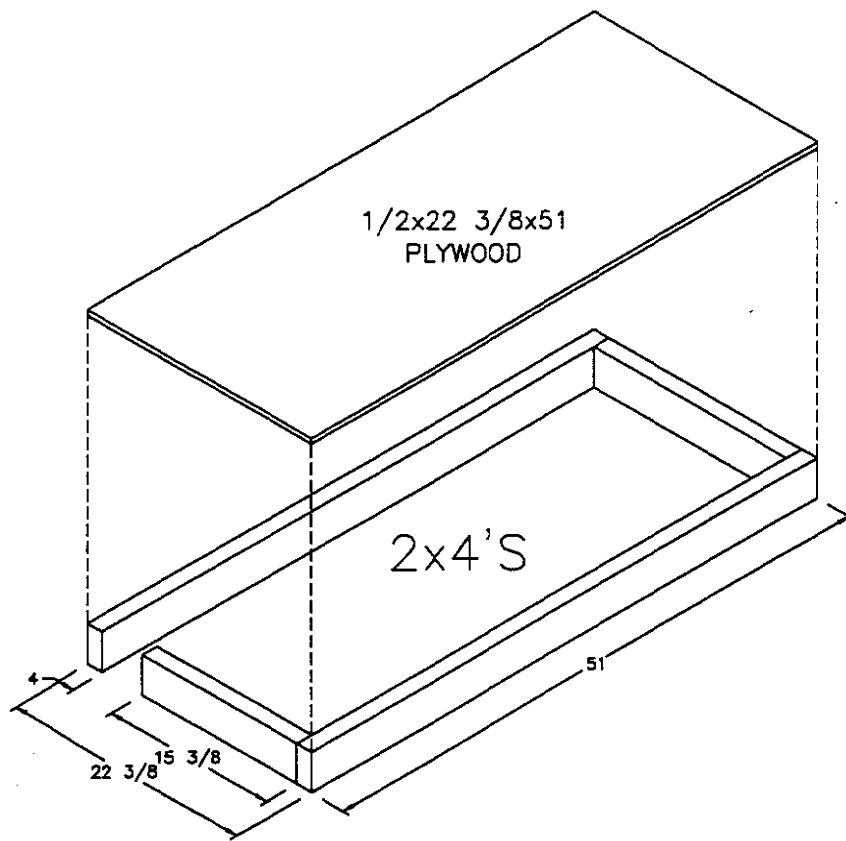
By: BRETT

Date: 3/29

By: BRETT

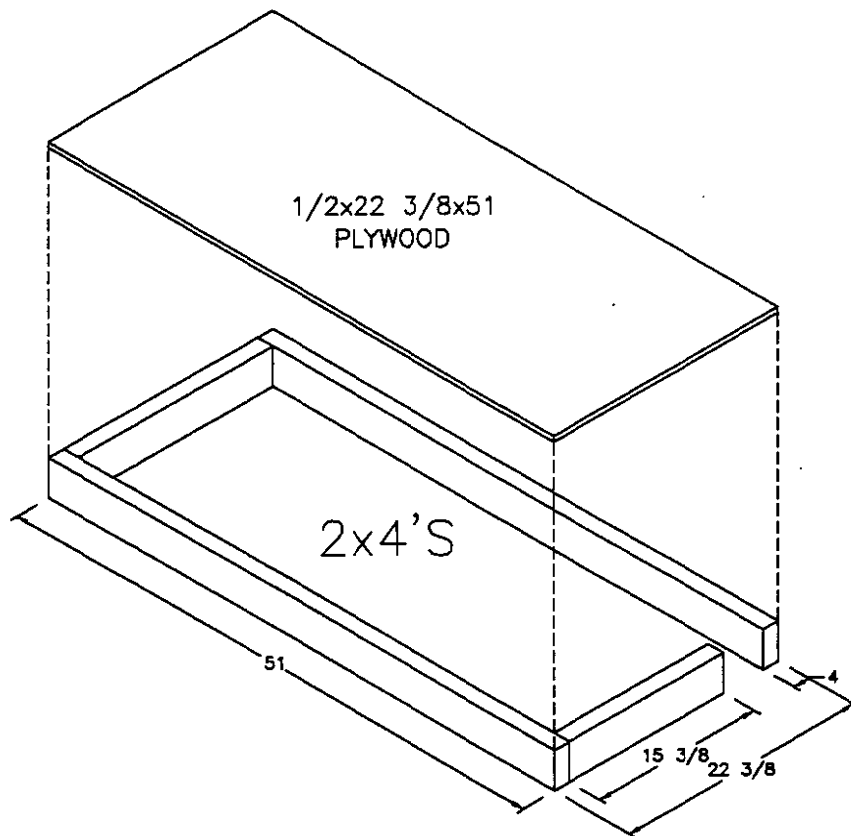
Date: 0/18

Title block--75TB

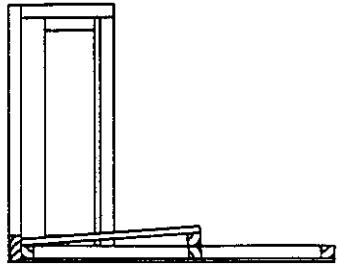


<b>NEWMAR CORP</b> P.O. Box 30, Nappanee, IN. 46550 Title block—1TB	'97 Model:	Sheet	Drawn by:	Checked by:	Revision:	By:
	DA 3658	1 OF 2	BRETT	RS		
	Title: BEDROOM FLOOR BUILD-UP (DS)	I.D. # C/E/	Date:	Date:	Revision:	By:
		7DS6	3/12/96	5-28		Date:

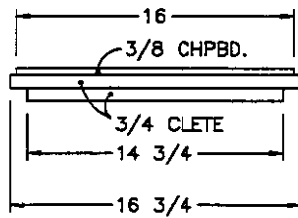




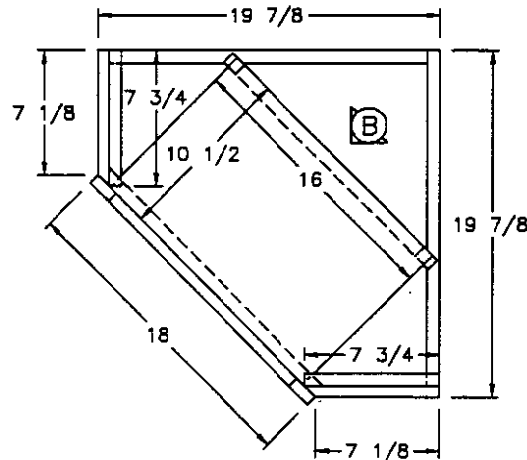
<b>NEWMAR CORP</b> P.O. Box 30, Napanee, IN. 46550 Title block--1TB	'97 Model:	Sheet	Drawn by:	Checked by:	Revision:	By:
	DA 3658	2 OF 2	BRETT	RS		Date:
	Title: BEDROOM FLOOR BUILD-UP (ODS)	I.D. # C/B/ 7DS6	Date: 3/12/96	Date: 5-28	Revision:	By:
						Date:



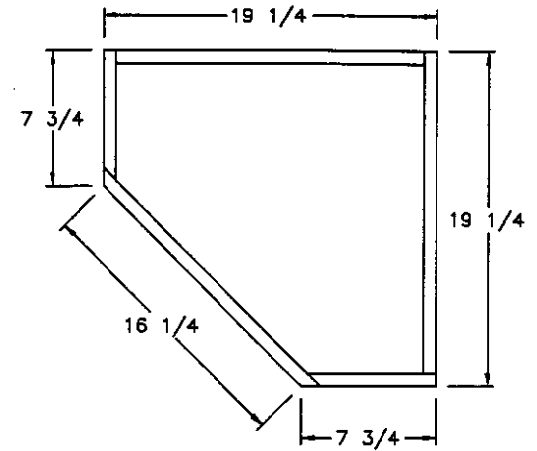
SIDE SECTION (A)



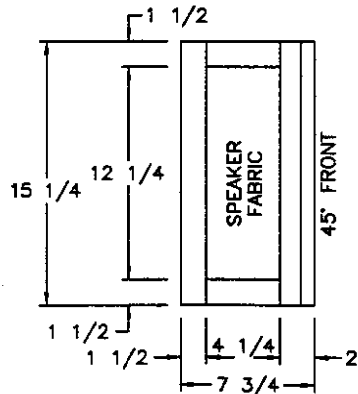
(B) VIEW  
(SEE TOP VIEW)



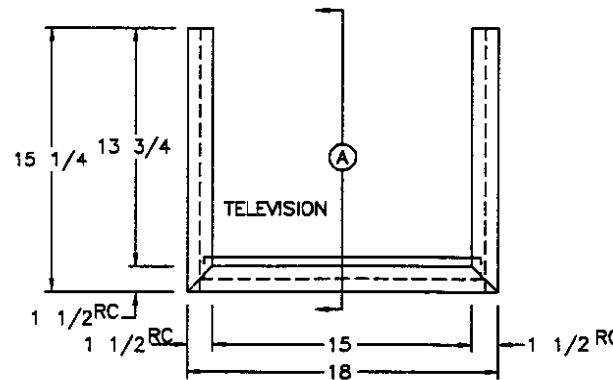
TOP VIEW



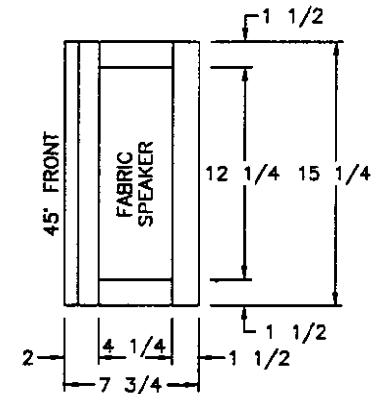
BOTTOM PANEL



LFT END VIEW



FRONT VIEW

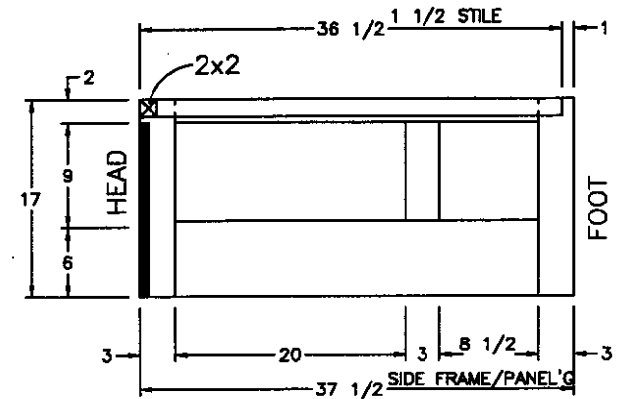
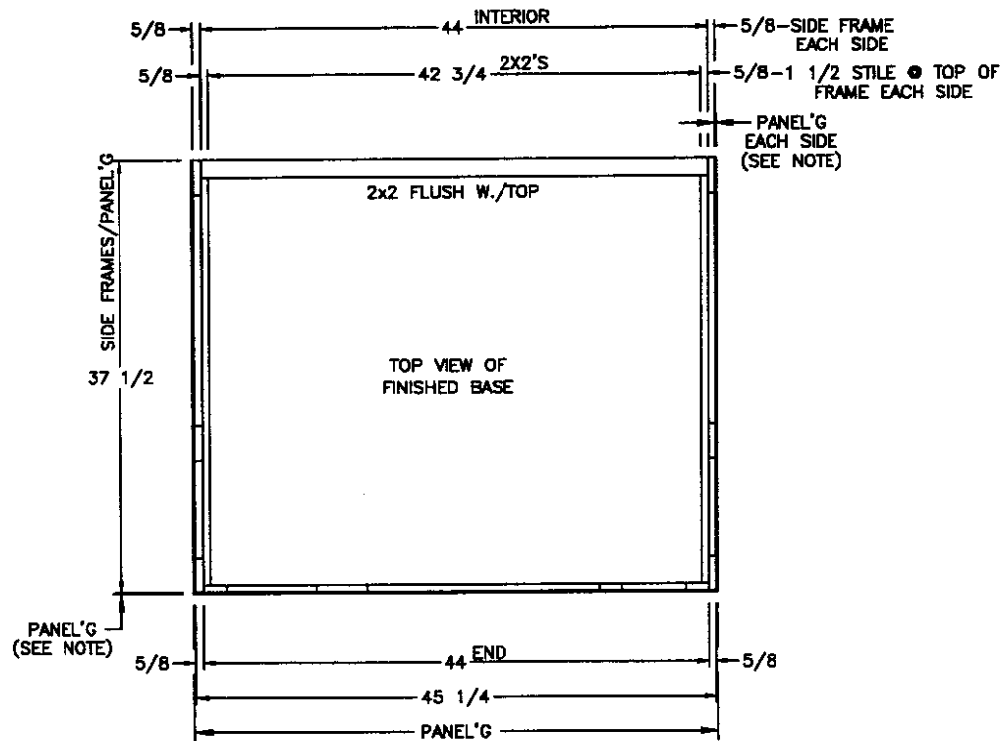


RT END VIEW

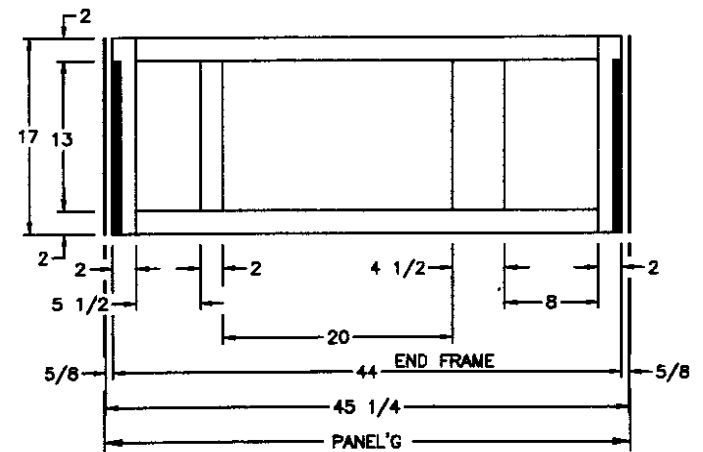
DA 3455  
DA 3658  
DP 3757

<b>NEWMAR CORP</b> P.O. Box 30, Nappanee, IN. 46550 Title block--1-5TB	'97 Model:	Sheet	Drawn by:	Checked by:	Revision: INCREASED OPEN'G HEIGHT 1/2"	By: BRETT
	SEE UNITS ABOVE	1 OF 1	BRETT			Date: 3/19
	Title:	I.D. # C/B/	Date:	Date: <i>RS</i>	Revision:	By:
	ANGLED T.V. OHC	7DS1	2/22/96			Date:

5-28



SIDE (INTERIOR VIEW)  
(2) SIDES REQ'D (LEFT/RIGHT)

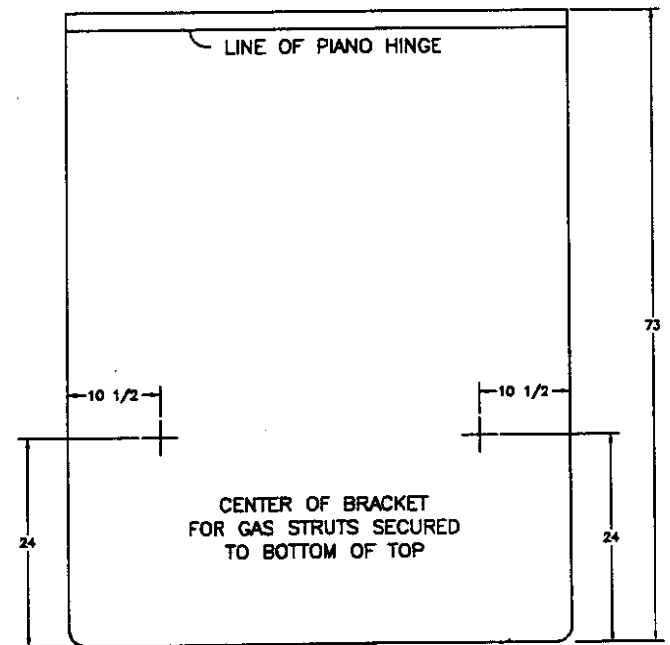
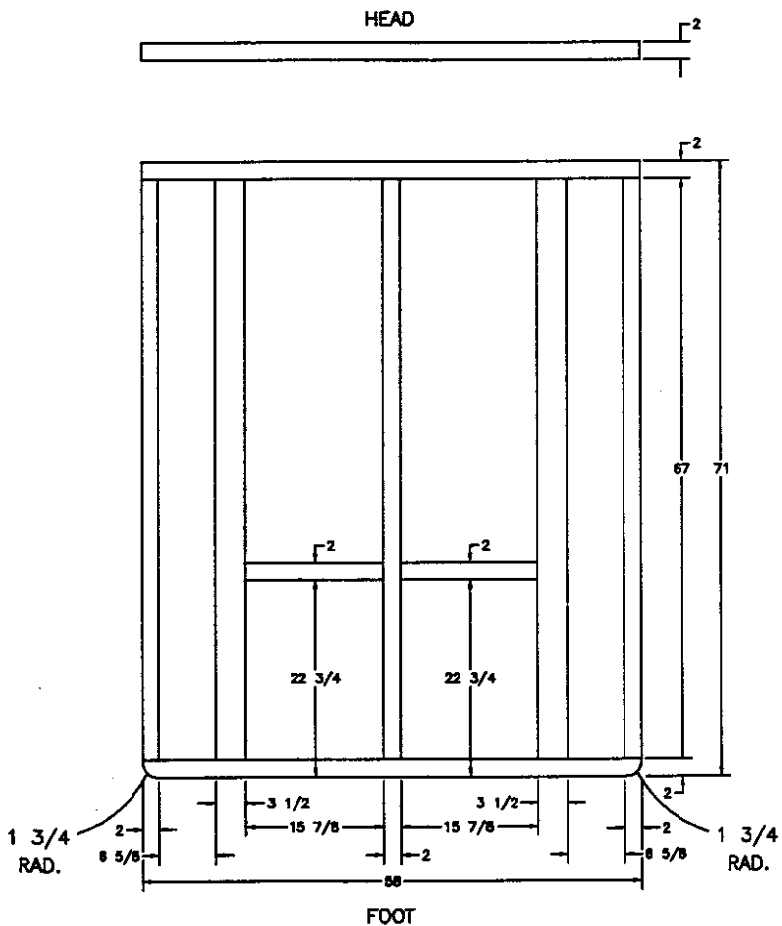


END (INTERIOR VIEW)

NOTES  
FINISHED STILES ARE @ INTERIOR  
WRAPPED STILE UNITS TAKE DBL SIDED PNL'G  
SOLIDS DENOTE 3/4 CLETES

DA 3658  
DA 3682

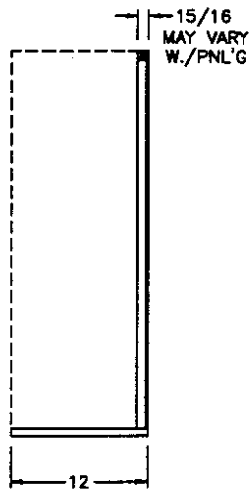
<b>NEWMAR CORP</b> P.O. Box 30, Nappanee, IN. 46550 Title block--1TB	'97 Model:	Sheet	Drawn by:	Checked by:	Revision:	By:
	SEE UNITS ABOVE	1 OF 1	BRETT	<i>B</i>		Date:
Title:	I.D. # CABM/B/	Date:	Date:	Revision:	By:	Date:
74" BED BASE	7DS11	6/13/96	6-13			



3/4 STOCK  
 PANEL BOTH SIDES  
 NOTE: KA & LA GET CARPETED PANEL'G ON TOP SIDE  
 T-MOLDING @ SIDES & FOOT

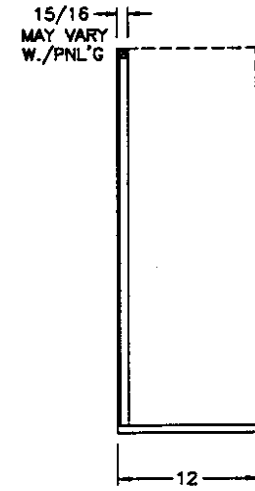
DA 3455  
 DA 3658

NEWMAR CORP P.O. Box 30, Napponee, IN. 46550	'97 Model: SEE UNITS ABOVE	Sheet 1 OF 1	Drawn by: BRETT	Checked by: PS	Revision:	By:
	Title: 74" BED TOP	I.D. # C/B/ 7DS3	Date: 2/22/96	Date: 5-28	Revision:	Date:
Title block--75TB						By:
						Date:

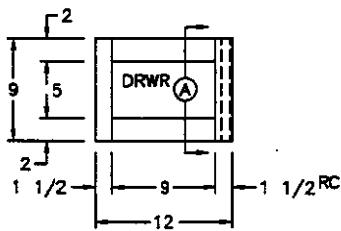


TOP VIEW

(2) 9 1/2 x 5 3/4 FRONTS

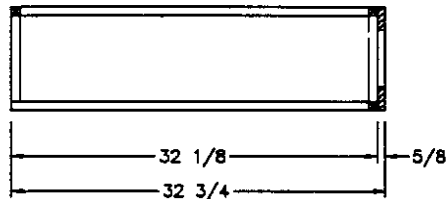


TOP VIEW

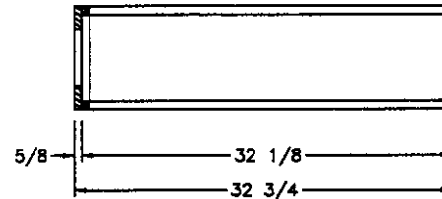


FRONT VIEW

DOOR SIDE

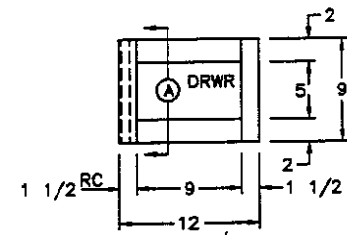


SIDE SECTION (A)



SIDE SECTION (B)

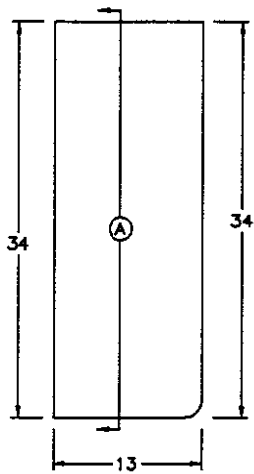
OFFDOOR SIDE



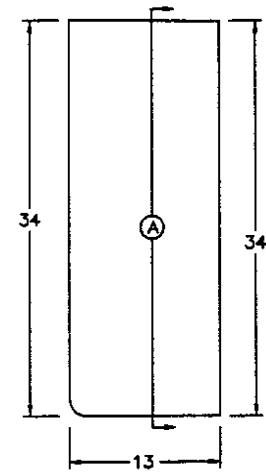
FRONT VIEW

DA 3455  
DA 3658

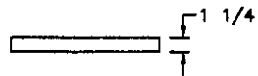
<b>NEWMAR CORP</b> P.O. Box 30, Nappanee, IN. 46550 Title block--1TB	'97 Model:	Sheet	Drawn by:	Checked by:	Revision: DELETED HINGED TOP	By: BRETT
	SEE UNITS ABOVE	1 OF 2	BRETT	RS		Date: 3/21
Title: BEDROOM CHEST BASFS	I.D. # C/B/	Date:	Date:	Revision:		By:
	7DS4	2/27/96	5-28			Date:



TOP VIEW



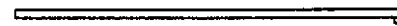
TOP VIEW



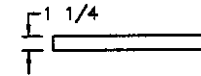
FRONT VIEW



SIDE SECTION (A)



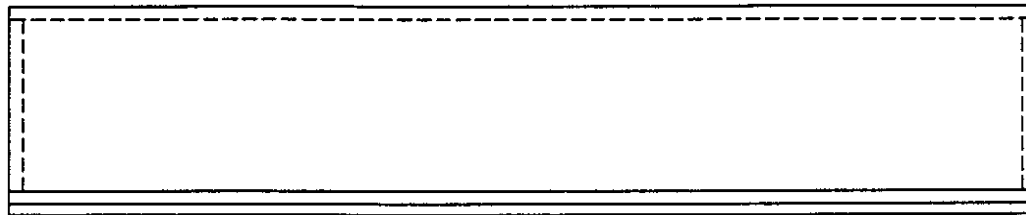
SIDE SECTION (B)



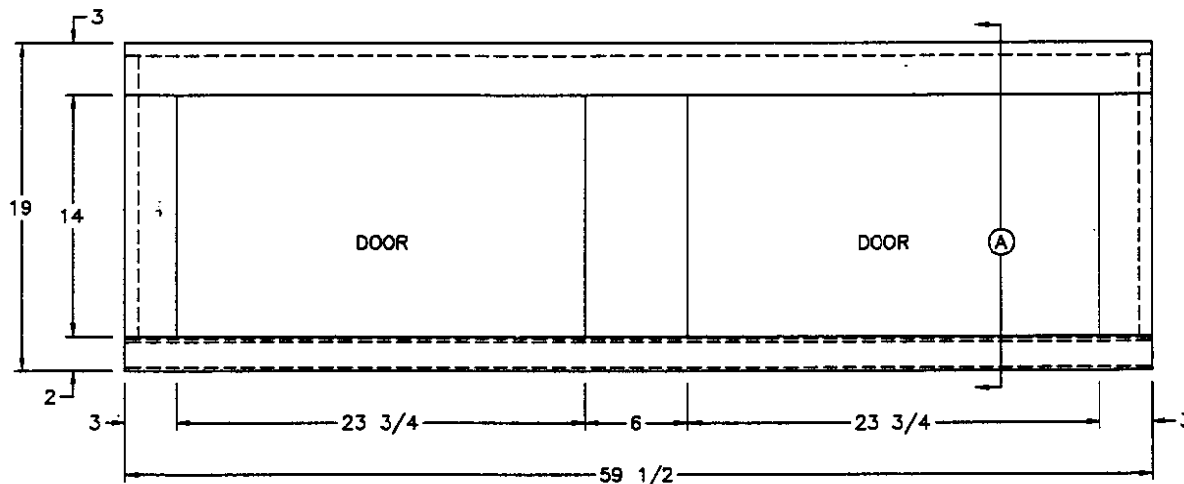
FRONT VIEW

DA 3455  
DA 3658

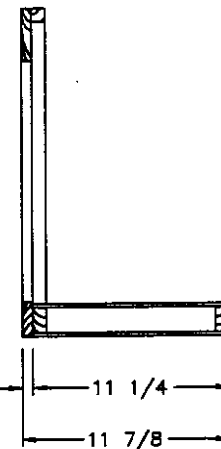
<b>NEWMAR CORP</b> P.O. Box 30, Napanee, IN. 46550 Title block--1TB	'97 Model:	Sheet	Drawn by:	Checked by:	Revision: DELETED HINGED TOP	By: BRETT
	SEE UNITS ABOVE	2 OF 2	BRETT	RS		Date: 3/21
	Title: BEDROOM CHEST TOPS	I.D. # C/B/	Date:	Date:	Revision:	By:
		7DS4	2/27/96	5-28		Date:



TOP VIEW



FRONT VIEW



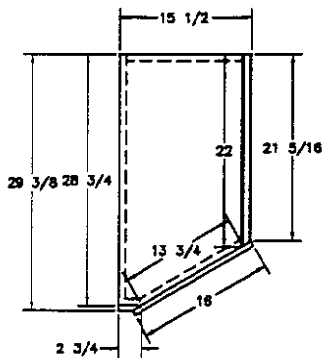
SIDE SECTION (A)

(2) 24 1/2x14 1/2 GLASS DOORS

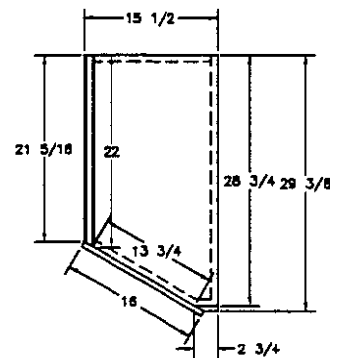
DA 3455  
DA 3658

<b>NEWMAR CORP</b> P.O. Box 30, Nappanee, IN. 46560 Title block--1-5TB	'97 Model: SEE UNITS ABOVE	Sheet 1 OF 1	Drawn by: BRETT	Checked by: RS	Revision: DELETED GLASS FROM DOORS	By: BRETT
	Title: REAR OHC	I.D. # C/B/ 7DS5	Date: 2/22/96	Date: 5-28	Revision: ADDED GLASS DOOR BACK INTO DOORS	Date: 3/8
						Date: 3/19

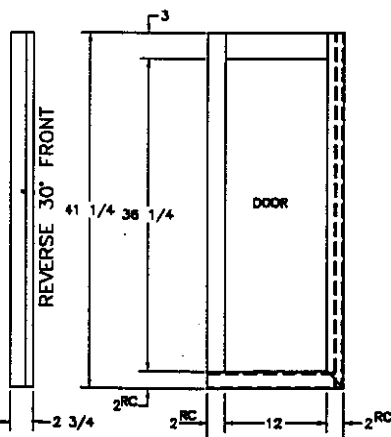
(2) 12 1/2x36 3/4 DOORS



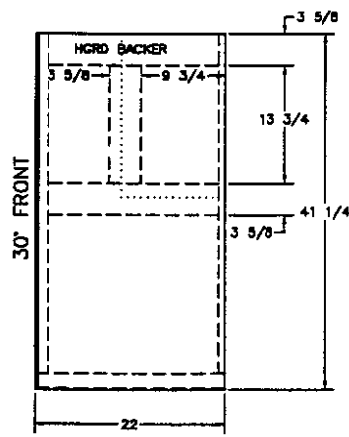
TOP VIEW



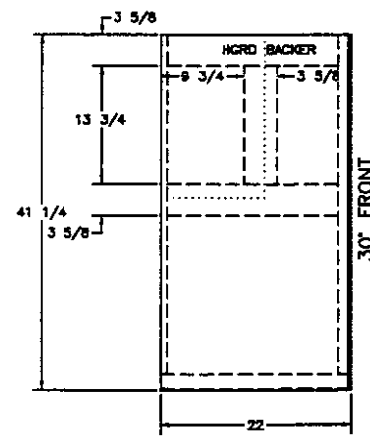
TOP VIEW



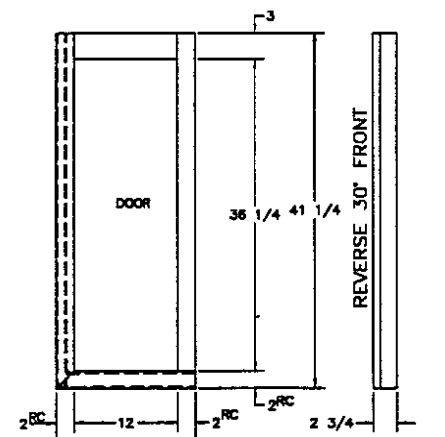
FRONT VIEW



SIDE VIEW



SIDE VIEW



FRONT VIEW

DA 3455  
DA 3658  
DP 3757

RETURN

DOOR SIDE

OFFDOOR SIDE

**NEWMAR CORP**  
P.O. Box 30,  
Napanea, IN. 46660

'97 Model:  
**SEE UNITS ABOVE**  
Title:  
**SHIRT WARDROBES**

Sheet  
**1 OF 1**  
I.D. # C/W/  
**7DS5**

Drawn by:  
**BRETT**  
Date:  
**2/26/96**

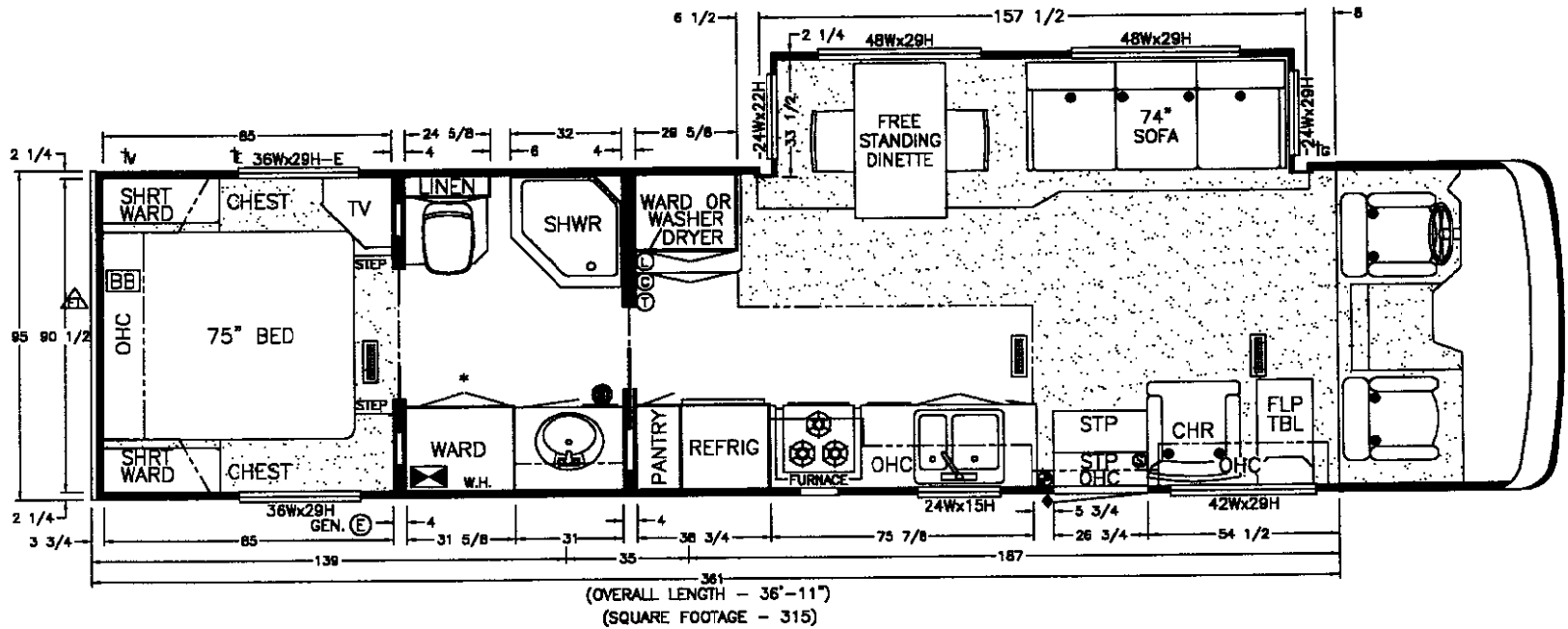
Checked by:  
*RS*  
Date:  
*5-28*

Revision: **REVISED TO ELIMINATE LARGE BOTTOM STILE**  
Revision: **ADDED RETURNS TO PULL TIGHTER TO SDWALL**

By: **BRETT**  
Date: **3/21**  
By: **BRETT**  
Date: **4/15**

Title block--75TB





AWNING SIZE: 18 FT.

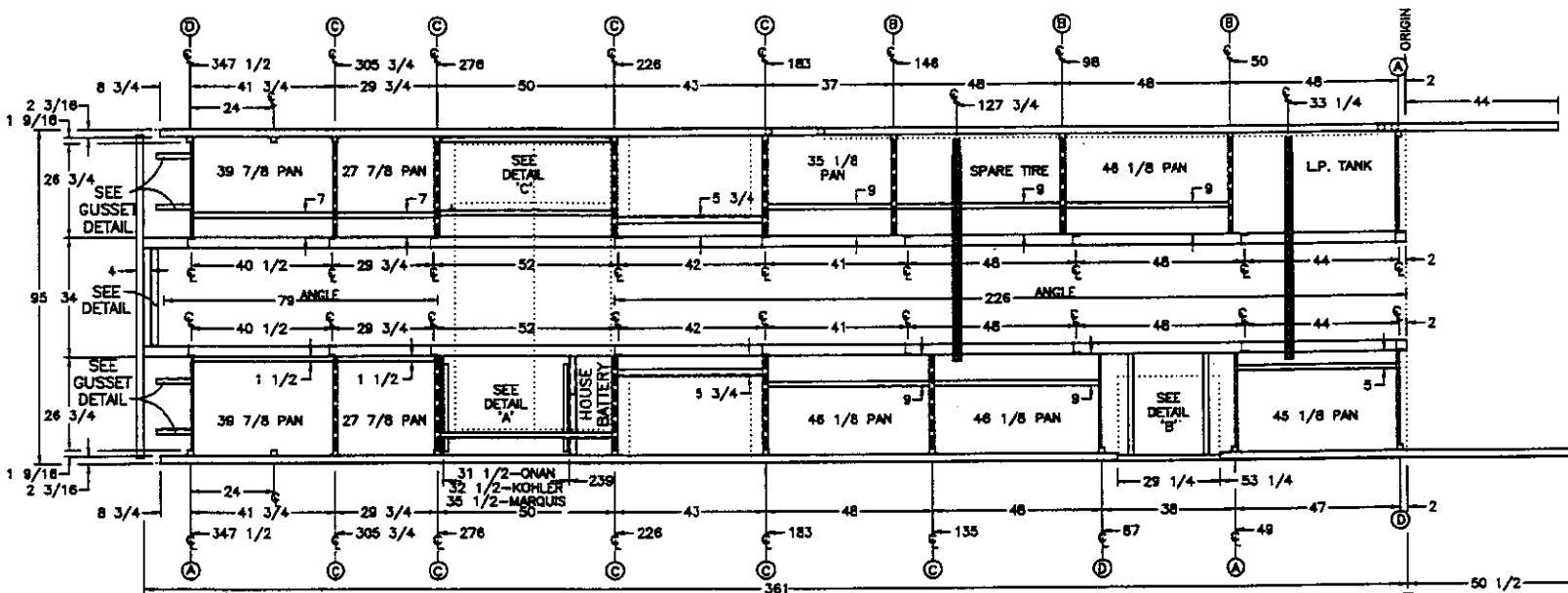
NOTE  
 ALL WALLS, PARTITIONS, & CEILING HAVE  
 CLASS "C" (200 FLAME SPREAD RATING)

ALL INTERIOR PASSAGE DOORS ARE NON-LOCKING

SYMBOLS

- ◻ - WARM AIR REGISTER
- TV - WATER INLET
- ⊕ - GAS INLET
- ⊖ - ELECTRICAL INLET
- E - EGRESS
- ⊙ - C.O. DETECTOR
- ⊘ - EXHAUST
- ⊚ - L.P. GAS DETECTOR
- ↑ - SEWAGE DRAIN
- ⊙ - SMOKE DETECTOR
- ⊙ - FIRE EXTINGUISHER (10 BTU C MIN)
- ◆ - INSIGNIAS (STATE & RVIA)
- ⚠ - FUEL TANK FILL
- ⊞ - MIRROR DOOR(S)
- - TYPE 1 SEATBELT

<b>NEWMAR CORP</b> P.O. Box 30, Neppanee, IN. 46550 Title block--3125TB	'97 Model: <b>DA 3658</b>	Sheet <b>1 OF 3</b>	Drawn by: <b>BRETT</b>	Checked by: 	Revision: <b>FIRE EXTINGUISHER &amp; L.P. DETECTOR</b>	By: <b>BRETT</b>
	Title: <b>FREIGHTLINER FLOOR PLAN</b>	I.D. # <b>P/DA/ 73658K</b>	Date: <b>5/18/96</b>	Date: <b>7-19</b>	Revision: <b>SLIDEOUT DEPTH DIM./"OVERALL LENGTH"</b>	By: <b>BRETT</b>

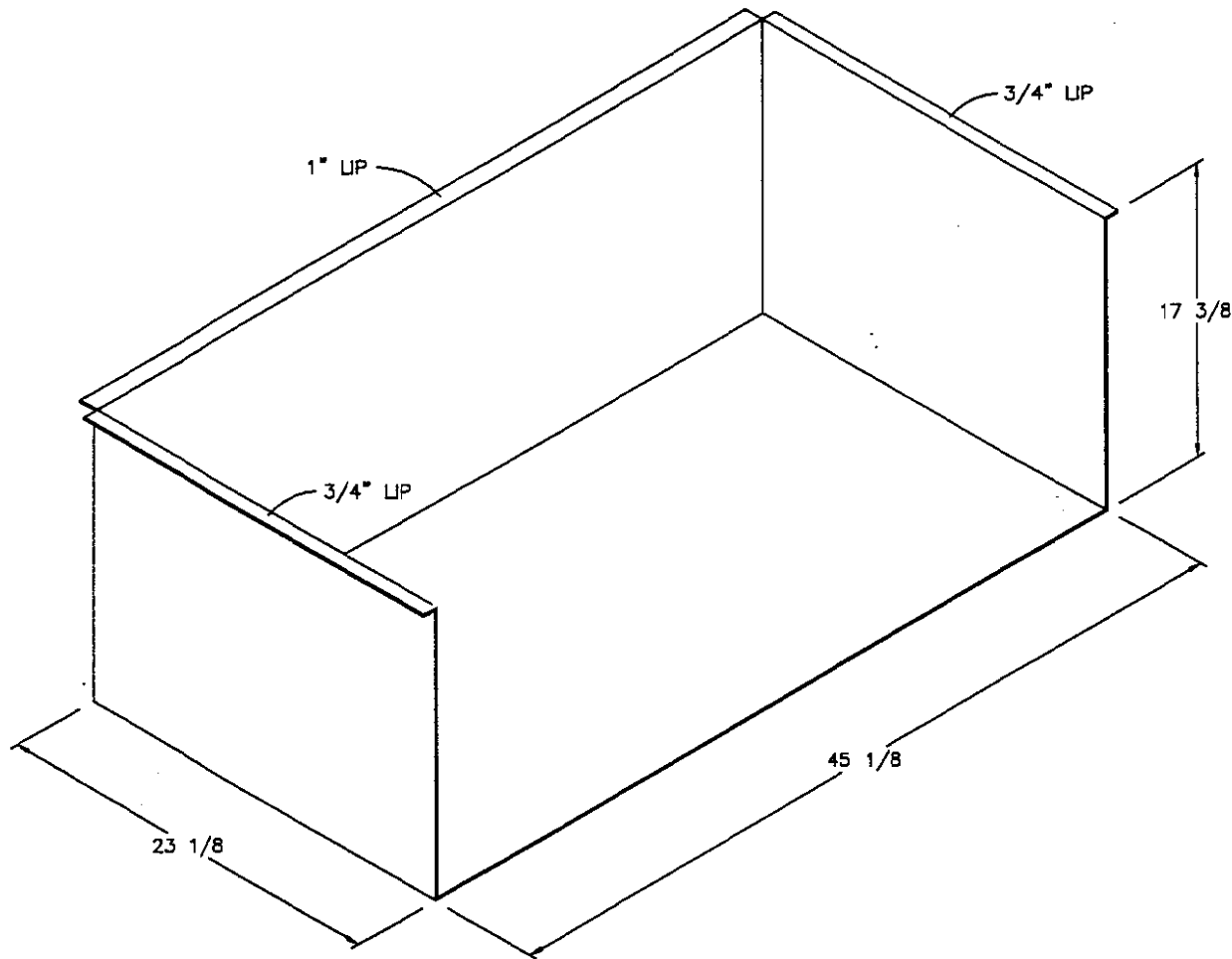


**FORD**  
**FORD**  
 TORQUE REQUIREMENTS FOR FORD FUEL SYSTEMS  
 FUEL TANK: 65-67 FT. LBS.  
 SENDING UNIT: 85-115 IN. LBS.  
 FUEL LINE CLAMPS: 25-35 IN. LBS.

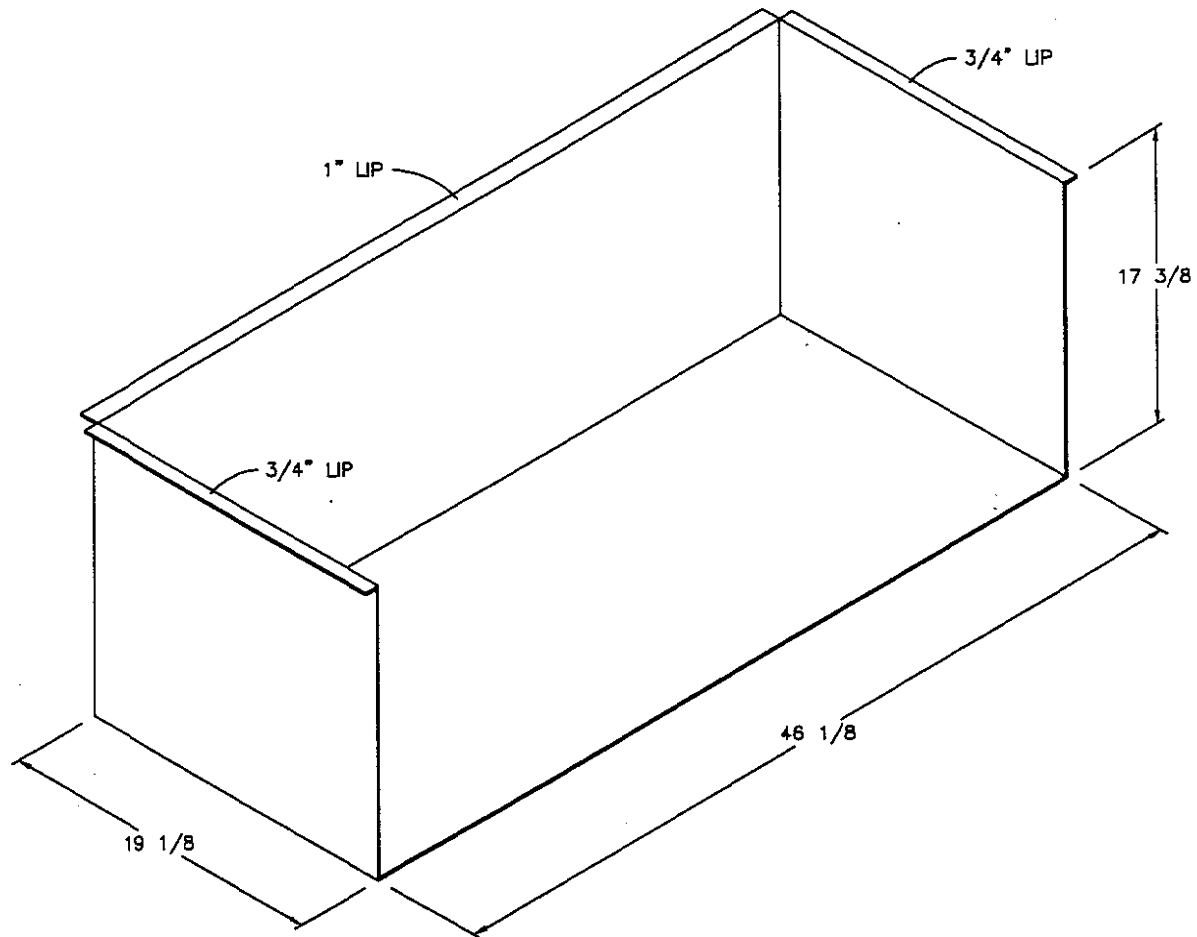
NOTE:  
 ALL DIMENSIONS ARE FROM 'ORIGIN'  
 ○ DENOTES OVERTIGER DETAILS  
 226 WHEEL BASE

**FORD** DENOTES CRITICAL

<b>NEWMAR CORP</b> P.O. Box 50, Nappanee, IN. 46550 Title block--3125TB	'97 Model: DA 3658	Sheet 1 OF 1	Drawn by: BRETT	Checked by: PS	Revision:	By:
	Title: FREIGHTLINER FRAME LAY-OUT	I.D. # FM/DA/ 73658K	Date: 5/18/96	Date: 5-28	Revision:	Date:



<b>NEWMAR CORP</b> P.O. Box 30, Nappanee, IN. 46560	'97 Model:	Sheet	Drawn by:	Checked by:	Revision:	By:
	DA 3658	1 OF 1	BRETT	RS		Date:
Title block--1-5TB	Title: FREIGHTLINER	I.D. # FM/DA/	Date:	Date:	Revision:	By:
	45 1/8 STRG BOX (1-REQ'D)	745DBK	5/18/96	5-28		Date:



**NEWMAR CORP**  
P.O. Box 30,  
Nappanee, IN. 46550

'97 Model:  
DA 3658

Title: FREIGHTLINER  
46 1/8 STRG BOX (3-REQ'D)

Sheet  
1 OF 1  
I.D. # FM/DA  
746BK

Drawn by:  
BRETT  
Date:  
5/18/96

Checked by:  
PS  
Date:  
5-28

Revision:

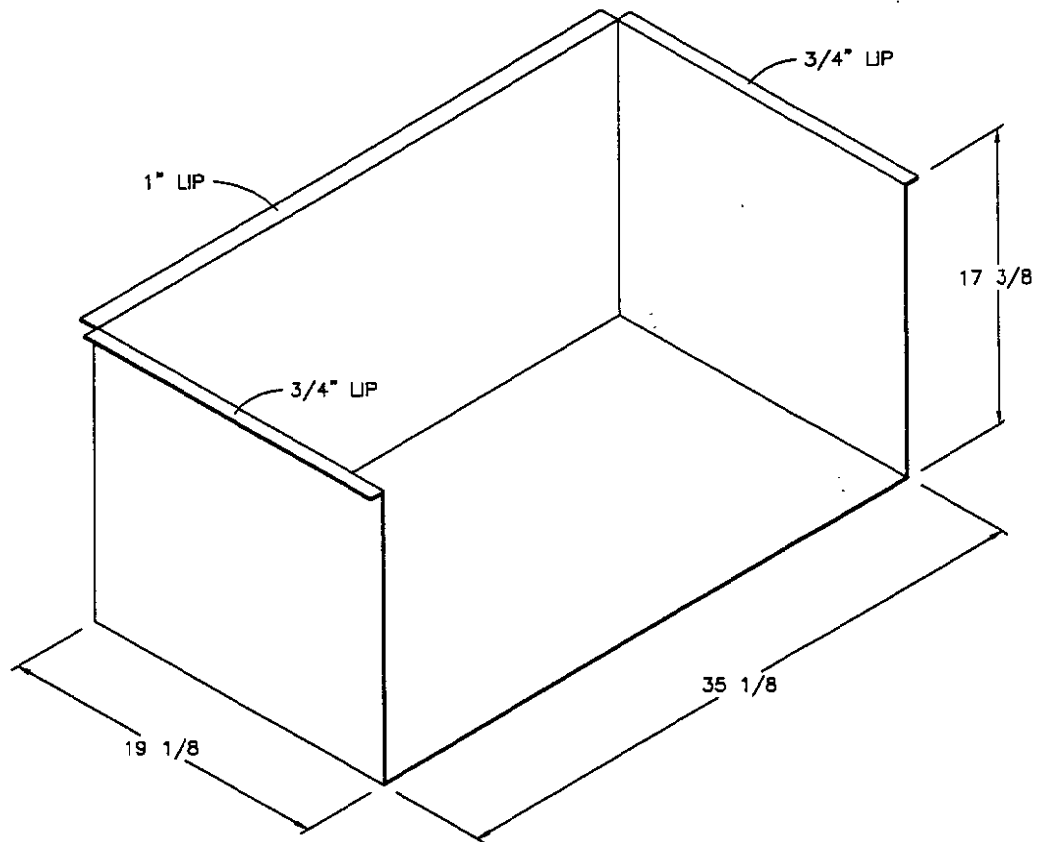
Revision:

By:

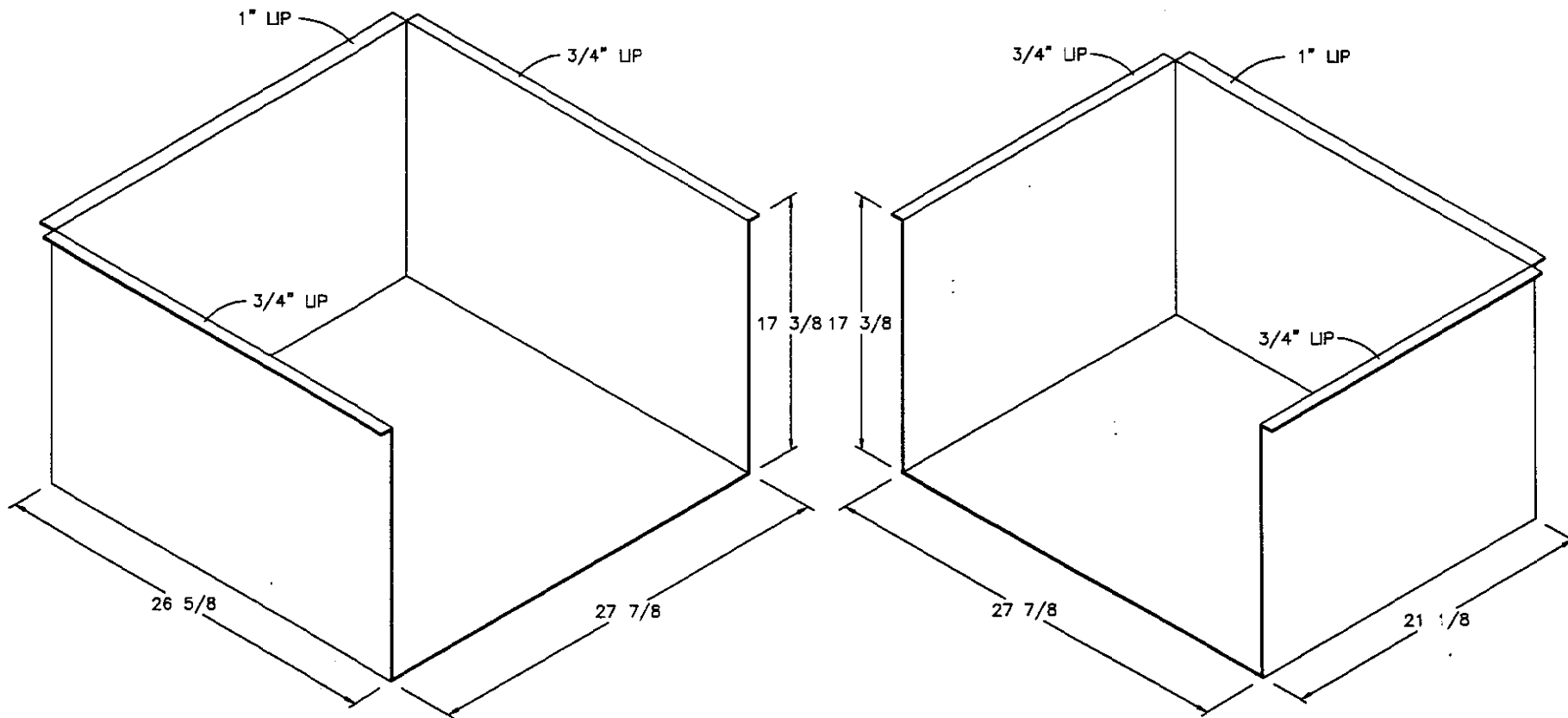
Date:

By:

Date:



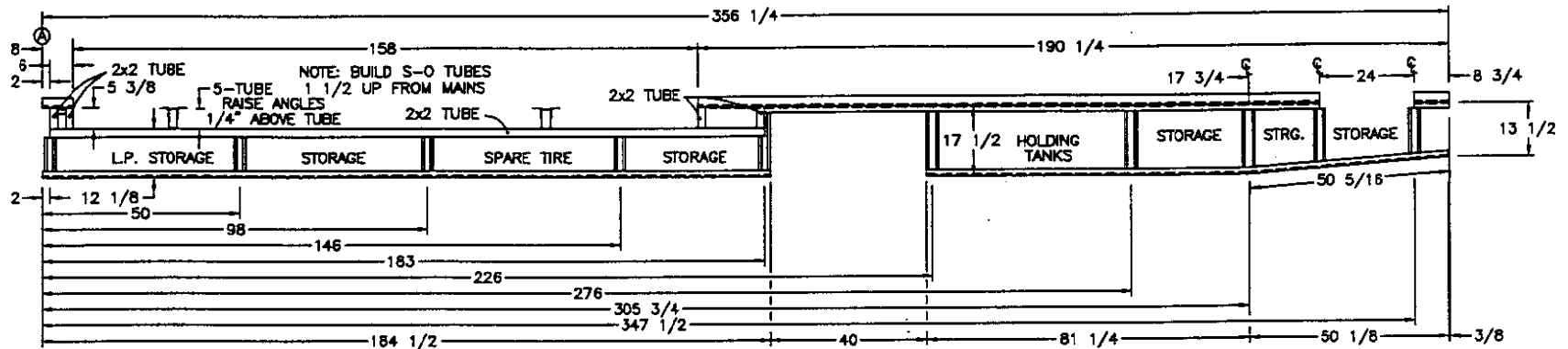
<b>NEWMAR CORP</b> P.O. Box 30, Nappanee, IN. 46550 Title block--1-5TB	'97 Model: DA 3658	Sheet 1 OF 1	Drawn by: BRETT	Checked by: RS	Revision:	By:
	Title: FREIGHTLINER 35 1/8 STRG BOX (1-REQ'D)	I.D. # FM/DA/ 735BK	Date: 5/18/96	Date: 5-28	Revision:	Date:



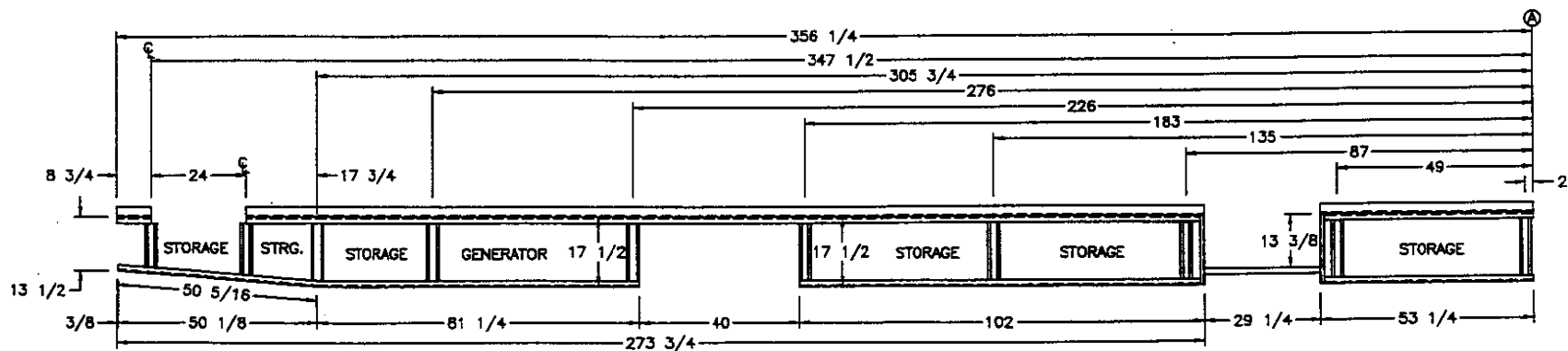
DOOR SIDE

OFFDOOR SIDE

<b>NEWMAR CORP</b> P.O. Box 30, Nappanee, IN. 46550 Title block---1-5TB	'97 Model: DA 3658	Sheet 1 OF 1	Drawn by: BRETT	Checked by: PS	Revision:	By:
	Title: FREIGHTLINER STRG BOXES BEHIND TANKS	I.D. # FM/DA/ 727BK	Date: 5/18/96	Date: 5-28	Revision:	Date:



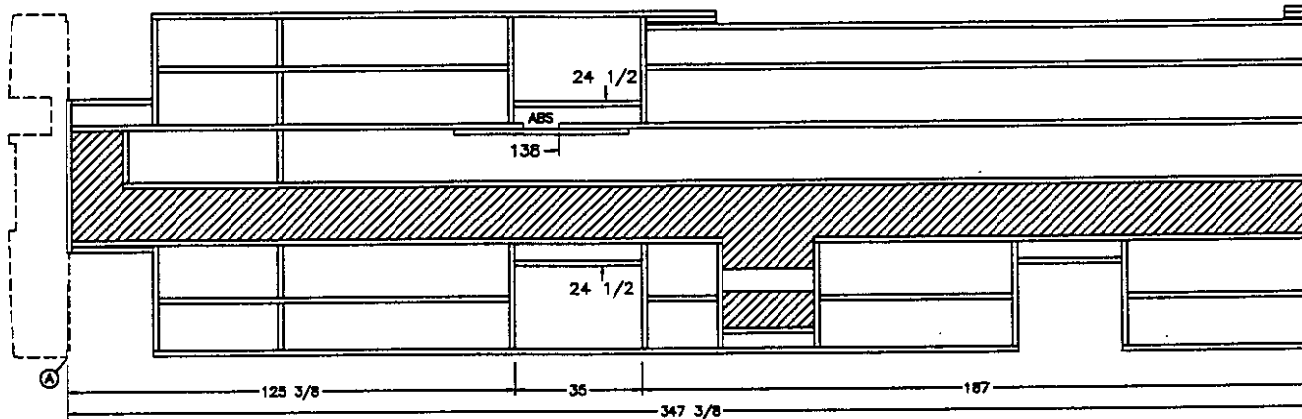
OFFDOOR SIDE



DOOR SIDE

NOTES  
 VERTICAL RAILS UNDER "Z" ARE HAT SECTIONS & TUBS  
 ALL VERTICAL TUBES UNDER "Z" ARE 2x2  
 BOTTOM RAIL 1 1/2x1 1/2 ANGLE

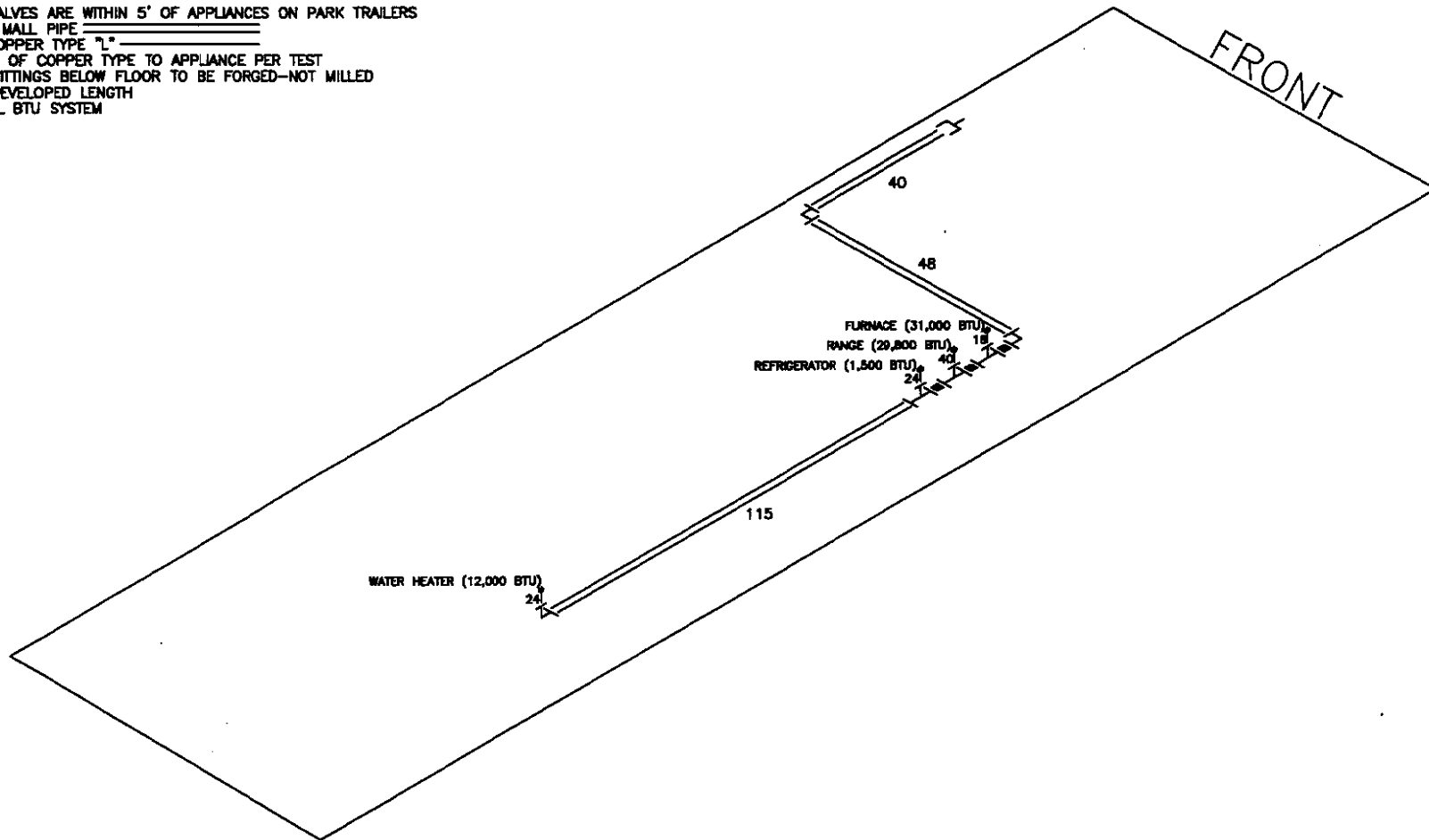
<b>NEWMAR CORP</b> P.O. Box 30, Napanee, IN. 46560 Title block--375TB	'97 Model: <b>DA 3658</b>	Sheet <b>1 OF 1</b>	Drawn by: <b>BRETT</b>	Checked by: <i>RS</i>	Revision:	By:
	Title: <b>FREIGHTLINER          FRAME SKIRTS</b>	I.D. # <b>FM/DA/          7SKT1K</b>	Date: <b>5/18/96</b>	Date: <b>5-28</b>	Revision:	By:



<b>NEWMAR CORP</b> P.O. Box 30, Nappanee, IN. 46550 Title block--3125TB	'97 Model: DA 3658	Sheet	Drawn by: BRETT	Checked by: RS	Revision:	By:
	Title: FREIGHTLINER STRINGER LAY-OUT	I.D. # P/DA/ 73658K	Date: 5/18/96	Date: 5-28	Revision:	Date:
						By:
						Date:

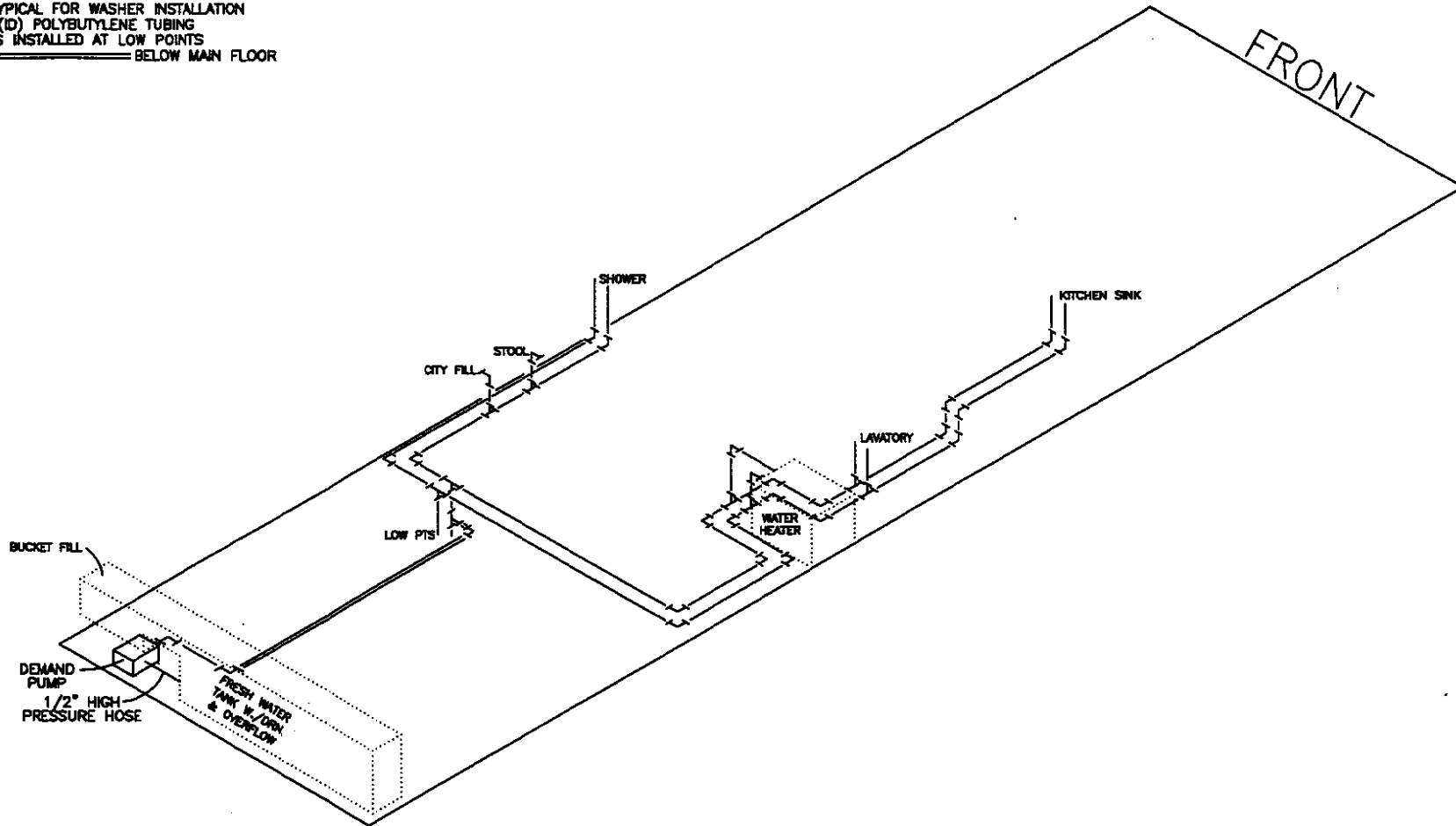


NOTES:  
 SHUT-OFF VALVES ARE WITHIN 5' OF APPLIANCES ON PARK TRAILERS  
 1/2" BLACK MALL PIPE  
 3/8" O.D. COPPER TYPE "L"  
 MAX. LENGTH OF COPPER TYPE TO APPLIANCE PER TEST  
 ALL BRASS FITTINGS BELOW FLOOR TO BE FORGED-NOT MILLED  
 307 TOTAL DEVELOPED LENGTH  
 74,300 TOTAL BTU SYSTEM



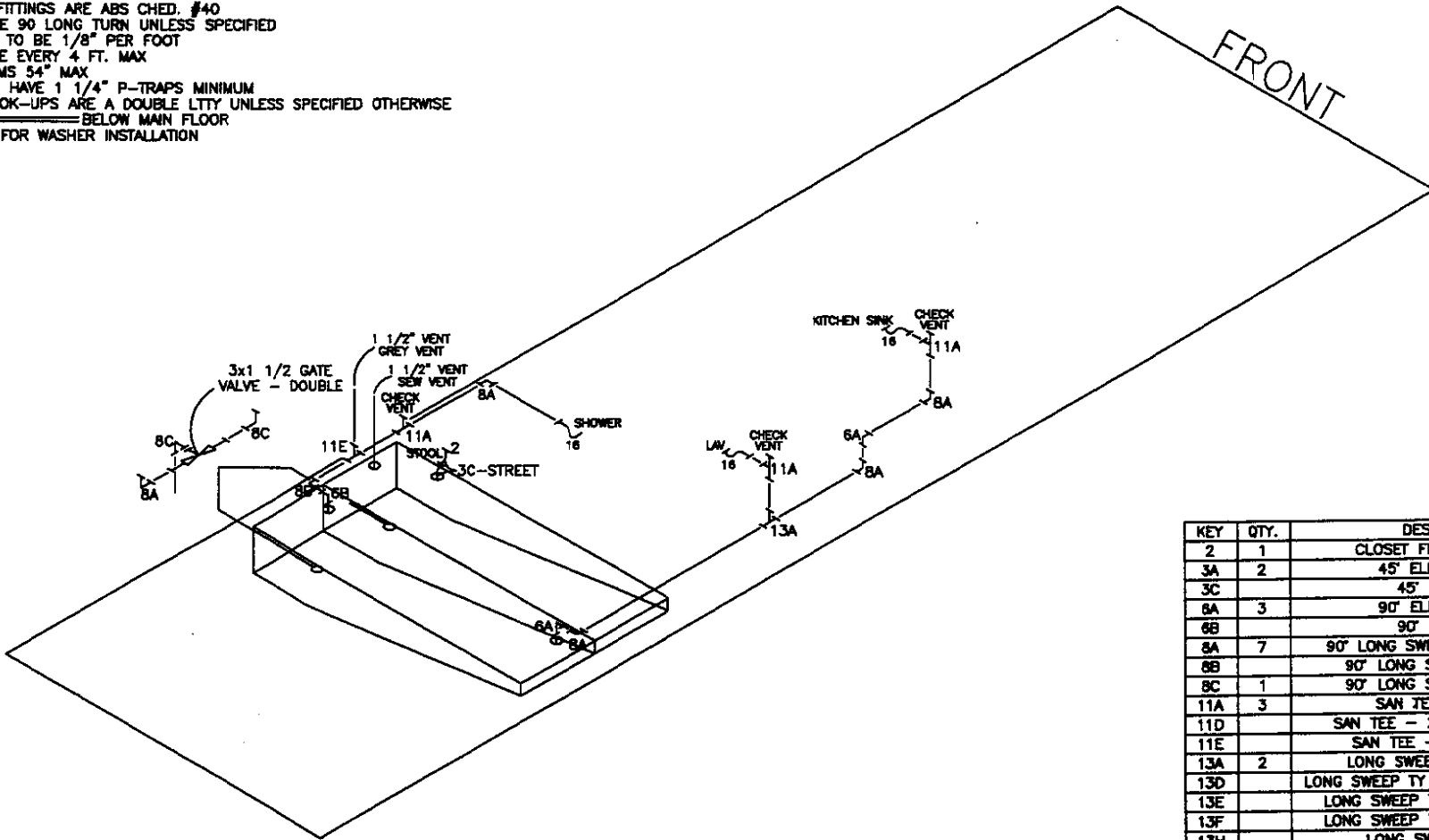
<b>NEWMAR CORP</b> P.O. Box 30, Nappanee, IN. 46650 Title block--375TB	'97 Model: DA 3658	Sheet 1 OF 3	Drawn by: BRETT	Checked by:	Revision: WATER HEATER BTU'S	By: BRETT
	Title: L.P. GAS LINES	I.D. # CO/C/ 7DA3658	Date: 3/12/96	Date:	Revision:	Date: 8/26

NOTES:  
 SEE TYPICAL FOR WASHER INSTALLATION  
 1/2" (ID) POLYBUTYLENE TUBING  
 DRAINS INSTALLED AT LOW POINTS  
 BELOW MAIN FLOOR



<b>NEWMAR CORP</b> P.O. Box 30, Nappanee, IN. 46550 Title block--375TB	'97 Model:	Sheet	Drawn by:	Checked by:	Revision:	By:
	DA 3658	2 OF 3	BRETT			Date:
	Title:	I.D. # CO/C/	Date:	Date:	Revision:	By:
	WATER LINES	7DA3658	3/12/96			Date:

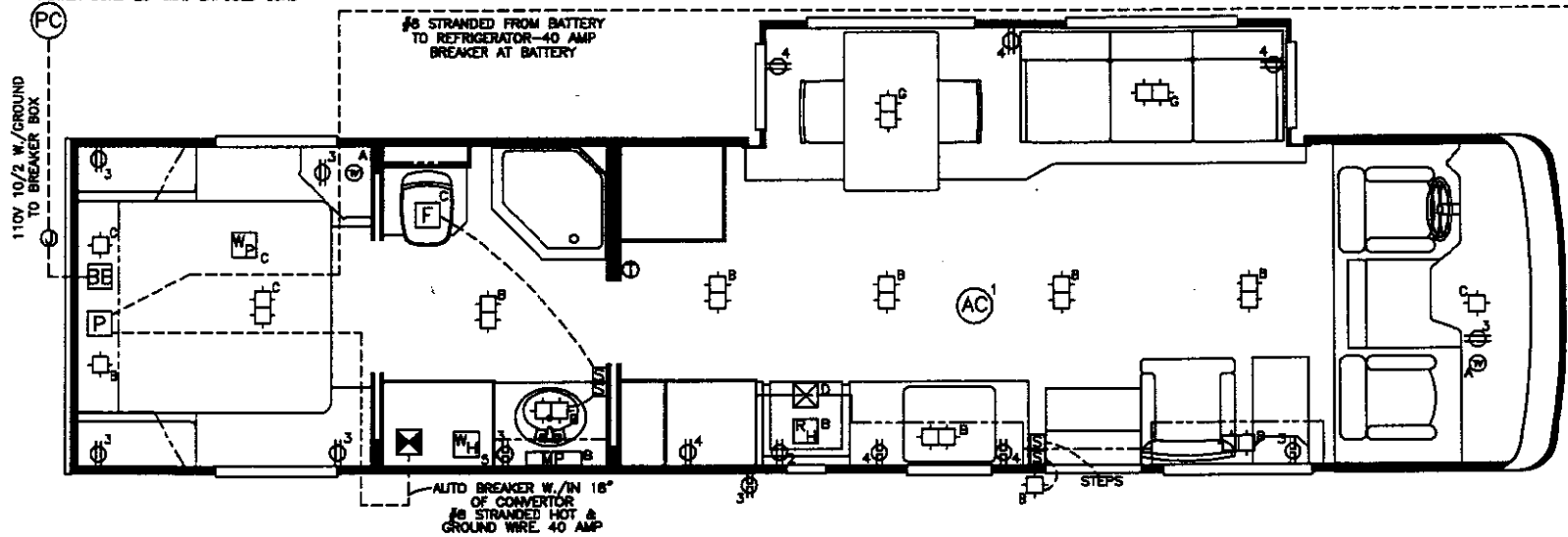
NOTES:  
 ALL PIPE & FITTINGS ARE ABS CHED. #40  
 ALL ELL'S ARE 90 LONG TURN UNLESS SPECIFIED  
 DRAIN GRADE TO BE 1/8" PER FOOT  
 SUPPORT PIPE EVERY 4 FT. MAX  
 ALL TRAP ARMS 54" MAX  
 ALL FIXTURES HAVE 1 1/4" P-TRAPS MINIMUM  
 ALL TANK HOOK-UPS ARE A DOUBLE LTTY UNLESS SPECIFIED OTHERWISE  
 BELOW MAIN FLOOR  
 SEE TYPICAL FOR WASHER INSTALLATION



KEY	QTY.	DESCRIPTION
2	1	CLOSET FLANGE - 4"x3"
3A	2	45° ELL - 1 1/2"
3C		45° ELL - 3"
6A	3	90° ELL - 1 1/2"
6B		90° ELL - 2"
8A	7	90° LONG SWEEP ELL - 1 1/2"
8B		90° LONG SWEEP ELL - 2"
8C	1	90° LONG SWEEP ELL - 3"
11A	3	SAN TEE - 1 1/2"
11D		SAN TEE - 2"x1 1/2"x1 1/2"
11E		SAN TEE - 2"x2"x1 1/2"
13A	2	LONG SWEEP TY - 1 1/2"
13D		LONG SWEEP TY - 2"x1 1/2"x1 1/2"
13E		LONG SWEEP TY - 2"x2"x1 1/2"
13F		LONG SWEEP TY - 2"x1 1/2"x2"
13H		LONG SWEEP TY - 3"
14		DOUBLE LONG SWEEP TY - 3"
15A		TY - 1 1/2"
16	3	P-TRAP W./UNION JOINT

<b>NEWMAR CORP</b> P.O. Box 30, Nappanee, IN. 46550 Title block--375TB	'97 Model: <b>DA 3658</b>	Sheet <b>3 OF 3</b>	Drawn by: <b>BRETT</b>	Checked by:	Revision:	By:
	Title: <b>DRAIN PLUMBING</b>	I.D. # CO/C/ <b>7DA3658</b>	Date: <b>3/12/96</b>	Date:	Revision:	Date:

POWER CORD 28' MIN. EXPOSED CORD



NOTES  
 ALL BREAKERS HACR TYPE  
 ALL AIR COND. MUST ACCEPT HACR BREAKER  
 ALL PRE-WIRE FOR AIR USE 20 AMP FUSE AT BREAKER BOX  
 DISTRIBUTION PANEL EXPOSED TO AISLE SPACE.

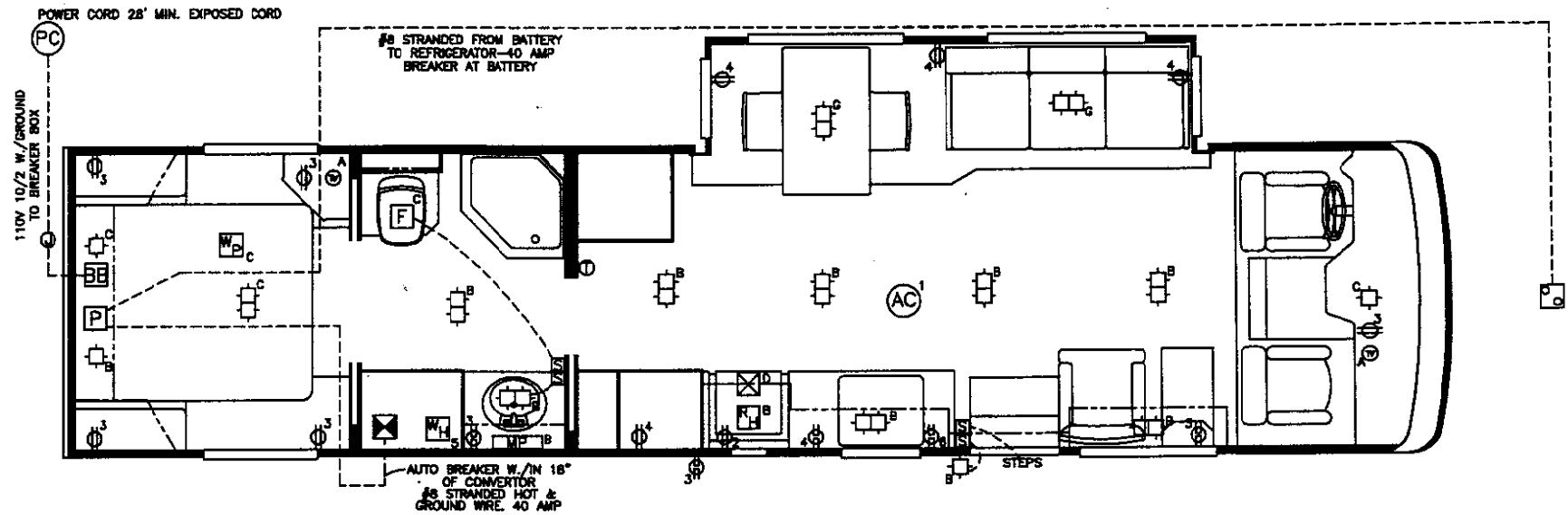
**ELECTRICAL SYMBOLS**

- |                  |                                  |               |                            |
|------------------|----------------------------------|---------------|----------------------------|
| WATER PUMP       | 30 AMP BREAKER BOX 30 AMP OPTION | 12V LIGHT     | 110V SWITCH                |
| WATER HEATER     | CONVERTER W/12V FUSE BLOCK       | 12V SWITCH    | THERMOSTAT                 |
| 12V RANGE HOOD   | 12V DISTRIBUTION PANEL           | 12V RADIO     | T.V. JACK                  |
| 110V CEILING FAN | 12V STORAGE BATTERY              | MONITOR PANEL | 110V RECEPT                |
| FURNACE          | 12V FAN VENT                     | 12V RECEPT    | COMP. GFI BREAKER & RECEPT |
| AIR CONDITIONER  | POWER CORD                       | 110V LIGHT    | 110V JUNCTION BOX          |

WORKING CLEARANCE MIN. 24Wx22D

CIRCUIT	WIRE SIZE	VOLTS	FUSE BREAKER	LOAD
1	12/2	12	20 AMP	AIR CONDITIONER
2	12/2	12	20 AMP	PANTRY & REFRIG.
3	12/2	12	15 AMP HACR	WATER & GAS WATER HEATER
4	12/2	12	20 AMP	TV
5	12/2	12	20 AMP	DOOR SIDE LIGHTS
6	12/2	12	20 AMP	DOOR SIDE LIGHTS
7	12/2	12	20 AMP	REAR / OPEN
8	12/2	12	20 AMP	REAR / OPEN
9	12/2	12	20 AMP	SLIDE-OUT

<b>NEWMAR CORP</b> P.O. Box 30, Nappanee, IN. 46550 Title block--3125TB	'97 Model: DA 3658 Title: STD ELECTRICAL DIAGRAM	Sheet 1 OF 3 I.D. # CO/E/ 7DA3658	Drawn by: BRETT Date: 3/12/96	Checked by:  Date:  	Revision: REFRIGERATOR RECEPT  Revision:  	By: BRETT Date: 1/8 By: Date:
----------------------------------------------------------------------------------	-----------------------------------------------------------	--------------------------------------------	----------------------------------------	----------------------------------	--------------------------------------------------------	----------------------------------------



**ELECTRICAL SYMBOLS**

WORKING CLEARANCE MIN. 24"x220"

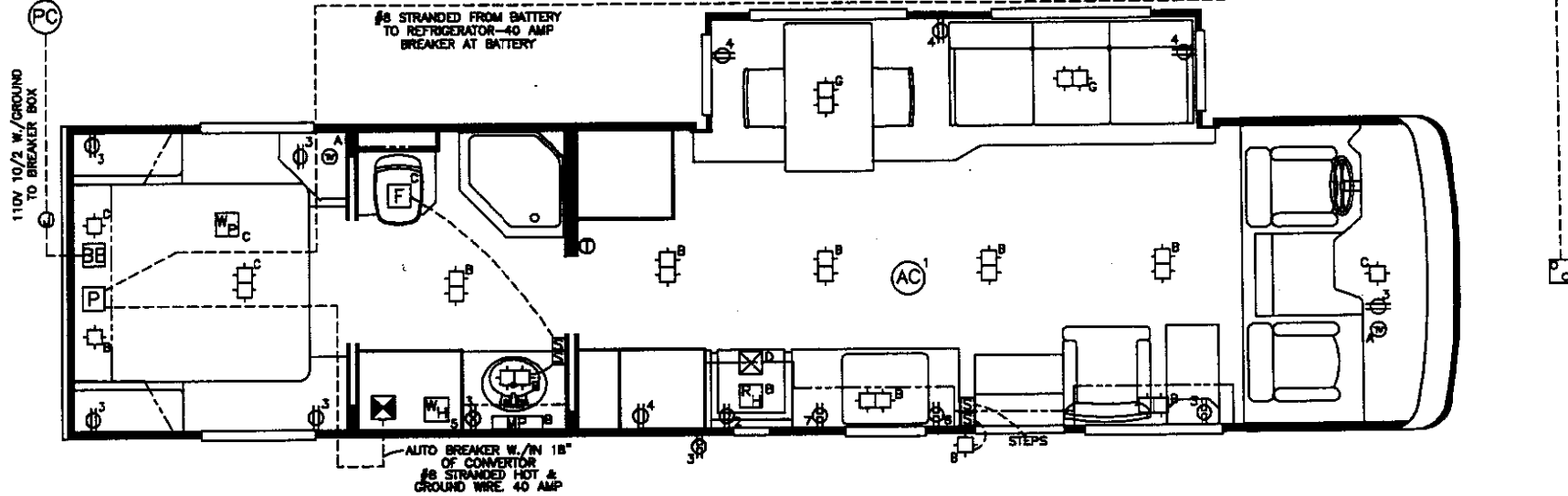
- WATER PUMP
- WATER HEATER
- 12V RANGE HOOD
- 110V CEILING FAN
- FURNACE
- AIR CONDITIONER
- 30 AMP BREAKER BOX 30 AMP OPTION
- CONVERTER W/12V FUSE BLOCK
- 12V DISTRIBUTION PANEL
- 12V STORAGE BATTERY
- 12V FAN VENT
- 12V LIGHT
- 12V SWITCH
- 12V RADIO
- MONITOR PANEL
- 12V RECEPT
- 110V SWITCH
- THERMOSTAT
- T.V. JACK
- 110V RECEPT
- COMP. OPT. BREAKER & RECEPT
- 110V JUNCTION BOX

PREP WIRING MUST END IN A BOX AND BE NUTTED AND TAPED

CIRCUIT	WIRE SIZE	VOLTS	FUSE	BREAKER	LOAD
1	12/2	12/20	20 AMP	20 AMP	AIR CONDITIONER
2	12/2	12/20	15 AMP	15 AMP	CONVERTER & RECEPTS
3	12/2	12/20	15 AMP	15 AMP	WATER PUMP & HEATER
4	12/2	12/20	15 AMP	15 AMP	WATER HEATER
5	12/2	12/20	15 AMP	15 AMP	WATER HEATER
6	12/2	12/20	15 AMP	15 AMP	WATER HEATER
7	12/2	12/20	15 AMP	15 AMP	WATER HEATER
8	12/2	12/20	15 AMP	15 AMP	WATER HEATER
9	12/2	12/20	15 AMP	15 AMP	WATER HEATER
10	12/2	12/20	15 AMP	15 AMP	WATER HEATER
11	12/2	12/20	15 AMP	15 AMP	WATER HEATER
12	12/2	12/20	15 AMP	15 AMP	WATER HEATER
13	12/2	12/20	15 AMP	15 AMP	WATER HEATER
14	12/2	12/20	15 AMP	15 AMP	WATER HEATER
15	12/2	12/20	15 AMP	15 AMP	WATER HEATER
16	12/2	12/20	15 AMP	15 AMP	WATER HEATER
17	12/2	12/20	15 AMP	15 AMP	WATER HEATER
18	12/2	12/20	15 AMP	15 AMP	WATER HEATER
19	12/2	12/20	15 AMP	15 AMP	WATER HEATER
20	12/2	12/20	15 AMP	15 AMP	WATER HEATER
21	12/2	12/20	15 AMP	15 AMP	WATER HEATER
22	12/2	12/20	15 AMP	15 AMP	WATER HEATER
23	12/2	12/20	15 AMP	15 AMP	WATER HEATER
24	12/2	12/20	15 AMP	15 AMP	WATER HEATER
25	12/2	12/20	15 AMP	15 AMP	WATER HEATER
26	12/2	12/20	15 AMP	15 AMP	WATER HEATER
27	12/2	12/20	15 AMP	15 AMP	WATER HEATER
28	12/2	12/20	15 AMP	15 AMP	WATER HEATER
29	12/2	12/20	15 AMP	15 AMP	WATER HEATER
30	12/2	12/20	15 AMP	15 AMP	WATER HEATER
31	12/2	12/20	15 AMP	15 AMP	WATER HEATER
32	12/2	12/20	15 AMP	15 AMP	WATER HEATER
33	12/2	12/20	15 AMP	15 AMP	WATER HEATER
34	12/2	12/20	15 AMP	15 AMP	WATER HEATER
35	12/2	12/20	15 AMP	15 AMP	WATER HEATER
36	12/2	12/20	15 AMP	15 AMP	WATER HEATER
37	12/2	12/20	15 AMP	15 AMP	WATER HEATER
38	12/2	12/20	15 AMP	15 AMP	WATER HEATER
39	12/2	12/20	15 AMP	15 AMP	WATER HEATER
40	12/2	12/20	15 AMP	15 AMP	WATER HEATER
41	12/2	12/20	15 AMP	15 AMP	WATER HEATER
42	12/2	12/20	15 AMP	15 AMP	WATER HEATER
43	12/2	12/20	15 AMP	15 AMP	WATER HEATER
44	12/2	12/20	15 AMP	15 AMP	WATER HEATER
45	12/2	12/20	15 AMP	15 AMP	WATER HEATER
46	12/2	12/20	15 AMP	15 AMP	WATER HEATER
47	12/2	12/20	15 AMP	15 AMP	WATER HEATER
48	12/2	12/20	15 AMP	15 AMP	WATER HEATER
49	12/2	12/20	15 AMP	15 AMP	WATER HEATER
50	12/2	12/20	15 AMP	15 AMP	WATER HEATER

<b>NEWMAR CORP</b> P.O. Box 30, Nappanee, IN. 46550 Title block--3125TB	'97 Model: <b>DA 3658</b>	Sheet <b>2 OF 3</b>	Drawn by: <b>BRETT</b>	Checked by: _____	Revision: <b>REFRIGERATOR RECEPT</b>	By: <b>BRETT</b>
	Title: <b>30 AMP ELECTRICAL DIAGRAM</b>	I.D. # <b>CO/E/7DA3658</b>	Date: <b>3/12/96</b>	Date: _____	Revision: _____	Date: <b>1/8</b>

POWER CORD 28' MIN. EXPOSED CORD



NOTES  
 ALL BREAKERS HACR TYPE  
 ALL AIR COND. MUST ACCEPT HACR BREAKER  
 ALL PRE-WIRE FOR AIR USE 20 AMP FUSE AT BREAKER BOX  
 DISTRIBUTION PANEL EXPOSED TO AISLE SPACE.

ELECTRICAL SYMBOLS

- |                  |                                  |               |                           |
|------------------|----------------------------------|---------------|---------------------------|
| MOTOR PUMP       | 30 AMP BREAKER BOX 30 AMP OPTION | 12V LIGHT     | 110V SWITCH               |
| WATER HEATER     | CONVERTER W/12V FUSE BLOCK       | 12V SWITCH    | THERMOSTAT                |
| 12V RANGE HOOD   | 12V DISTRIBUTION PANEL           | 12V RADIO     | T.V. JACK                 |
| 110V CEILING FAN | 12V STORAGE BATTERY              | MONITOR PANEL | 110V RECEPT               |
| FURNACE          | 12V FAN VENT                     | 12V RECEPT    | COMP. 6P BREAKER & RECEPT |
| AIR CONDITIONER  | POWER CORD                       | 110V LIGHT    | 110V JUNCTION BOX         |

WORKING CLEARANCE MIN. 24Wx22D

PREP WIRING MUST END IN A BOX AND BE NUTTED AND TAPED

CIRCUIT	WIRE SIZE	VOLTS	FUSE	BREAKER	AIR COND.	LOAD
1	12	12	20 AMP			TRUCK POWER
2	12	12	20 AMP			CONVERTER & RECEPTS
3	12	12	20 AMP			WATER HEATER
4	12	12	20 AMP			WATER PUMP
5	12	12	20 AMP			12V FAN VENT
6	12	12	20 AMP			12V FAN VENT
7	12	12	20 AMP			12V FAN VENT
8	12	12	20 AMP			12V FAN VENT
9	12	12	20 AMP			12V FAN VENT
10	12	12	20 AMP			12V FAN VENT
11	12	12	20 AMP			12V FAN VENT
12	12	12	20 AMP			12V FAN VENT
13	12	12	20 AMP			12V FAN VENT
14	12	12	20 AMP			12V FAN VENT
15	12	12	20 AMP			12V FAN VENT
16	12	12	20 AMP			12V FAN VENT
17	12	12	20 AMP			12V FAN VENT
18	12	12	20 AMP			12V FAN VENT
19	12	12	20 AMP			12V FAN VENT
20	12	12	20 AMP			12V FAN VENT
21	12	12	20 AMP			12V FAN VENT
22	12	12	20 AMP			12V FAN VENT
23	12	12	20 AMP			12V FAN VENT
24	12	12	20 AMP			12V FAN VENT
25	12	12	20 AMP			12V FAN VENT
26	12	12	20 AMP			12V FAN VENT
27	12	12	20 AMP			12V FAN VENT
28	12	12	20 AMP			12V FAN VENT
29	12	12	20 AMP			12V FAN VENT
30	12	12	20 AMP			12V FAN VENT
31	12	12	20 AMP			12V FAN VENT
32	12	12	20 AMP			12V FAN VENT
33	12	12	20 AMP			12V FAN VENT
34	12	12	20 AMP			12V FAN VENT
35	12	12	20 AMP			12V FAN VENT
36	12	12	20 AMP			12V FAN VENT
37	12	12	20 AMP			12V FAN VENT
38	12	12	20 AMP			12V FAN VENT
39	12	12	20 AMP			12V FAN VENT
40	12	12	20 AMP			12V FAN VENT
41	12	12	20 AMP			12V FAN VENT
42	12	12	20 AMP			12V FAN VENT
43	12	12	20 AMP			12V FAN VENT
44	12	12	20 AMP			12V FAN VENT
45	12	12	20 AMP			12V FAN VENT
46	12	12	20 AMP			12V FAN VENT
47	12	12	20 AMP			12V FAN VENT
48	12	12	20 AMP			12V FAN VENT
49	12	12	20 AMP			12V FAN VENT
50	12	12	20 AMP			12V FAN VENT

<b>NEWMAR CORP</b> P.O. Box 30, Napanee, IN. 46550 Title block—3125TB	'97 Model: DA 3658 Title: 50 AMP ELECTRICAL DIAGRAM	Sheet 3 OF 3 I.D. # CO/E/ 7DA3658	Drawn by: BRETT Date: 3/12/96	Checked by:  Date:  Revision: REFRIGERATOR RECEPT	By: BRETT Date: 1/8 By: Date: