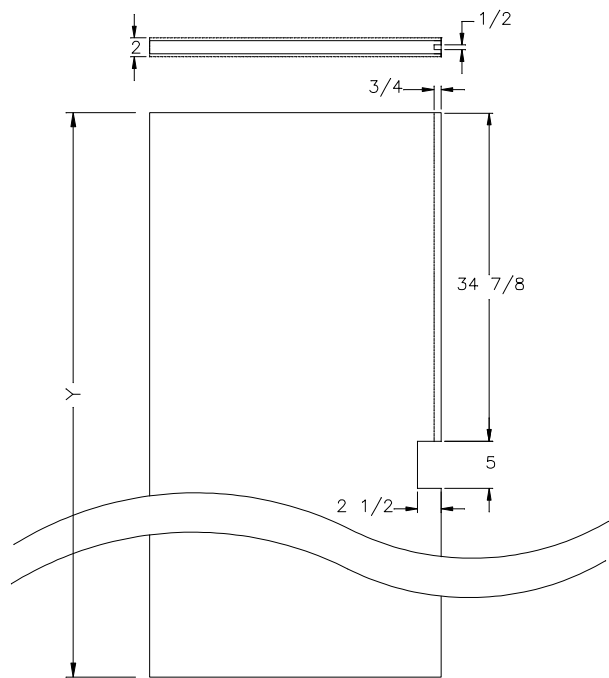
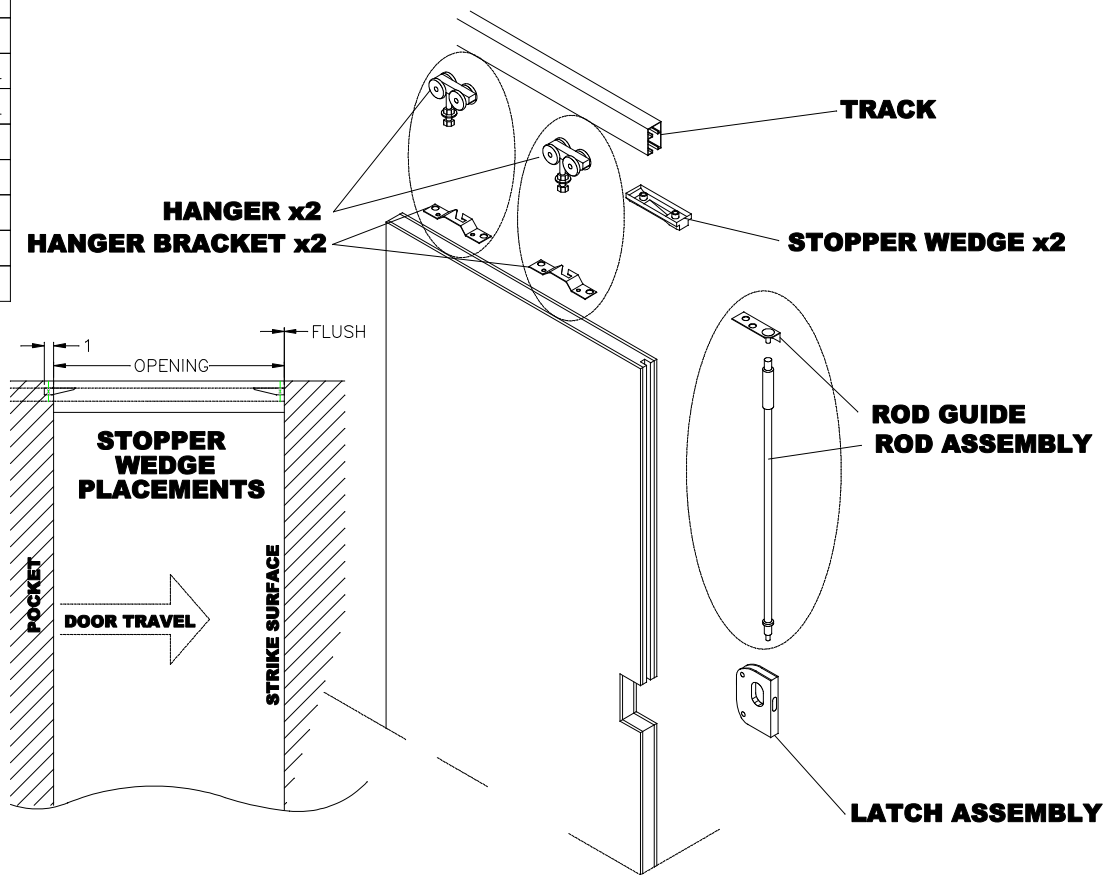


ITEM #	QTY	NEWMAR #	DESCRIPTION
1	2	11647	ROLLER HANGER & BRACKET
2	2	112918	STOPPER WEDGE
3	1	112917	ROD GUIDE & ASSEMBLY
4	1	112919	LATCH ASSEMBLY 1 3/8" BRUSHED NICKEL
5	1	122645	LATCH ASSEMBLY 1" BRUSHED NICKEL
6	1	113222	96" TRACK
7	1	113223	72" TRACK
8	1	113224	57" TRACK
9	1	113225	50" TRACK
10	1	122747	TRCK PL 1" DBL POCKET (BOTTOM)



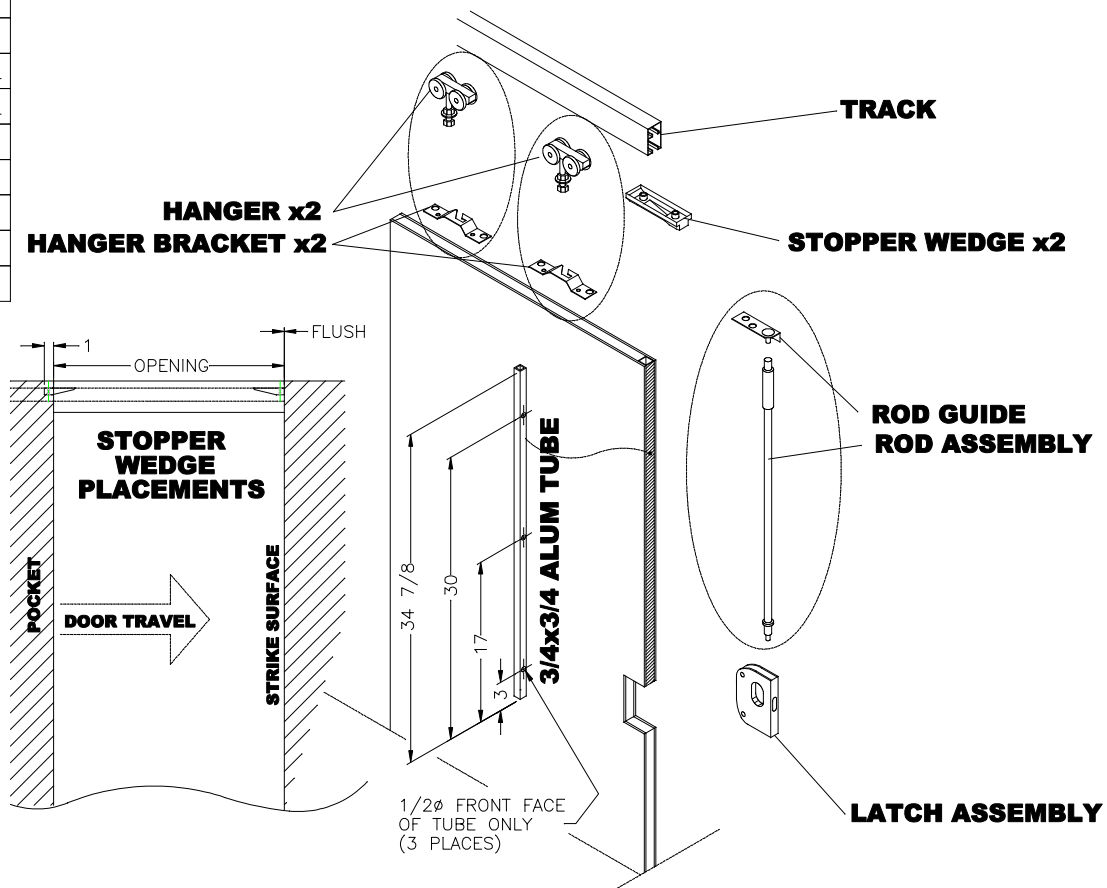
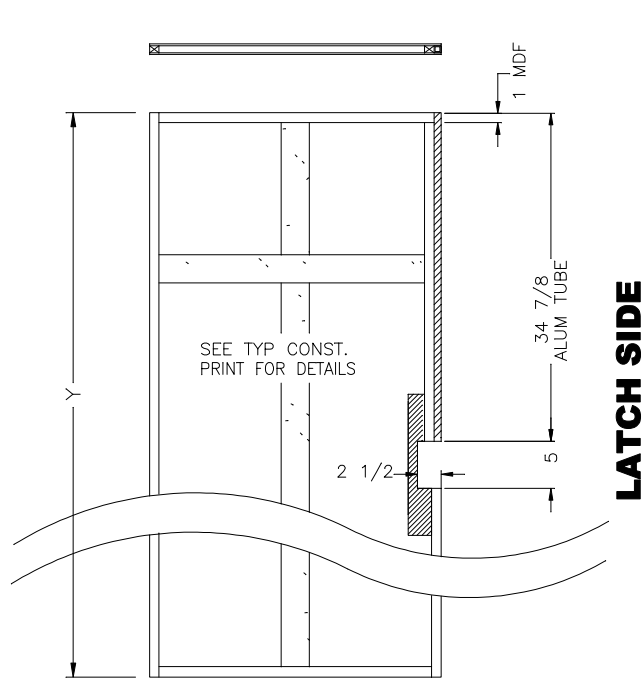
**LATCH SIDE**



**ALL PARTS SHOWN FOR IDENTIFICATION AND APPLICATION REFERENCE ONLY (NOT DIMENSIONALLY ACCURATE)**

<b>NEWMAR CORP</b> P.O. Box 30, Nappanee, IN. 46550 Title block--75TB	Model: VT\DS DIESEL PUSHER Title: HARDWOOD POCKET DOOR 3-WAY LATCH SYSTEM	Sheet 1 OF 2 I.D. # 2014\COMPONENTS\MISC7005	Drawn by: R. T. Date: 1/18/13	Checked by: M. W. Date: 1/21/13	Revision:	By: Date:
	Revision:					By: Date:

ITEM #	QTY	NEWMAR #	DESCRIPTION
1	2	11647	ROLLER HANGER & BRACKET
2	2	112918	STOPPER WEDGE
3	1	112917	ROD GUIDE & ASSEMBLY
4	1	112919	LATCH ASSEMBLY 1 3/8" BRUSHED NICKEL
5	1	122645	LATCH ASSEMBLY 1" BRUSHED NICKEL
6	1	113222	96" TRACK
7	1	113223	72" TRACK
8	1	113224	57" TRACK
9	1	113225	50" TRACK
10	1	122747	TRCK PL 1" DBL POCKET (BOTTOM)



**ALL PARTS SHOWN FOR IDENTIFICATION AND APPLICATION REFERENCE ONLY (NOT DIMENSIONALLY ACCURATE)**

<b>NEWMAR CORP</b> P.O. Box 30, Nappanee, IN. 46550 Title block--75TB	Model: VT\DS DIESEL PUSHER	Sheet 2 OF 2	Drawn by: R. T.	Checked by: M. W.	Revision:	By:
	Title: IN-HOUSE POCKET DOOR 3-WAY LATCH SYSTEM	I.D. # 2014\ COMPONENTS\ MISC7005	Date: 1/18/13	Date: 1/21/13	Revision:	Date:
	Revision:					