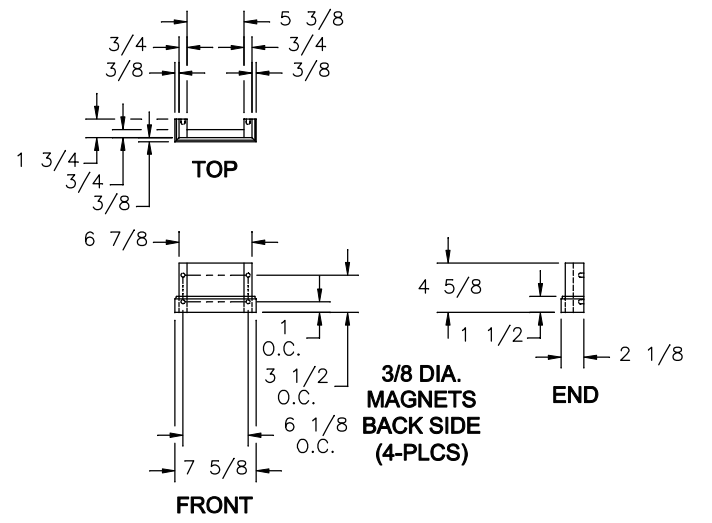
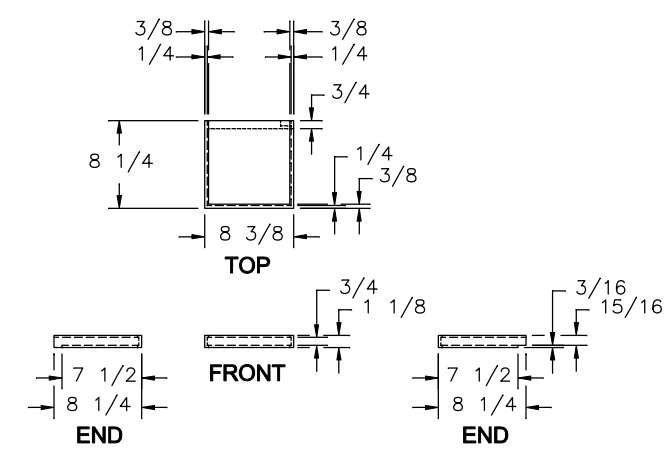


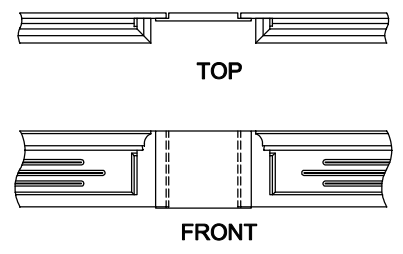
**HORIZONTAL**



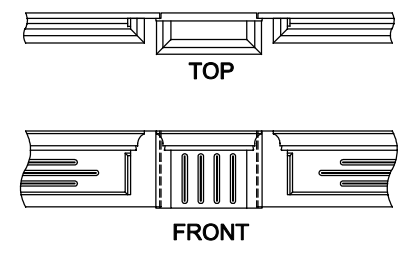
**HWH FLAT FOOR REMOVEABLE FOOT**



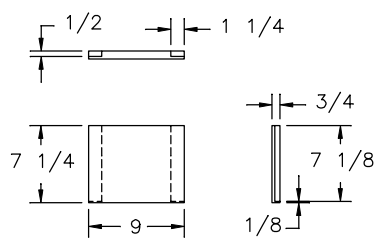
**NON-HWH HEAD PIECE (LEFT/RIGHT REQ'D)**



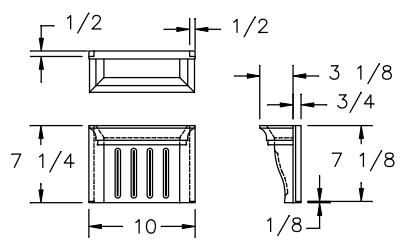
**TYPICAL POCKET DOOR JAMB CONFIGURATION**



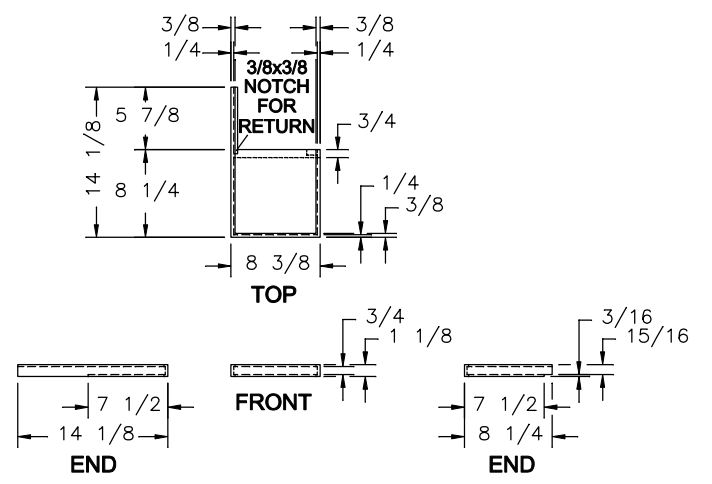
**TYPICAL CENTER BLOCK CONFIGURATION**



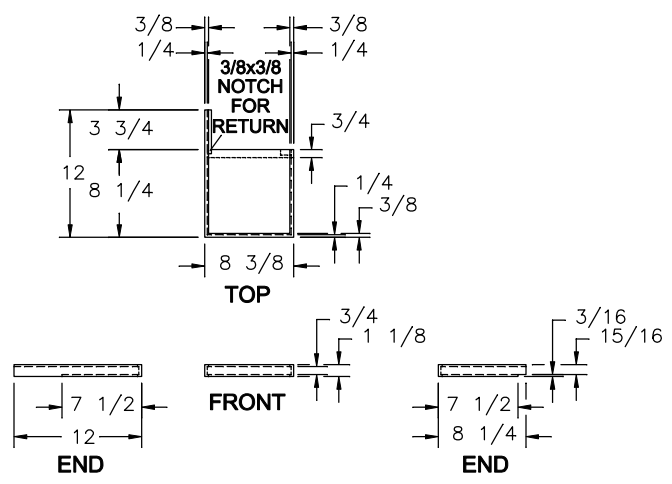
**DIVIDER BLOCK**



**DIVIDER BLOCK**



**HWH FLAT FLOOR HEAD PIECE (LEFT/RIGHT REQ'D)**



**HWH NON-FLAT FLOOR HEAD PIECE (LEFT/RIGHT REQ'D)**

**NEWMAR CORP**  
 P.O. Box 30,  
 Nappanee, IN. 46550  
 UNITS: INCHES  
 TITLE BLOCK: 75TB

Model:  
 LA DP  
 Title:  
 FASCIA DETAILS

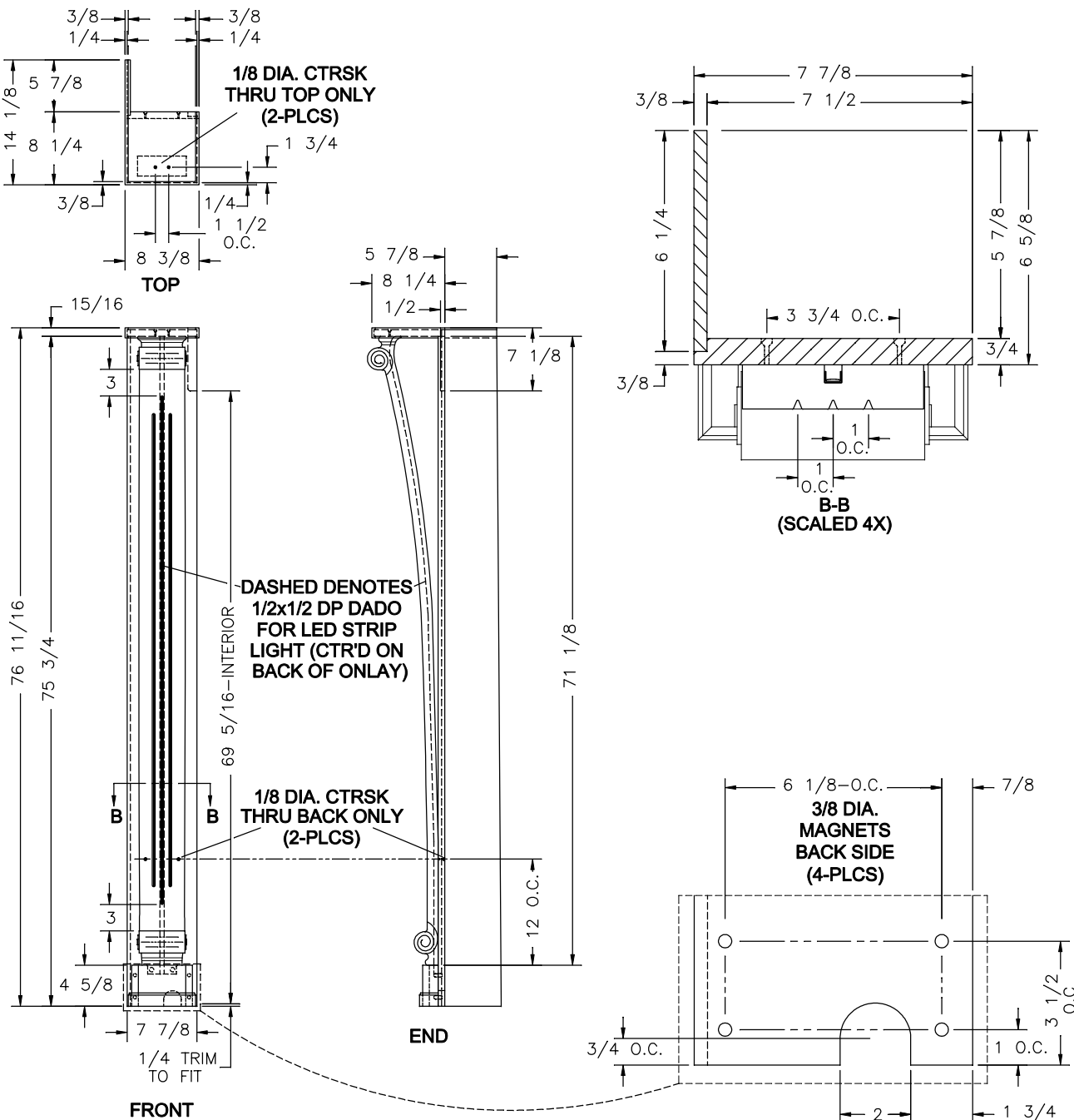
Sheet  
 1 OF 3  
 I.D. # 2020\  
 HE\CAB\FASCIA\  
 LA\_DETAILS

Drawn by:  
 T. S.  
 Date:  
 9/28/18

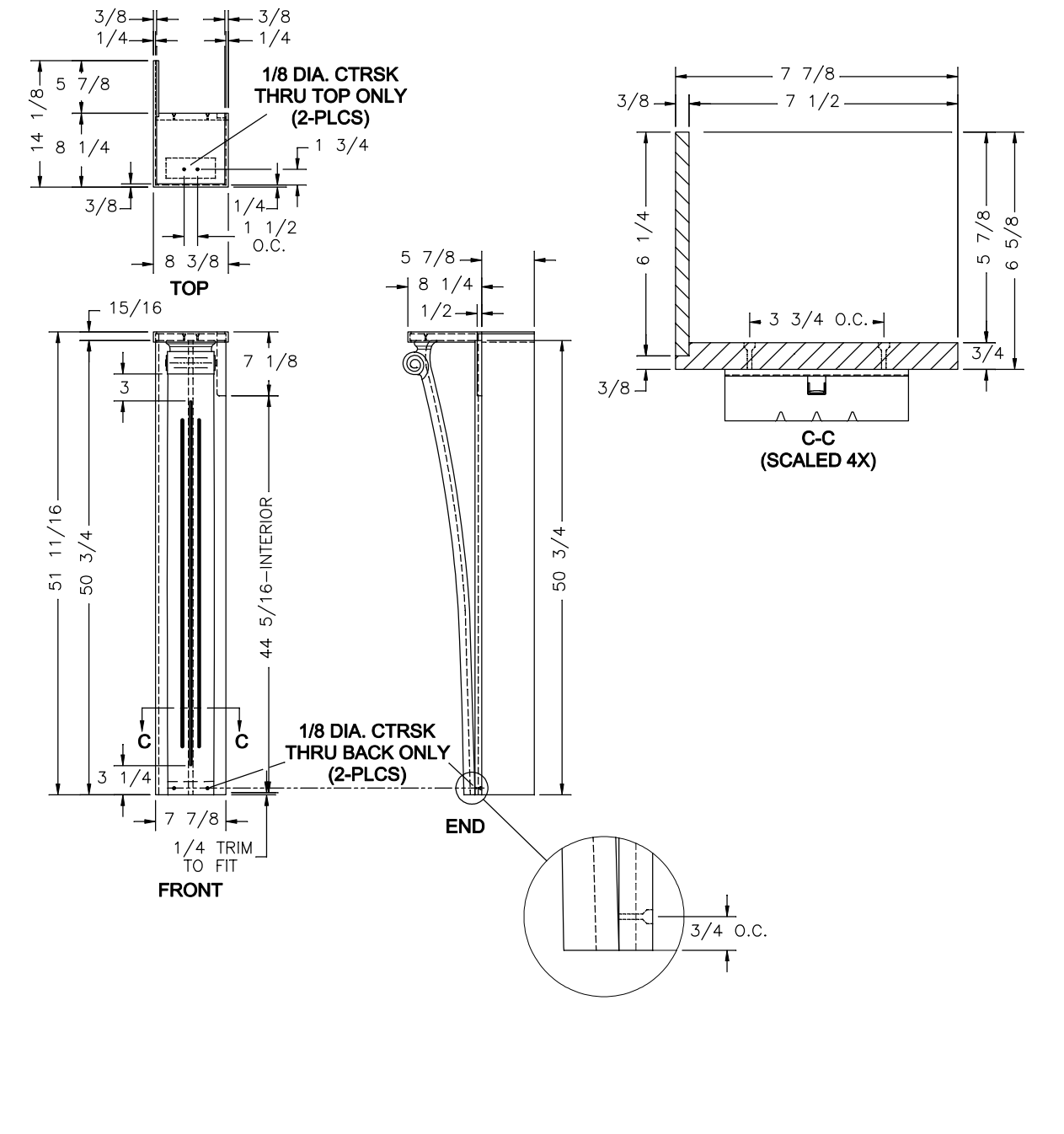
Checked by:  
 B. L. G.  
 Date:  
 10/8/18

Revision:  
 Revision:

By:  
 Date:  
 By:  
 Date:

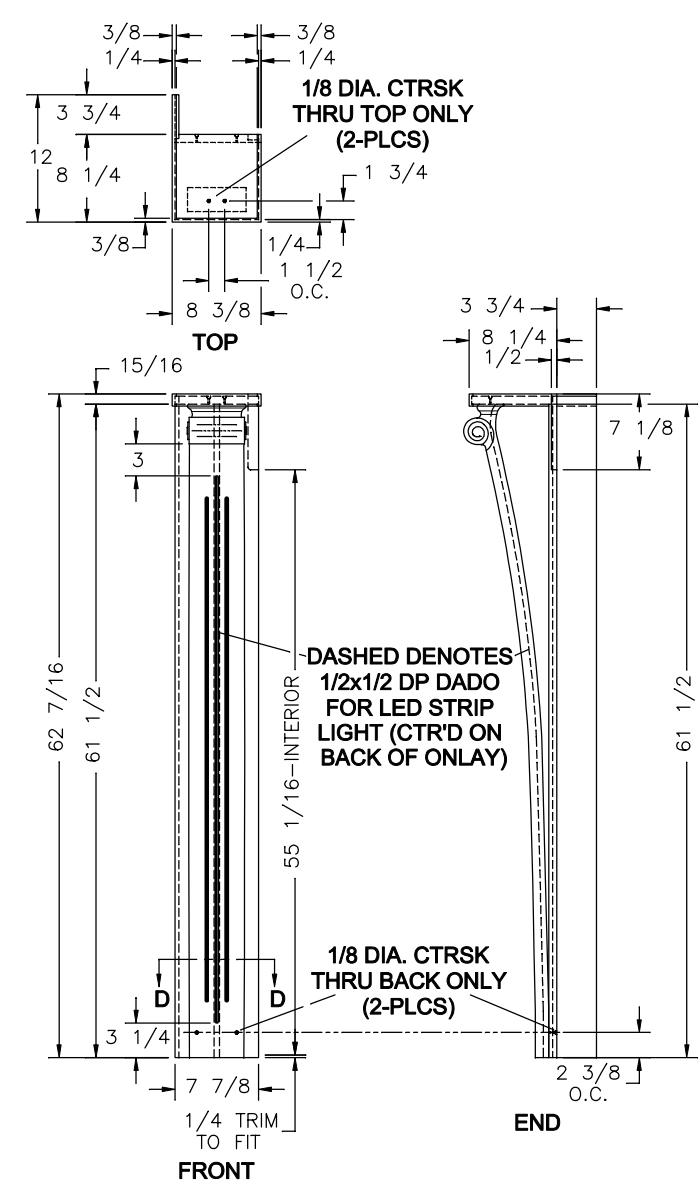


**HWH FLAT FLOOR COLUMN  
(LEFT/RIGHT REQ'D)**

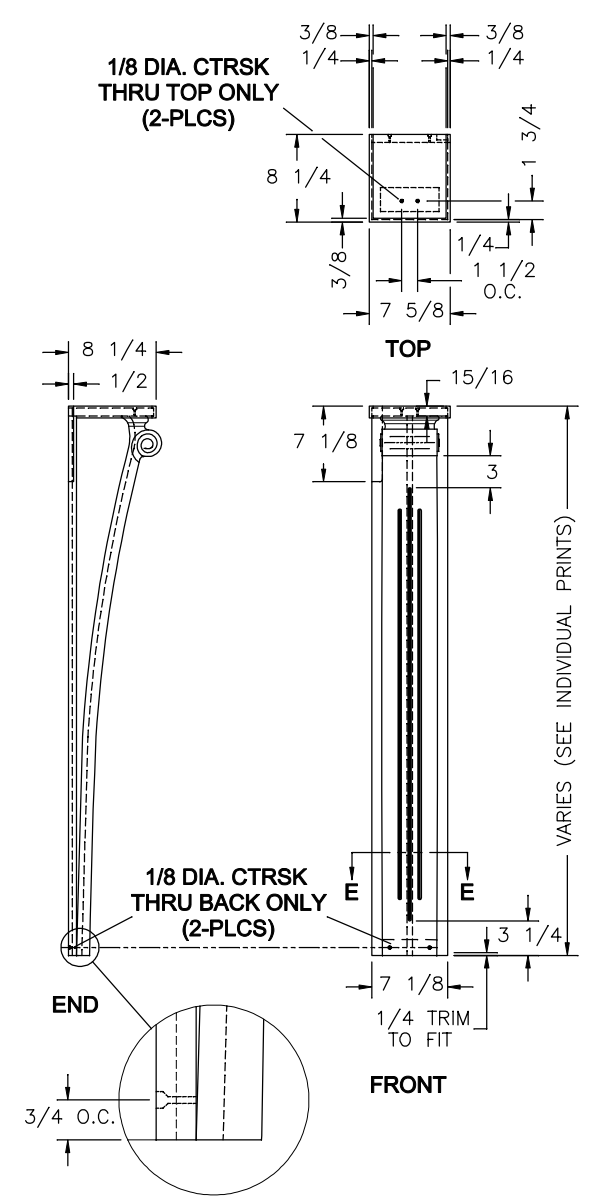
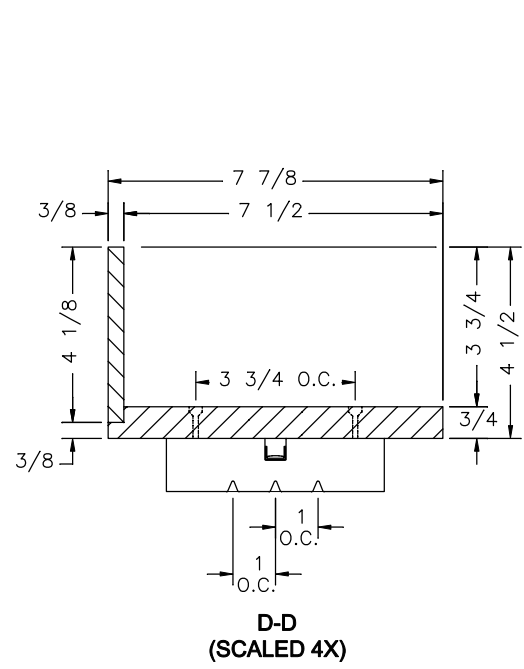


**DOOR SIDE HWH FLAT FLOOR COLUMN  
ON TOP OF END TABLE (OPP-ODS)**

<b>NEWMAR CORP</b> P.O. Box 30, Nappanee, IN. 46550 UNITS: INCHES TITLE BLOCK: 75TB	Model: LA DP	Sheet 2 OF 3	Drawn by: T. S.	Checked by: B. L. G.	Revision:	By:
	Title: FASCIA DETAILS	I.D. # 2020\ HE\CAB\FASCIA\ LA_DETAILS	Date: 9/28/18	Date: 10/8/18	Revision:	Date:



**HWH NON-FLAT FOOR COLUMN  
(LEFT/RIGHT REQ'D)**



**NON-HWH COLUMN  
(LEFT/RIGHT REQ'D)**

**NEWMAR CORP**  
P.O. Box 30,  
Nappanee, IN. 46550

UNITS: INCHES  
TITLE BLOCK: 75TB

Model:  
LA DP

Title:  
FASCIA DETAILS

Sheet  
3 OF 3

I.D. # 2020\  
HE\CAB\FASCIA\  
LA\_DETAILS

Drawn by:  
T. S.

Date:  
9/28/18

Checked by:  
B. L. G.

Date:  
10/8/18

Revision:

Revision:

By:

Date:

By:

Date: