

NEWMAR CORPORATION

WARRANTY DEPARTMENT

TECHNICAL SERVICE BULLETIN

DATE ISSUED	MODEL YEAR(S) AFFECTED	TSB #
6/15/2018	2017, 2018	521
MODEL		
Bay Star Sport <input type="checkbox"/>	Ventana <input type="checkbox"/>	Essex <input type="checkbox"/>
Bay Star <input type="checkbox"/>	Dutch Star <input checked="" type="checkbox"/>	King Aire <input type="checkbox"/>
Canyon Star <input type="checkbox"/>	Mountain Aire <input type="checkbox"/>	New Aire <input type="checkbox"/>
Ventana LE <input type="checkbox"/>	London Aire <input type="checkbox"/>	Other <input type="checkbox"/>
DESCRIPTION		
<p>Newmar Corporation is issuing a TSB for 2017-2018 Dutch Star (43') motorhomes built on a Spartan Chassis.</p> <p>In reverse at full turn, the tread portion of the driver's side front tire may make contact with the jack spring.</p> <p>In the event of a customer concern, a Spartan service center may reduce the turning radius of the front tires to ensure the tires do not make contact with the jack spring.</p> <p>If the tire does not contact the jack spring, <u>no repair</u> will be performed.</p>		
RECOMMENDED ACTION		
<p>Contact Spartan at 855-589-9836 for authorization and to schedule and complete the procedure. Spartan will ship the parts kit to an authorized Spartan service center to perform the update. The attached work instructions were provided by Spartan.</p> <p>Labor time: 1.0 hr. (as determined by Spartan)</p> <p>Note: Newmar will not be authorizing this repair. Spartan will authorize and schedule this repair. If you require help contacting Spartan, contact your Service Account Manager at Newmar for assistance.</p> <p><u>Please read this bulletin in its entirety prior to beginning any diagnosis or repairs.</u></p>		

Work Instructions to Adjust Turning Radius and Reset Poppets

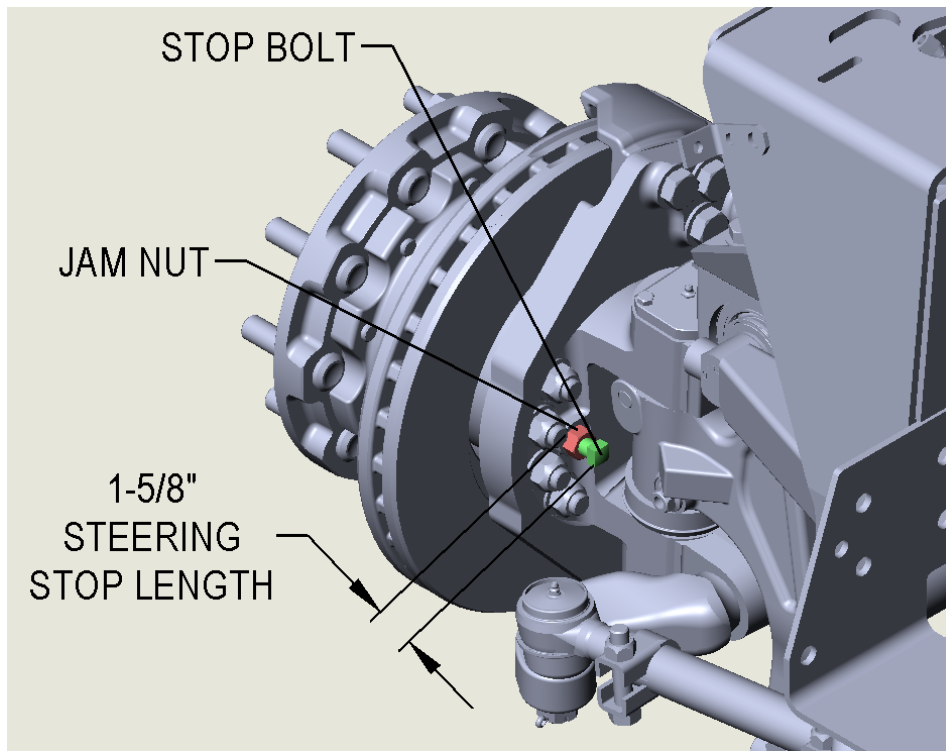
ADJUSTING THE WHEEL TURN ANGLE

The steering stop bolt on the steering knuckle controls the maximum turn angle. If the stop bolt is missing, bent, or broken; replace the stop bolt(s) or jam nut(s) and follow the procedure below for adjustment.

CAUTION:

The steering stop bolt on the steering knuckle controls the maximum turn angle. If the stop bolt is missing, bent, or broken; replace the stop bolt(s) or jam nut(s) and follow the procedure below for adjustment.

1. Loosen the jam nut on the stop bolt.
2. Turn the stop bolt until the steering stop length measures 1-5/8".
3. Tighten the jam nut to 50-75 ft-lb.
4. Repeat the adjustment for turning the opposite direction.



Because the steering stop bolts are adjusted to reduce wheel turn angle, the steering gear poppet valves will require readjustment. If the poppets are not re-adjusted properly, then the steering gear will not reduce power assist properly and steering components will be damaged.

POPPET RESETTING

This resetting procedure will work in most cases with at least 13/4 hand-wheel-turns from each side of center. If you're making a large reduction in wheelcut and this procedure does not work, you may have to replace or internally reset the poppets using the procedure described in the appropriate gear service manual.

1. Set the axle stops to vehicle manufacturer's wheelcut or clearance specifications.
2. Make sure the engine is off and the road wheels are in straight ahead position.
3. Remove and discard the poppet fixed stop bolt and washer (Figure 1, if equipped) from the lower end of the housing on both the main gear and the rotary cylinder. If either unit has a poppet adjusting screw and jam nut that need to be replaced, remove and discard them at this point also.



Figure 1

If a new poppet adjusting screw and nut are being used, turn the screws into the non-sealing end of the jam nuts until the Allen drive end of the screw is flush with the nut. (Figure 2)



Figure 2

CAUTION:

Be sure the Allen drive end of the screw is not below the face of the nut. Failing to keep it flush with the face of the nut will cause the poppet seat flange to break later on during this procedure.

4. If the adjusting screw is already part of the main gear (Figure 3) or rotary cylinder, back the nut off of the adjusting screw until it is flush with the Allen drive end of the adjusting screw.



Figure 3

5. Turn the new adjusting screw and jam nut (without rotating the jam nut on the screw) into the housing until the jam nut is firmly against the housing, on both the main gear and the rotary cylinder, using an Allen wrench. Tighten the jam nut against the housing.

6. Refill the system reservoir with approved hydraulic fluid.

CAUTION:

Do not mix fluid types. Mixing of transmission fluid, motor oil, or other hydraulic fluids will cause seals to deteriorate faster.

7. Place a jack under the center of the front axle and raise the front end of the vehicle so the steer axle tires are off the ground.

8. Start the engine and let it run at idle speed.

9. Note which output shaft timing mark is nearest the housing piston bore.

10. Turn the steering wheel in the direction that makes this timing mark move toward the adjusting screw you just installed (Figure 4) on the main gear. Turn in this direction until axle stop contact is made.



Figure 4

11. Pull hard (Figure 5) on the steering wheel (put 40 lbs. rim pull on a 20" dia. steering wheel) after the axle stop is contacted.



Figure 5

CAUTION:

Do not hold the steering wheel at full turn for more than 10 seconds at a time; the heat build-up at pump relief pressure may damage system components.

12. Turn the steering wheel in the opposite direction (end of timing mark points away from adjusting screw on the main gear, Figure 6) until the other axle stop is contacted.



Figure 6

13. Pull hard on the steering wheel.

14. Release the steering wheel and shut off the engine.

15. Loosen the jam nut and back out the adjusting screw, on both the main gear and the rotary cylinder, until 1" is past the nut (Figure 7). Tighten the jam nuts against the housings.



Figure 7

16. Start the engine and let it idle.

17. Turn the steering wheel, so that the timing mark on the main gear output shaft points toward the adjusting screw, until axle stop contact is made.

18. Pull hard on the steering wheel and hold it in this position for no more than 10 seconds at a time, then release to allow the system to cool.

19. Repeat this hold and release process while completing the following steps for both the main gear and rotary cylinder adjustments.

NOTE:

Pause the turning-in process each time the driver releases the steering wheel; continue turning the adjusting screw in only while the wheel is held at full turn.

Main Gear Adjustment

1. With steering wheel held at full turn, loosen the jam nut on the main gear, and hold it in place with a wrench so it will not contact the housing.

2. Turn the adjusting screw in (clockwise) using finger-pressure only (do not use a ratchet), until the Allen wrench stops. At this point, the adjusting screw has contacted the poppet seat. Do not attempt to turn it in farther.

3. Back off the adjusting screw $3\frac{1}{4}$ turns and tighten the jam nut. Torque the jam nut to 35 ft•lbs.

Rotary Cylinder Adjustment

1. Turn the steering wheel in the opposite direction, so that the timing mark on the main gear output shaft points away from the adjusting screw, until axle stop contact is made.
2. With steering wheel held at full turn, loosen the jam nut on the rotary cylinder and hold it in place with a wrench so it will not contact the housing.
3. Turn the adjusting screw in (clockwise) using finger-pressure only (do not use a ratchet), until the Allen wrench stops. At this point, the adjusting screw has contacted the poppet seat. Do not attempt to turn it in farther.
4. Back off the adjusting screw $3\frac{1}{4}$ turns and tighten the jam nut. Torque the jam nut to 35 ft•lbs.
5. The poppets on both the main gear and rotary cylinder have now been reset. Lower the vehicle. Check the fluid level in the reservoir and fill if required.

NOTE:

Do not remove the poppet adjusting screws, they are now part of the main gear and rotary cylinder assemblies.

NOTE:

The length of the poppet adjusting screw beyond the nut may be different for each vehicle, but must be no more than $1\frac{1}{16}$ " for proper thread engagement (Figure 8)



Figure 8

Prod#	VIN Number	Year	Brand	Type	Floor	Chassis	Date In	Date Off
USA units								
606032	4VZAU1D90HC082120	2017	DS	DP	4369	S	5/13/2016	5/24/2016
606067	4VZAU1D99HC082438	2017	DS	DP	4369	S	7/13/2016	7/21/2016
606072	4VZAU1D96HC082526	2017	DS	DP	4369	S	8/5/2016	8/12/2016
606073	4VZAU1D91HC082532	2017	DS	DP	4369	S	8/12/2016	8/19/2016
606075	4VZAU1D9XHC082447	2017	DS	DP	4369	S	7/14/2016	7/22/2016
606087	4VZAU1D95HC082601	2017	DS	DP	4381	S	8/16/2016	8/23/2016
606090	4VZAU1D91HC082448	2017	DS	DP	4369	S	7/22/2016	8/1/2016
606091	4VZAU1D93HC082564	2017	DS	DP	4369	S	8/12/2016	8/22/2016
606092	4VZAU1D98HC082527	2017	DS	DP	4369	S	8/5/2016	8/15/2016
606093	4VZAU1D94HC082640	2017	DS	DP	4369	S	9/7/2016	9/15/2016
606104	4VZAU1D90HC082599	2017	DS	DP	4369	S	8/10/2016	8/17/2016
606105	4VZAU1D97HC082602	2017	DS	DP	4369	S	8/17/2016	8/25/2016
606106	4VZAU1D97HC082616	2017	DS	DP	4369	S	8/22/2016	8/30/2016
606108	4VZAU1D92HC083107	2017	DS	DP	4369	S	12/6/2016	12/13/2016
606109	4VZAU1D96HC083109	2017	DS	DP	4369	S	12/13/2016	12/20/2016
606110	4VZAU1D99HC082598	2017	DS	DP	4369	S	8/9/2016	8/17/2016
606114	4VZAU1D97HC082499	2017	DS	DP	4369	S	7/25/2016	8/2/2016
606116	4VZAU1D95HC082937	2017	DS	DP	4369	S	10/31/2016	11/8/2016
606132	4VZAU1D91HC082885	2017	DS	DP	4369	S	10/21/2016	10/28/2016
606133	4VZAU1D93HC082600	2017	DS	DP	4369	S	8/10/2016	8/18/2016
606137	4VZAU1D91HC082501	2017	DS	DP	4369	S	7/27/2016	8/4/2016
606138	4VZAU1D99HC082603	2017	DS	DP	4369	S	8/18/2016	8/26/2016
606139	4VZAU1D94HC082525	2017	DS	DP	4369	S	8/2/2016	8/10/2016
606170	4VZAU1D98HC082530	2017	DS	DP	4369	S	8/11/2016	8/19/2016
606173	4VZAU1D9XHC082531	2017	DS	DP	4369	S	8/11/2016	8/19/2016
606174	4VZAU1D99HC082617	2017	DS	DP	4369	S	8/24/2016	8/31/2016
606176	4VZAU1D90HC082618	2017	DS	DP	4369	S	8/24/2016	9/1/2016
606194	4VZAU1D92HC082619	2017	DS	DP	4369	S	8/25/2016	9/2/2016
606204	4VZAU1D94HC082637	2017	DS	DP	4369	S	8/30/2016	9/8/2016
606205	4VZAU1D91HC082529	2017	DS	DP	4369	S	8/8/2016	8/15/2016
606206	4VZAU1D9XHC082528	2017	DS	DP	4311	S	8/9/2016	8/17/2016
606210	4VZAU1D90HC082666	2017	DS	DP	4326	S	9/28/2016	10/6/2016
606218	4VZAU1D91HC082661	2017	DS	DP	4369	S	9/7/2016	9/15/2016
606243	4VZAU1D96HC082638	2017	DS	DP	4369	S	9/6/2016	9/14/2016
606261	4VZAU1D92HC082667	2017	DS	DP	4369	S	9/29/2016	10/6/2016
606262	4VZAU1D92HC082717	2017	DS	DP	4369	S	9/29/2016	10/7/2016
606263	4VZAU1D93HC082662	2017	DS	DP	4369	S	9/22/2016	9/30/2016
606264	4VZAU1D94HC082718	2017	DS	DP	4369	S	10/3/2016	10/11/2016
606265	4VZAU1D98HC082737	2017	DS	DP	4369	S	10/4/2016	10/11/2016
606266	4VZAU1D9XHC082738	2017	DS	DP	4369	S	10/4/2016	10/12/2016
606273	4VZAU1D90HC082781	2017	DS	DP	4310	S	10/10/2016	10/18/2016
606274	4VZAU1D92HC082782	2017	DS	DP	4326	S	10/11/2016	10/19/2016
606281	4VZAU1D90HC082800	2017	DS	DP	4369	S	10/12/2016	10/20/2016
606284	4VZAU1D92HC082801	2017	DS	DP	4369	S	10/13/2016	10/21/2016
606296	4VZAU1D98HC082883	2017	DS	DP	4369	S	10/20/2016	10/28/2016
606297	4VZAU1D9XHC082884	2017	DS	DP	4369	S	10/20/2016	10/28/2016
606298	4VZAU1D92HC082832	2017	DS	DP	4369	S	10/20/2016	10/27/2016
606299	4VZAU1D92HC082829	2017	DS	DP	4369	S	11/22/2016	12/1/2016
606301	4VZAU1D90HC082831	2017	DS	DP	4369	S	10/13/2016	10/21/2016
606310	4VZAU1D93HC082936	2017	DS	DP	4369	S	10/26/2016	11/2/2016

Prod#	VIN Number	Year	Brand	Type	Floor	Chassis	Date In	Date Off
606311	4VZAU1D92HC083110	2017	DS	DP	4369	S	12/7/2016	12/14/2016
606316	4VZAU1D97HC082938	2017	DS	DP	4369	S	10/24/2016	10/31/2016
606318	4VZAU1D9XHC082979	2017	DS	DP	4369	S	11/1/2016	11/8/2016
606331	4VZAU1D96HC082980	2017	DS	DP	4311	S	11/10/2016	11/18/2016
606333	4VZAU1D99HC083105	2017	DS	DP	4369	S	11/30/2016	12/8/2016
606336	4VZAU1D99HC083041	2017	DS	DP	4369	S	11/14/2016	11/21/2016
606347	4VZAU1D90HC083106	2017	DS	DP	4369	S	12/2/2016	12/12/2016
606350	4VZAU1D92HC083043	2017	DS	DP	4369	S	11/23/2016	12/5/2016
606351	4VZAU1D98HC082799	2017	DS	DP	4326	S	11/18/2016	11/30/2016
606353	4VZAU1D90HC083042	2017	DS	DP	4326	S	11/17/2016	11/29/2016
606354	4VZAU1D98HC082981	2017	DS	DP	4369	S	11/15/2016	11/22/2016
606364	4VZAU1D99HC082830	2017	DS	DP	4369	S	11/28/2016	12/6/2016
606367	4VZAU1D96HC083188	2017	DS	DP	4369	S	12/21/2016	1/12/2017
606368	4VZAU1D98HC083242	2017	DS	DP	4369	S	1/25/2017	2/1/2017
606369	4VZAU1D94HC083111	2017	DS	DP	4369	S	12/9/2016	12/19/2016
606377	4VZAU1D97HC083152	2017	DS	DP	4369	S	12/15/2016	1/9/2017
606384	4VZAU1D94HC083108	2017	DS	DP	4369	S	12/12/2016	12/20/2016
606387	4VZAU1D98HC083189	2017	DS	DP	4369	S	1/11/2017	1/18/2017
606400	4VZAU1D94HC083190	2017	DS	DP	4369	S	1/23/2017	1/31/2017
606416	4VZAU1D93HC083438	2017	DS	DP	4369	S	3/10/2017	3/20/2017
606420	4VZAU1D92HC083396	2017	DS	DP	4369	S	2/28/2017	3/8/2017
606422	4VZAU1D96HC083191	2017	DS	DP	4369	S	1/24/2017	1/31/2017
606427	4VZAU1D91HC083244	2017	DS	DP	4369	S	2/6/2017	2/14/2017
606433	4VZAU1D94HC083321	2017	DS	DP	4369	S	2/16/2017	2/24/2017
606438	4VZAU1D96HC083305	2017	DS	DP	4369	S	2/8/2017	2/16/2017
606444	4VZAU1D94JC082868	2018	DS	DP	4362	S	1/9/2017	1/16/2017
606449	4VZAU1D97HC083295	2017	DS	DP	4369	S	2/13/2017	2/21/2017
606451	4VZAU1D90HC083395	2017	DS	DP	4369	S	2/16/2017	2/24/2017
606454	4VZAU1D90JC083435	2018	DS	DP	4327	S	3/9/2017	3/17/2017
606455	4VZAU1D98HC083306	2017	DS	DP	4311	S	2/9/2017	2/17/2017
606456	4VZAU1D92HC083320	2017	DS	DP	4369	S	2/14/2017	2/22/2017
606467	4VZAU1D9XHC083534	2017	DS	DP	4369	S	3/31/2017	4/10/2017
606476	4VZAU1D9XHC083243	2017	DS	DP	4326	S	1/30/2017	2/7/2017
606479	4VZAU1D96HC083322	2017	DS	DP	4369	S	2/14/2017	2/22/2017
606589	4VZAU1D97HC083409	2017	DS	DP	4381	S	3/3/2017	3/10/2017
606600	4VZAU1D91HC083535	2017	DS	DP	4369	S	4/6/2017	4/13/2017
606602	4VZAU1D95HC083523	2017	DS	DP	4310	S	3/20/2017	3/28/2017
606605	4VZAU1D95HC083439	2017	DS	DP	4369	S	3/14/2017	3/22/2017
606610	4VZAU1D97HC083524	2017	DS	DP	4369	S	3/27/2017	4/4/2017
606614	4VZAU1D91HC083437	2017	DS	DP	4369	S	3/17/2017	3/24/2017
606615	4VZAU1D96HC083563	2017	DS	DP	4369	S	4/10/2017	4/19/2017
606616	4VZAU1D95HC083599	2017	DS	DP	4369	S	4/26/2017	5/3/2017
606625	4VZAU1D98HC083564	2017	DS	DP	4369	S	4/13/2017	4/21/2017
606634	4VZAU1D99HC083525	2017	DS	DP	4310	S	3/29/2017	4/5/2017
606647	4VZAU1D91HC083583	2017	DS	DP	4369	S	4/19/2017	4/27/2017
606649	4VZAU1D94HC083643	2017	DS	DP	4369	S	5/1/2017	5/8/2017
606652	4VZAU1D94JC082871	2018	DS	DP	4362	S	3/20/2017	3/28/2017
606655	4VZAU1D9XHC083582	2017	DS	DP	4381	S	4/18/2017	4/25/2017
606662	4VZAU1D95HC083652	2017	DS	DP	4369	S	5/8/2017	5/16/2017
606663	4VZAU1D93HC083536	2017	DS	DP	4369	S	4/7/2017	4/18/2017
606669	4VZAU1D93HC083732	2017	DS	DP	4369	S	5/15/2017	5/22/2017

Prod#	VIN Number	Year	Brand	Type	Floor	Chassis	Date In	Date Off
606671	4VZAU1D93HC083598	2017	DS	DP	4310	S	4/24/2017	5/2/2017
606679	4VZAU1D99HC083735	2017	DS	DP	4369	S	5/18/2017	5/31/2017
606682	4VZAU1D94HC083562	2017	DS	DP	4369	S	4/10/2017	4/18/2017
606685	4VZAU1D96JC083729	2018	DS	DP	4311	S	5/9/2017	5/17/2017
606687	4VZAU1D92HC083642	2017	DS	DP	4369	S	4/28/2017	5/5/2017
606689	4VZAU1D96HC083644	2017	DS	DP	4369	S	5/3/2017	5/11/2017
606691	4VZAU1D97HC083734	2017	DS	DP	4369	S	5/16/2017	5/24/2017
606693	4VZAU1D98JC084414	2018	DS	DP	4369	S	10/9/2017	10/17/2017
606695	4VZAU1D9XJC084253	2018	DS	DP	4369	S	9/11/2017	9/19/2017
606703	4VZAU1D94JC083762	2018	DS	DP	4369	S	5/31/2017	6/7/2017
606704	4VZAU1D97JC083772	2018	DS	DP	4369	S	6/7/2017	6/16/2017
606708	4VZAU1D99JC083773	2018	DS	DP	4310	S	6/8/2017	6/16/2017
606714	4VZAU1D92JC083761	2018	DS	DP	4369	S	5/30/2017	6/6/2017
606720	4VZAU1D92JC084070	2018	DS	DP	4362	S	7/31/2017	8/8/2017
606722	4VZAU1D90JC083998	2018	DS	DP	4362	S	7/18/2017	7/26/2017
606736	4VZAU1D93JC083896	2018	DS	DP	4369	S	6/23/2017	7/12/2017
606738	4VZAU1D95JC083785	2018	DS	DP	4369	S	6/12/2017	6/20/2017
606740	4VZAU1D9XJC084401	2018	DS	DP	4327	S	9/26/2017	10/4/2017
606743	4VZAU1D98JC084252	2018	DS	DP	4369	S	9/12/2017	9/20/2017
606749	4VZAU1D9XJC084415	2018	DS	DP	4369	S	10/16/2017	10/23/2017
606754	4VZAU1D98JC084400	2018	DS	DP	4369	S	10/3/2017	10/11/2017
606756	4VZAU1D92JC085185	2018	DS	DP	4369	S	3/20/2018	3/27/2018
606759	4VZAU1D99JC084745	2018	DS	DP	4369	S	12/8/2017	12/18/2017
606763	4VZAU1D95JC084743	2018	DS	DP	4327	S	12/6/2017	12/14/2017
606767	4VZAU1D91JC084514	2018	DS	DP	4369	S	10/26/2017	11/3/2017
606778	4VZAU1D99JC084390	2018	DS	DP	4369	S	9/22/2017	10/2/2017
606780	4VZAU1D96JC084072	2018	DS	DP	4369	S	8/3/2017	8/11/2017
606781	4VZAU1D96JC084301	2018	DS	DP	4369	S	9/13/2017	9/21/2017
606782	4VZAU1D92JC084151	2018	DS	DP	4369	S	8/18/2017	8/28/2017
606786	4VZAU1D92JC084084	2018	DS	DP	4369	S	8/10/2017	8/18/2017
606788	4VZAU1D95JC084001	2018	DS	DP	4369	S	7/25/2017	8/2/2017
606794	4VZAU1D9XJC083877	2018	DS	DP	4327	S	6/21/2017	6/29/2017
606802	4VZAU1D97JC083996	2018	DS	DP	4362	S	7/10/2017	7/18/2017
606804	4VZAU1D99JC083997	2018	DS	DP	4327	S	7/18/2017	7/26/2017
606809	4VZAU1D98JC084509	2018	DS	DP	4369	S	10/20/2017	10/30/2017
606813	4VZAU1D94JC084328	2018	DS	DP	4362	S	9/19/2017	9/27/2017
606821	4VZAU1D93JC084241	2018	DS	DP	4362	S	9/1/2017	9/13/2017
606822	4VZAU1D93JC083784	2018	DS	DP	4369	S	6/15/2017	6/23/2017
606823	4VZAU1D91JC083878	2018	DS	DP	4369	S	6/21/2017	7/10/2017
606824	4VZAU1D93JC084000	2018	DS	DP	4362	S	7/20/2017	7/27/2017
606825	4VZAU1D93JC083879	2018	DS	DP	4362	S	6/21/2017	7/10/2017
606826	4VZAU1D92JC084067	2018	DS	DP	4327	S	7/27/2017	8/4/2017
606836	4VZAU1D98JC084302	2018	DS	DP	4369	S	9/14/2017	9/22/2017
606837	4VZAU1D92JC084330	2018	DS	DP	4369	S	9/21/2017	9/29/2017
606838	4VZAU1D95JC083950	2018	DS	DP	4369	S	7/13/2017	7/21/2017
606840	4VZAU1D97JC084002	2018	DS	DP	4369	S	7/21/2017	7/31/2017
606841	4VZAU1D94JC084068	2018	DS	DP	4369	S	7/27/2017	8/4/2017
606845	4VZAU1D96JC084069	2018	DS	DP	4369	S	7/28/2017	8/7/2017
606851	4VZAU1D96JC084329	2018	DS	DP	4362	S	9/21/2017	9/28/2017
606852	4VZAU1D92JC084389	2018	DS	DP	4327	S	9/22/2017	9/29/2017
606867	4VZAU1D99JC084003	2018	DS	DP	4369	S	7/21/2017	7/31/2017

Prod#	VIN Number	Year	Brand	Type	Floor	Chassis	Date In	Date Off
606876	4VZAU1D97JC084243	2018	DS	DP	4369	S	9/5/2017	9/13/2017
606877	4VZAU1D91JC084416	2018	DS	DP	4369	S	10/17/2017	10/25/2017
606878	4VZAU1D96JC084685	2018	DS	DP	4369	S	11/20/2017	11/30/2017
606880	4VZAU1D97JC083951	2018	DS	DP	4369	S	7/10/2017	7/18/2017
606883	4VZAU1D92JC084182	2018	DS	DP	4369	S	8/28/2017	9/5/2017
606897	4VZAU1D95JC084080	2018	DS	DP	4369	S	8/4/2017	8/14/2017
606907	4VZAU1D94JC085401	2018	DS	DP	4369	S	4/13/2018	4/23/2018
606908	4VZAU1D96JC084864	2018	DS	DP	4369	S	1/23/2018	1/30/2018
606914	4VZAU1D99JC084924	2018	DS	DP	4362	S	1/19/2018	1/26/2018
606915	4VZAU1D90JC084391	2018	DS	DP	4369	S	9/25/2017	10/3/2017
606917	4VZAU1D9XJC084513	2018	DS	DP	4369	S	10/24/2017	11/1/2017
606918	4VZAU1D94JC085186	2018	DS	DP	4369	S	3/21/2018	3/29/2018
606933	4VZAU1D92JC084926	2018	DS	DP	4369	S	1/24/2018	1/31/2018
606936	4VZAU1D97JC084985	2018	DS	DP	4369	S	2/6/2018	2/13/2018
606939	4VZAU1D94JC084927	2018	DS	DP	4369	S	2/1/2018	2/8/2018
606945	4VZAU1D94JC084149	2018	DS	DP	4369	S	8/17/2017	8/24/2017
606946	4VZAU1D90JC084150	2018	DS	DP	4310	S	8/17/2017	8/25/2017
606952	4VZAU1D94JC084183	2018	DS	DP	4327	S	8/28/2017	9/6/2017
606953	4VZAU1D90JC084925	2018	DS	DP	4369	S	1/25/2018	2/1/2018
606954	4VZAU1D9XJC084303	2018	DS	DP	4369	S	9/15/2017	9/25/2017
606964	4VZAU1D92JC084148	2018	DS	DP	4369	S	8/16/2017	8/23/2017
606965	4VZAU1D97JC084081	2018	DS	DP	4369	S	8/7/2017	8/15/2017
606966	4VZAU1D99JC084082	2018	DS	DP	4326	S	8/9/2017	8/16/2017
606969	4VZAU1D96JC084007	2018	DS	DP	4327	S	8/8/2017	8/16/2017
606971	4VZAU1D90JC084083	2018	DS	DP	4369	S	8/9/2017	8/16/2017
606973	4VZAU1D96JC084184	2018	DS	DP	4369	S	8/29/2017	9/7/2017
606974	4VZAU1D90JC084181	2018	DS	DP	4369	S	8/23/2017	9/5/2017
606976	4VZAU1D96JC084928	2018	DS	DP	4369	S	2/1/2018	2/9/2018
606981	4VZAU1D94JC084152	2018	DS	DP	4369	S	8/21/2017	8/29/2017
606989	4VZAU1D96JC084413	2018	DS	DP	4369	S	10/6/2017	10/16/2017
606994	4VZAU1D97JC084436	2018	DS	DP	4362	S	10/19/2017	10/26/2017
606997	4VZAU1D98JC084512	2018	DS	DP	4327	S	10/24/2017	11/1/2017
607001	4VZAU1D93JC084403	2018	DS	DP	4369	S	9/25/2017	10/3/2017
607008	4VZAU1D96JC084511	2018	DS	DP	4362	S	10/24/2017	10/31/2017
607009	4VZAU1D99JC084437	2018	DS	DP	4362	S	10/19/2017	10/27/2017
607010	4VZAU1D97JC084601	2018	DS	DP	4362	S	11/9/2017	11/17/2017
607018	4VZAU1D98JC084610	2018	DS	DP	4369	S	11/30/2017	12/8/2017
607019	4VZAU1D95JC084645	2018	DS	DP	4369	S	11/22/2017	12/4/2017
607020	4VZAU1D9XJC084608	2018	DS	DP	4369	S	11/14/2017	11/22/2017
607021	4VZAU1D95JC084600	2018	DS	DP	4369	S	11/7/2017	11/15/2017
607022	4VZAU1D93JC084515	2018	DS	DP	4369	S	10/31/2017	11/8/2017
607023	4VZAU1D95JC084550	2018	DS	DP	4369	S	11/6/2017	11/14/2017
607024	4VZAU1D91JC084609	2018	DS	DP	4369	S	11/14/2017	11/22/2017
607038	4VZAU1D97JC084517	2018	DS	DP	4310	S	11/1/2017	11/8/2017
607042	4VZAU1D96JC084816	2018	DS	DP	4326	S	1/10/2018	1/18/2018
607043	4VZAU1D95JC084760	2018	DS	DP	4326	S	12/13/2017	12/20/2017
607044	4VZAU1D94JC084815	2018	DS	DP	4311	S	1/10/2018	1/18/2018
607047	4VZAU1D92JC084862	2018	DS	DP	4327	S	1/17/2018	1/24/2018
607050	4VZAU1D98JC085403	2018	DS	DP	4369	S	4/20/2018	4/27/2018
607053	4VZAU1D94JC084412	2018	DS	DP	4369	S	10/5/2017	10/13/2017
607056	4VZAU1D9XJC084804	2018	DS	DP	4369	S	1/9/2018	1/16/2018

Prod#	VIN Number	Year	Brand	Type	Floor	Chassis	Date In	Date Off
607058	4VZAU1D91JC084240	2018	DS	DP	4310	S	8/31/2017	9/11/2017
607066	4VZAU1D99JC084549	2018	DS	DP	4369	S	11/3/2017	11/13/2017
607069	4VZAU1D92JC085378	2018	DS	DP	4369	S	4/13/2018	4/20/2018
607071	4VZAU1D94JC085527	2018	DS	DP	4369	S	5/7/18	5/15/18
607073	4VZAU1D92JC085445	2018	DS	DP	4369	S	4/20/2018	4/30/2018
607092	4VZAU1D97JC084761	2018	DS	DP	4327	S	12/14/2017	12/21/2017
607093	4VZAU1D98JC084686	2018	DS	DP	4362	S	12/1/2017	12/11/2017
607096	4VZAU1D95JC084435	2018	DS	DP	4369	S	10/18/2017	10/25/2017
607099	4VZAU1D91JC084402	2018	DS	DP	4369	S	10/2/2017	10/9/2017
607102	4VZAU1D91JC085176	2018	DS	DP	4369	S	3/16/2018	3/23/2018
607105	4VZAU1D96JC085254	2018	DS	DP	4369	S	3/29/2018	4/6/2018
607112	4VZAU1D92JC084327	2018	DS	DP	4369	S	9/18/2017	9/26/2017
607114	4VZAU1D9XJC085032	2018	DS	DP	4369	S	3/2/2018	3/9/2018
607115	4VZAU1D9XJC084866	2018	DS	DP	4369	S	1/18/2018	1/25/2018
607116	4VZAU1D90JC085072	2018	DS	DP	4362	S	3/2/2018	3/12/2018
607118	4VZAU1D9XJC084611	2018	DS	DP	4369	S	11/20/2017	11/30/2017
607119	4VZAU1D98JC084803	2018	DS	DP	4369	S	12/18/2017	1/10/2018
607120	4VZAU1D99JC084602	2018	DS	DP	4369	S	11/10/2017	11/17/2017
607125	4VZAU1D94JC084295	2018	DS	DP	4369	S	4/19/2018	4/26/2018
607128	4VZAU1D96JC085190	2018	DS	DP	4369	S	3/29/2018	4/6/2018
607132	4VZAU1D9XJC084687	2018	DS	DP	4326	S	12/5/2017	12/13/2017
607135	4VZAU1D92JC084392	2018	DS	DP	4362	S	9/26/2017	10/4/2017
607138	4VZAU1D99JC084857	2018	DS	DP	4369	S	1/12/2018	1/22/2018
607141	4VZAU1D98JC084929	2018	DS	DP	4310	S	1/31/2018	2/7/2018
607142	4VZAU1D94JC084510	2018	DS	DP	4369	S	10/23/2017	10/31/2017
607144	4VZAU1D99JC084759	2018	DS	DP	4369	S	12/12/2017	12/20/2017
607151	4VZAU1D96JC085402	2018	DS	DP	4369	S	4/20/2018	4/27/2018
607154	4VZAU1D98JC084865	2018	DS	DP	4369	S	1/23/2018	1/31/2018
607155	4VZAU1D96JC085464	2018	DS	DP	4369	S	4/25/2018	5/3/2018
607156	4VZAU1D96JC085447	2018	DS	DP	4369	S	4/26/2018	5/3/2018
607167	4VZAU1D92JC085073	2018	DS	DP	4369	S	3/2/2018	3/12/2018
607171	4VZAU1D99JC084860	2018	DS	DP	4327	S	1/16/2018	1/24/2018
607172	4VZAU1D90JC085010	2018	DS	DP	4369	S	2/23/2018	3/5/2018
607174	4VZAU1D95JC084516	2018	DS	DP	4369	S	10/27/2017	11/6/2017
607175	4VZAU1D97JC084744	2018	DS	DP	4369	S	12/8/2017	12/18/2017
607180	4VZAU1D92JC084814	2018	DS	DP	4326	S	1/9/2018	1/17/2018
607183	4VZAU1D96JC085075	2018	DS	DP	4362	S	3/6/2018	3/14/2018
607186	4VZAU1D94JC084863	2018	DS	DP	4327	S	1/19/2018	1/29/2018
607190	4VZAU1D99JC084986	2018	DS	DP	4327	S	2/12/2018	2/19/2018
607191	4VZAU1D95JC084984	2018	DS	DP	4369	S	2/2/2018	2/12/2018
607192	4VZAU1D92JC084859	2018	DS	DP	4369	S	1/16/2018	1/23/2018
607193	4VZAU1D90JC084858	2018	DS	DP	4369	S	1/16/2018	1/23/2018
607195	4VZAU1D90JC084987	2018	DS	DP	4327	S	2/7/2018	2/14/2018
607201	4VZAU1D97JC084758	2018	DS	DP	4369	S	12/18/2017	1/10/2018
607202	4VZAU1D91JC085257	2018	DS	DP	4369	S	4/4/2018	4/11/2018
607206	4VZAU1D90JC084861	2018	DS	DP	4369	S	1/17/2018	1/24/2018
607217	4VZAU1D98JC085255	2018	DS	DP	4369	S	4/2/2018	4/10/2018
607221	4VZAU1D92JC084988	2018	DS	DP	4369	S	2/13/2018	2/20/2018
607223	4VZAU1D96JC085089	2018	DS	DP	4326	S	3/15/2018	3/22/2018
607227	4VZAU1D94JC085074	2018	DS	DP	4362	S	3/5/2018	3/12/2018
607228	4VZAU1D94JC085088	2018	DS	DP	4362	S	3/12/2018	3/19/2018

Prod#	VIN Number	Year	Brand	Type	Floor	Chassis	Date In	Date Off
607230	4VZAU1D94JC084989	2018	DS	DP	4362	S	2/19/2018	2/26/2018
607244	4VZAU1D98JC085188	2018	DS	DP	4362	S	3/26/2018	4/3/2018
607245	4VZAU1D92JC085087	2018	DS	DP	4369	S	3/12/2018	3/20/2018
607246	4VZAU1D9XJC085189	2018	DS	DP	4362	S	3/26/2018	4/3/2018
607247	4VZAU1D94JC085012	2018	DS	DP	4310	S	2/28/2018	3/7/2018
607249	4VZAU1D9XJC085175	2018	DS	DP	4369	S	3/16/2018	3/23/2018
607254	4VZAU1D94JC085253	2018	DS	DP	4369	S	3/28/2018	4/5/2018
607260	4VZAU1D93JC085258	2018	DS	DP	4362	S	4/4/2018	4/12/2018
607261	4VZAU1D94JC084930	2018	DS	DP	4362	S	2/5/2018	2/13/2018
607263	4VZAU1D94JC085446	2018	DS	DP	4369	S	4/24/2018	5/1/2018
607279	4VZAU1D94JC085009	2018	DS	DP	4362	S	2/21/2018	2/28/2018
607281	4VZAU1D90JC085573	2018	DS	DP	4311	S	5/15/18	5/22/18
607284	4VZAU1D98JC085031	2018	DS	DP	4369	S	3/2/2018	3/9/2018
607291	4VZAU1D92JC085512	2018	DS	DP	4362	S	5/2/2018	5/11/18
607302	4VZAU1D9XJC085256	2018	DS	DP	4362	S	4/3/2018	4/10/2018
607306	4VZAU1D93JC085518	2018	DS	DP	4327	S	5/3/2018	5/11/18
607311	4VZAU1D99JC085376	2018	DS	DP	4327	S	4/9/2018	4/16/2018

Canadian Units

Prod#	VIN Number	Year	Brand	Type	Floor	Chassis	Date In	Date Off
606080	4VZAU1D93HC082449	2017	DS	DP	4369	S	7/15/2016	7/22/2016
606189	4VZAU1D9XHC082500	2017	DS	DP	4369	S	7/25/2016	8/1/2016
606325	4VZAU1D96HC083112	2017	DS	DP	4369	S	12/13/2016	12/21/2016
606344	4VZAU1D94HC083187	2017	DS	DP	4369	S	12/20/2016	1/12/2017
606429	4VZAU1D90HC083297	2017	DS	DP	4369	S	2/7/2017	2/14/2017
606457	4VZAU1D95HC083408	2017	DS	DP	4369	S	3/1/2017	3/9/2017
606593	4VZAU1D92JC082870	2018	DS	DP	4327	S	2/20/2017	2/28/2017
606716	4VZAU1D95JC083771	2018	DS	DP	4327	S	6/1/2017	6/9/2017
606717	4VZAU1D94JC084300	2018	DS	DP	4369	S	9/11/2017	9/19/2017
606751	4VZAU1D99JC083949	2018	DS	DP	4327	S	7/13/2017	7/21/2017
606752	4VZAU1D95JC083897	2018	DS	DP	4362	S	6/27/2017	7/13/2017
606753	4VZAU1D90JC083774	2018	DS	DP	4362	S	6/13/2017	6/21/2017
606799	4VZAU1D99JC084079	2018	DS	DP	4327	S	8/3/2017	8/11/2017
606800	4VZAU1D95JC084242	2018	DS	DP	4369	S	9/1/2017	9/12/2017
606844	4VZAU1D90JC084147	2018	DS	DP	4326	S	8/14/2017	8/22/2017
606950	4VZAU1D90JC084004	2018	DS	DP	4310	S	7/24/2017	8/1/2017
606970	4VZAU1D94JC084071	2018	DS	DP	4369	S	8/1/2017	8/9/2017
607003	4VZAU1D92JC084599	2018	DS	DP	4362	S	11/8/2017	11/16/2017
607052	4VZAU1D93JC085177	2018	DS	DP	4327	S	3/19/2018	3/26/2018
607168	4VZAU1D96JC085187	2018	DS	DP	4369	S	3/26/2018	4/3/2018
607292	4VZAU1D92JC085011	2018	DS	DP	4327	S	2/27/2018	3/7/2018