

# Dutch Star 2019

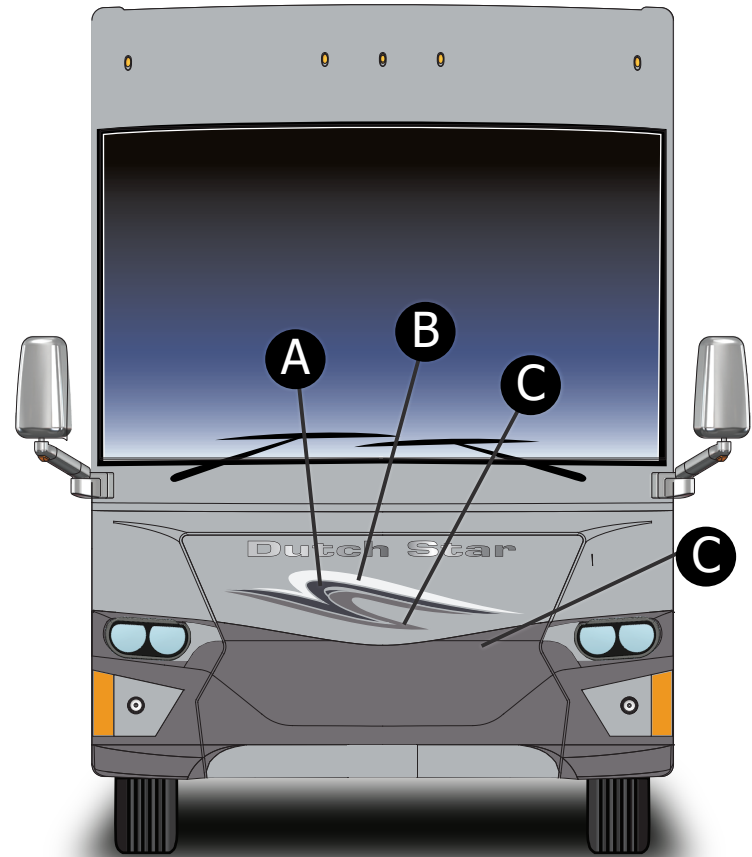
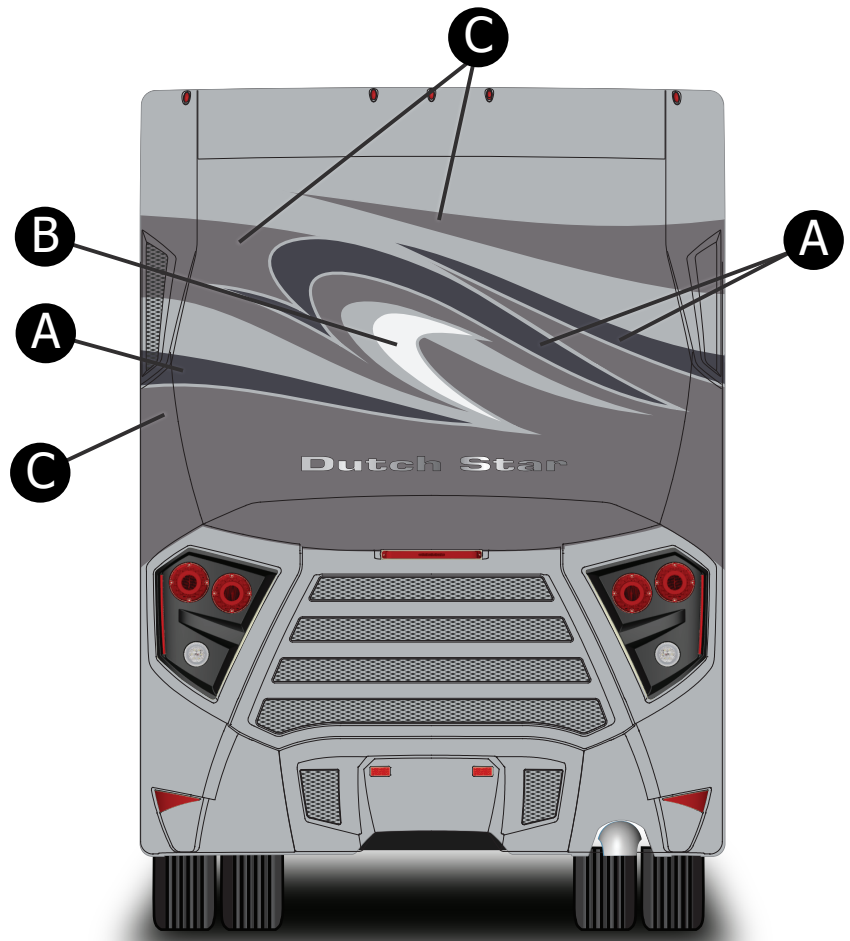
- SKIN: 62431 SILVER SHADOW PEARL
- A - 64047A THUNDER GREY MET.
- B - 1086B SIDEWALL WHITE
- C - 85670A NEWMAR SLATE MET.

UNIT: 607333  
 DEALER: Midway RV  
 SPECIAL: 121

**PLEASE ACKNOWLEDGE AND DATE THE FOLLOWING ORDER/PRINT FOR APPROVAL TO BUILD, AND FAX TO NEWMAR (AT 574-773-2895) AS SOON AS POSSIBLE**

DATE: \_\_\_\_\_

SIGN: \_\_\_\_\_



# Paint Code Formulas - BASF *Diamont*

## SPECIAL FOR UNIT 607333 - 2019 DUTCH STAR

SKIN: 62431	BASE #	BASE NAME	1 QT Grams	1 QUART Cum.	1 GLN Grams	1 GALLON Cum. Grams
SILVER SHADOW PEARL, SILVER SHADOW MET	UR50	UNIVERSAL MID TEMP REDUCER	79.95	79.95	319.8	319.8
	BC101	FLOP CONTROL	15.78	95.73	63.1	382.9
	BC140	MEDIUM FINE IRIDESCENT	113.33	209.05	453.3	836.2
	BC171	MEDIUM ALUMINUM	383.83	592.88	1535.3	2371.5
	BC260	SATIN BLACK	77.30	670.18	309.2	2680.7
	BC800	RED GOLD	10.58	680.75	42.3	2723.0
	CB64L	YELLOW PEARL	50.05	730.80	200.2	2923.2
	BC100	CLEAR	147.53	878.33	590.1	3513.3
COLOR A: 64047 (64047A)	BASE #	BASE NAME	1 QT Grams	1 QUART Cum.	1 GLN Grams	1 GALLON Cum. Grams
THUNDER GREY MET	UR50	UNIVERSAL MID TEMP REDUCER	80.63	80.63	322.5	322.5
	BC201	DEEP BLACK	263.23	343.85	1052.9	1375.4
	BC110	WHITE PEARL	201.08	544.93	804.3	2179.7
	BC250	BLUE BLACK	161.28	706.20	645.1	2824.8
	BC471	0	61.13	767.33	244.5	3069.3
	BC105	WHITE	47.05	814.38	188.2	3257.5
	BC101	FLOP CONTROL	36.40	850.78	145.6	3403.1
	BC300	CARBAZOLE VIOLET	31.78	882.55	127.1	3530.2
	BC800	RED GOLD	3.63	886.18	14.5	3544.7
COLOR B: 1086 (1086B)	BASE #	BASE NAME	1 QT Grams	1 QUART Cum.	1 GLN Grams	1 GALLON Cum. Grams
SIDEWALL WHITE	UR50	UNIVERSAL MID TEMP REDUCER	95.53	95.53	382.1	382.1
	BC194	HI HIDING WHITE	918.48	1014.00	3673.9	4056.0
	BC402LS	LOW STRENGTH PHTHALO BLUE	2.85	1016.85	11.4	4067.4
	BC605LS	LOW STRENGTH YELLOW OXIDE	14.20	1031.05	56.8	4124.2
	BC209	BLACK TONER	23.43	1054.48	93.7	4217.9
COLOR C: 85670 (85670A)	BASE #	BASE NAME	1 QT Grams	1 QUART Cum.	1 GLN Grams	1 GALLON Cum. Grams
SLATE MET	UR50	UNIVERSAL MID TEMP REDUCER	79.13	79.13	316.5	316.5
	BC171	MEDIUM ALUMINUM	413.85	492.98	1655.4	1971.9
	BC201	DEEP BLACK	212.13	705.10	848.5	2820.4
	BC105	WHITE	66.08	771.18	264.3	3084.7
	BC140	MEDIUM FINE IRIDESCENT	26.95	798.13	107.8	3192.5
	BC101	FLOP CONTROL	23.48	821.60	93.9	3286.4
	BC406	PHTHALO BLUE	20.88	842.48	83.5	3369.9
	BC880	VIOLET	13.05	855.53	52.2	3422.1
	BC300	CARBAZOLE VIOLET	11.30	866.83	45.2	3467.3
	BC510	YELLOW GREEN	2.60	869.43	10.4	3477.7

# Paint Code Formulas - BASF Onyx Waterborne

## SPECIAL FOR UNIT 607333 - 2019 DUTCH STAR

<b>SKIN:</b> 62431	<b>BASE #</b>	<b>BASE NAME</b>	<b>1 QT</b>	<b>1 QUART</b>	<b>1 GLN</b>	<b>1 GALLON</b>
SILVER SHADOW PEARL, SILVER SHADOW MET	HB002	HYDRO BASE	634.20	634.20	2536.8	2536.8
	HB64L	GOLD PEARL	94.57	728.78	378.3	2915.1
	HB110	ULTRA FINE ALUMINUM	87.90	816.68	351.6	3266.7
	HB120	FINE ALUMINUM	50.08	866.75	200.3	3467.0
	HB260	SATIN BLACK	37.80	904.55	151.2	3618.2
	HB150	MEDIUM ALUMINUM	14.45	919.00	57.8	3676.0
	HB780	RED GOLD	5.60	924.60	22.4	3698.4
	HB090	FLOP CONTROL	46.75	971.35	187.0	3885.4
<b>COLOR A:</b> 64047	<b>BASE #</b>	<b>BASE NAME</b>	<b>1 QT</b>	<b>1 QUART</b>	<b>1 GLN</b>	<b>1 GALLON</b>
THUNDER GREY MET						
<b>COLOR B:</b> 1086 (1086B)	<b>BASE #</b>	<b>BASE NAME</b>	<b>1 QT</b>	<b>1 QUART</b>	<b>1 GLN</b>	<b>1 GALLON</b>
SIDEWALL WHITE	HB002	HYDRO BASE	488.00	488.00	1952.0	1952.0
	HB990	WHITE	625.53	1113.53	2502.1	4454.1
	HB259	LOW STRENGTH BLACK	40.95	1154.48	163.8	4617.9
	HB619	LIGHT YELLOW	24.10	1178.58	96.4	4714.3
<b>COLOR C:</b> 85670	<b>BASE #</b>	<b>BASE NAME</b>	<b>1 QT</b>	<b>1 QUART</b>	<b>1 GLN</b>	<b>1 GALLON</b>
SLATE MET	HB002	HYDRO BASE	652.05	652.05	2608.2	2608.2
	HB203	DEEP BLACK	95.85	747.90	383.4	2991.6
	HB130	FINE ALUMINUM	76.25	824.15	305.0	3296.6
	HB140	MEDIUM ALUMINUM	55.65	879.80	222.6	3519.2
	HB200	BLUE BLACK	49.45	929.25	197.8	3717.0
	HB444	BLUE	16.53	945.78	66.1	3783.1
	HB840	RED	15.45	961.23	61.8	3844.9