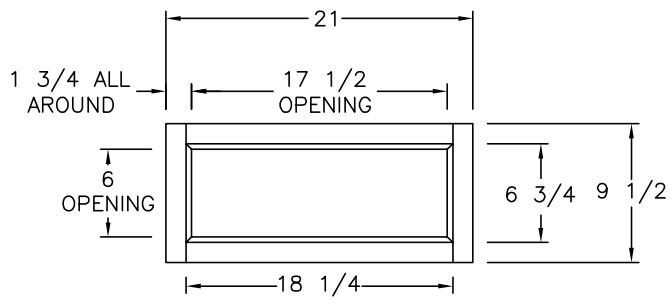
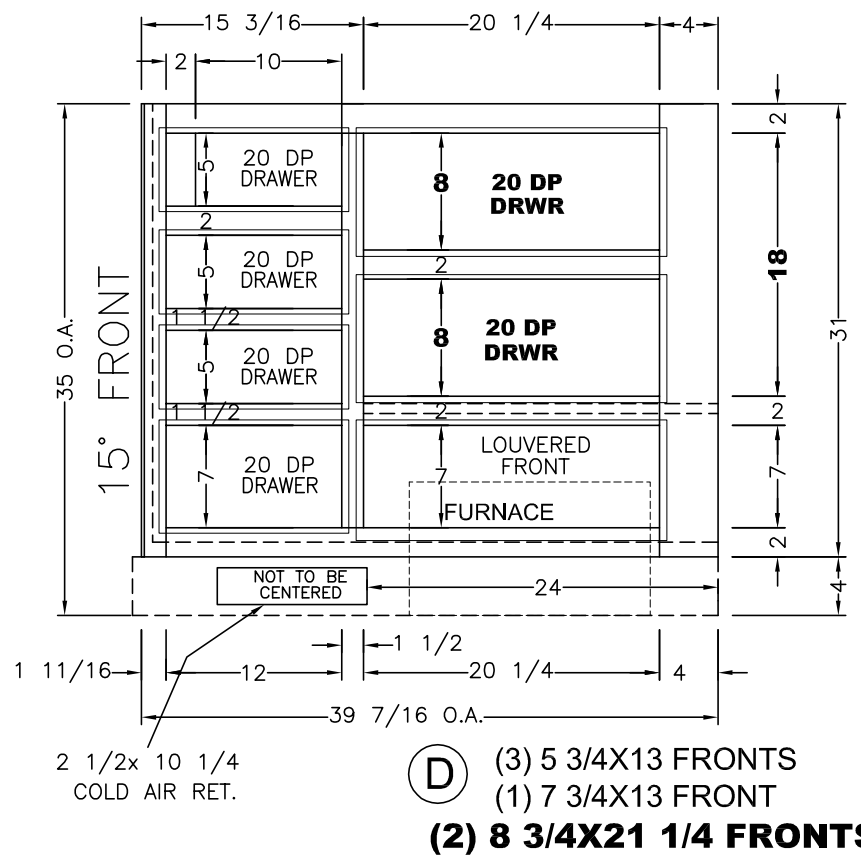
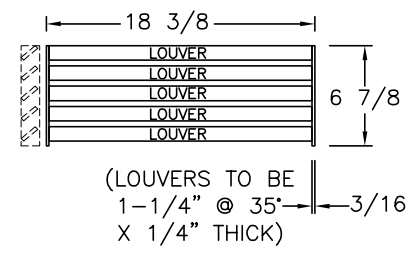
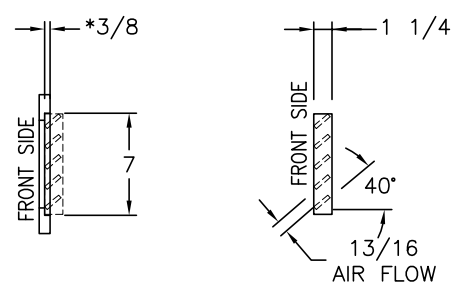


ITEM #	OPTION	NEWMAR #	DESCRIPTION
1	STD	115215	27x16 STAINLESS STEEL (1317SSD2717)
2	STD	89546	6 GALLON ATWOOD WATER HEATER (96160)
3	STD	114922	SLIMLINE SUB-WOOFER
4	STD	131163	SUBURBAN 40K FURNACE

PLEASE ACKNOWLEDGE AND DATE THE FOLLOWING ORDER/PRINT FOR APPROVAL TO BUILD, AND FAX TO NEWMAR (AT 574-773-2895) AS SOON AS POSSIBLE
 DATE: _____
 SIGN: _____



(1) 21 X 9 1/2
 LOUVERED DOOR
 FASTENED W./CATCHES
 62" SQ. R.A.



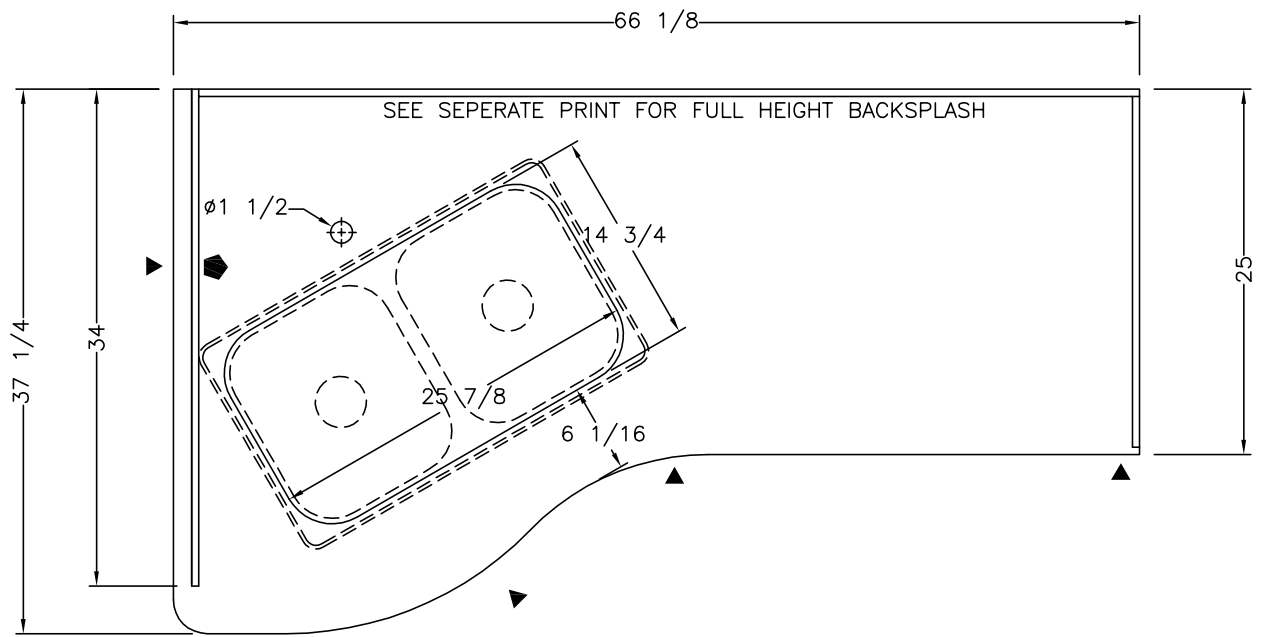
* = 3/8x1/2 ROUTED LIP AROUND INSIDE EDGE OF FRAME.

88 SQ. IN. R/A MINIMUM (40K FURNACE)
 94 SQ. IN. R/A PROVIDED

UNIT: # 111984
 DEALER: Wilkens RV
 SPECIAL: # 698

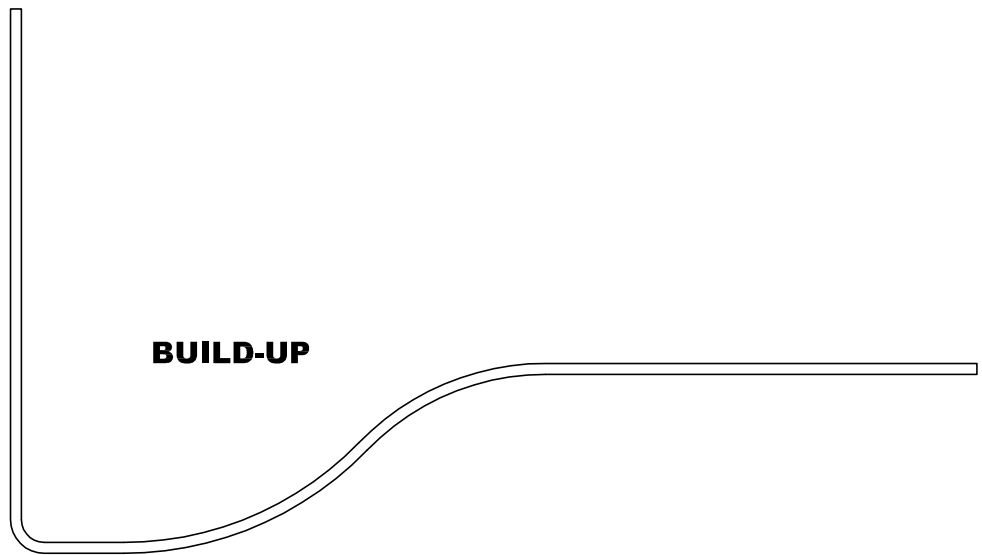
NEWMAR CORP P.O. Box 30, Nappanee, IN. 46550	Model:	Sheet	Drawn by:	Checked by:	Revision:	By:
	BS CA 3401	1 OF 2	Z. R.	A. M.		Date:
Title block--1TB	Title:	I.D. # 2016\	Date:	Date:	Revision:	By:
	65 1/8 KIT BASE	SPECIALS\MOT\	9/3/15	9/4/15		Date:
		698KT				

PLEASE ACKNOWLEDGE AND DATE THE FOLLOWING ORDER/PRINT FOR APPROVAL TO BUILD, AND FAX TO NEWMAR (AT 574-773-2895) AS SOON AS POSSIBLE
 DATE: _____
 SIGN: _____



TOP VIEW

- ▶ - DENOTES A FINISHED EDGE
- ◆ - DENOTES A 2" BACKSPLASH



UNIT: # 111984
 DEALER: Wilkens RV
 SPECIAL: # 698

1/2" SOLID SURFACE
SEE TYPICAL PRINT FOR COUNTER TOP APPLICATION

NEWMAR CORP P.O. Box 30, Nappanee, IN. 46550	Model:	Sheet	Drawn by:	Checked by:	Revision:	By:
	BS CA 3401	2 OF 2	Z. R.	A. M.		Date:
Title block--1TB	Title:	I.D. # 2016\ SPECIALS\MOT\ 698KT	Date:	Date:	Revision:	By:
	65 1/8 KIT BASE		9/3/15	9/4/15		Date: