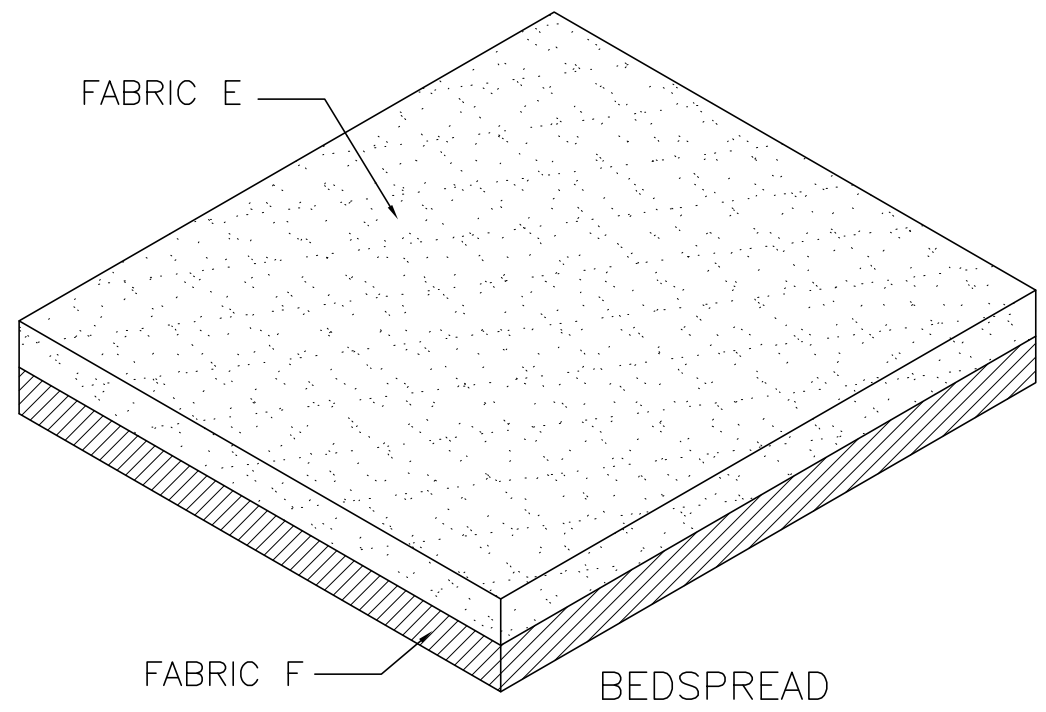
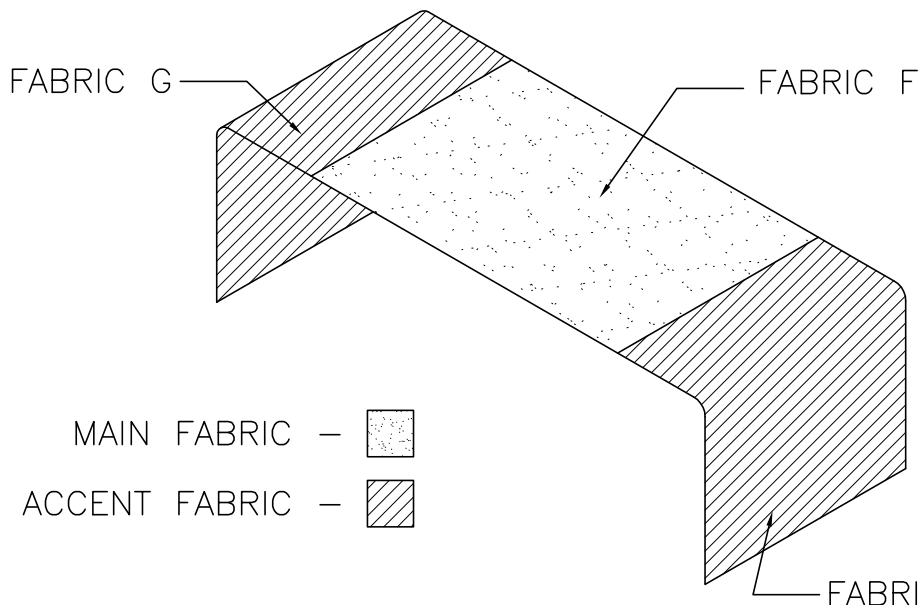


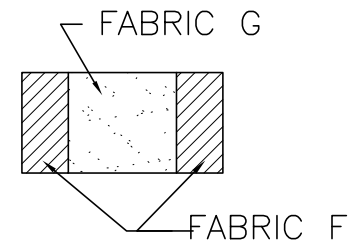
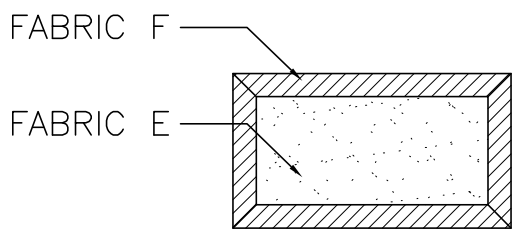
FABRIC LETTER	DECOR' NUMBER	DESCRIPTION
FABRIC "E"	BS18-420 "E"	ALESSIO 222 (DAMASK) ONYX
FABRIC "F"	BS18-420 "F"	G2625 CHARTA CO:18 NIGHT
FABRIC "G"	BS18-420 "G"	G2625 CHARTA CO:16 VIRIDIAN GRAY



MAIN FABRIC —   
 ACCENT FABRIC — 

BED SCARF

BEDSPREAD



SHAM

BED PILLOW

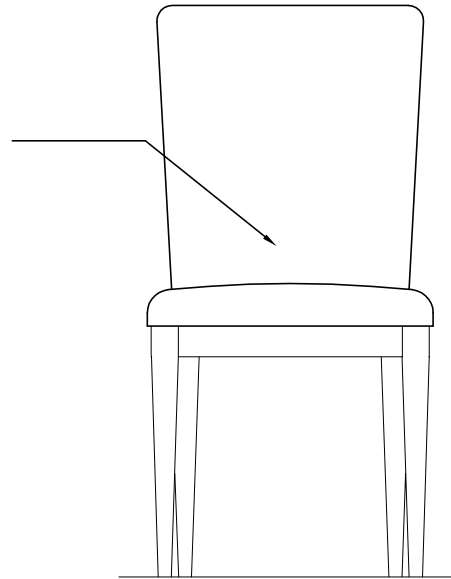
UNIT: # 113072  
 DEALER: North Trail RV  
 SPECIAL: # 1493

NOTE: GENERAL VISUAL REPRESENTATION OF INTERIOR COMPONENTS. NOT FOR DIMENSIONAL USE.

<b>NEWMAR CORP</b> P.O. Box 30, Nappanee, IN. 46550	Model: BS CA 3009	Sheet 1 OF 1	Drawn by: Z. R.	Checked by: A. M.	Revision:	By:
	Title: FABRIC CALL OUTS BEDROOM	I.D. # 2018\ SPECIALS\MOT\ 1493FAB	Date: 10/3/17	Date: 10/4/17	Revision:	By:
UNITS: INCHES						Date:
TITLE BLOCK: 1-5TB						Date:

FABRIC LETTER	DECOR' NUMBER	DESCRIPTION
FABRIC "C"	BS18-420 "C"	SUTRA DOMINO-9

FABRIC C



DINETTE CHAIR

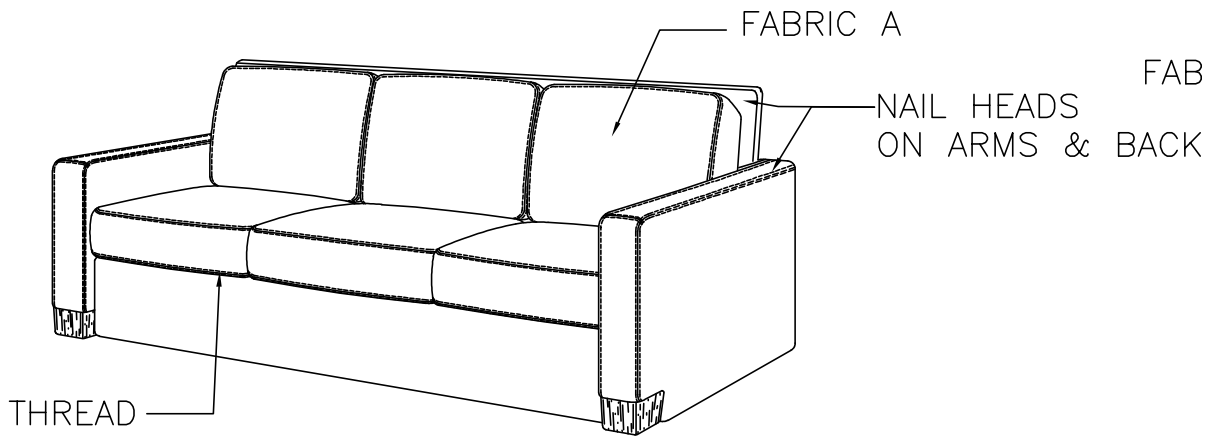
UNIT: # 113072  
 DEALER: North Trail RV  
 SPECIAL: # 1493

NOTE: GENERAL VISUAL REPRESENTATION OF INTERIOR COMPONENTS. NOT FOR DIMENSIONAL USE.

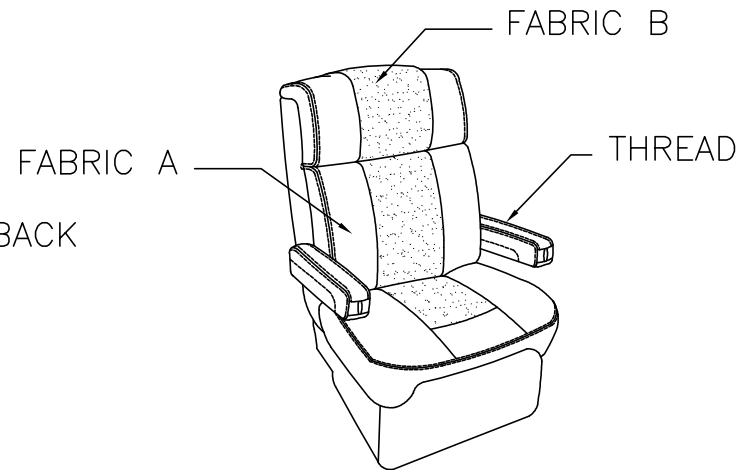
4

<b>NEWMAR CORP</b> P.O. Box 30, Nappanee, IN. 46550	Model:	Sheet	Drawn by:	Checked by:	Revision:	By:
	BS CA 3009	1 OF 1	Z. R.	A. M.		Date:
UNITS: INCHES	Title: FABRIC CALL OUTS	I.D. # 2018\	Date:	Date:	Revision:	By:
TITLE BLOCK: 1-5TB	DINETTE CHAIR	SPECIALS\MOT\ 1493FAB	10/3/17	10/4/17		Date:

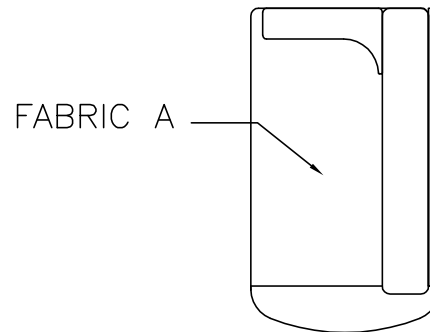
FABRIC LETTER	DECOR' NUMBER	DESCRIPTION
FABRIC "A"	<b>BS18-410 "A"</b>	ALLISON CASHMERE
FABRIC "B"	BS18-420 "B"	ALLISON FOG
"THREAD"	BS18-420 "THREAD"	SILVER



SOFA/FURNITURE



DRIVER/PASSENGER



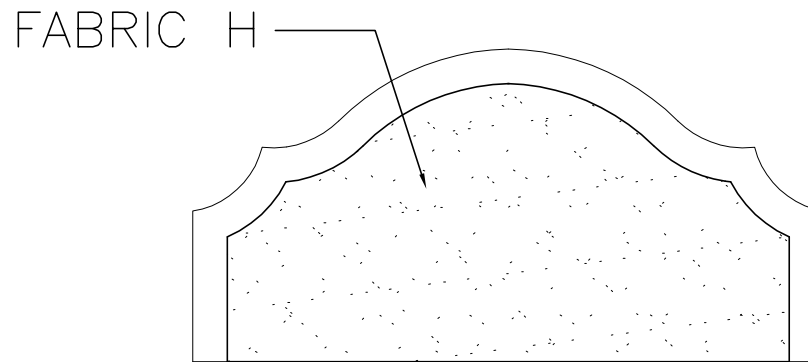
DINETTE

UNIT: # 113072  
 DEALER: North Trail RV  
 SPECIAL: # 1493

NOTE: GENERAL VISUAL REPRESENTATION OF INTERIOR COMPONENTS. NOT FOR DIMENSIONAL USE.

<b>NEWMAR CORP</b> P.O. Box 30, Nappanee, IN. 46550	Model: BS CA 3009	Sheet 1 OF 1	Drawn by: Z. R.	Checked by: A. M.	Revision:	By:
	Title: FABRIC CALL OUTS FURNITURE	I.D. # 2018\ SPECIALS\MOT\ 1493FAB	Date: 10/3/17	Date: 10/4/17	Revision:	By:
UNITS: INCHES						Date:
TITLE BLOCK: 1-5TB						Date:

FABRIC LETTER	DECOR' NUMBER	DESCRIPTION
FABRIC "H"	BS18-420 "H"	LUXURIA-BLACK



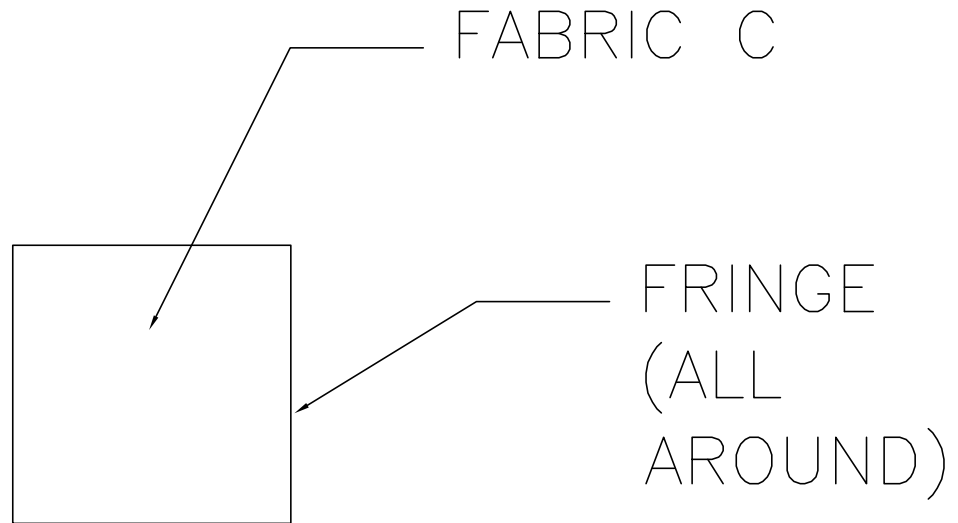
HEADBOARD

UNIT: # 113072  
 DEALER: North Trail RV  
 SPECIAL: # 1493

NOTE: GENERAL VISUAL REPRESENTATION OF INTERIOR COMPONENTS. NOT FOR DIMENSIONAL USE.

<b>NEWMAR CORP</b> P.O. Box 30, Nappanee, IN. 46550	Model:	Sheet	Drawn by:	Checked by:	Revision:	By:
	BS CA 3009	1 OF 1	Z. R.	A. M.		Date:
UNITS: INCHES	Title: FABRIC CALL OUTS HEADBOARD	I.D. # 2018\ SPECIALS\MOT\ 1493FAB	Date:	Date:	Revision:	By:
TITLE BLOCK: 1-5TB			10/3/17	10/4/17		Date:

FABRIC LETTER	DECOR' NUMBER	DESCRIPTION
FABRIC "C"	BS18-420 "C"	SUTRA DOMINO-9
FRINGE	BS18-420 "FRINGE"	FRB06403-01-MONTEGO



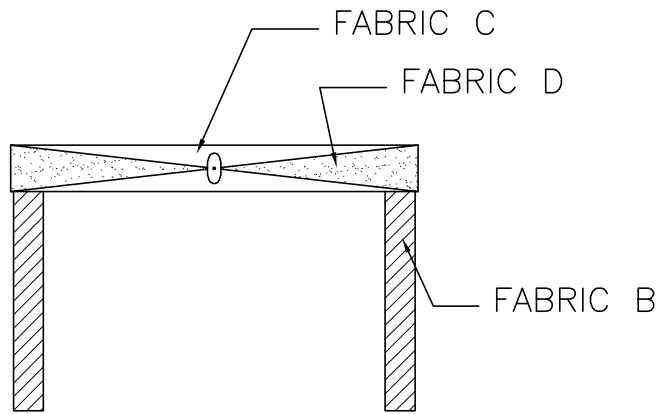
SOFA PILLOW

UNIT: # 113072  
 DEALER: North Trail RV  
 SPECIAL: # 1493

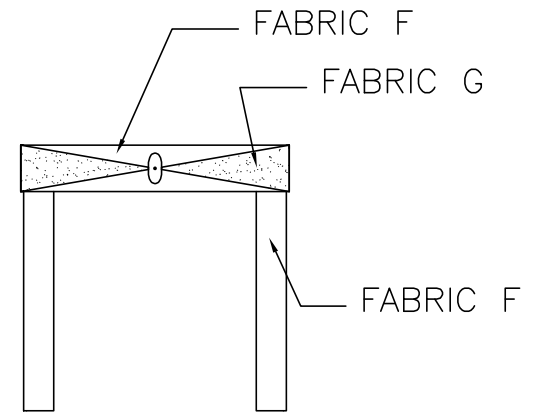
NOTE: GENERAL VISUAL REPRESENTATION OF INTERIOR COMPONENTS. NOT FOR DIMENSIONAL USE.

<b>NEWMAR CORP</b> P.O. Box 30, Nappanee, IN. 46550	Model:	Sheet	Drawn by:	Checked by:	Revision:	By:
	BS CA 3009	1 OF 1	Z. R.	A. M.		Date:
UNITS: INCHES	Title: FABRIC CALL OUTS	I.D. # 2018\ SPECIALS\MOT\ 1493FAB	Date:	Date:	Revision:	By:
TITLE BLOCK: 1-5TB	SOFA PILLOW		10/3/17	10/4/17		Date:

FABRIC LETTER	DECOR' NUMBER	DESCRIPTION
FABRIC "B"	BS18-420 "B"	ALLISON FOG
FABRIC "C"	BS18-420 "C"	SUTRA DOMINO-9
FABRIC "D"	BS18-420 "D"	WESTERN SILVER
FABRIC "F"	BS18-420 "F"	G2625 CHARTA CO:18 NIGHT
FABRIC "G"	BS18-420 "G"	G2625 CHARTA CO:16 VIRIDIAN GRAY



LIVINGROOM/KITCHEN



BEDROOM/BATHROOM

MAIN FABRIC — 

ACCENT FABRIC (#1) — 

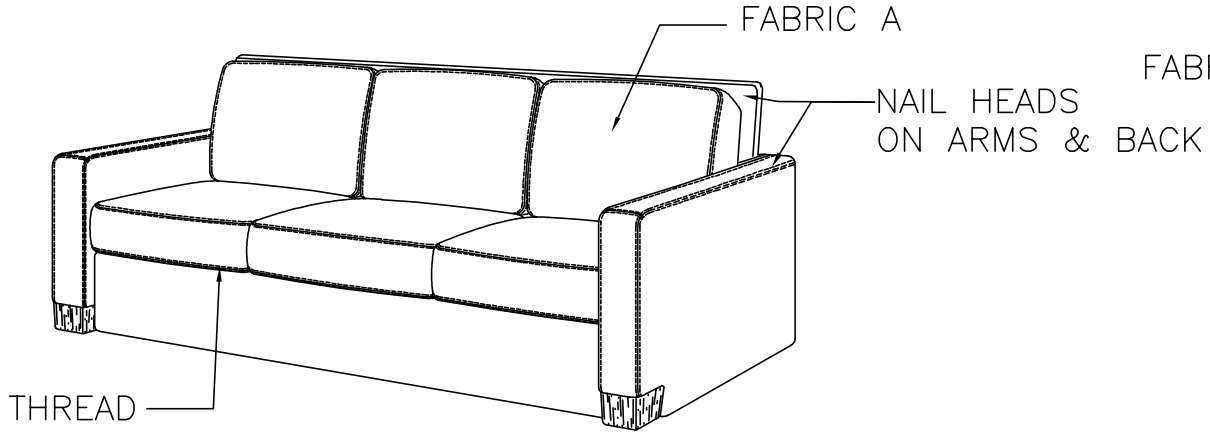
ACCENT FABRIC (#2) — 

UNIT: # 113072  
 DEALER: North Trail RV  
 SPECIAL: # 1493

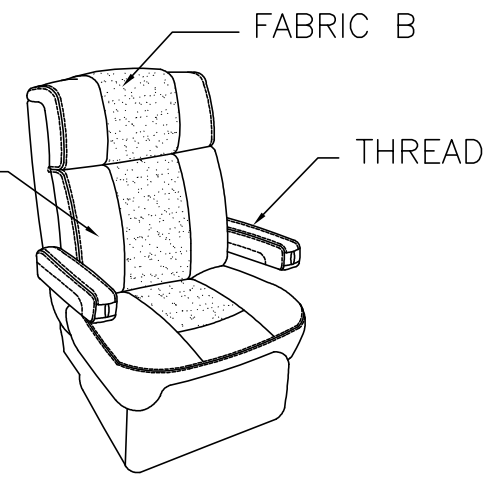
NOTE: GENERAL VISUAL REPRESENTATION OF INTERIOR COMPONENTS. NOT FOR DIMENSIONAL USE.

<b>NEWMAR CORP</b> P.O. Box 30, Nappanee, IN. 46550	Model:	Sheet	Drawn by:	Checked by:	Revision:	By:
	BS CA 3009	1 OF 1	Z. R.	A. M.		Date:
UNITS: INCHES	Title: FABRIC CALL OUTS WINDOW TREATMENTS	I.D. # 2018\ SPECIALS\MOT\ 1493FAB	Date:	Date:	Revision:	By:
TITLE BLOCK: 1-5TB			10/3/17	10/4/17		Date:

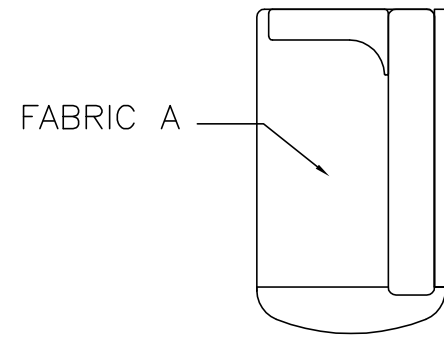
FABRIC LETTER	DECOR' NUMBER	DESCRIPTION
FABRIC "A"	<b>BS18-410 "A"</b>	<i>ALLISON CASHMERE</i>
FABRIC "B"	<i>BS18-420 "B"</i>	<i>ALLISON FOG</i>
"THREAD"	<i>BS18-420 "THREAD"</i>	<i>SILVER</i>



SOFA/FURNITURE



DRIVER/PASSENGER



DINETTE

PLEASE ACKNOWLEDGE AND DATE THE FOLLOWING ORDER/PRINT FOR APPROVAL TO BUILD, AND FAX TO NEWMAR (AT 574-773-2895) AS SOON AS POSSIBLE  
 DATE: \_\_\_\_\_  
 SIGN: \_\_\_\_\_

UNIT: # 113072  
 DEALER: North Trail RV  
 SPECIAL: # 1493

NOTE: GENERAL VISUAL REPRESENTATION OF INTERIOR COMPONENTS. NOT FOR DIMENSIONAL USE.

<b>NEWMAR CORP</b> P.O. Box 30, Nappanee, IN. 46550	Model: BS CA 3009	Sheet 1 OF 1	Drawn by: Z. R.	Checked by: A. M.	Revision:	By:
	Title: FABRIC CALL OUTS FURNITURE	I.D. # 2018\ SPECIALS\MOT\ 1493FAB	Date: 10/3/17	Date: 10/4/17	Revision:	By:
UNITS: INCHES						Date:
TITLE BLOCK: 1-5TB						Date: