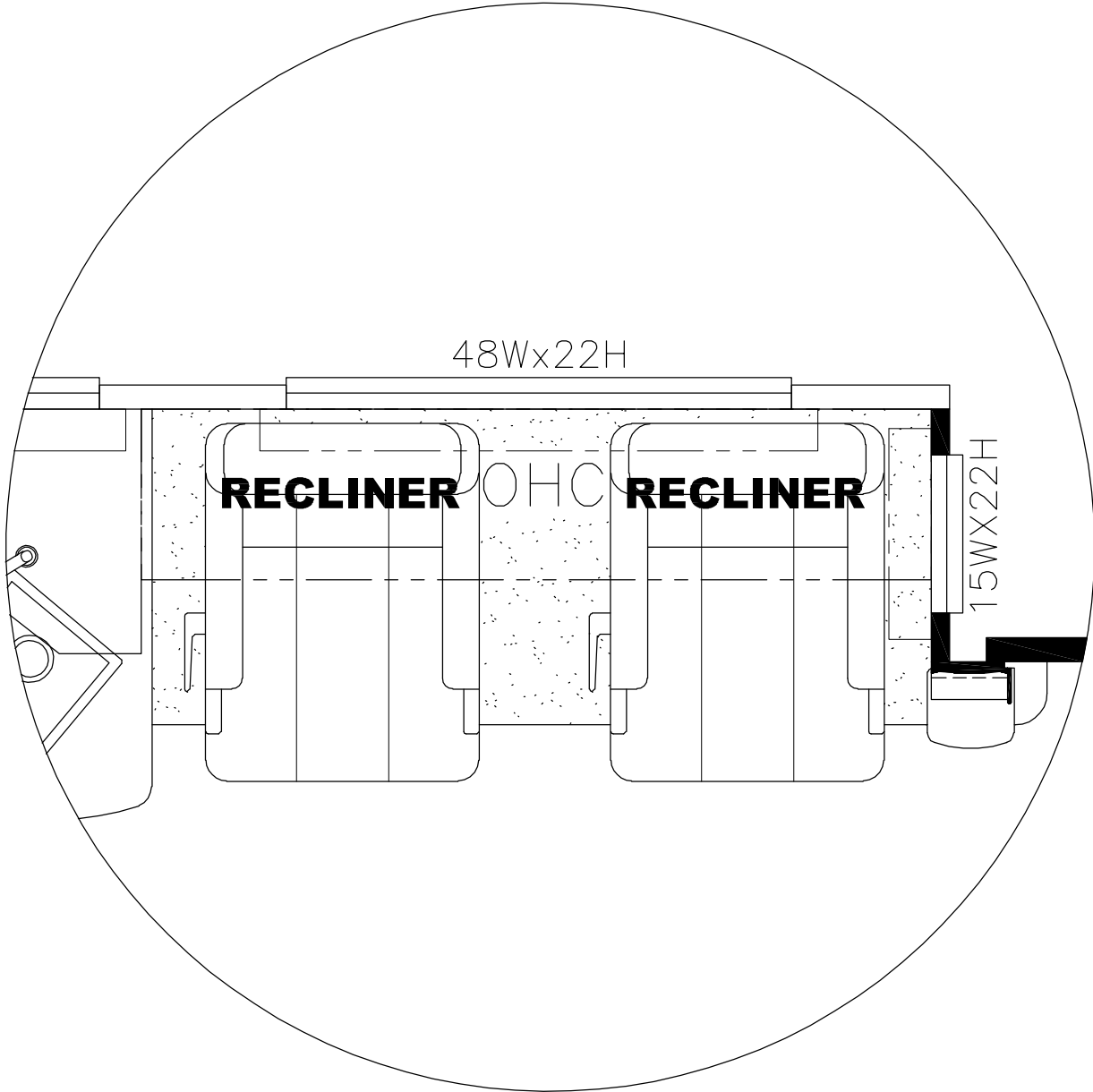


PLEASE ACKNOWLEDGE AND DATE THE FOLLOWING ORDER/PRINT FOR APPROVAL TO BUILD, AND FAX TO NEWMAR (AT 574-773-2895) AS SOON AS POSSIBLE

DATE: \_\_\_\_\_

SIGN: \_\_\_\_\_



UNIT: # 114450  
 DEALER: Guaranty RV  
 SPECIAL: # 140

<b>NEWMAR CORP</b> P.O. Box 30, Nappanee, IN. 46550 UNITS: INCHES TITLE BLOCK: 3125TB	Model:	Sheet	Drawn by:	Checked by:	Revision:	By:
	BS CA 3312	1 OF 1	R. N.	Z. R.		Date:
	Title:	I.D. # 2020\	Date:	Date:	Revision:	By:
	FLOOR PLAN	SPECIALS\MOT\ 140FP	10/17/19	10/22/19		Date: