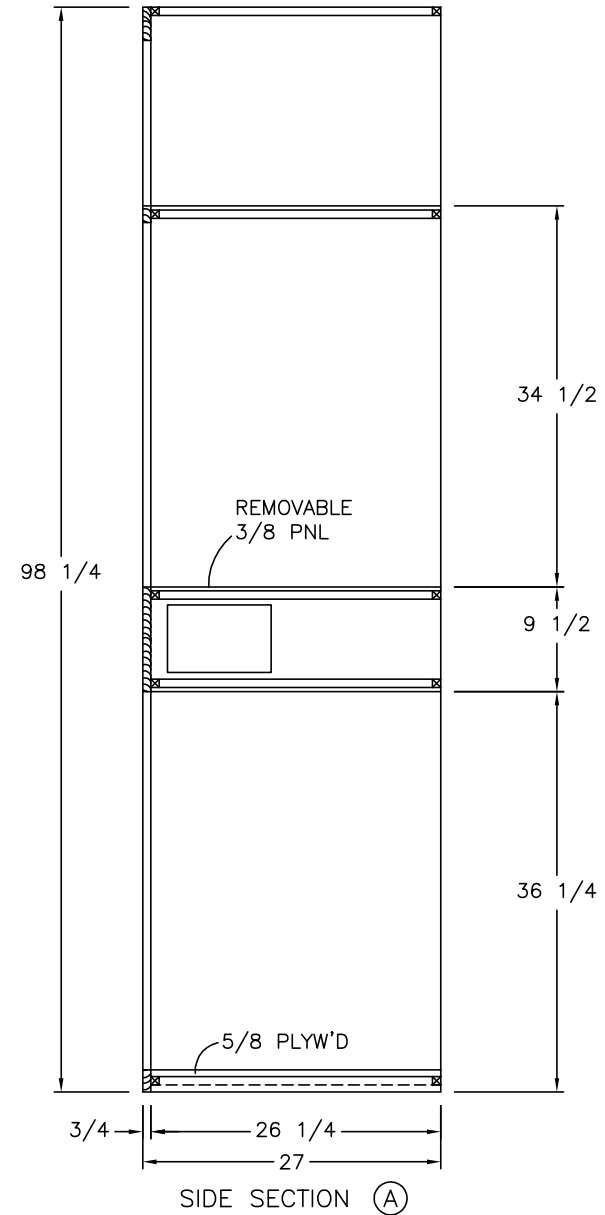
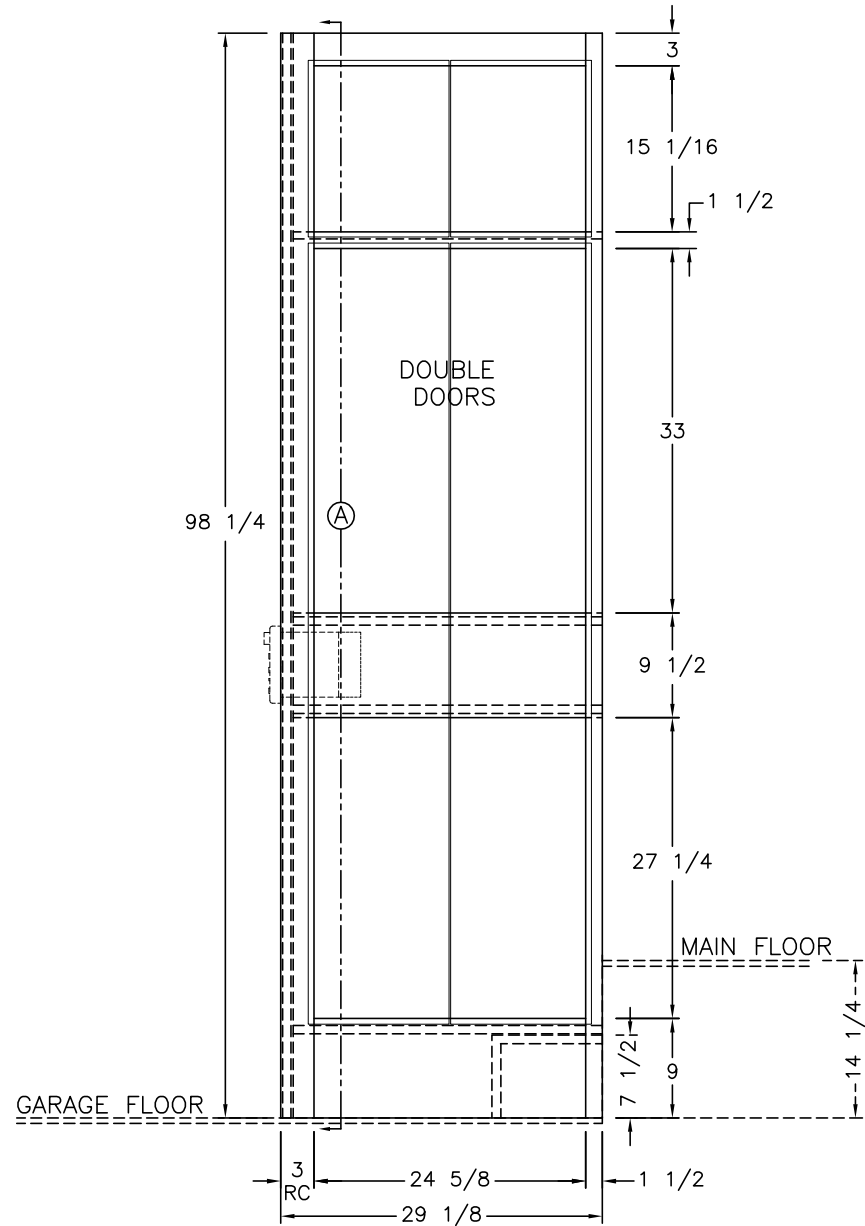
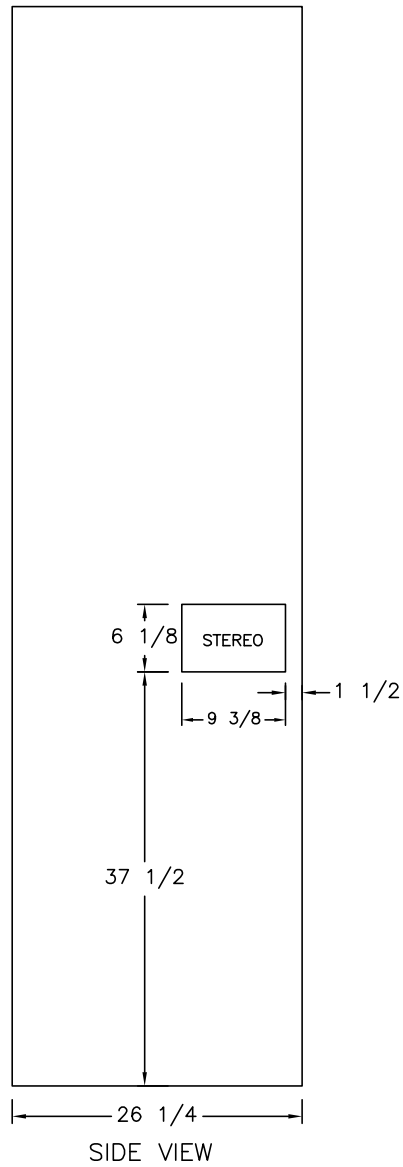


ITEM #	QTY	NEWMAR #	DESCRIPTION
1	1	133896	JENSEN AM/FM/CD



PLEASE ACKNOWLEDGE AND DATE THE FOLLOWING ORDER/PRINT FOR APPROVAL TO BUILD, AND FAX TO NEWMAR (AT 574-773-2895) AS SOON AS POSSIBLE

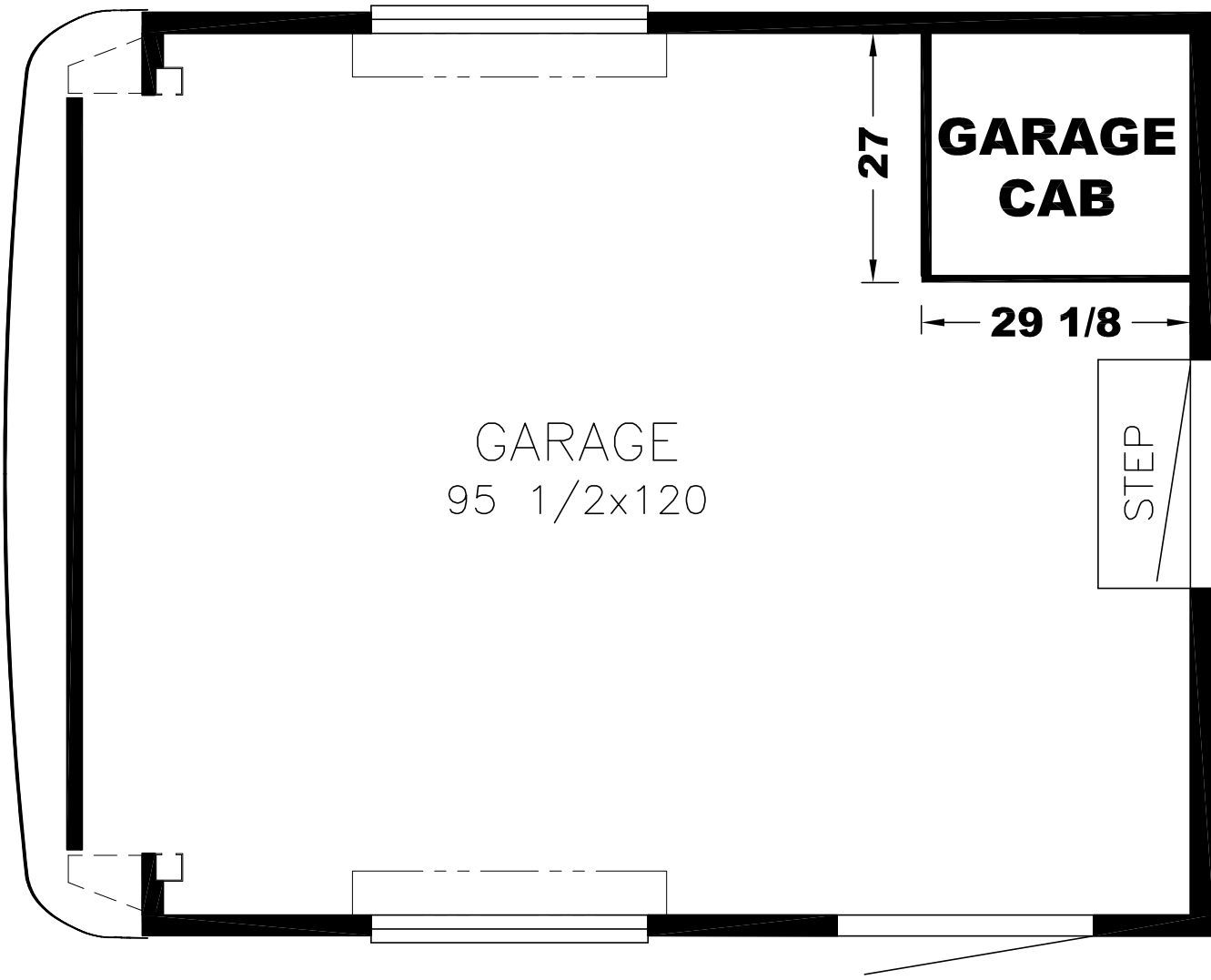
DATE: _____
SIGN: _____

UNIT: # 161839
DEALER: Independence RV
SPECIAL: # 1199

(2) 12 3/4x16 DOORS
(2) 12 3/4x70 3/4 DOORS

NEWMAR CORP P.O. Box 30, Nappanee, IN. 46550 UNITS: INCHES TITLE BLOCK: 1TB	Model:	Sheet	Drawn by:	Checked by:	Revision:	By:
	CS CA 3921	1 OF 1	Z. R.	A. M.		Date:
	Title:	I.D. # 2016\	Date:	Date:	Revision:	By:
	GARAGE CABINET	SPECIALS\MOT\ 1199CAB	12/15/15	12/15/15		Date:

PLEASE ACKNOWLEDGE AND DATE THE FOLLOWING ORDER/PRINT FOR APPROVAL TO BUILD, AND FAX TO NEWMAR (AT 574-773-2895) AS SOON AS POSSIBLE
 DATE: _____
 SIGN: _____



UNIT: # 161839
 DEALER: Independence RV
 SPECIAL: # 1199

NEWMAR CORP P.O. Box 30, Nappanee, IN. 46550	Model:	Sheet	Drawn by:	Checked by:	Revision:	By:
	CS CA 3921	1 OF 1	Z. R.	A. M.		Date:
UNITS: INCHES	Title:	I.D. # 2016\ SPECIALS\MOT\ 1199FP	Date:	Date:	Revision:	By:
TITLE BLOCK: 3125TB	FLOOR PLAN		12/15/15	12/15/15		Date: