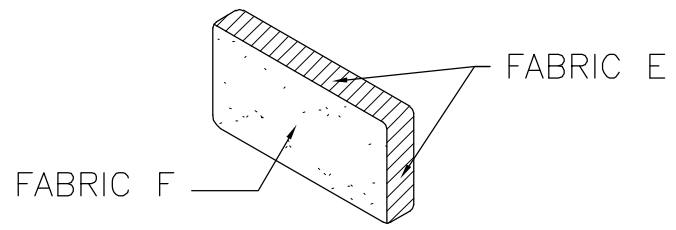
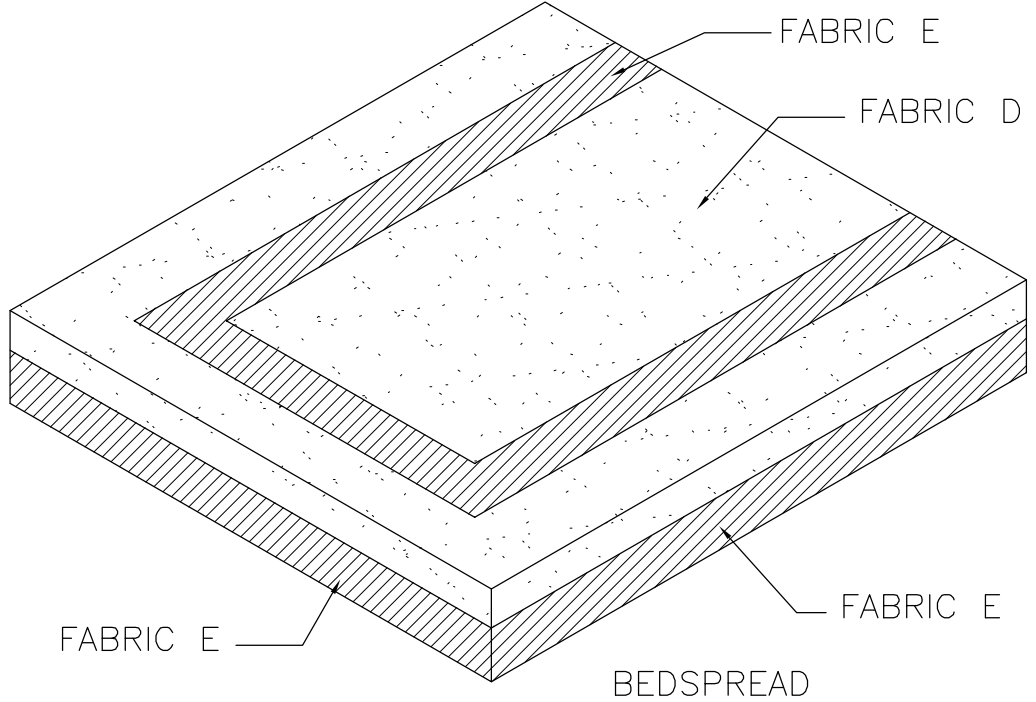
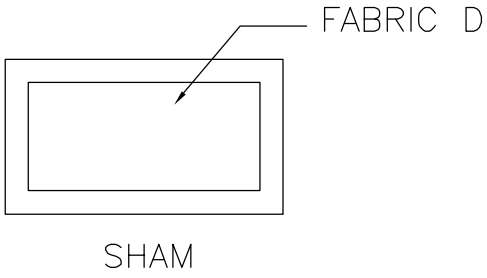


FABRIC LETTER	DECOR' NUMBER	DESCRIPTION
FABRIC "D"	CS20-400 "D"	RIPPLE DRIFTWOOD
FABRIC "E"	CS20-400 "E"	TOPAZ 902
FABRIC "F"	CS20-400 "F"	SUNSHINE BEACH DUNE

MAIN FABRIC — 

ACCENT FABRIC — 



UNIT: # 162611
 DEALER: National Indoor RV
 SPECIAL: # 535

BED PILLOW

NOTE: GENERAL VISUAL REPRESENTATION OF INTERIOR COMPONENTS. NOT FOR DIMENSIONAL USE.

NEWMAR CORP P.O. Box 30, Nappanee, IN. 46550	Model:	Sheet	Drawn by:	Checked by:	Revision:	By:
	CS CA 3927	1 OF 1	R. N.	Z. R.		Date:
UNITS: INCHES	Title: FABRIC CALL OUTS BEDROOM	I.D. # 2020\ SPECIALS\MOT\ 535FAB	Date:	Date:	Revision:	By:
TITLE BLOCK: 1-5TB			9/13/19	9/16/19		Date:

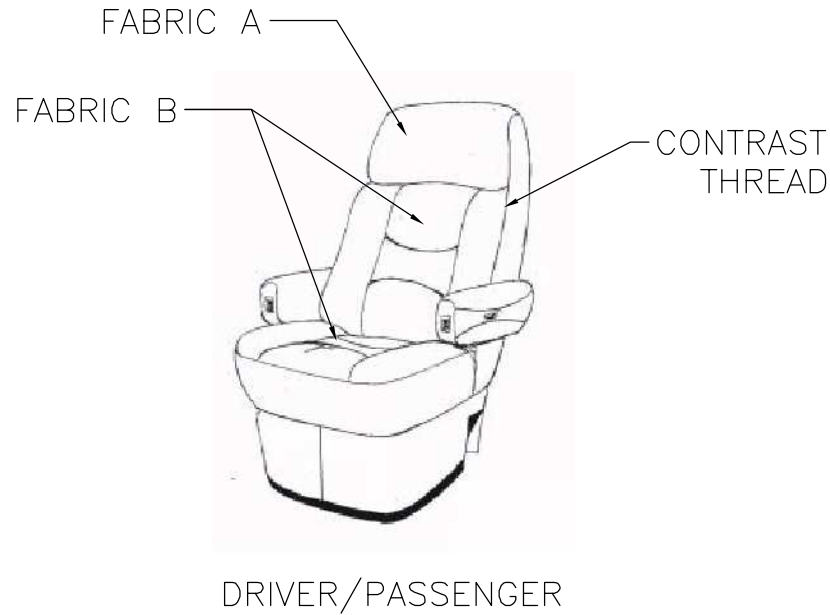
UNIT: # 162611
 DEALER: National Indoor RV
 SPECIAL: # 535

NOTE: GENERAL VISUAL REPRESENTATION OF INTERIOR COMPONENTS. NOT FOR DIMENSIONAL USE.

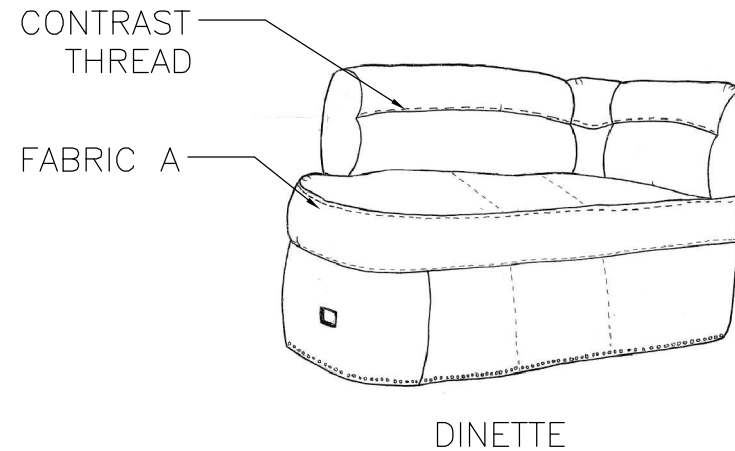
NEWMAR CORP P.O. Box 30, Nappanee, IN. 46550	Model:	Sheet	Drawn by:	Checked by:	Revision:	By:
	CS CA 3927	1 OF 1	R. N.	Z. R.		Date:
UNITS: INCHES	Title: FABRIC CALL OUTS	I.D. # 2020\	Date:	Date:	Revision:	By:
TITLE BLOCK: 1-5TB	DINETTES W/CHAIRS	SPECIALS\MOT\ 535FAB	9/13/19	9/16/19		Date:

FABRIC LETTER	DECOR' NUMBER	DESCRIPTION
FABRIC "A"	CS20-400 "A"	OPTIMA LEATHER II-NATURAL
FABRIC "B"	CS20-400 "B"	OPTIMA LEATHER II-MUSK
THREAD	CS20-400 "THREAD"	25778 GREY BOBBIN

DINETTE		
FABRIC LETTER	DECOR' NUMBER	DESCRIPTION
FABRIC "A"	CS20-400 "A"	OPTIMA LEATHER II-NATURAL
THREAD	CS20-400 "THREAD"	25778 GREY BOBBIN



OMIT NAIL HEAD TRIM ON FURNITURE



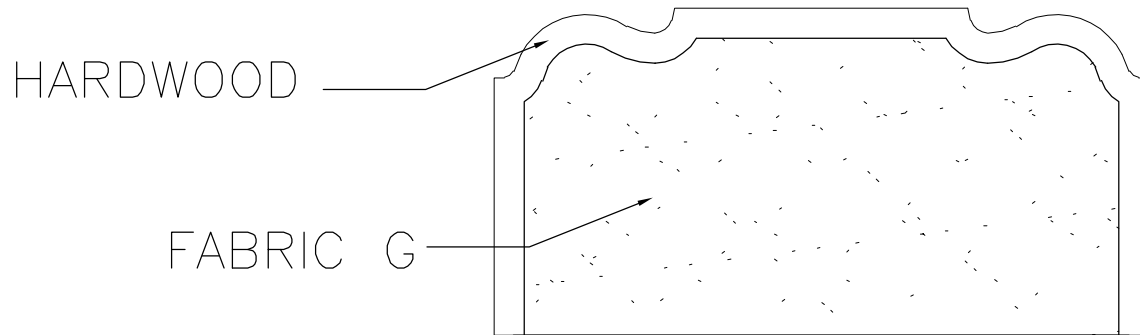
UNIT: # 162611
 DEALER: National Indoor RV
 SPECIAL: # 535

NOTE: GENERAL VISUAL REPRESENTATION OF INTERIOR COMPONENTS. NOT FOR DIMENSIONAL USE.

1

NEWMAR CORP P.O. Box 30, Nappanee, IN. 46550	Model:	Sheet	Drawn by:	Checked by:	Revision:	By:
	CS CA 3927	1 OF 1	R. N.	Z. R.		Date:
UNITS: INCHES	Title: FABRIC CALL OUTS	I.D. # 2020\	Date:	Date:	Revision:	By:
TITLE BLOCK: 1-5TB	DRIVER/PASSENGER SEATS	SPECIALS\MOT\ 535FAB	9/13/19	9/16/19		Date:

FABRIC LETTER	DECOR NUMBER	DESCRIPTION
FABRIC "G"	CS20-400 "G"	UPSCALE MALT



HEADBOARD

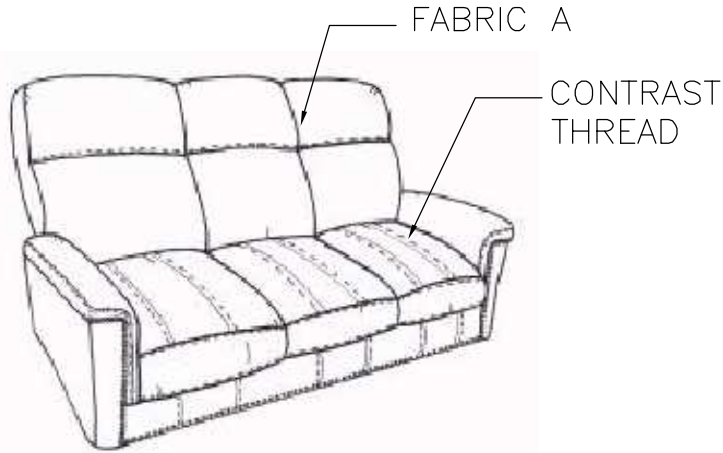
UNIT: # 162611
 DEALER: National Indoor RV
 SPECIAL: # 535

NOTE: GENERAL VISUAL REPRESENTATION OF INTERIOR COMPONENTS. NOT FOR DIMENSIONAL USE.

NEWMAR CORP P.O. Box 30, Nappanee, IN. 46550	Model:	Sheet	Drawn by:	Checked by:	Revision:	By:
	CS CA 3927	1 OF 1	R. N.	Z. R.		Date:
UNITS: INCHES	Title: FABRIC CALL OUTS HEADBOARD	I.D. # 2020\ SPECIALS\MOT\ 535FAB	Date:	Date:	Revision:	By:
TITLE BLOCK: 1-5TB			9/13/19	9/16/19		Date:

<i>FABRIC LETTER</i>	<i>DECOR' NUMBER</i>	<i>DESCRIPTION</i>
FABRIC "A"	CS20-400 "A"	OPTIMA LEATHER II-NATURAL
<i>THREAD</i>	CS20-400 "THREAD"	25778 GREY BOBBIN

OMIT NAIL HEAD TRIM ON FURNITURE



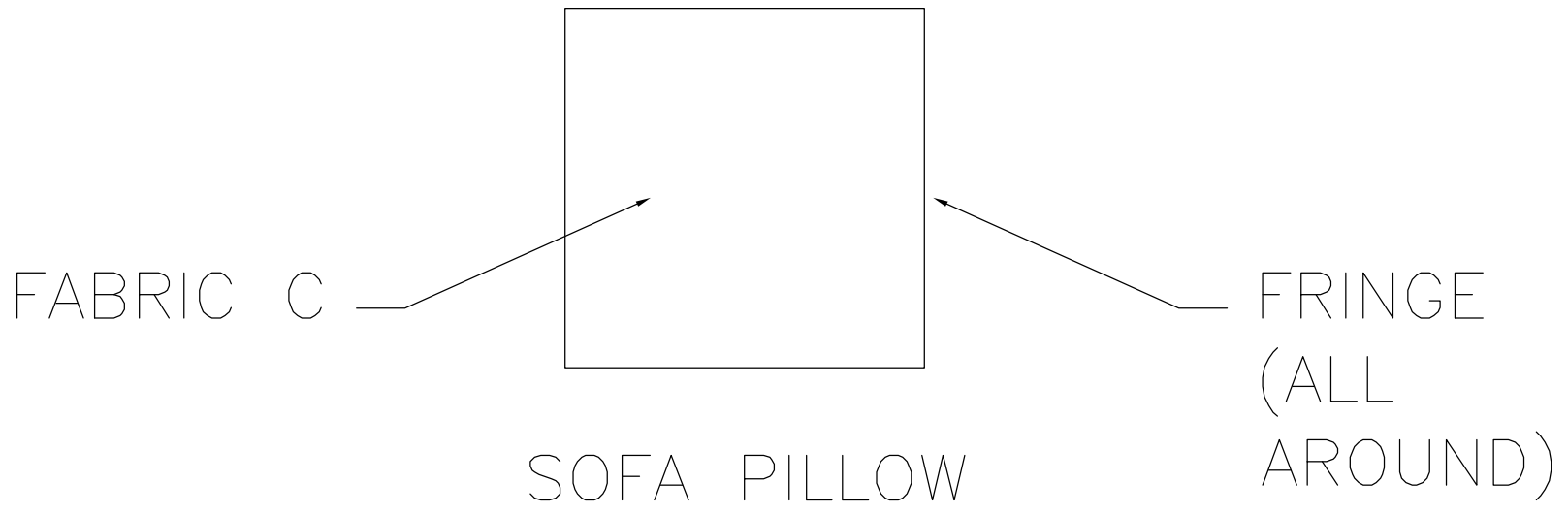
SOFA/FURNITURE

UNIT: # 162611
 DEALER: National Indoor RV
 SPECIAL: # 535

NOTE: GENERAL VISUAL REPRESENTATION OF INTERIOR COMPONENTS. NOT FOR DIMENSIONAL USE.

NEWMAR CORP P.O. Box 30, Nappanee, IN. 46550	Model: CS CA 3927	Sheet 1 OF 1	Drawn by: R. N.	Checked by: Z. R.	Revision:	By:
	Title: FABRIC CALL OUTS LIVINGROOM FURNITURE	I.D. # 2020\ SPECIALS\MOT\ 535FAB	Date: 9/13/19	Date: 9/16/19	Revision:	By:
UNITS: INCHES						Date:
TITLE BLOCK: 1-5TB						Date:

FABRIC LETTER	DECOR' NUMBER	DESCRIPTION
FABRIC "C"	KS20-350 "D"	WAGATI FROST
FRINGE	CS20-400 "FRINGE"	FRB05897-08-B SILVER

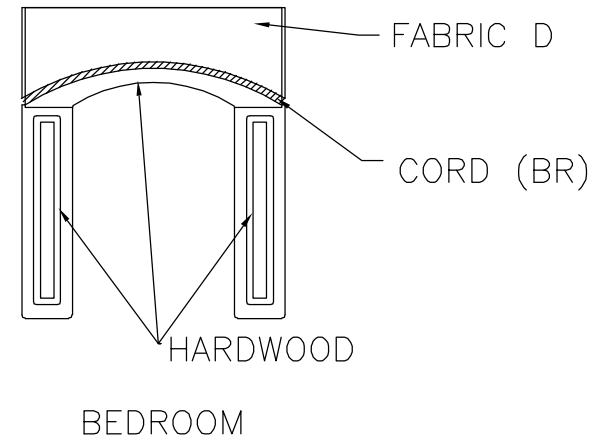
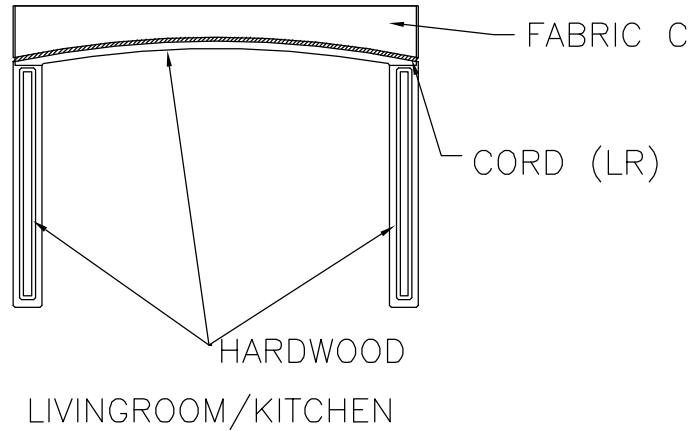


UNIT: # 162611
 DEALER: National Indoor RV
 SPECIAL: # 535

NOTE: GENERAL VISUAL REPRESENTATION OF INTERIOR COMPONENTS. NOT FOR DIMENSIONAL USE.

NEWMAR CORP P.O. Box 30, Nappanee, IN. 46550	Model:	Sheet	Drawn by:	Checked by:	Revision:	By:
	CS CA 3927	1 OF 1	R. N.	Z. R.		Date:
UNITS: INCHES	Title: FABRIC CALL OUTS SOFA PILLOWS	I.D. # 2020\ SPECIALS\MOT\ 535FAB	Date:	Date:	Revision:	By:
TITLE BLOCK: 1-5TB			9/13/19	9/16/19		Date:

FABRIC LETTER	DECOR' NUMBER	DESCRIPTION
FABRIC "C"	KS20-350 "D"	<i>WAGATI FROST</i>
FABRIC "D"	CS20-400 "D"	<i>RIPPLE DRIFTWOOD</i>
CORD (LR)	CS20-400 "CORD"(LR)	CD05897-08-B SILVER
CORD (BR)	CS20-400 "CORD"(BR)	CD06566-01-B MILKYWAY



MAIN FABRIC —

UNIT: # 162611
 DEALER: National Indoor RV
 SPECIAL: # 535

NOTE: GENERAL VISUAL REPRESENTATION OF INTERIOR COMPONENTS. NOT FOR DIMENSIONAL USE.

NEWMAR CORP P.O. Box 30, Nappanee, IN. 46550	Model:	Sheet	Drawn by:	Checked by:	Revision:	By:
	CS CA 3927	1 OF 1	R. N.	Z. R.		Date:
UNITS: INCHES	Title: FABRIC CALL OUTS VALANCES	I.D. # 2020\ SPECIALS\MOT\ 535FAB	Date:	Date:	Revision:	By:
TITLE BLOCK: 1-5TB			9/13/19	9/16/19		Date: