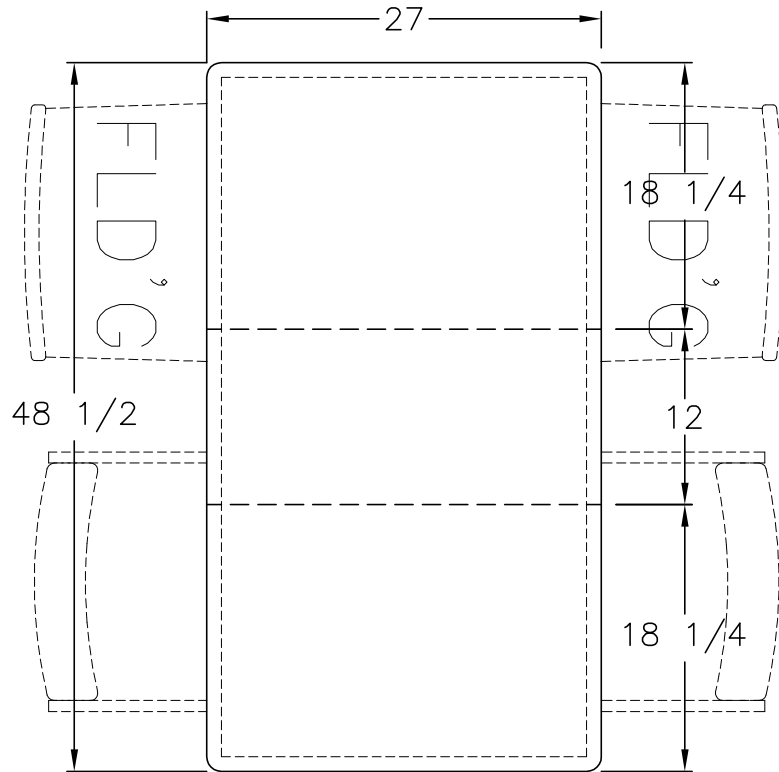
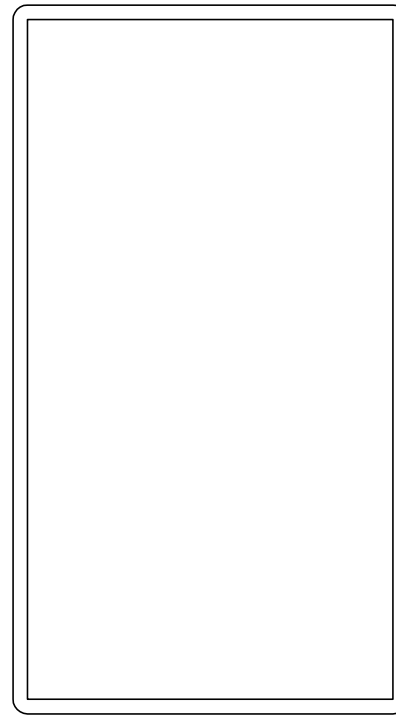


NOTE: ASSEMBLE TOP AS ONE PIECE.  
 1/2" ADDED TO OVERALL LENGTH FOR  
 SAW CUTS TO SEPARATE PIECES.



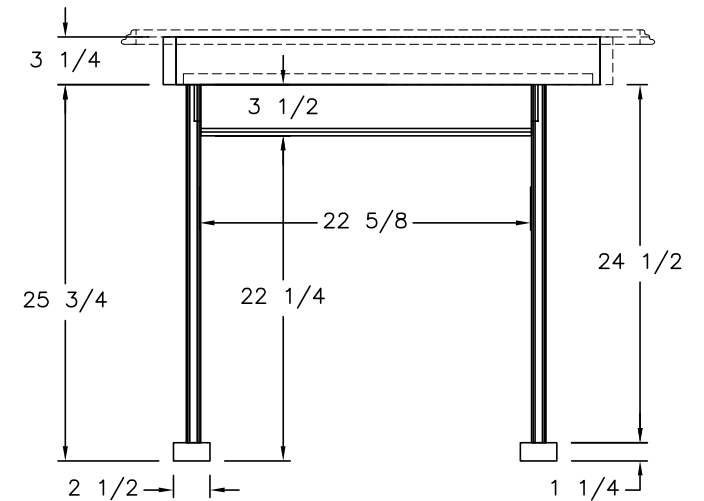
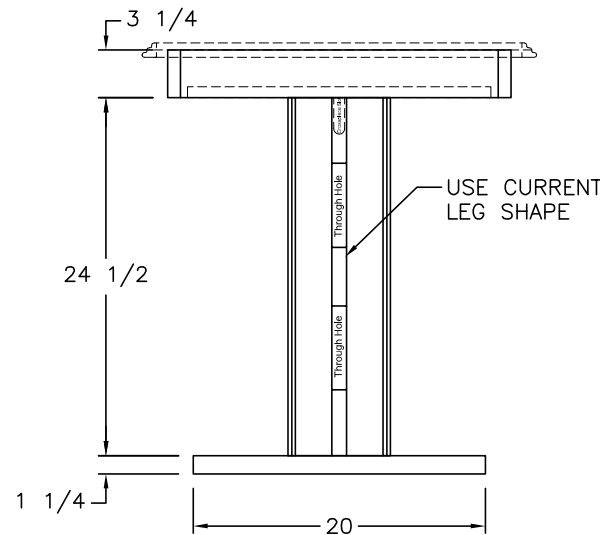
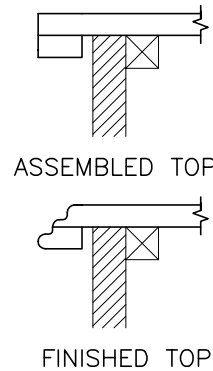
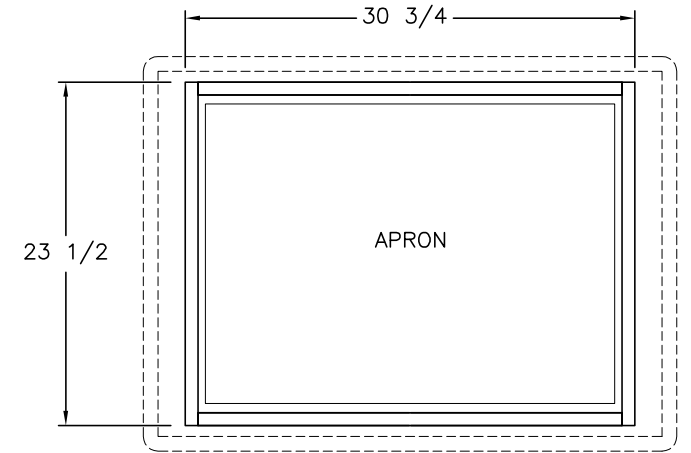
# SOLID SURFACE TABLE

UNIT: # 412515  
 DEALER: Tampa RV  
 SPECIAL: # 1183



PLEASE ACKNOWLEDGE AND DATE THE  
 FOLLOWING ORDER/PRINT FOR APPROVAL  
 TO BUILD, AND FAX TO NEWMAR (AT  
 574-773-2895) AS SOON AS POSSIBLE

DATE: \_\_\_\_\_  
 SIGN: \_\_\_\_\_



**NEWMAR CORP**  
 P.O. Box 30,  
 Nappanee, IN. 46550

Model: VL DP 4037  
 Title: FREE STANDING TABLE

Sheet 1 OF 1  
 I.D. # 2016 \SPECIALS\MOT\1183DK

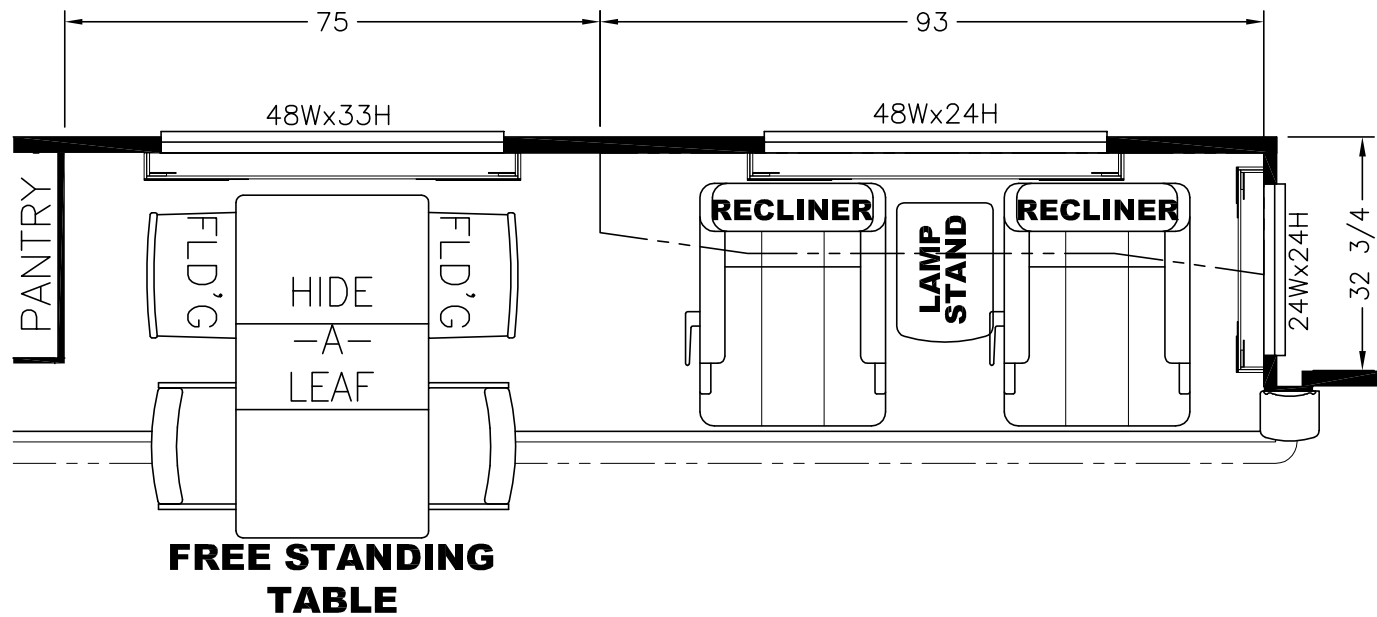
Drawn by: Z. R.  
 Date: 12/15/15

Checked by: A. M.  
 Date: 12/16/15

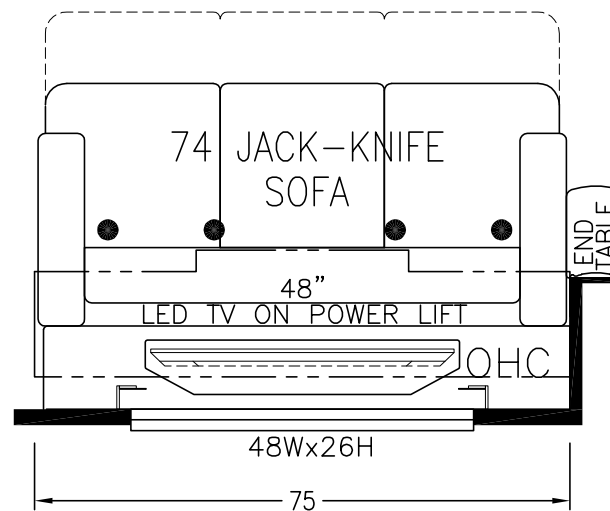
Revision: Added print to special print pack due to CO #94427  
 Revision:

By: Z. R.  
 Date: 12/15/15  
 By:  
 Date:

UNITS: INCHES  
 TITLE BLOCK: 1TB



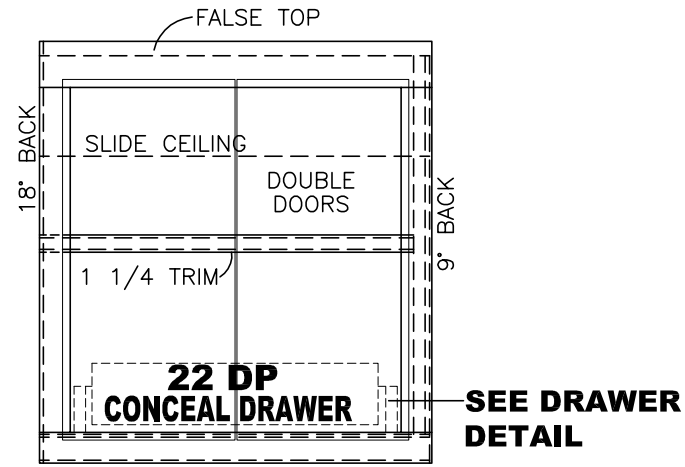
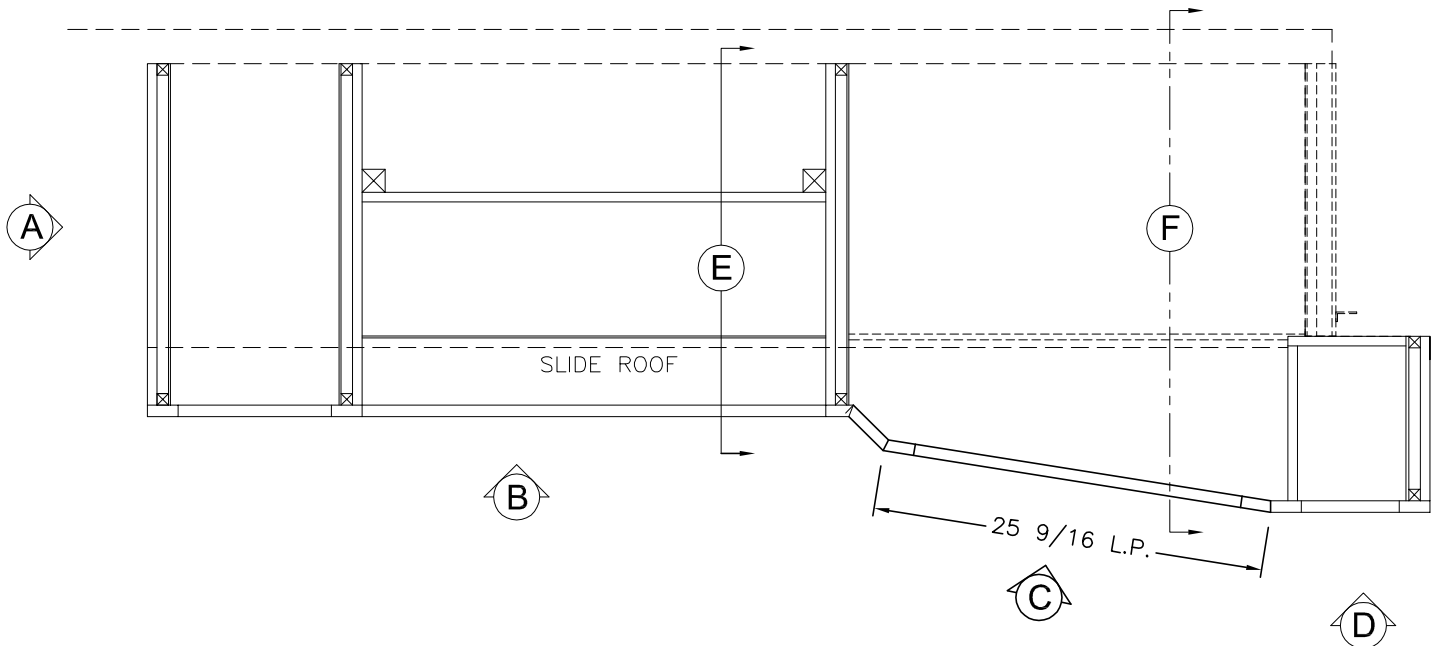
PLEASE ACKNOWLEDGE AND DATE THE FOLLOWING ORDER/PRINT FOR APPROVAL TO BUILD, AND FAX TO NEWMAR (AT 574-773-2895) AS SOON AS POSSIBLE  
 DATE: \_\_\_\_\_  
 SIGN: \_\_\_\_\_



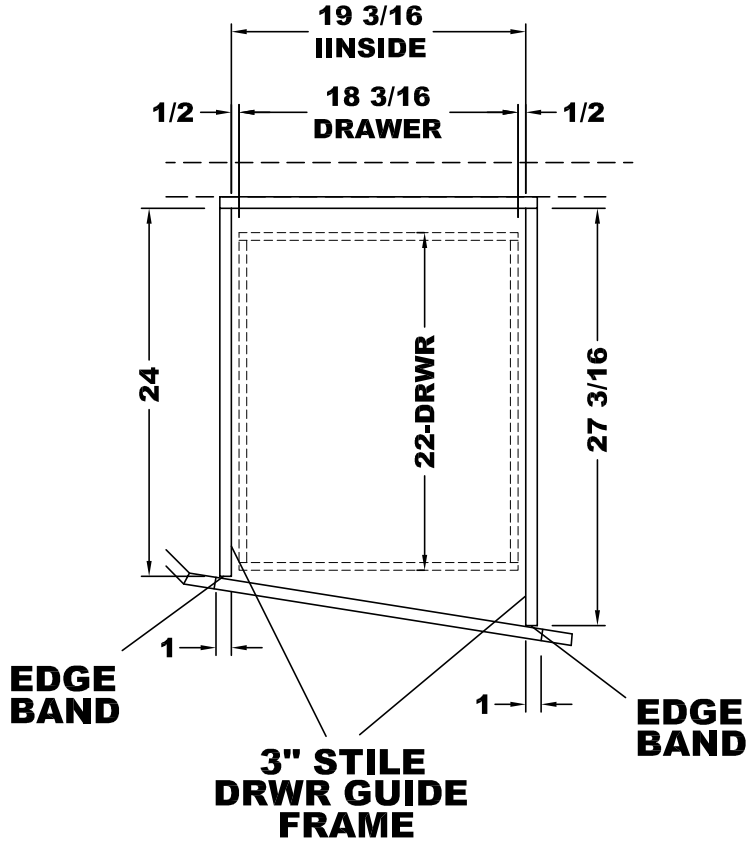
UNIT: # 412515  
 DEALER: Tampa RV  
 SPECIAL: # 1183

<b>NEWMAR CORP</b> P.O. Box 30, Nappanee, IN. 46550 UNITS: INCHES TITLE BLOCK: 3125TB	Model:	Sheet	Drawn by:	Checked by:	Revision: CHANGED OUT DINETTE WITH FREE STANDING TABLE PER CO # 94427	By: A. M.
	VL DP 4037	1 OF 3	Z. R.	A. M.		Date: 12/16/15
	Title:	I.D. # 2016\	Date:	Date:	Revision:	By:
	FLOOR PLAN	SPECIALS\MOT\ 1183FP	12/4/15	12/7/15		Date:

PLEASE ACKNOWLEDGE AND DATE THE FOLLOWING ORDER/PRINT FOR APPROVAL TO BUILD, AND FAX TO NEWMAR (AT 574-773-2895) AS SOON AS POSSIBLE  
 DATE: \_\_\_\_\_  
 SIGN: \_\_\_\_\_



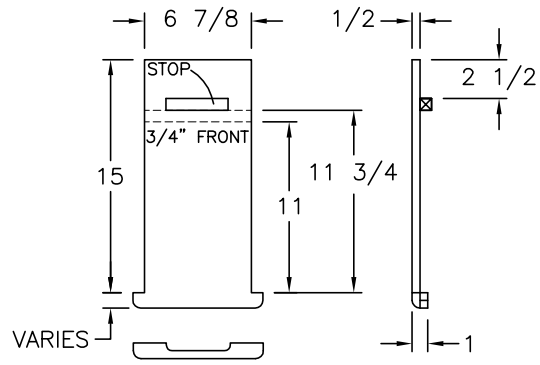
VIEW C  
 (2) 11 1/4x23 1/2 DOORS



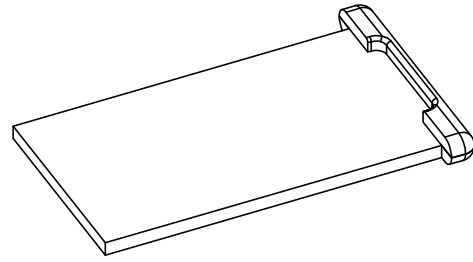
PULLOUT DRAWER DETAIL

UNIT: # 412515  
 DEALER: Tampa RV  
 SPECIAL: # 1183

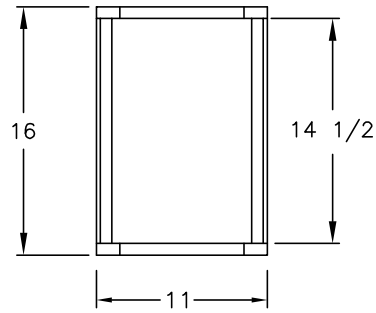
<b>NEWMAR CORP</b> P.O. Box 30, Nappanee, IN. 46550 UNITS: INCHES TITLE BLOCK: 1TB	Model: VL DP 4037	Sheet: 1 OF 1	Drawn by: Z. R.	Checked by: A. M.	Revision:	By:
	Title: 75 1/2 KIT S-O OHC (ELEVATION)	I.D. # 2016\ SPECIALS\MOT\ 1183KT_OH	Date: 12/7/15	Date: 12/7/15	Revision:	Date:



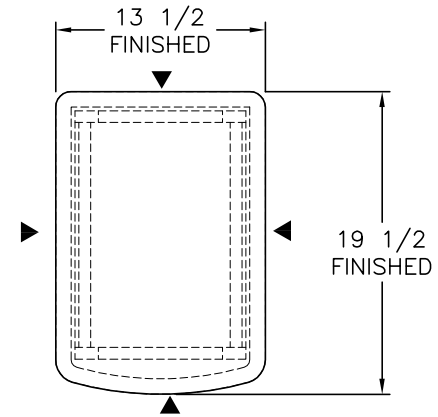
1/2 SOLID SURFACE  
P-O SHELF



BOTTOM VIEW  
(REFERENCE ONLY)

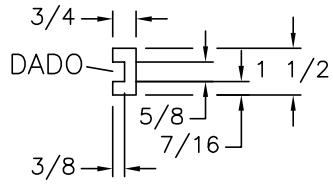


TOP VIEW



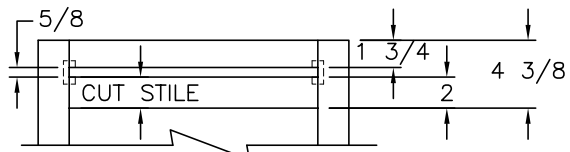
EDGE TRIM  
(2) PIECES 1/2 MATERIAL

▶ - DENOTES A FINISHED EDGE  
1/2" SOLID SURFACE

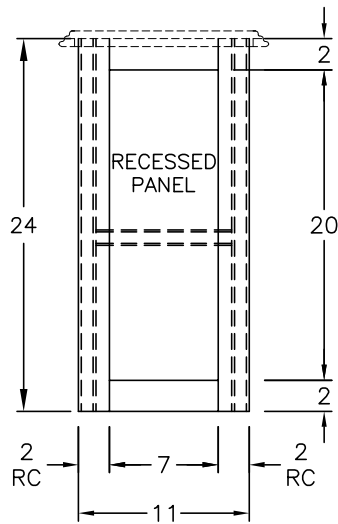


HARDWOOD  
TRACK DETAIL

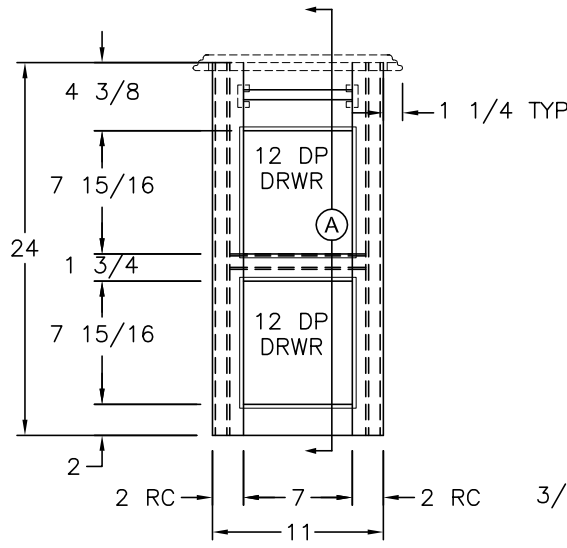
2X SCALE



CABINET BASE FRONT VIEW

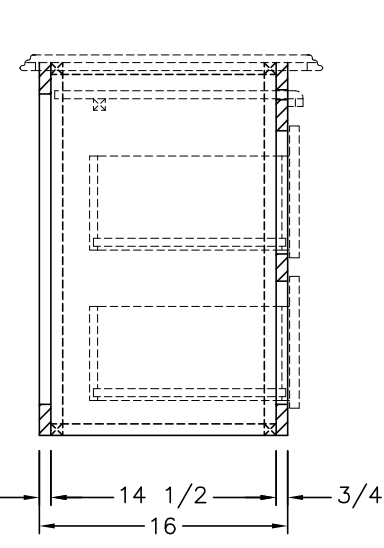


REAR VIEW

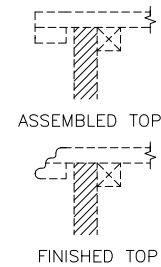


FRONT VIEW

(2) 7 1/2x8 1/2 FRONTS



SIDE SECTION (A)



UNIT: # 412515  
DEALER: Tampa RV  
SPECIAL: # 1183

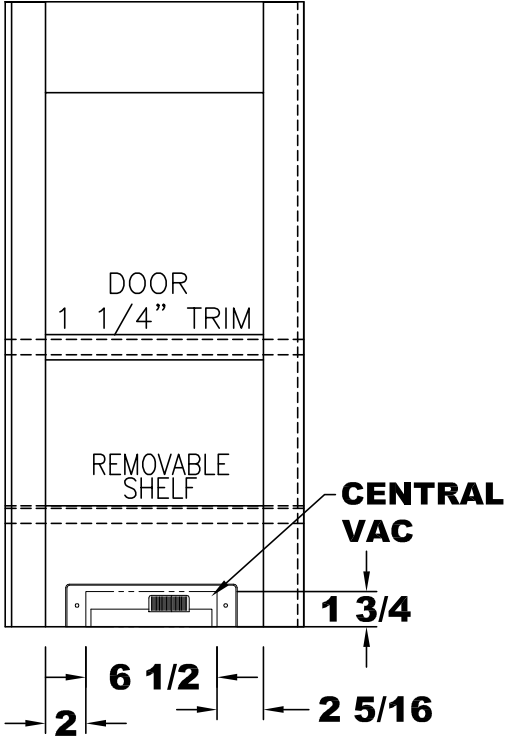
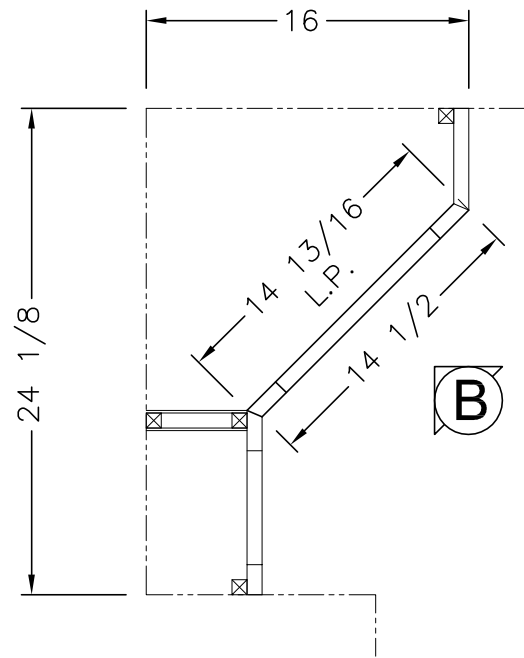
PLEASE ACKNOWLEDGE AND DATE THE  
FOLLOWING ORDER/PRINT FOR APPROVAL  
TO BUILD, AND FAX TO NEWMAR (AT  
574-773-2895) AS SOON AS POSSIBLE  
DATE: \_\_\_\_\_  
SIGN: \_\_\_\_\_

<b>NEWMAR CORP</b> P.O. Box 30, Nappanee, IN. 46550	Model:	Sheet	Drawn by:	Checked by:	Revision:	By:
	VL DP 4037	1 OF 1	Z. R.	A. M.		Date:
UNITS: INCHES	Title:	I.D. # 2016\	Date:	Date:	Revision:	By:
TITLE BLOCK: 1TB	FREE-STANDING LAMP STAND	SPECIALS\MOT\ 1183LAMP	12/7/15	12/7/15		Date:

PLEASE ACKNOWLEDGE AND DATE THE FOLLOWING ORDER/PRINT FOR APPROVAL TO BUILD, AND FAX TO NEWMAR (AT 574-773-2895) AS SOON AS POSSIBLE

DATE: \_\_\_\_\_

SIGN: \_\_\_\_\_



VIEW (B)

UNIT: # 412515  
 DEALER: Tampa RV  
 SPECIAL: # 1183

<b>NEWMAR CORP</b> P.O. Box 30, Nappanee, IN. 46550 UNITS: INCHES TITLE BLOCK: 1TB	Model:	Sheet	Drawn by:	Checked by:	Revision:	By:
	VL DP 4037	1 OF 1	Z. R.	A. M.		Date:
	Title:	I.D. # 2016\	Date:	Date:	Revision:	By:
	24 1/8 LAV BASE & TOP	SPECIALS\MOT\	12/4/15	12/7/15		Date:
		1183LV				