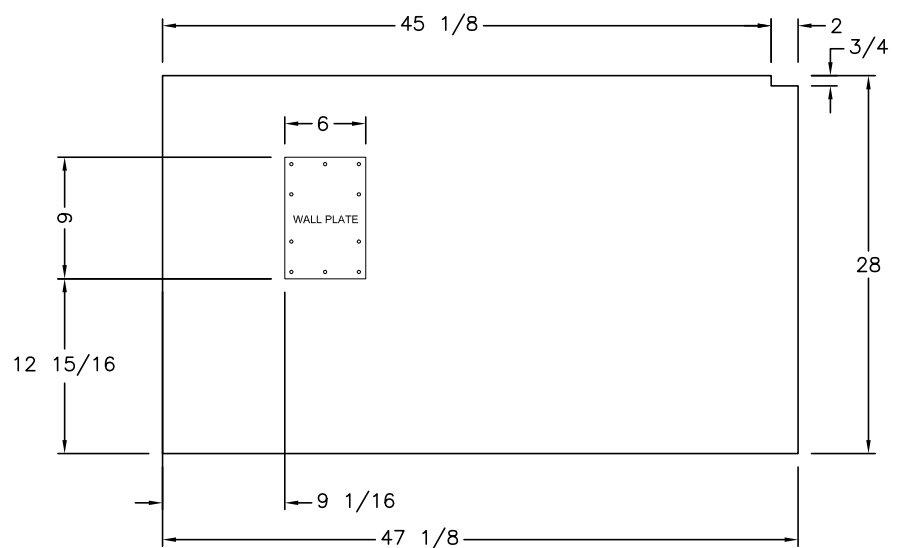
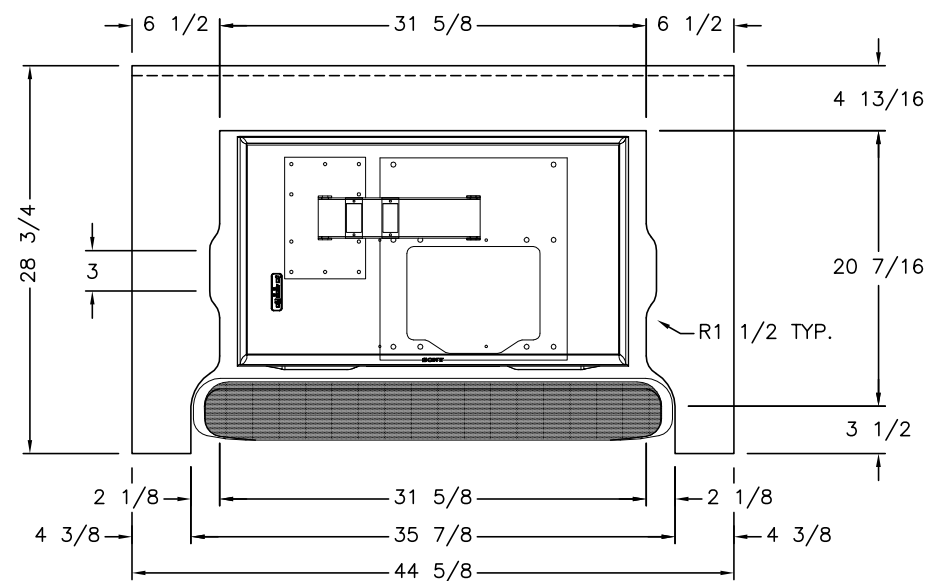
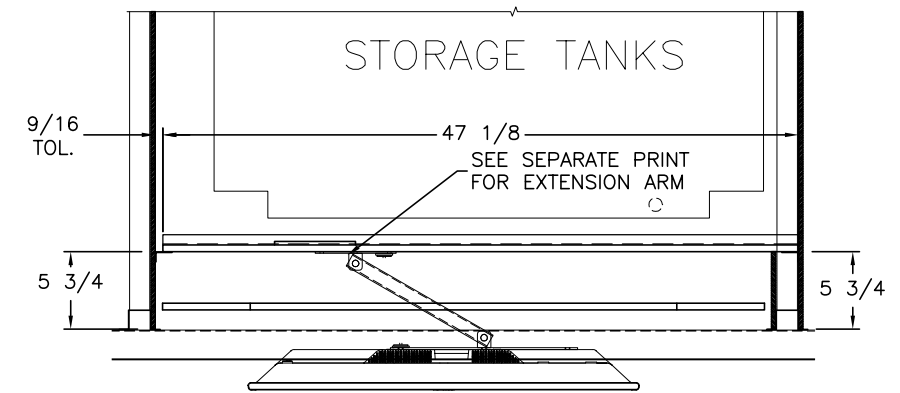
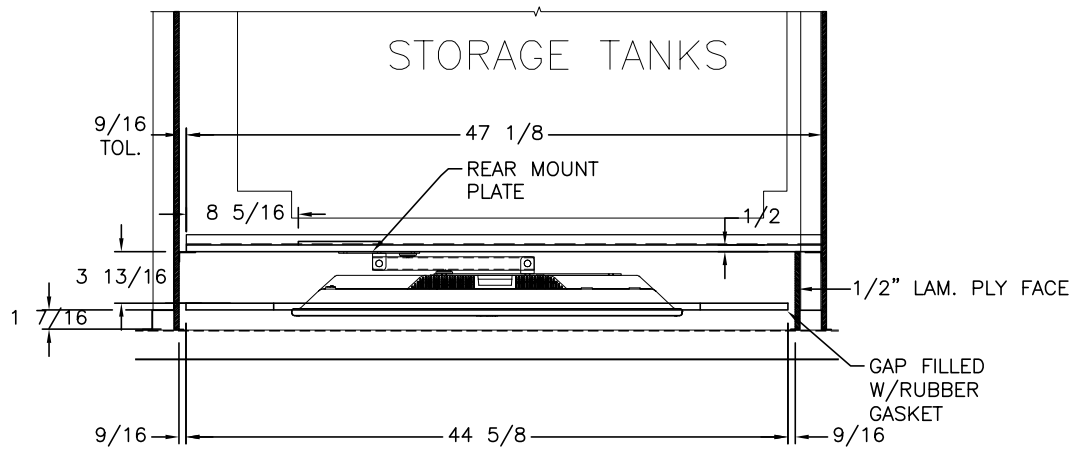


ITEM #	QTY	NEWMAR #	DESCRIPTION
1	1	131913	SONY 32" LED TV (KDL-32R500C)
2	1	126841	SWING ARM TV BRACKET
3	1	125441	SOUND BAR JBL W/ BLUETOOTH



UNIT: # 412533
 DEALER: Diamond RV Centre
 SPECIAL: # 1293
 MIDNIGHT CORIAN
 FRONT PANEL
 FRONT VIEW

1/2" LAM PLY FACE
 REAR PANEL
 FRONT VIEW

PLEASE ACKNOWLEDGE AND DATE THE FOLLOWING PRINTS FOR APPROVAL TO BUILD, AND EMAIL TO NEWMAR ENGINEERING AS SOON AS POSSIBLE
 DATE:
 SIGN:

NEWMAR CORP P.O. Box 30, Nappanee, IN. 46550	Model:	Sheet	Drawn by:	Checked by:	Revision:	By:
	VT DP 4369	1 OF 1	Z. R.	A. M.		Date:
UNITS: INCHES	Title:	I.D. #	Date:	Date:	Revision:	By:
TITLE BLOCK: 1TB	EXTERIOR ENT CENTER IN DS WATER COMPARTMENT	2016\ SPECIALS\MOT\ 1293ET	1/18/16	1/18/16		Date: