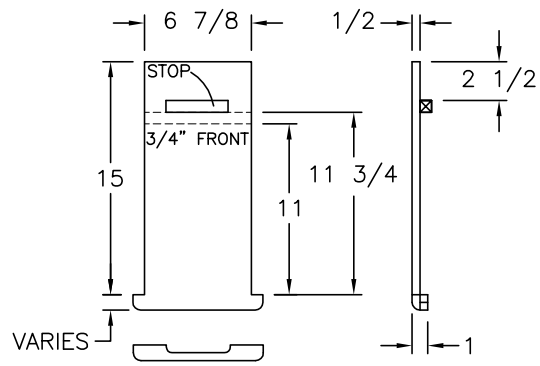


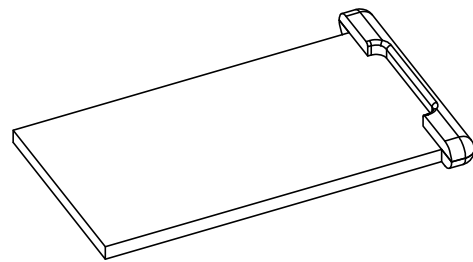
PLEASE ACKNOWLEDGE AND DATE THE FOLLOWING ORDER/PRINT FOR APPROVAL TO BUILD, AND FAX TO NEWMAR (AT 574-773-2895) AS SOON AS POSSIBLE
 DATE: _____
 SIGN: _____

UNIT: # 412823
 DEALER: Mount Comfort RV
 SPECIAL: # 232

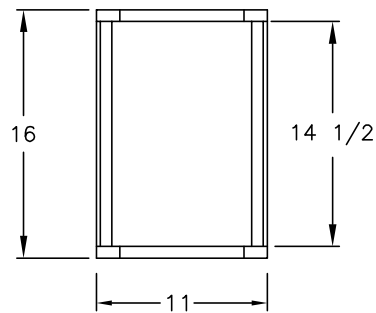
NEWMAR CORP P.O. Box 30, Nappanee, IN. 46550 UNITS: INCHES TITLE BLOCK: 3125TB	Model: (K123)(K260) VL DP 4037	Sheet 1 OF 3	Drawn by: Z. R.	Checked by: A. M.	Revision:	By:
	Title: FLOOR PLAN	I.D. # 2017\ SPECIALS\MOT\ 232FP	Date: 5/3/16	Date: 5/9/16	Revision:	By:



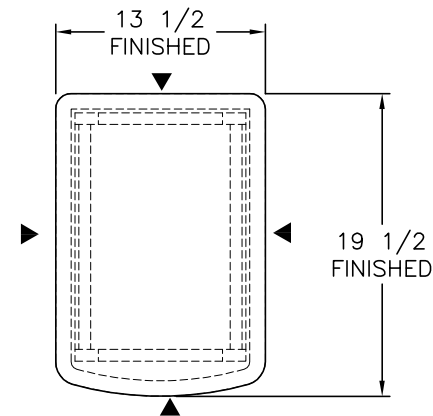
1/2 SOLID SURFACE
P-O SHELF



BOTTOM VIEW
(REFERENCE ONLY)

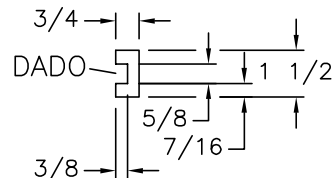


TOP VIEW



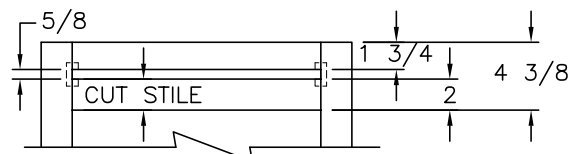
EDGE TRIM
(2) PIECES 1/2 MATERIAL

▶ - DENOTES A FINISHED EDGE
1/2" SOLID SURFACE

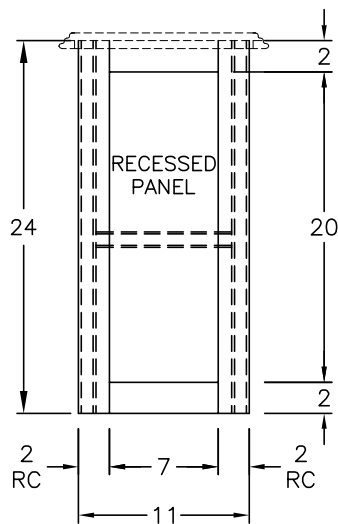


HARDWOOD
TRACK DETAIL

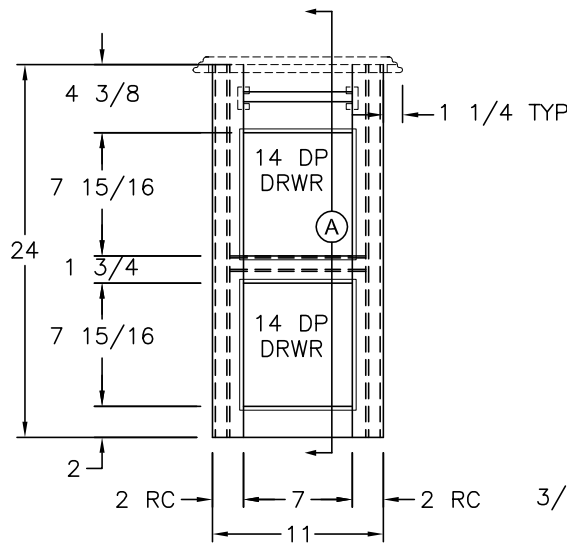
2X SCALE



CABINET BASE FRONT VIEW

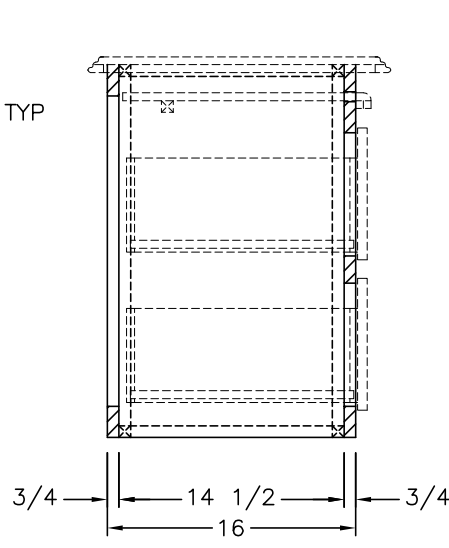


REAR VIEW

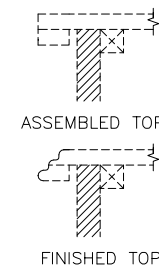


FRONT VIEW

(2) 7 1/2x8 1/2 FRONTS



SIDE SECTION (A)



PLEASE ACKNOWLEDGE AND DATE THE
FOLLOWING ORDER/PRINT FOR APPROVAL
TO BUILD, AND FAX TO NEWMAR (AT
574-773-2895) AS SOON AS POSSIBLE
DATE: _____
SIGN: _____

UNIT: # 412823
DEALER: Mount Comfort RV
SPECIAL: # 232

NEWMAR CORP
P.O. Box 30,
Nappanee, IN. 46550

Model:
VL DP 4037
Title:
FREE-STANDING LAMP STAND

Sheet
1 OF 1
I.D. # 2017\
SPECIALS\MOT\
232LAMP

Drawn by:
Z. R.
Date:
5/12/16

Checked by:
A. M.
Date:
5/13/16

Revision: Added print to special print pack due to CO #95534

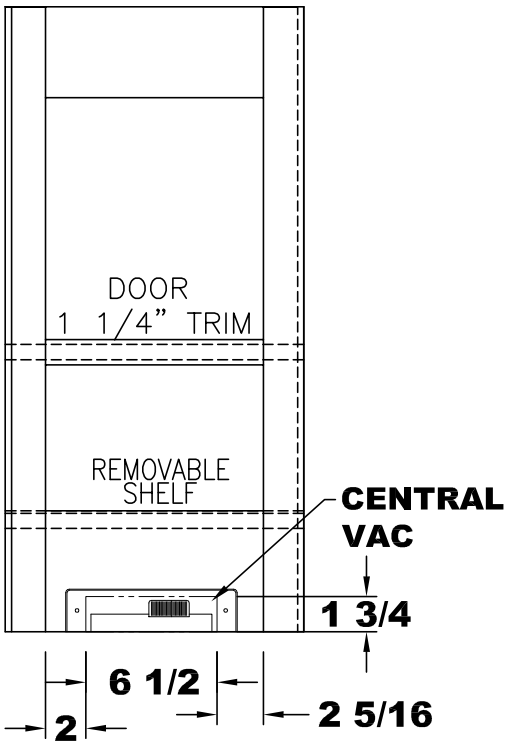
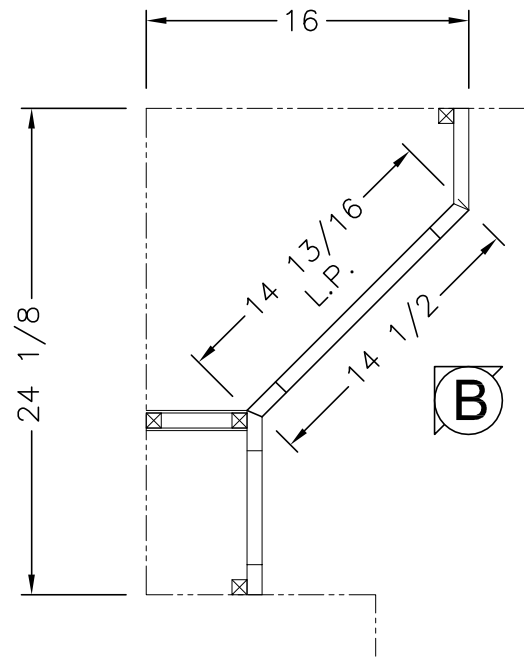
By: Z. R.
Date: 5/12/16
By:
Date:

UNITS: INCHES
TITLE BLOCK: 1TB

PLEASE ACKNOWLEDGE AND DATE THE FOLLOWING ORDER/PRINT FOR APPROVAL TO BUILD, AND FAX TO NEWMAR (AT 574-773-2895) AS SOON AS POSSIBLE

DATE: _____

SIGN: _____



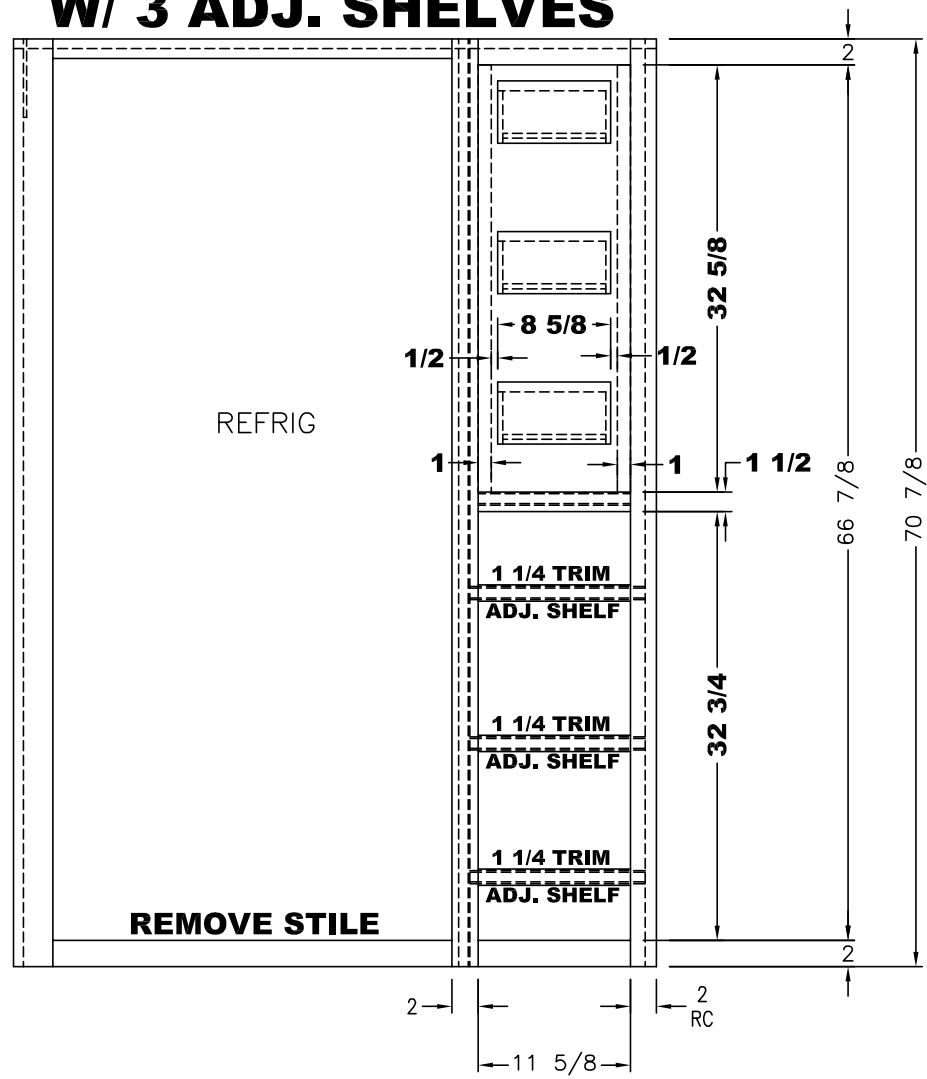
VIEW (B)

UNIT: # 412823
 DEALER: Mount Comfort RV
 SPECIAL: # 232

NEWMAR CORP P.O. Box 30, Nappanee, IN. 46550 UNITS: INCHES TITLE BLOCK: 1TB	Model:	Sheet	Drawn by:	Checked by:	Revision:	By:
	VT DP 4037	1 OF 1	Z. R.	A. M.		Date:
	Title:	I.D. # 2017\	Date:	Date:	Revision:	By:
	24 1/8 LAV BASE & TOP	SPECIALS\MOT\	5/3/16	5/9/16		Date:
		232LV				

ITEM #	OPTION	NEWMAR #	DESCRIPTION
1	J775	130238	WHIRLPOOL 19.7 CF REFRIDGERATOR WRF560SEYM

3 PULL OUT DRAWERS W/ 3 ADJ. SHELVES



PLEASE ACKNOWLEDGE AND DATE THE FOLLOWING ORDER/PRINT FOR APPROVAL TO BUILD, AND FAX TO NEWMAR (AT 574-773-2895) AS SOON AS POSSIBLE

DATE: _____

SIGN: _____

UNIT: # 412823
DEALER: Mount Comfort RV
SPECIAL: # 232

FRONT VIEW
(1) 12 5/8x67 5/8 DOOR
(J775) – WHIRLPOOL RESIDENTIAL REFER 19.7 CU. FT.

NEWMAR CORP P.O. Box 30, Nappanee, IN. 46550	Model: (J775)	Sheet 1 OF 1	Drawn by: Z. R.	Checked by: A. M.	Revision:	By:
	Title: REFRIGERATOR/PANTRY	I.D. # 2017\ SPECIALS\MOT\ 232RF	Date: 5/3/16	Date: 5/9/16	Revision:	Date:
UNITS: INCHES						By:
TITLE BLOCK: 1TB						Date: