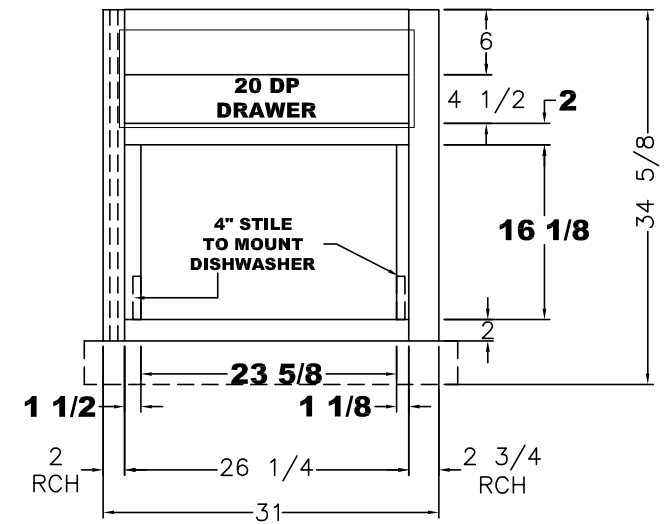
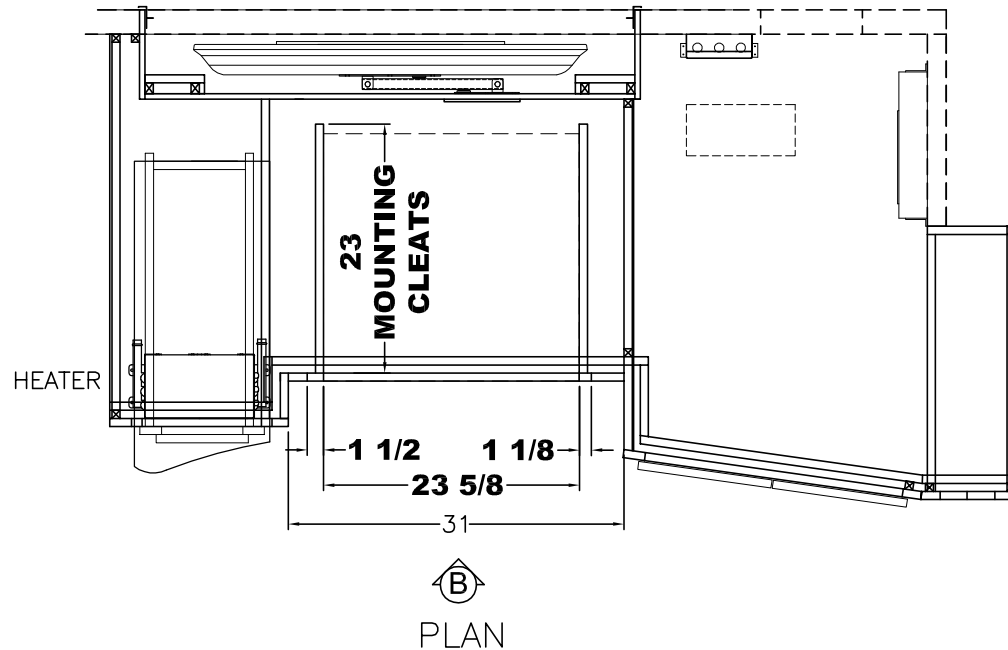


ITEM #	QTY	NEWMAR #	DESCRIPTION
1	1	120364	DISHWASHER

PLEASE ACKNOWLEDGE AND DATE THE FOLLOWING ORDER/PRINT FOR APPROVAL TO BUILD, AND FAX TO NEWMAR (AT 574-773-2895) AS SOON AS POSSIBLE

DATE: _____

SIGN: _____



VIEW (B)

(1) 9 X 27 1/4 FRONT

(J525)(J520)

UNIT: # 412949
 DEALER: North Trail RV
 SPECIAL: # 836

NEWMAR CORP P.O. Box 30, Nappanee, IN. 46550 UNITS: INCHES TITLE BLOCK: 75TB	Model: (J520)(J525)	Sheet	Drawn by:	Checked by:	Revision:	By:
	VT DP 4037	1 OF 1	Z. R.	A. M.		Date:
	Title: 75 1/2 KIT S-O BASE	I.D. # 2017 SPECIALS\MOT\ 836KT	Date: 8/31/16	Date: 9/1/16	Revision:	By:
						Date: