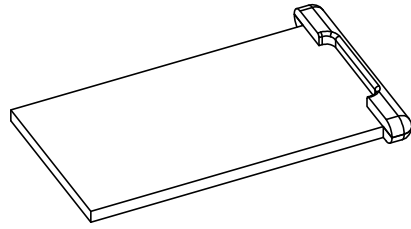
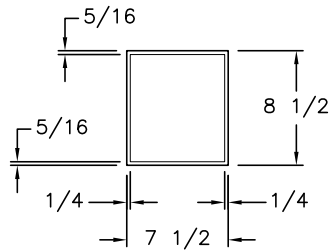
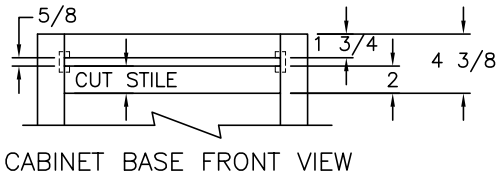
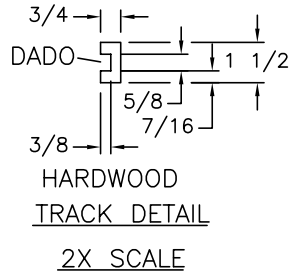


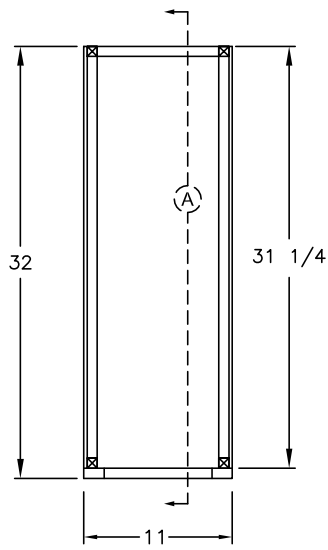
1/2 SOLID SURFACE
P-O SHELF



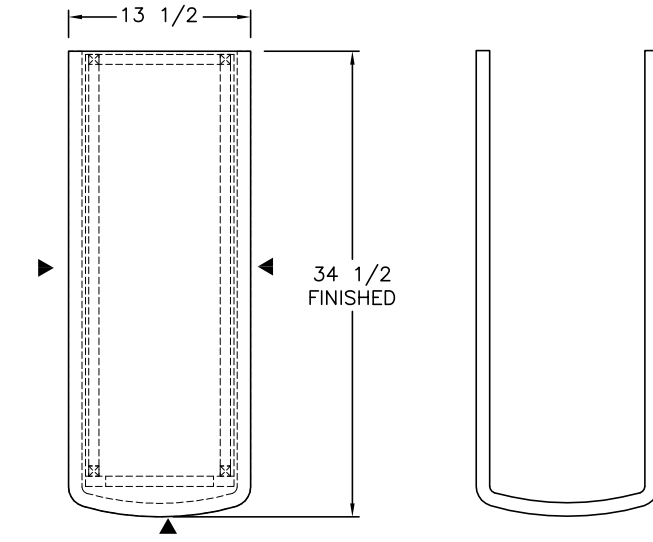
BOTTOM VIEW
(REFERENCE ONLY)



DOOR OVERLAY



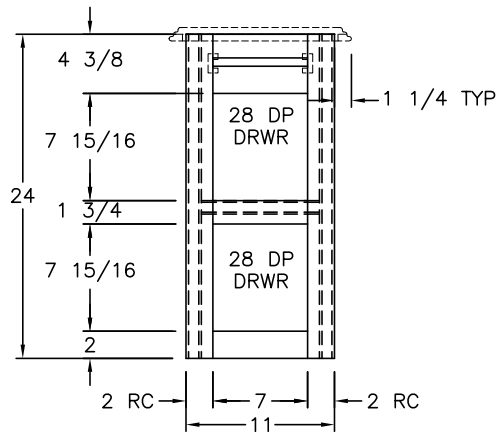
TOP VIEW



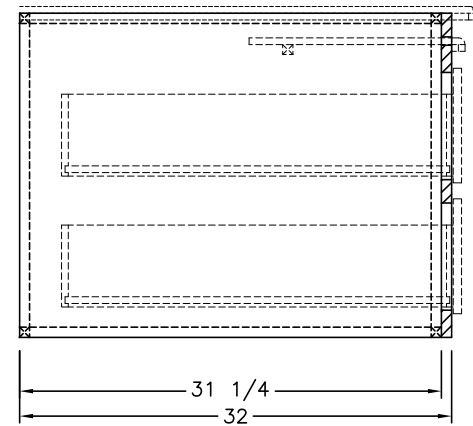
TOP VIEW

EDGE TRIM
(2) PIECES 1/2 MATERIAL

▶ - DENOTES A FINISHED EDGE
1/2" SOLID SURFACE



FRONT VIEW
(2) 7 1/2x8 1/2 FRONTS



SIDE SECTION A

PLEASE ACKNOWLEDGE AND DATE THE FOLLOWING ORDER/PRINT FOR APPROVAL TO BUILD, AND FAX TO NEWMAR (AT 574-773-2895) AS SOON AS POSSIBLE
DATE: _____
SIGN: _____

UNIT: # 413027
DEALER: Ancira Motorhomes
SPECIAL: # 1094

NEWMAR CORP
P.O. Box 30,
Nappanee, IN. 46550

Model:
VL DP 4037

Sheet
1 OF 1

Drawn by:
Z. R.

Checked by:
A. M.

Revision:

By:

Title:
11 LAMP STAND

I.D. # 2017\
SPECIALS\MOT\
1094LAMP

Date:
9/30/16

Date:
9/30/16

Revision:

Date:

By:

Date:

UNITS: INCHES
TITLE BLOCK: 1TB