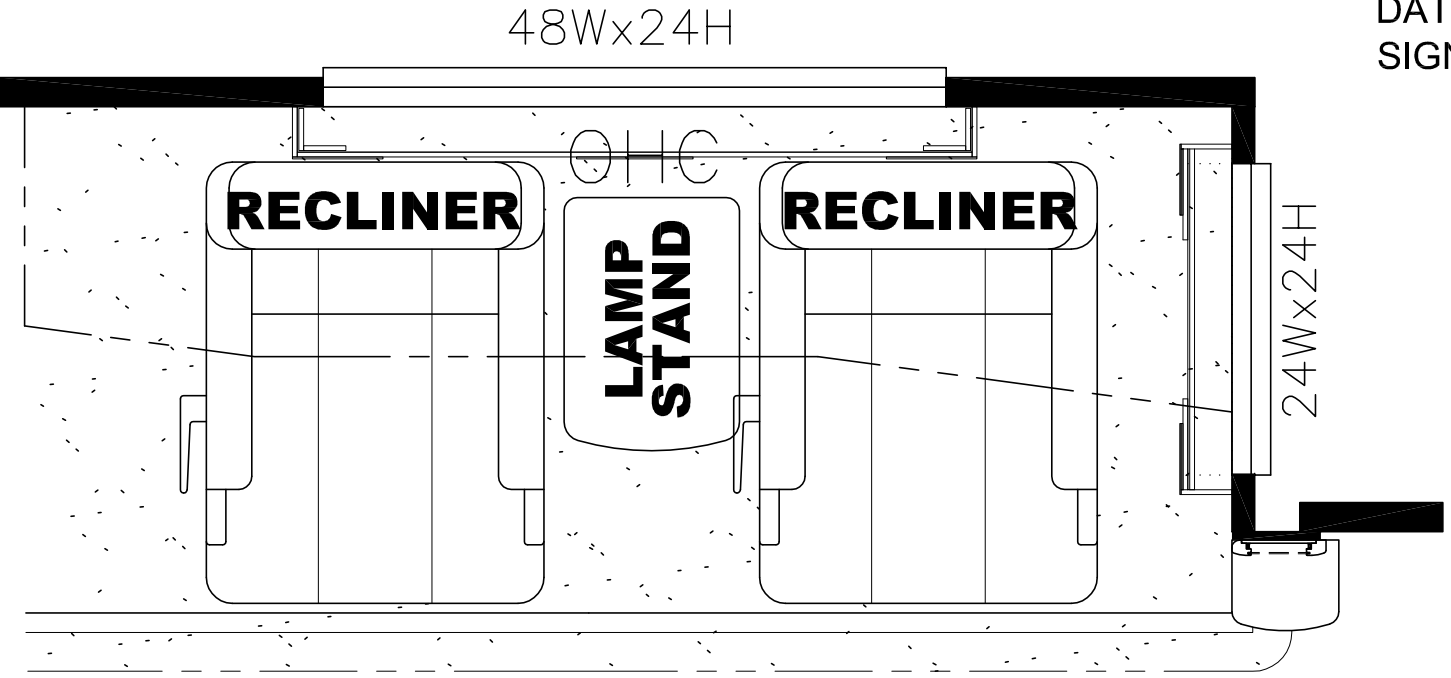


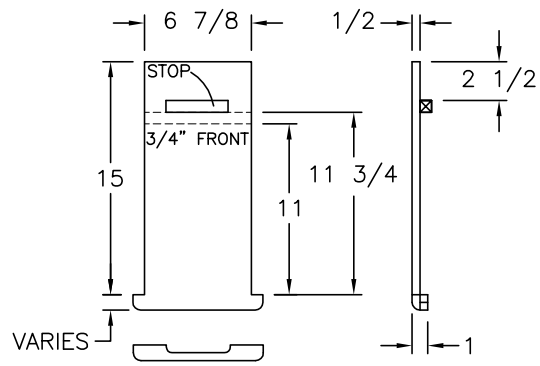
PLEASE ACKNOWLEDGE AND DATE THE FOLLOWING ORDER/PRINT FOR APPROVAL TO BUILD, AND FAX TO NEWMAR (AT 574-773-2895) AS SOON AS POSSIBLE

DATE: _____
SIGN: _____

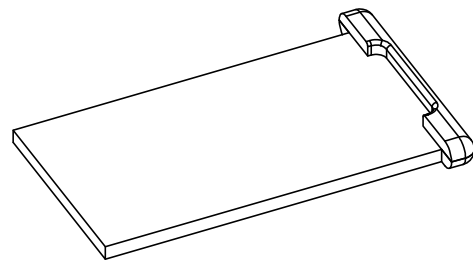


UNIT: # 413060
DEALER: Albany RV
SPECIAL: # 1056

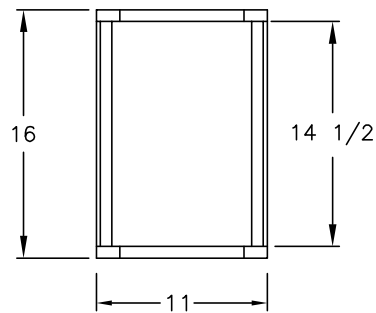
NEWMAR CORP P.O. Box 30, Nappanee, IN. 46550	Model:	Sheet	Drawn by:	Checked by:	Revision:	By:
	VL DP 4037	1 OF 1	Z. R.	A. M.		Date:
UNITS: INCHES	Title:	I.D. # 2017\	Date:	Date:	Revision:	By:
TITLE BLOCK: 3125TB	FLOOR PLAN	SPECIALS\MOT\ 1056FP	10/14/16	10/17/16		Date:



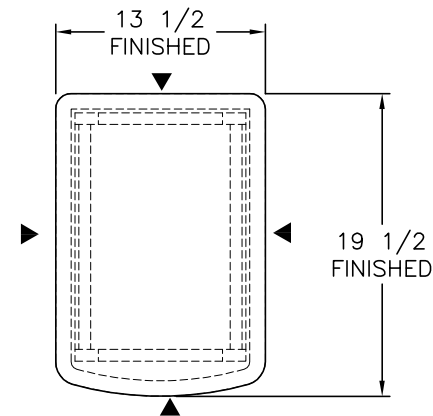
1/2 SOLID SURFACE
P-O SHELF



BOTTOM VIEW
(REFERENCE ONLY)

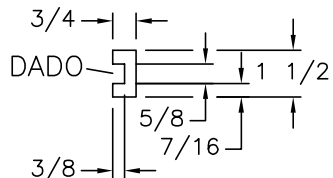


TOP VIEW



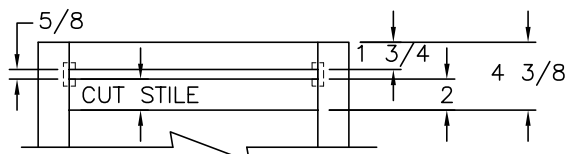
EDGE TRIM
(2) PIECES 1/2 MATERIAL

▶ - DENOTES A FINISHED EDGE
1/2" SOLID SURFACE

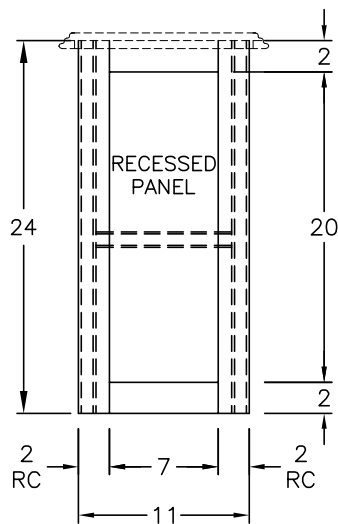


HARDWOOD
TRACK DETAIL

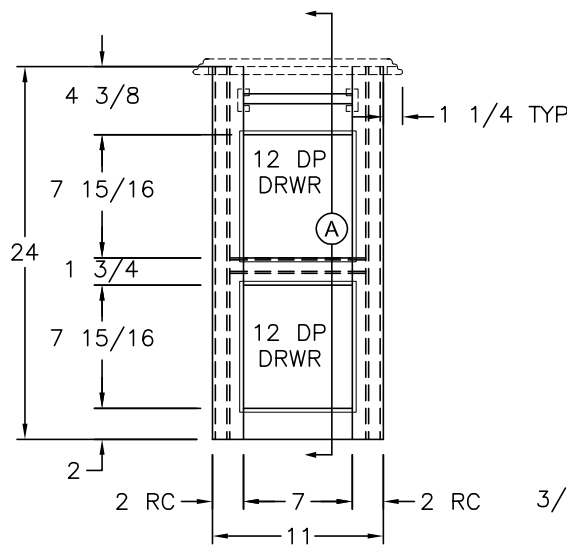
2X SCALE



CABINET BASE FRONT VIEW

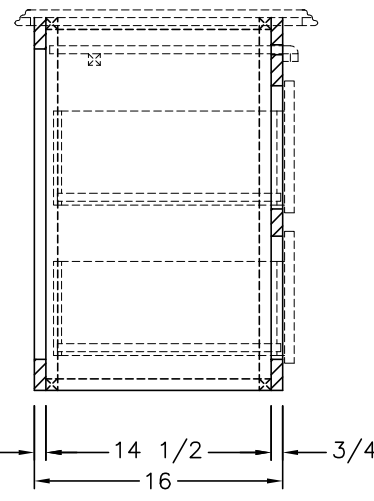


REAR VIEW

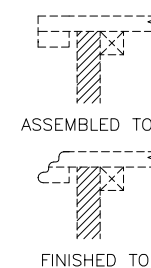


FRONT VIEW

(2) 7 1/2x8 1/2 FRONTS



SIDE SECTION (A)



PLEASE ACKNOWLEDGE AND DATE THE
FOLLOWING ORDER/PRINT FOR APPROVAL
TO BUILD, AND FAX TO NEWMAR (AT
574-773-2895) AS SOON AS POSSIBLE
DATE: _____
SIGN: _____

UNIT: # 413060
DEALER: Albany RV
SPECIAL: # 1056

NEWMAR CORP
P.O. Box 30,
Nappanee, IN. 46550

Model:
VL DP 4037
Title:
FREE-STANDING LAMP STAND

Sheet
1 OF 1
I.D. # 2017\
SPECIALS\MOT\
1056LAMP

Drawn by:
Z. R.
Date:
10/14/16

Checked by:
A. M.
Date:
10/17/16

Revision:

By:
Date:
By:
Date:

UNITS: INCHES
TITLE BLOCK: 1TB