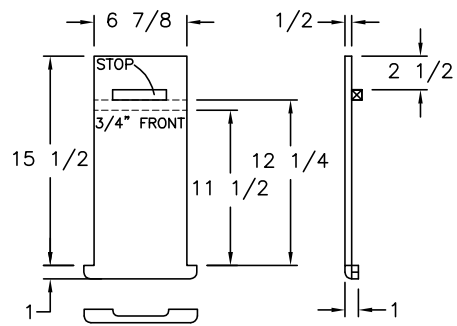


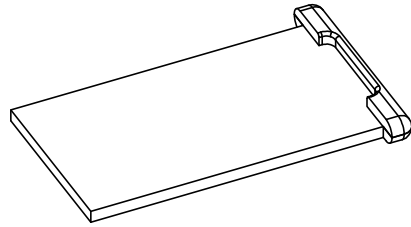
PLEASE ACKNOWLEDGE AND DATE THE FOLLOWING ORDER/PRINT FOR APPROVAL TO BUILD, AND FAX TO NEWMAR (AT 574-773-2895) AS SOON AS POSSIBLE  
 DATE: \_\_\_\_\_  
 SIGN: \_\_\_\_\_

UNIT: # 413085  
 DEALER: Guaranty RV  
 SPECIAL: # 1356

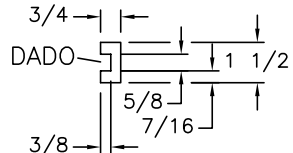
<b>NEWMAR CORP</b> P.O. Box 30, Nappanee, IN. 46550 UNITS: INCHES TITLE BLOCK: 3125TB	Model: (K285)(K260)	Sheet 1 OF 1	Drawn by: Z. R.	Checked by: A. M.	Revision:	By:
	Title: FLOOR PLAN	I.D. # 2017 \ SPECIALS \ MOT \ 1356FP	Date: 11/9/16	Date: 11/14/16	Revision:	Date:



1/2 SOLID SURFACE  
P-O SHELF

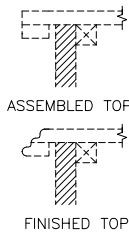


BOTTOM VIEW  
(REFERENCE ONLY)

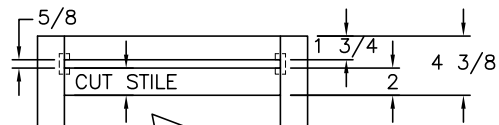


HARDWOOD  
TRACK DETAIL

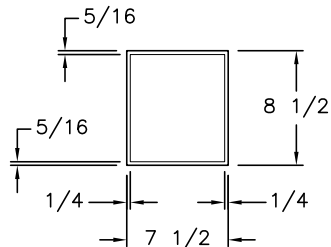
2X SCALE



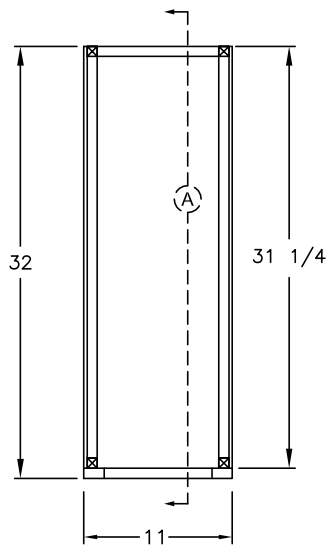
ASSEMBLED TOP  
FINISHED TOP



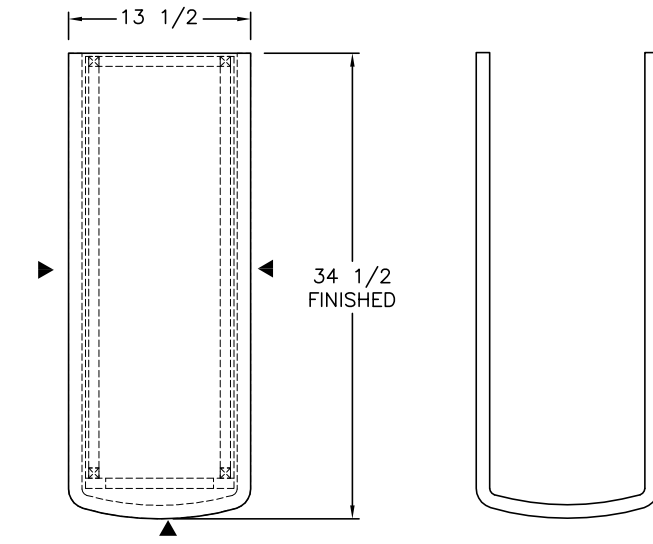
CABINET BASE FRONT VIEW



DOOR OVERLAY



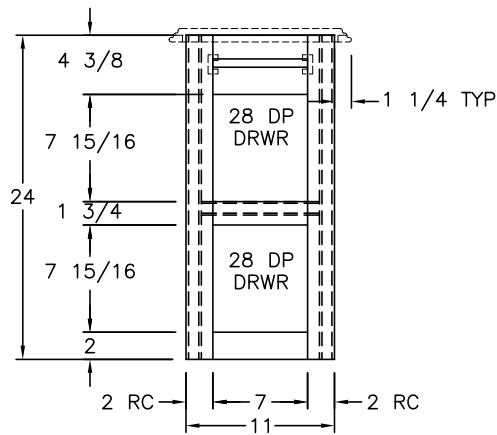
TOP VIEW



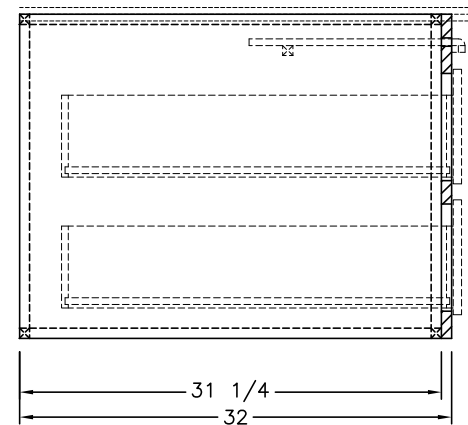
TOP VIEW

EDGE TRIM  
(2) PIECES 1/2 MATERIAL

▶ - DENOTES A FINISHED EDGE  
1/2" SOLID SURFACE



FRONT VIEW  
(2) 7 1/2x8 1/2 FRONTS



SIDE SECTION A

UNIT: # 413085  
DEALER: Guaranty RV  
SPECIAL: # 1356

PLEASE ACKNOWLEDGE AND DATE THE  
FOLLOWING ORDER/PRINT FOR APPROVAL  
TO BUILD, AND FAX TO NEWMAR (AT  
574-773-2895) AS SOON AS POSSIBLE

DATE: \_\_\_\_\_  
SIGN: \_\_\_\_\_

**NEWMAR CORP**  
P.O. Box 30,  
Nappanee, IN. 46550

Model:  
VL DP 4037

Sheet  
1 OF 1

Drawn by:  
Z. R.

Checked by:  
A. M.

Revision:

By:

Date:

Title:  
11 LAMP STAND

I.D. # 2017\  
SPECIALS\MOT\  
1356LAMP

Date:  
11/9/16

Date:  
11/14/16

Revision:

By:

Date:

UNITS: INCHES  
TITLE BLOCK: 1TB