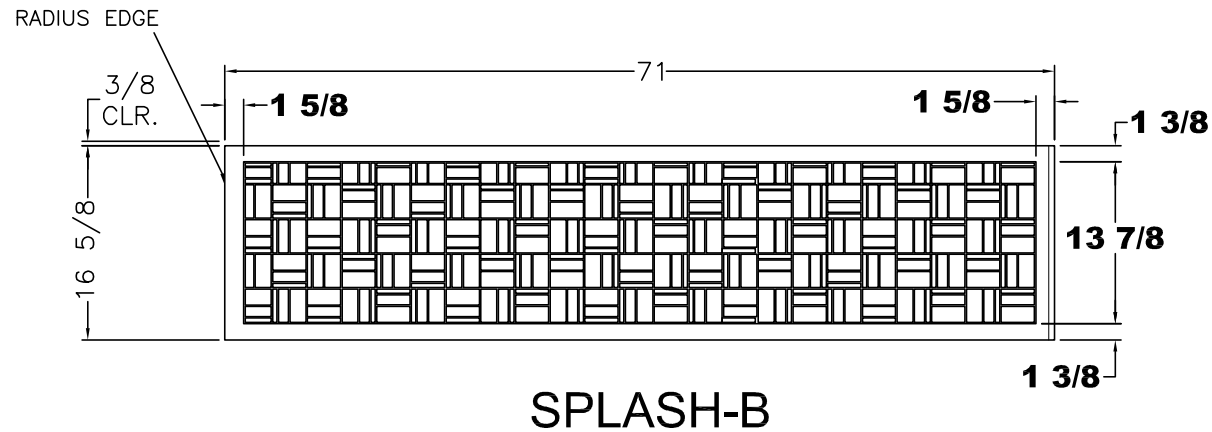


# 2017 LA DP BATH BACKSPLASH

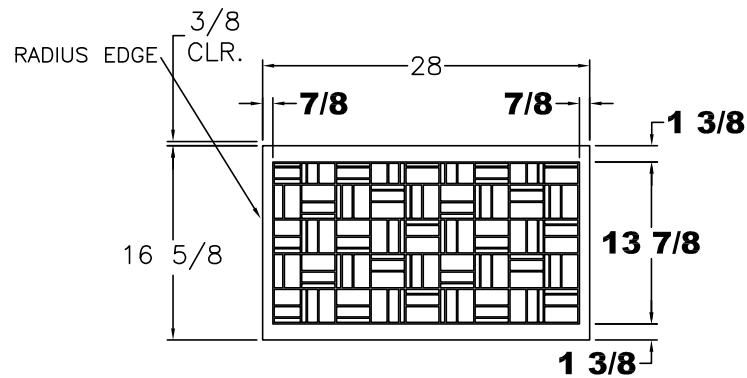
PLEASE ACKNOWLEDGE AND DATE THE FOLLOWING ORDER/PRINT FOR APPROVAL TO BUILD, AND FAX TO NEWMAR (AT 574-773-2895) AS SOON AS POSSIBLE

DATE: \_\_\_\_\_  
SIGN: \_\_\_\_\_

**SOLID DENOTES 3/8" RECESS FOR TILE INLAY**



**SPLASH-B**



**SPLASH-A**

UNIT: # 413100  
DEALER: Coachlight RV Sales  
SPECIAL: # 1431

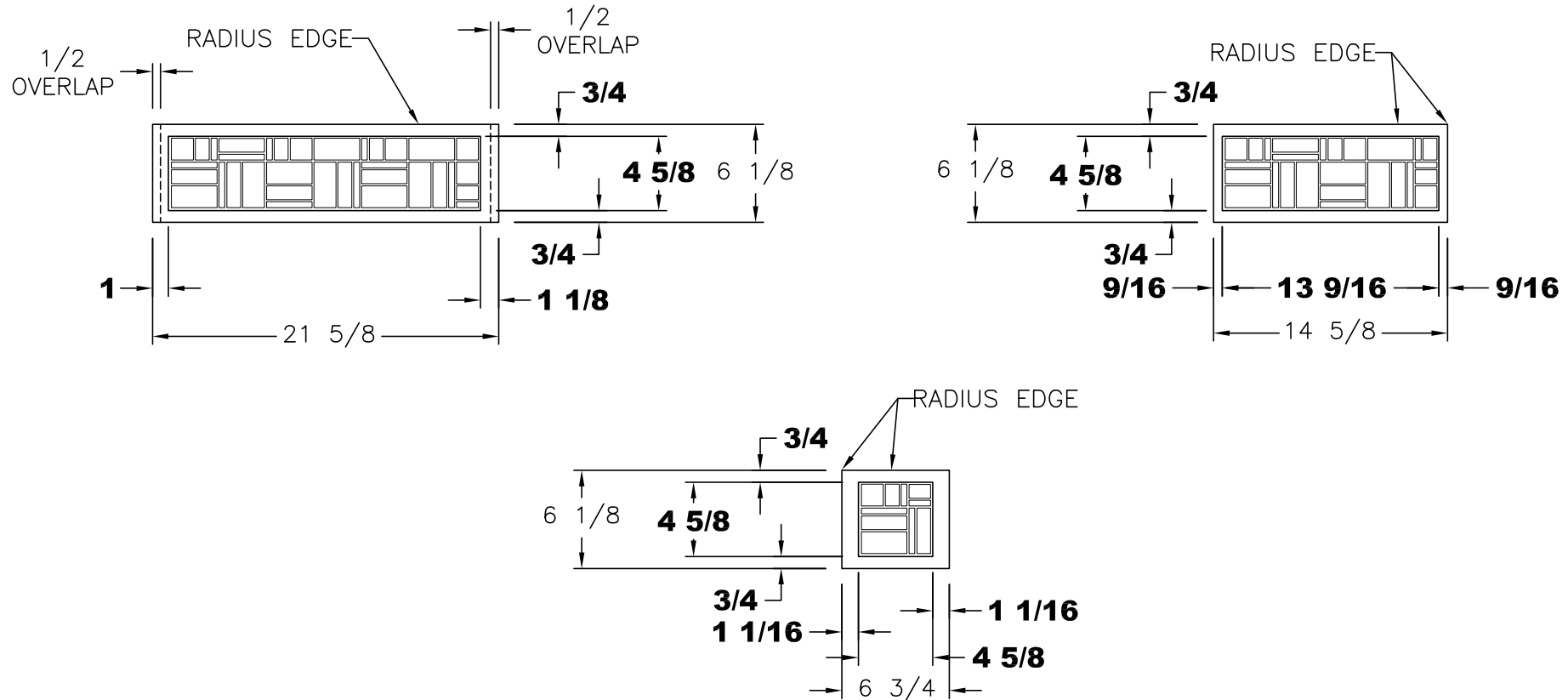
<b>NEWMAR CORP</b> P.O. Box 30, Nappanee, IN. 46550	Model:	Sheet	Drawn by:	Checked by:	Revision:	By:
	VT DP 3412	1 OF 1	Z. R.	A. M.		Date:
UNITS: INCHES	Title:	I.D. # 2017\	Date:	Date:	Revision:	By:
TITLE BLOCK: 75TB	71 7/8 KITCHEN CABINETS	SPECIALS\MOT\1431KT	12/14/16	12/15/16		Date:

# 2017 LA DP BACKSPLASH TILE

PLEASE ACKNOWLEDGE AND DATE THE FOLLOWING ORDER/PRINT FOR APPROVAL TO BUILD, AND FAX TO NEWMAR (AT 574-773-2895) AS SOON AS POSSIBLE

DATE: \_\_\_\_\_

SIGN: \_\_\_\_\_



UNIT: # 413100  
DEALER: Coachlight RV Sales  
SPECIAL: # 1431

CORIAN BACKSPLASH  
SOLID DENOTES  $\frac{3}{8}$ "  
RECESS FOR TILE INLAY

<b>NEWMAR CORP</b> P.O. Box 30, Nappanee, IN. 46550	Model:	Sheet	Drawn by:	Checked by:	Revision:	By:
	VT DP 3412	1 OF 1	Z. R.	A. M.		Date:
UNITS: INCHES	Title:	I.D. # 2017\	Date:	Date:	Revision:	By:
TITLE BLOCK: 1TB	21 5/8 LAV BASE & TOP	SPECIALS\MOT\ 1431LV	12/14/16	12/15/16		Date: