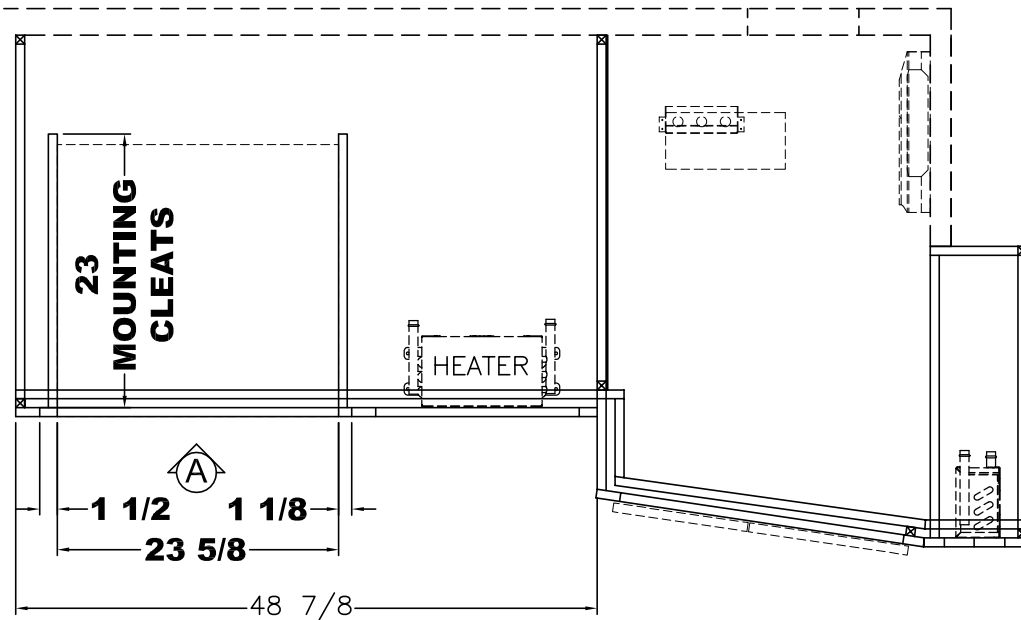


ITEM #	QTY	NEWMAR #	DESCRIPTION
1	1	134438	JBL 12V SUBWOOFER (J368)
2	1	120364	DISHWASHER

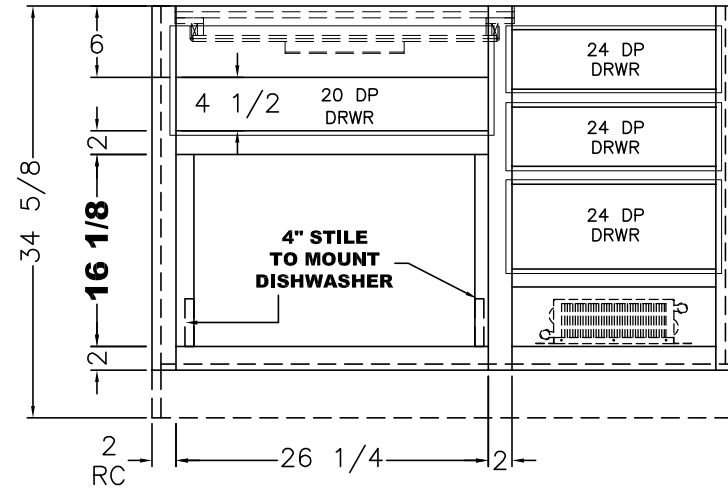
PLEASE ACKNOWLEDGE AND DATE THE FOLLOWING ORDER/PRINT FOR APPROVAL TO BUILD, AND FAX TO NEWMAR (AT 574-773-2895) AS SOON AS POSSIBLE

DATE: _____

SIGN: _____



PLAN
(H336/J520)



VIEW (A) (H336)(J520)

(2) 7 3/4x27 1/4 FRONTS (2) 5 3/4x18 1/8FRONTS
(1) 9 3/4x27 1/4 FRONT (1) 7 3/4x18 1/8 FRONT

UNIT: # 413131
DEALER: Midway RV Center
SPECIAL: # 1488

NEWMAR CORP P.O. Box 30, Nappanee, IN. 46550	Model: (J520)	Sheet	Drawn by:	Checked by:	Revision:	By:
	VT DP 3709	1 OF 1	Z. R.	A. M.		Date:
UNITS: INCHES	Title:	I.D. # 2017\	Date:	Date:	Revision:	By:
TITLE BLOCK: 75TB	76 7/8 KITCHEN CABINETS	SPECIALS\MOT\1488KT	12/27/16	12/27/16		Date: