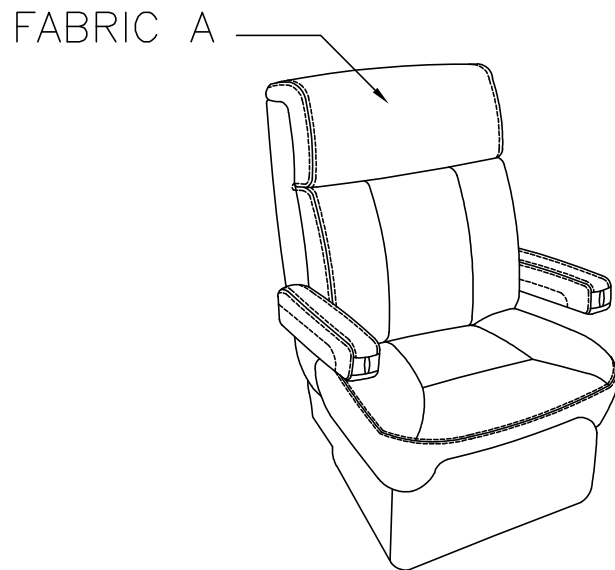
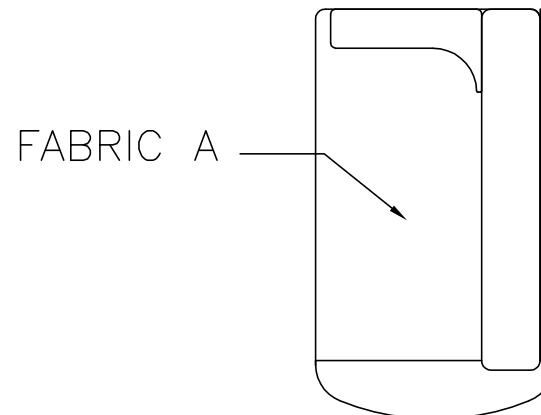


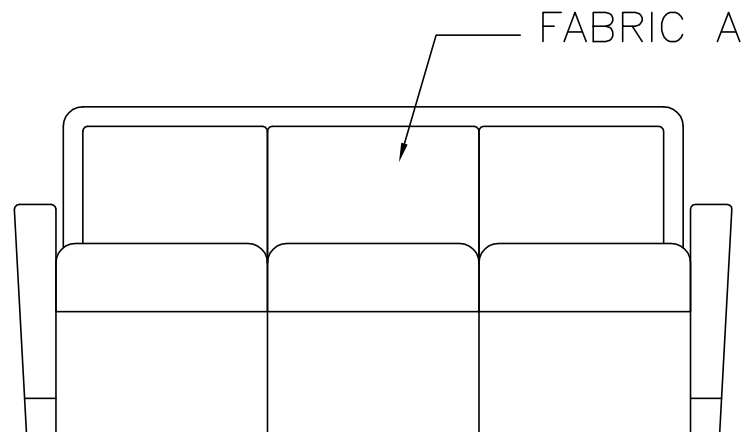
FABRIC LETTER	DECOR' NUMBER	DESCRIPTION
FABRIC "A"	VT17-320 "A"	STADA 703-32112 WOODLAND



DRIVER/PASSENGER



DINETTE



SOFA/FURNITURE

NOTE: GENERAL VISUAL REPRESENTATION OF INTERIOR COMPONENTS. NOT FOR DIMENSIONAL USE.

PLEASE ACKNOWLEDGE AND DATE THE FOLLOWING ORDER/PRINT FOR APPROVAL TO BUILD, AND FAX TO NEWMAR (AT 574-773-2895) AS SOON AS POSSIBLE

DATE: _____
SIGN: _____

UNIT: # 413168
DEALER: ANCIRA MOTORHOMES
SPECIAL: # 1607

NEWMAR CORP P.O. Box 30, Nappanee, IN. 46550	Model:	Sheet	Drawn by:	Checked by:	Revision:	By:
	VL DP 4002	1 OF 1	A. M.			Date:
UNITS: INCHES	Title: FABRIC CALL OUTS FURNITURE	I.D. # 2017\ SPECIALS\MOT\ 1607FAB	Date:	Date:	Revision:	By:
TITLE BLOCK: 1-5TB			3/30/17			Date: