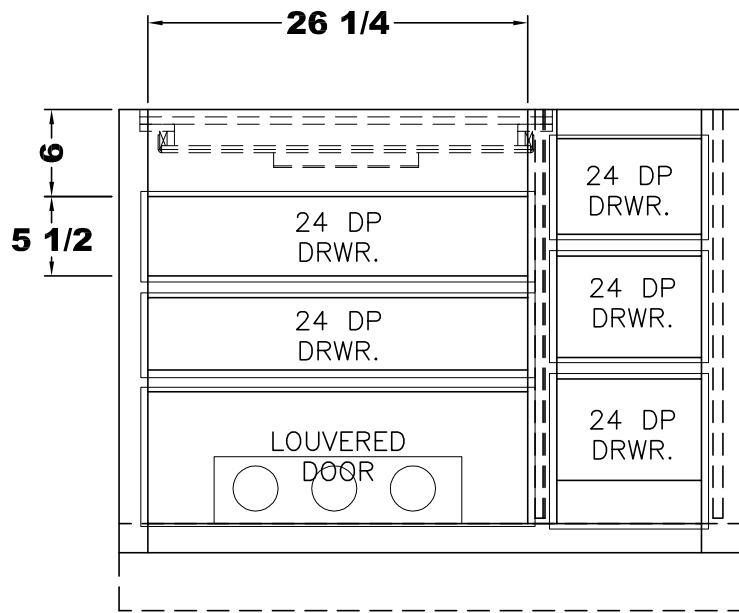


PLEASE ACKNOWLEDGE AND DATE THE FOLLOWING ORDER/PRINT FOR APPROVAL TO BUILD, AND FAX TO NEWMAR (AT 574-773-2895) AS SOON AS POSSIBLE
 DATE: _____
 SIGN: _____



VIEW (A)

(1) 6 1/4x27 1/4 FRONT
(1) 5 3/4x27 1/4 FRONT

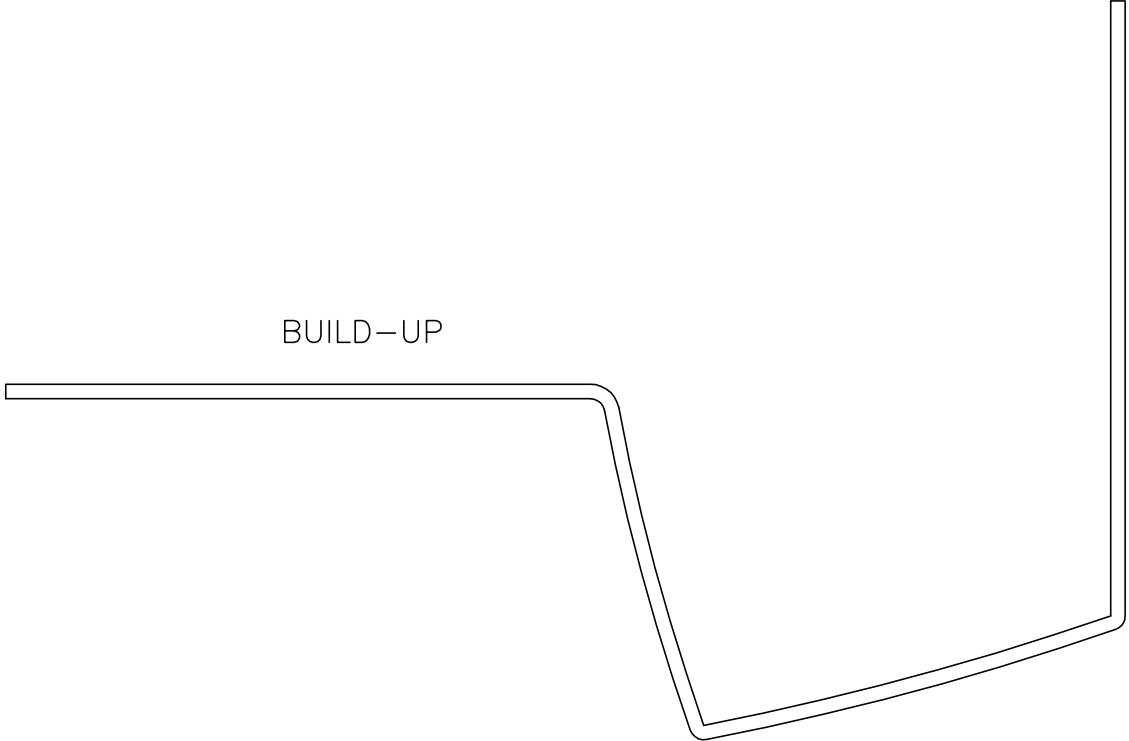
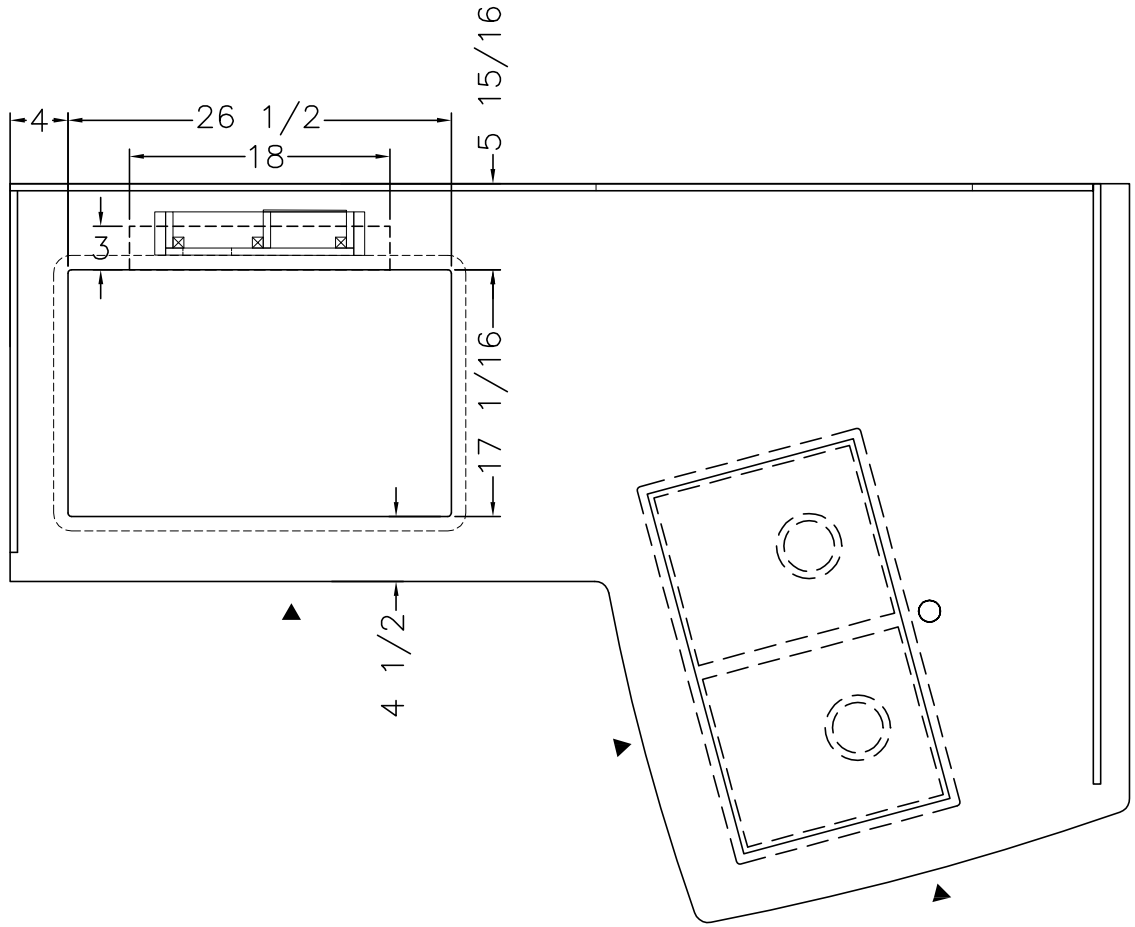
UNIT: # 413189
 DEALER: Steinbring Motorcoach
 SPECIAL: # 1565

NEWMAR CORP P.O. Box 30, Nappanee, IN. 46550 UNITS: INCHES TITLE BLOCK: 75TB	Model:	Sheet	Drawn by:	Checked by:	Revision:	By:
	VT DP 3436	1 OF 2	Z. R.	A. M.		Date:
	Title:	I.D. # 2017\	Date:	Date:	Revision:	By:
	76 1/8 KIT CABINETS	SPECIALS\MOT\ 1565KT	1/30/17	2/8/17		Date:

ITEM #	QTY	NEWMAR #	DESCRIPTION
1	1	132649	27x16 STAINLESS STEEL SINK
2	1	124108	COOKTOP TRUE INDUCTION 2 BURNER ELEC

PLEASE ACKNOWLEDGE AND DATE THE FOLLOWING ORDER/PRINT FOR APPROVAL TO BUILD, AND FAX TO NEWMAR (AT 574-773-2895) AS SOON AS POSSIBLE

DATE: _____
SIGN: _____



▶ - DENOTES A FINISHED EDGE
1/2" MATERIAL
SEE TYPICAL PRINT FOR COUNTER TOP APPLICATION

UNIT: # 413189
DEALER: Steinbring Motorcoach
SPECIAL: # 1565

NEWMAR CORP P.O. Box 30, Nappanee, IN. 46550	Model:	Sheet	Drawn by:	Checked by:	Revision:	By:
	VT DP 3436	2 OF 2	Z. R.	A. M.		Date:
UNITS: INCHES	Title:	I.D. # 2017\	Date:	Date:	Revision:	By:
TITLE BLOCK: 75TB	76 1/8 KIT CABINETS	SPECIALS\MOT\ 1565KT	1/30/17	2/8/17		Date: