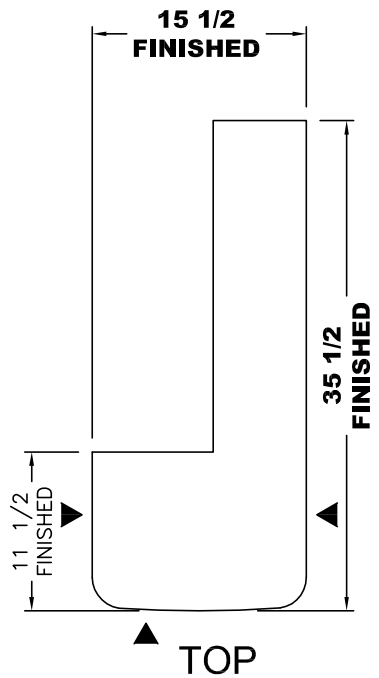


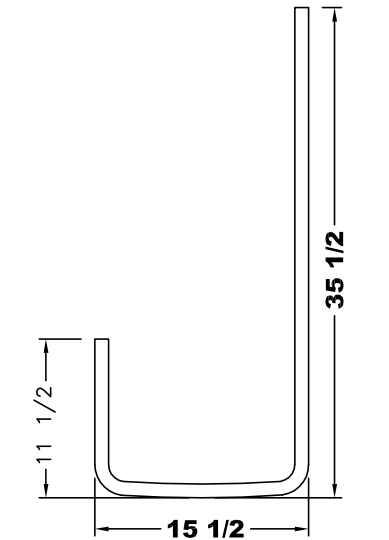
PLEASE ACKNOWLEDGE AND DATE THE FOLLOWING ORDER/PRINT FOR APPROVAL TO BUILD, AND FAX TO NEWMAR (AT 574-773-2895) AS SOON AS POSSIBLE
 DATE: _____
 SIGN: _____

UNIT: # 413248
 DEALER: Independence RV
 SPECIAL: # 1863

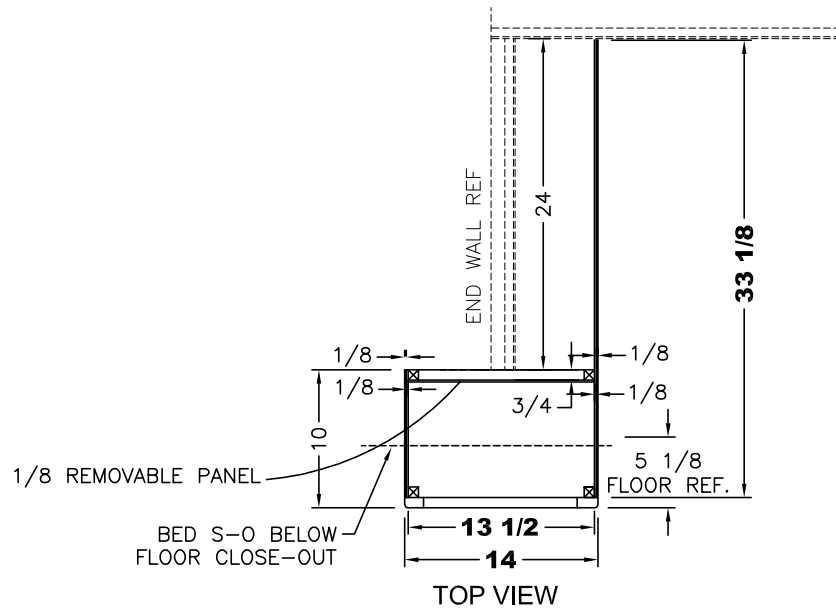
| | | | | | | |
|--|-------------------------------|-----------------------------------|-----------------|-------------------|-----------|-------|
| NEWMAR CORP P.O. Box 30, Nappanee, IN. 46550 UNITS: INCHES TITLE BLOCK: 1TB | Model: VL DP 4037 | Sheet 1 OF 3 | Drawn by: Z. R. | Checked by: A. M. | Revision: | By: |
| | Title: 85 1/2 BR S-O CABINETS | I.D. # 2017\ SPECIALS\MOT\ 1863CH | Date: 3/9/17 | Date: 3/9/17 | Revision: | Date: |
| | | | | | | By: |
| | | | | | | Date: |



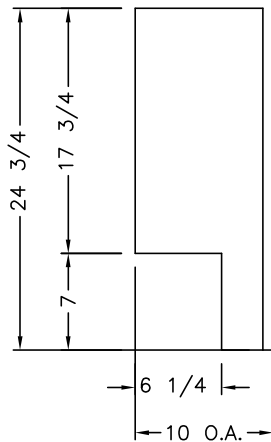
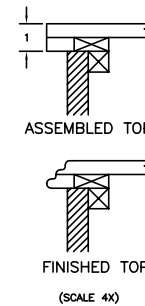
1/2" SOLID SURFACE TOP
 - DENOTES A FINISHED EDGE ▲



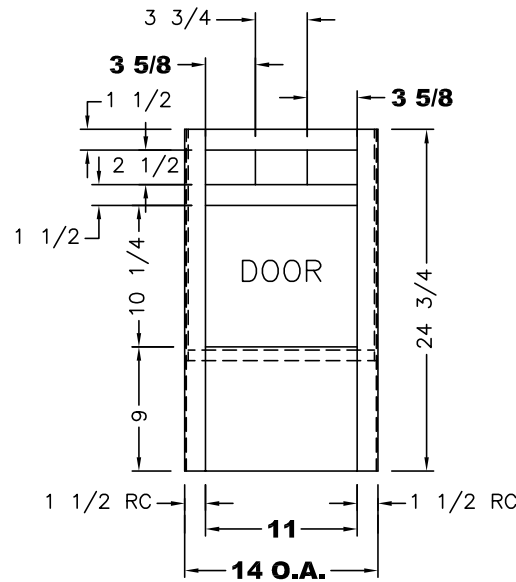
1/2" SOLID SURFACE EDGE
 (1) PIECE



TOP VIEW

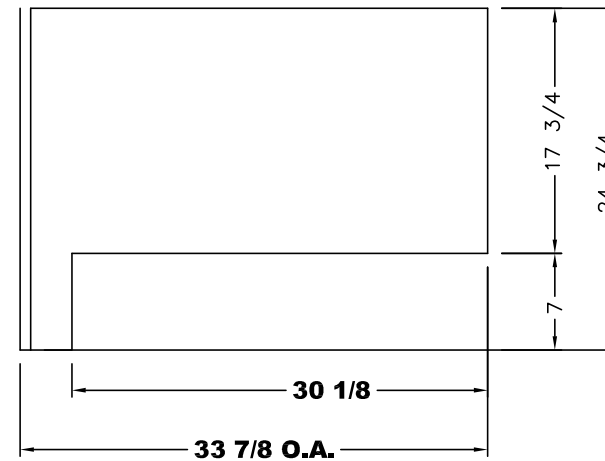


LT SIDE VIEW



FRONT VIEW

(1) 12 x 13 1/2 DOOR
(OVERSIZED @ BOTTOM)



RT SIDE VIEW

FRONT NIGHT STAND

PLEASE ACKNOWLEDGE AND DATE THE FOLLOWING ORDER/PRINT FOR APPROVAL TO BUILD, AND FAX TO NEWMAR (AT 574-773-2895) AS SOON AS POSSIBLE

DATE: _____
 SIGN: _____

UNIT: # 413248
 DEALER: Independence RV
 SPECIAL: # 1863

NEWMAR CORP
 P.O. Box 30,
 Nappanee, IN. 46550

Model: VL DP 4037
 Title: 85 1/2 BR S-O CABINETS

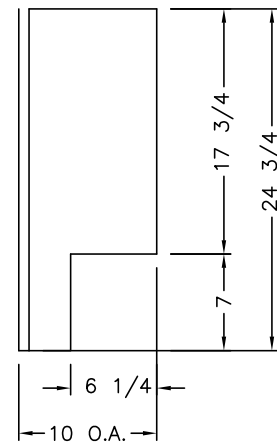
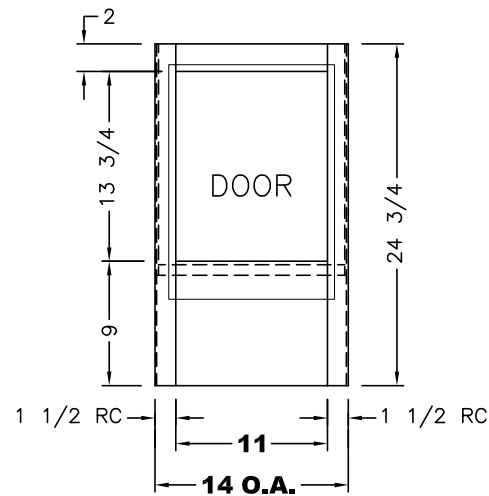
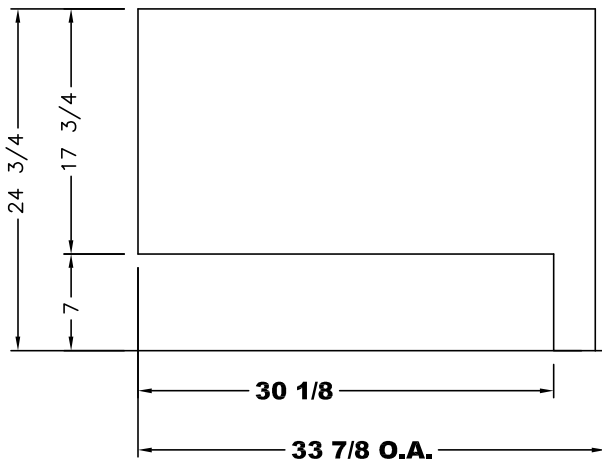
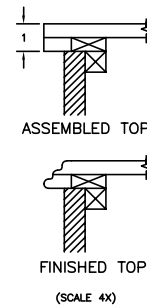
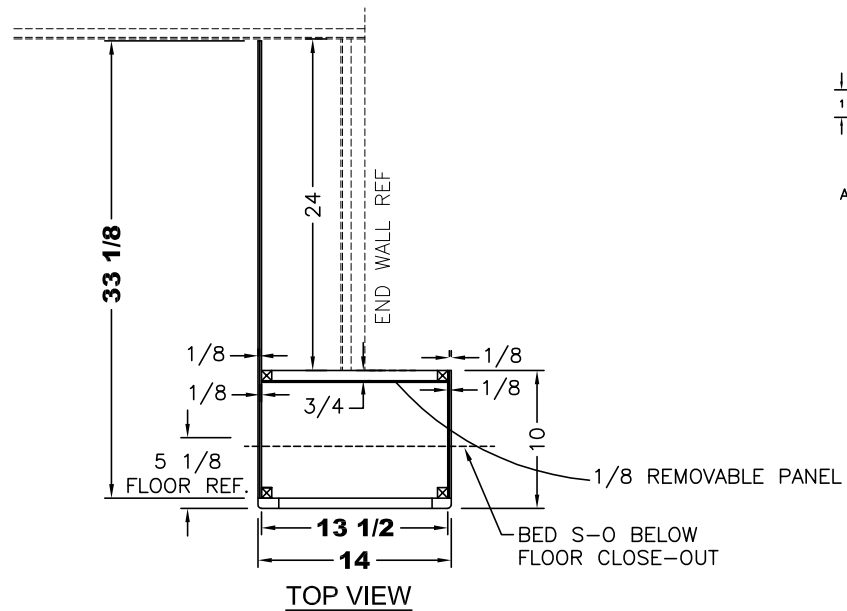
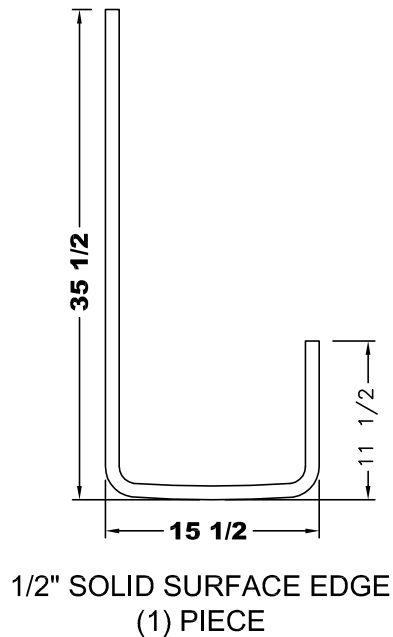
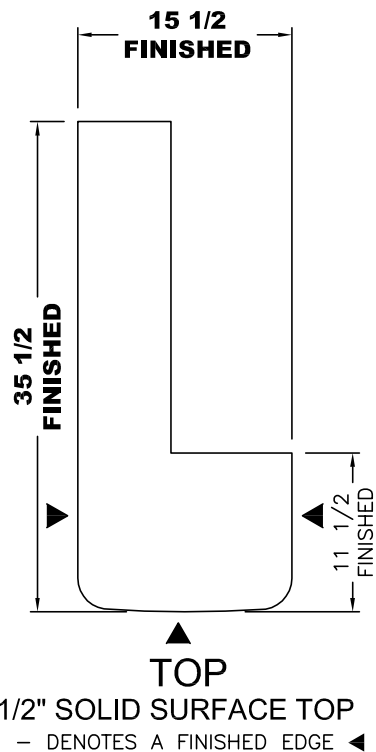
Sheet: 2 OF 3
 I.D. # 2017\ SPECIALS\MOT\ 1863CH

Drawn by: Z. R.
 Date: 3/9/17

Checked by: A. M.
 Date: 3/9/17

| | |
|-----------|-------|
| Revision: | By: |
| | Date: |
| Revision: | By: |
| | Date: |

UNITS: INCHES
 TITLE BLOCK: 1TB



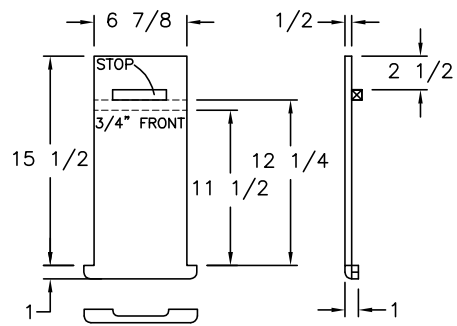
(1) 12 x 17 DOOR
(OVERSIZED @ BOTTOM)

REAR NIGHT STAND

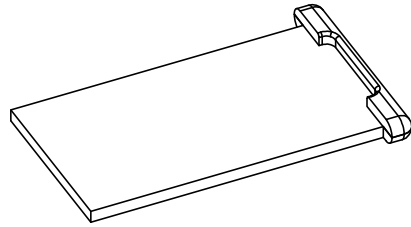
UNIT: # 413248
DEALER: Independence RV
SPECIAL: # 1863

PLEASE ACKNOWLEDGE AND DATE THE FOLLOWING ORDER/PRINT FOR APPROVAL TO BUILD, AND FAX TO NEWMAR (AT 574-773-2895) AS SOON AS POSSIBLE
DATE: _____
SIGN: _____

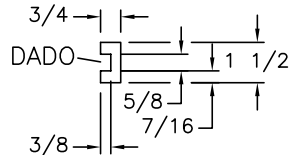
| | | | | | | |
|---|-------------------------------|---------------------------------------|-----------------|-------------------|-----------|-------|
| NEWMAR CORP P.O. Box 30, Nappanee, IN. 46550 | Model: VL DP 4037 | Sheet 3 OF 3 | Drawn by: Z. R. | Checked by: A. M. | Revision: | By: |
| | Title: 85 1/2 BR S-O CABINETS | I.D. # 2017 \ SPECIALS \ MOT \ 1863CH | Date: 3/9/17 | Date: 3/9/17 | Revision: | Date: |
| UNITS: INCHES | | | | | | By: |
| TITLE BLOCK: 1TB | | | | | | Date: |



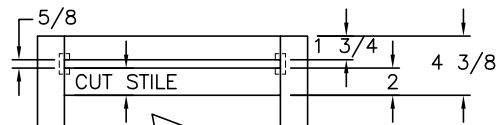
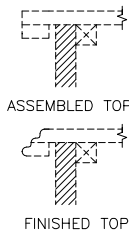
1/2 SOLID SURFACE
P-O SHELF



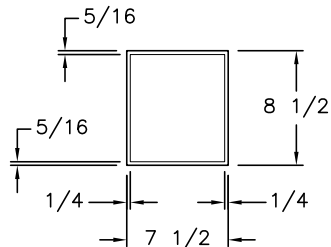
BOTTOM VIEW
(REFERENCE ONLY)



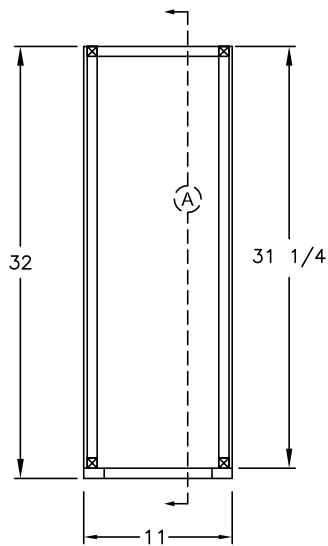
HARDWOOD
TRACK DETAIL
2X SCALE



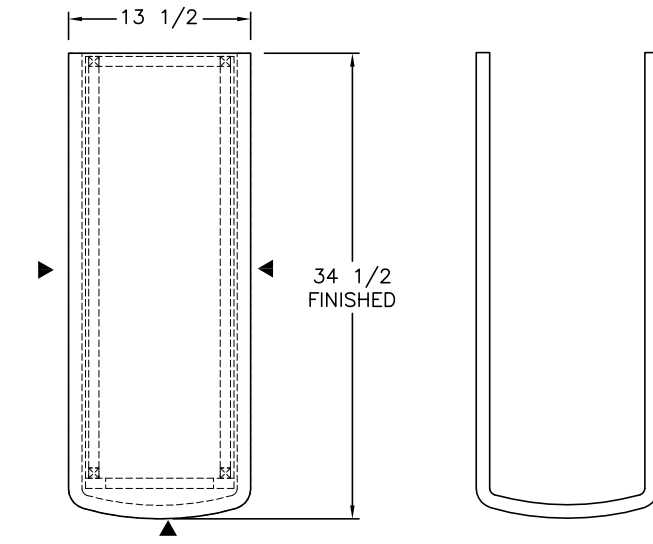
CABINET BASE FRONT VIEW



DOOR OVERLAY



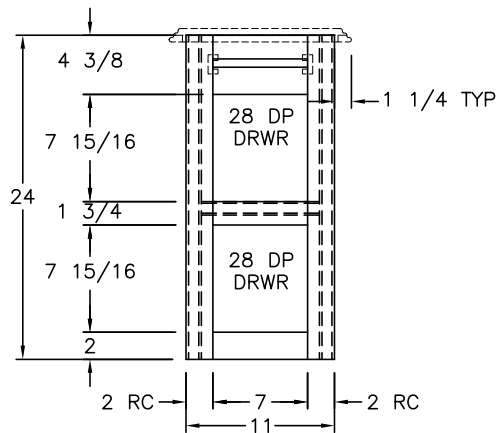
TOP VIEW



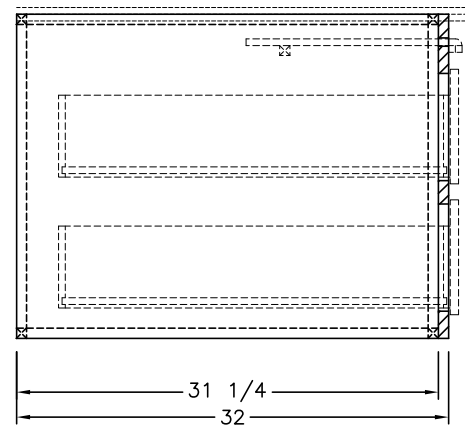
TOP VIEW

EDGE TRIM
(2) PIECES 1/2 MATERIAL

▶ - DENOTES A FINISHED EDGE
1/2" SOLID SURFACE



FRONT VIEW
(2) 7 1/2x8 1/2 FRONTS



SIDE SECTION (A)

UNIT: # 413248
DEALER: Independence RV
SPECIAL: # 1863

PLEASE ACKNOWLEDGE AND DATE THE
FOLLOWING ORDER/PRINT FOR APPROVAL
TO BUILD, AND FAX TO NEWMAR (AT
574-773-2895) AS SOON AS POSSIBLE

DATE: _____
SIGN: _____

NEWMAR CORP
P.O. Box 30,
Nappanee, IN. 46550

Model:
VL DP 4037

Sheet
1 OF 1

Drawn by:
Z. R.

Checked by:
A. M.

Revision:

By:

UNITS: INCHES
TITLE BLOCK: 1TB

Title:
11 LAMP STAND

I.D. # 2017\
SPECIALS\MOT\
1863LAMP

Date:
3/9/17

Date:
3/9/17

Revision:

By:

Date: