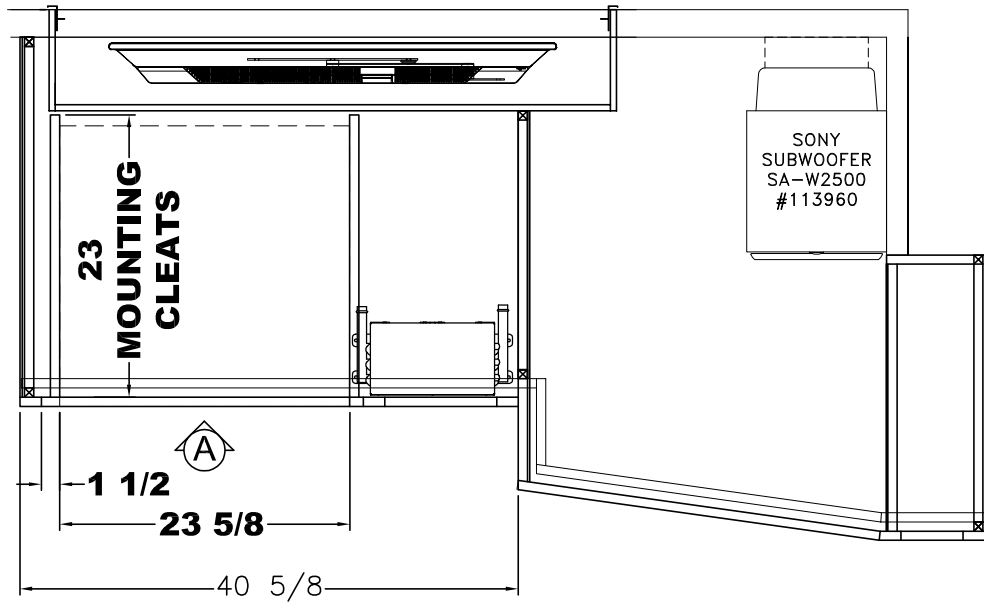


ITEM #	QTY	NEWMAR #	DESCRIPTION
1	1	113960	SONY SUB-WOOFER
2	1	138330	DISHWASHER

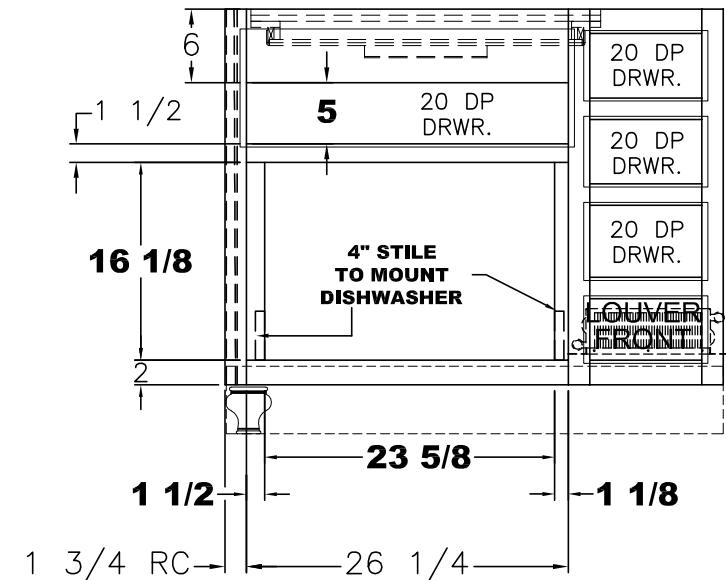
PLEASE ACKNOWLEDGE AND DATE THE FOLLOWING ORDER/PRINT FOR APPROVAL TO BUILD, AND FAX TO NEWMAR (AT 574-773-2895) AS SOON AS POSSIBLE

DATE: _____

SIGN: _____



PLAN
(J525)



VIEW (A) J550

(1) 9 5/8x27 1/4 FRONT

(2) 5 3/4x10 1/8 FRONTS

(1) 6 3/8x10 1/8 FRONT

UNIT: # 413267
DEALER: RCD Sales
SPECIAL: # 1935

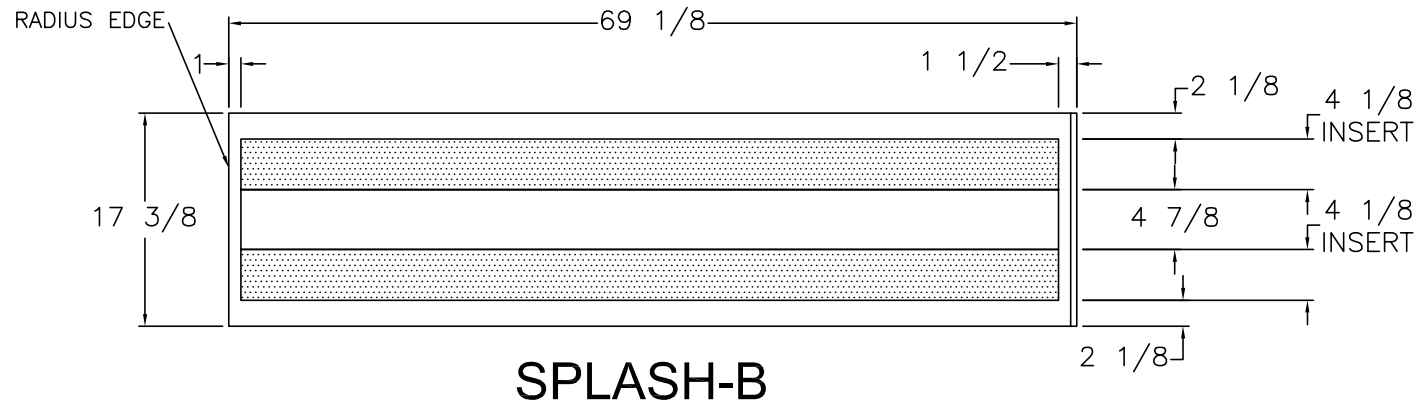
NEWMAR CORP P.O. Box 30, Nappanee, IN. 46550	Model: (J520)(J525)	Sheet	Drawn by:	Checked by:	Revision:	By:
	VT DP 4310	1 OF 2	Z. R.	A. M.		Date:
UNITS: INCHES	Title:	I.D. # 2017\	Date:	Date:	Revision:	By:
TITLE BLOCK: 75TB	70 5/8 KITCHEN CABINETS	SPECIALS\MOT\ 1935KT	3/30/17	4/3/17		Date:

2017 EX DP KITCHEN BACKSPLASH TILE (VT DP STYLE)

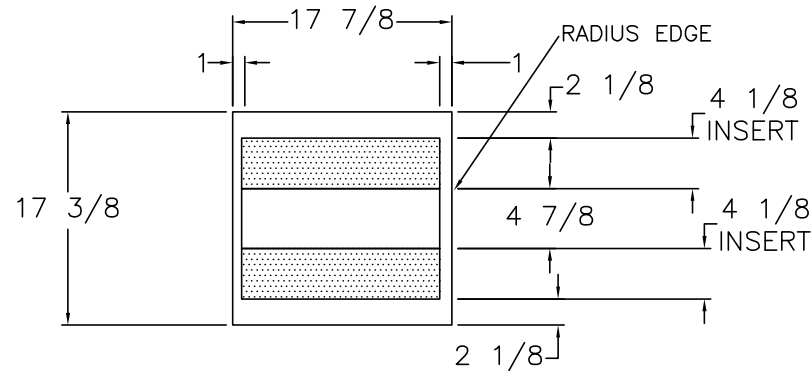
PLEASE ACKNOWLEDGE AND DATE THE FOLLOWING ORDER/PRINT FOR APPROVAL TO BUILD, AND FAX TO NEWMAR (AT 574-773-2895) AS SOON AS POSSIBLE

DATE: _____
SIGN: _____

SOLID DENOTES 3/8"
RECESS FOR TILE INLAY



SPLASH-B



SPLASH-A

UNIT: # 413267
DEALER: RCD Sales
SPECIAL: # 1935

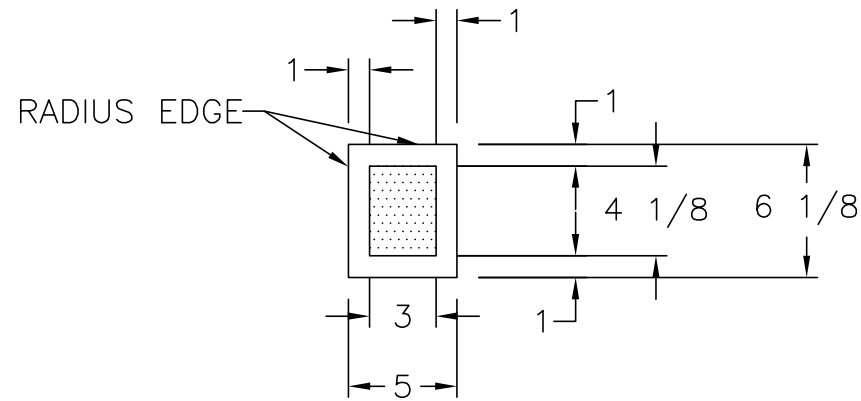
NEWMAR CORP P.O. Box 30, Nappanee, IN. 46550	Model:	Sheet	Drawn by:	Checked by:	Revision:	By:
	VT DP 4310	2 OF 2	Z. R.	A. M.		Date:
UNITS: INCHES	Title:	I.D. # 2017\	Date:	Date:	Revision:	By:
TITLE BLOCK: 75TB	70 5/8 KITCHEN CABINETS	SPECIALS\MOT\ 1935KT	3/30/17	4/3/17		Date:

2017 EX DP KITCHEN BACKSPLASH TILE

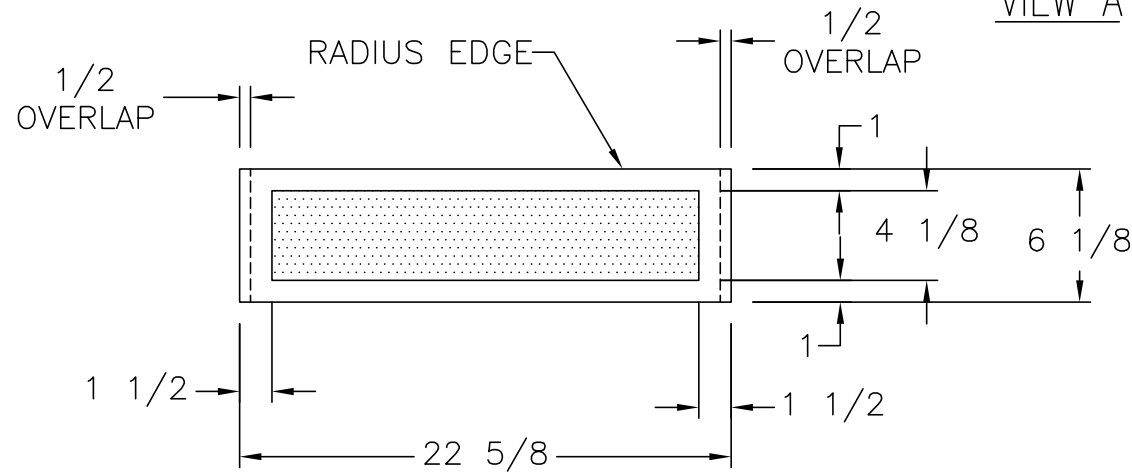
PLEASE ACKNOWLEDGE AND DATE THE FOLLOWING ORDER/PRINT FOR APPROVAL TO BUILD, AND FAX TO NEWMAR (AT 574-773-2895) AS SOON AS POSSIBLE

DATE: _____

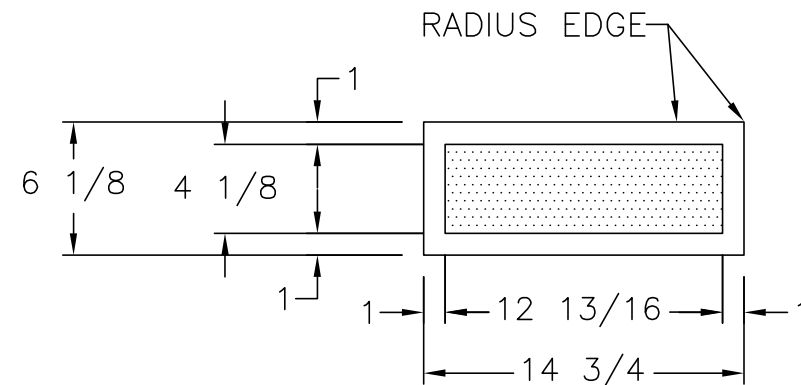
SIGN: _____



VIEW A



VIEW B



VIEW C

SOLID DENOTES 3/8"
RECESS FOR TILE INLAY

CORIAN BACKSPLASH

UNIT: # 413267
DEALER: RCD Sales
SPECIAL: # 1935

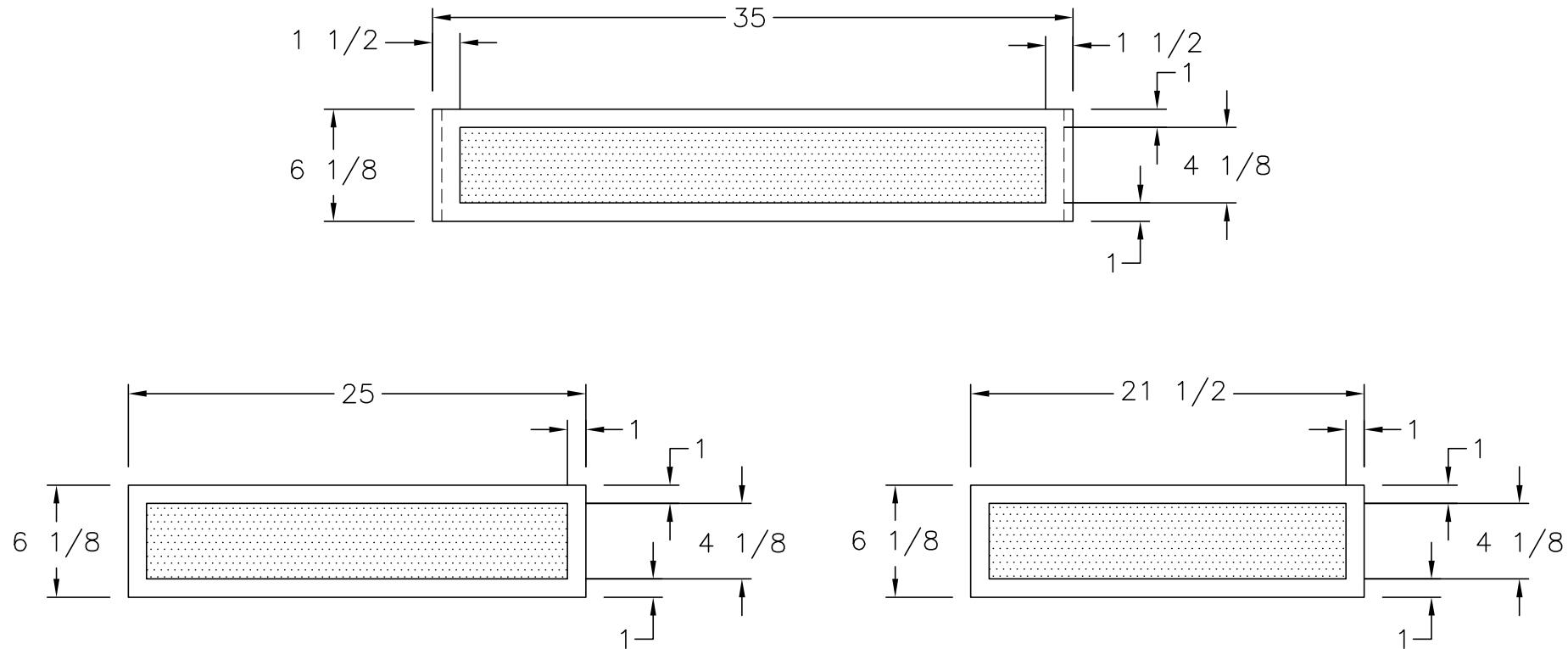
NEWMAR CORP P.O. Box 30, Nappanee, IN. 46550 UNITS: INCHES TITLE BLOCK: 1TB	Model:	Sheet	Drawn by:	Checked by:	Revision:	By:
	VT DP 4310	1 OF 1	Z. R.	A. M.		Date:
	Title:	I.D. # 2017\	Date:	Date:	Revision:	By:
	22 5/8 LAV BASE & TOP	SPECIALS\MOT\	3/30/17	4/3/17		Date:
		1935LV				

2017 EX DP KITCHEN BACKSPLASH TILE

PLEASE ACKNOWLEDGE AND DATE THE FOLLOWING ORDER/PRINT FOR APPROVAL TO BUILD, AND FAX TO NEWMAR (AT 574-773-2895) AS SOON AS POSSIBLE

DATE: _____

SIGN: _____



**SOLID DENOTES 3/8"
RECESS FOR TILE INLAY**

UNIT: # 413267
DEALER: RCD Sales
SPECIAL: # 1935

NEWMAR CORP P.O. Box 30, Nappanee, IN. 46550	Model:	Sheet	Drawn by:	Checked by:	Revision:	By:
	VT DP 4310	1 OF 1	Z. R.	A. M.		Date:
UNITS: INCHES	Title:	I.D. # 2017\	Date:	Date:	Revision:	By:
TITLE BLOCK: 1TB	35 3/4 LAV BASE & TOP	SPECIALS\MOT\	3/30/17	4/3/17		Date:
		1935LV1				