

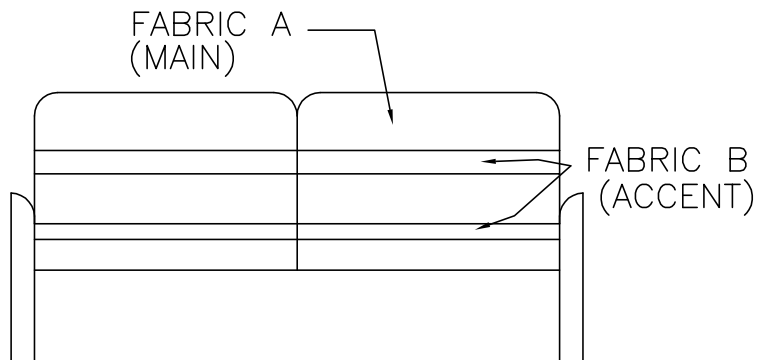
2018 NA DP TILE 11 11/16 x 23 5/8

PLEASE ACKNOWLEDGE AND DATE THE FOLLOWING ORDER/PRINT FOR APPROVAL TO BUILD, AND FAX TO NEWMAR (AT 574-773-2895) AS SOON AS POSSIBLE
 DATE: _____
 SIGN: _____

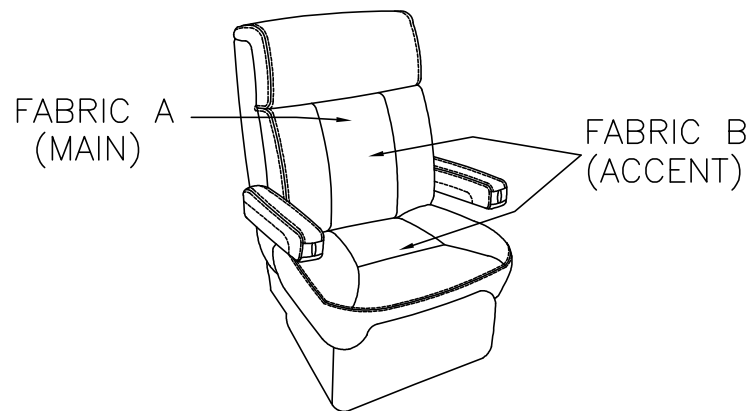
UNIT: # 413357
 DEALER: Pine Acres RV
 SPECIAL: # 436

| | | | | | | |
|---|----------------------|---------------|-----------|-------------|-----------|-------|
| NEWMAR CORP P.O. Box 30, Nappanee, IN. 46550 UNITS: INCHES TITLE BLOCK: 3125TB | Model: | Sheet | Drawn by: | Checked by: | Revision: | By: |
| | Title: | I.D. # 2018\ | Date: | Date: | Revision: | Date: |
| | VT DP 4369 | 1 OF 1 | Z. R. | A. M. | | |
| | STANDARD TILE LAYOUT | SPECIALS\MOT\ | 5/19/17 | 5/23/17 | | |
| | | 436TILE | | | | |

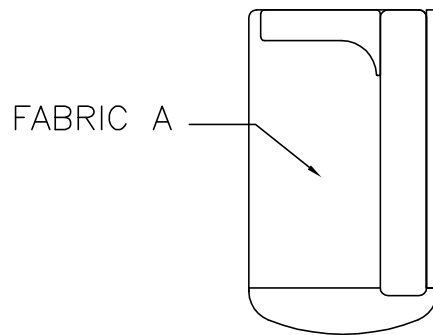
| FABRIC LETTER | DECOR' NUMBER | DESCRIPTION |
|---------------|---------------|-------------------------------|
| FABRIC "A" | DS18-280 "A" | STRADA 703-38772 OTTER |
| FABRIC "B" | VT18-330 "B" | STRADA 703-32382 CACHET CREAM |



SOFA/FURNITURE



DRIVER/PASSENGER



DINETTE

PLEASE ACKNOWLEDGE AND DATE THE FOLLOWING ORDER/PRINT FOR APPROVAL TO BUILD, AND FAX TO NEWMAR (AT 574-773-2895) AS SOON AS POSSIBLE

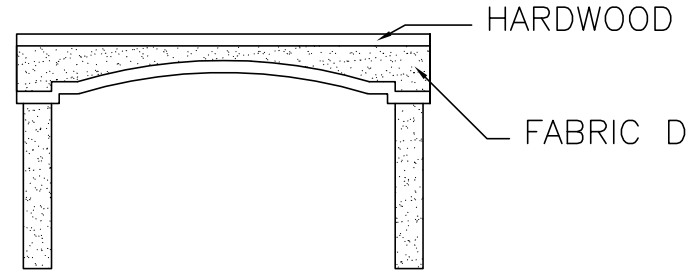
DATE: _____
SIGN: _____

UNIT: # 413357
DEALER: Pine Acres RV
SPECIAL: # 436

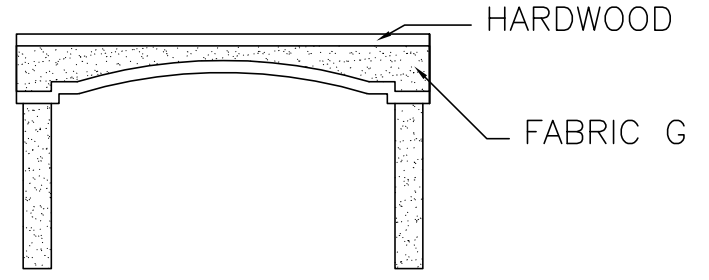
NOTE: GENERAL VISUAL REPRESENTATION OF INTERIOR COMPONENTS. NOT FOR DIMENSIONAL USE.

| | | | | | | |
|---|--------------------------------------|---|-----------|-------------|-----------|-------|
| NEWMAR CORP P.O. Box 30, Nappanee, IN. 46550 | Model: | Sheet | Drawn by: | Checked by: | Revision: | By: |
| | VT DP 4369 | 1 OF 1 | Z. R. | A. M. | | Date: |
| UNITS: INCHES | Title: FABRIC CALL OUTS FURNITURE | I.D. # 2018\ SPECIALS\MOT\ 436FAB | Date: | Date: | Revision: | By: |
| TITLE BLOCK: 1-5TB | | | 5/19/17 | 5/23/17 | | Date: |

| FABRIC LETTER | DECOR' NUMBER | DESCRIPTION |
|---------------|---------------|----------------|
| FABRIC "D" | VT18-330 "D" | WAGATI-FROST |
| FABRIC "G" | VT18-330 "G" | HARPER/B-BEIGE |



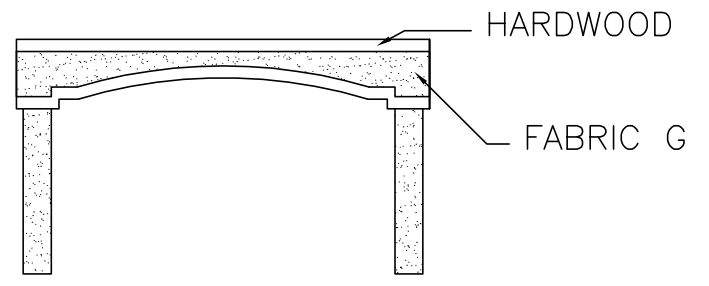
LIVINGROOM/KITCHEN



BEDROOM/BATHROOM

CORD USED ON WINDOW TREATMENT

PLEASE ACKNOWLEDGE AND DATE THE FOLLOWING ORDER/PRINT FOR APPROVAL TO BUILD, AND FAX TO NEWMAR (AT 574-773-2895) AS SOON AS POSSIBLE
 DATE: _____
 SIGN: _____



1/2 BATH

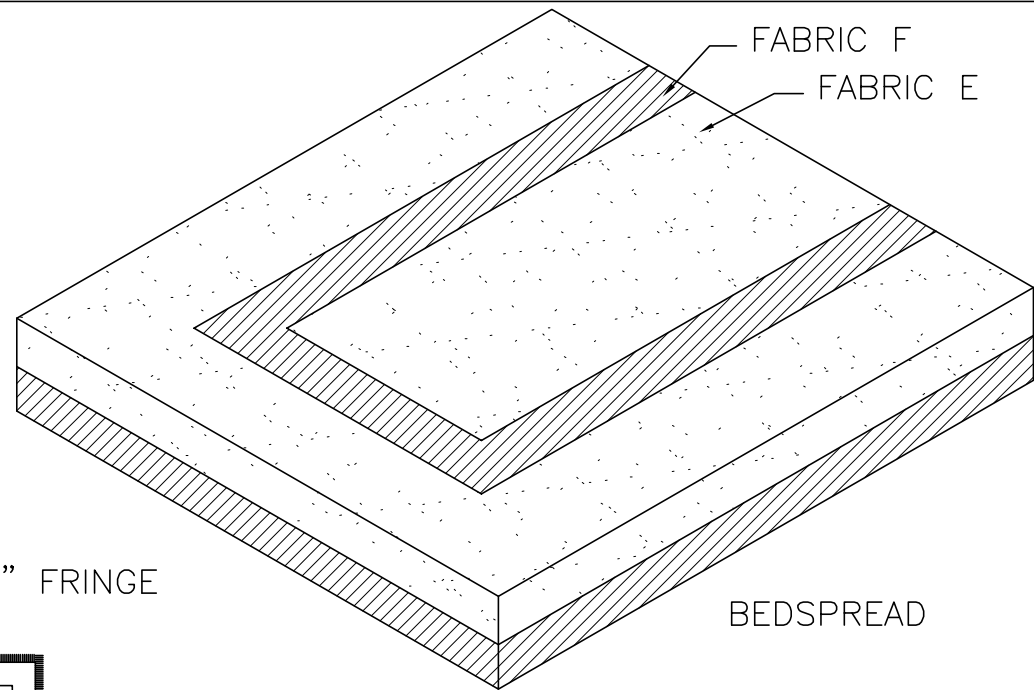
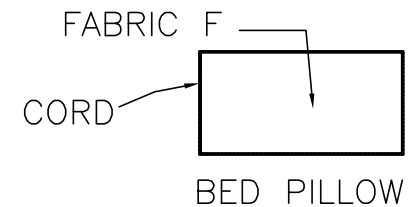
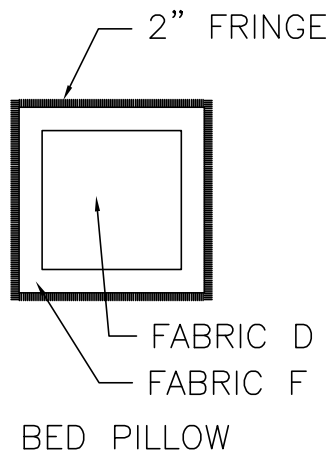
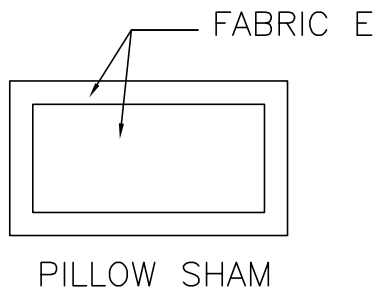
NOTE: GENERAL VISUAL REPRESENTATION OF INTERIOR COMPONENTS. NOT FOR DIMENSIONAL USE.

| | | | | | | |
|---|--|---|-----------|-------------|-----------|-------|
| NEWMAR CORP P.O. Box 30, Nappanee, IN. 46550 | Model: | Sheet | Drawn by: | Checked by: | Revision: | By: |
| | VT DP 4369 | 1 OF 1 | Z. R. | A. M. | | Date: |
| | Title: FABRIC CALL OUTS WINDOW TREATMENTS | I.D. # 2018\ SPECIALS\MOT\ 436FAB | Date: | Date: | Revision: | By: |
| UNITS: INCHES | | | 5/19/17 | 5/23/17 | | Date: |
| TITLE BLOCK: 1-5TB | | | | | | |

| FABRIC LETTER | DECOR' NUMBER | DESCRIPTION |
|---------------|-------------------|------------------------|
| FABRIC "D" | VT18-330 "D" | WAGATI-FROST |
| FABRIC "E" | VT18-330 "E" | SANTANA 300-PEARL |
| FABRIC "F" | VT18-330 "F" | SANTANA 500-PEARL |
| FRINGE | VT18-330 "FRINGE" | FRB06566-01-A MILKYWAY |
| CORD | VT18-330 "CORD" | CD06566-01-A MILKYWAY |

MAIN FABRIC - 

ACCENT FABRIC - 



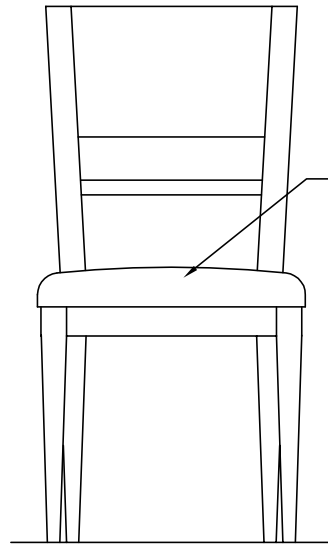
PLEASE ACKNOWLEDGE AND DATE THE FOLLOWING ORDER/PRINT FOR APPROVAL TO BUILD, AND FAX TO NEWMAR (AT 574-773-2895) AS SOON AS POSSIBLE
 DATE: _____
 SIGN: _____

UNIT: # 413357
 DEALER: Pine Acres RV
 SPECIAL: # 436

NOTE: GENERAL VISUAL REPRESENTATION OF INTERIOR COMPONENTS. NOT FOR DIMENSIONAL USE.

| | | | | | | |
|---|------------------------------------|---|-----------|-------------|-----------|-------|
| NEWMAR CORP P.O. Box 30, Nappanee, IN. 46550 | Model: | Sheet | Drawn by: | Checked by: | Revision: | By: |
| | VT DP 4369 | 1 OF 1 | Z. R. | A. M. | | Date: |
| UNITS: INCHES | Title: FABRIC CALL OUTS BEDROOM | I.D. # 2018\ SPECIALS\MOT\ 436FAB | Date: | Date: | Revision: | By: |
| TITLE BLOCK: 1-5TB | | | 5/19/17 | 5/23/17 | | Date: |

| FABRIC LETTER | DECOR' NUMBER | DESCRIPTION |
|---------------|---------------|-----------------|
| FABRIC "C" | VT18-330 "C" | TRUBRIDGE-SISAL |



FABRIC C

DINETTE CHAIR

PLEASE ACKNOWLEDGE AND DATE THE FOLLOWING ORDER/PRINT FOR APPROVAL TO BUILD, AND FAX TO NEWMAR (AT 574-773-2895) AS SOON AS POSSIBLE

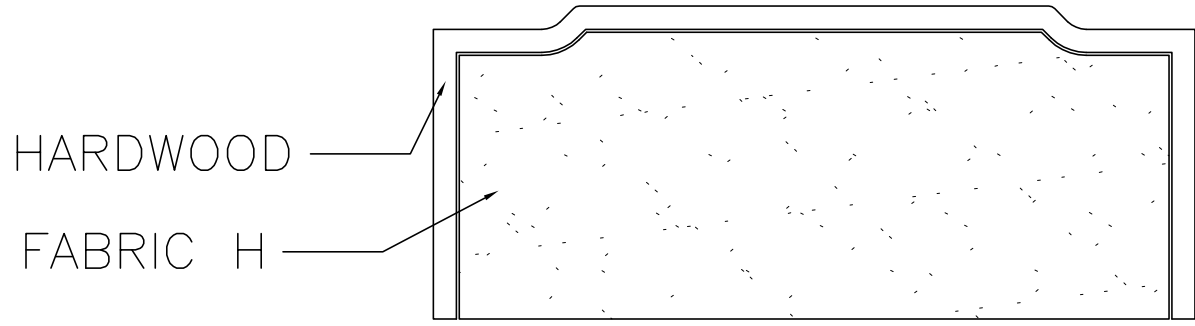
DATE: _____
SIGN: _____

UNIT: # 413357
DEALER: Pine Acres RV
SPECIAL: # 436

NOTE: GENERAL VISUAL REPRESENTATION OF INTERIOR COMPONENTS. NOT FOR DIMENSIONAL USE.

| | | | | | | |
|---|-------------------------|-------------------------|-----------|-------------|-----------|-------|
| NEWMAR CORP P.O. Box 30, Nappanee, IN. 46550 | Model: | Sheet | Drawn by: | Checked by: | Revision: | By: |
| | VT DP 4369 | 1 OF 1 | Z. R. | A. M. | | Date: |
| UNITS: INCHES | Title: FABRIC CALL OUTS | I.D. # 2018\ | Date: | Date: | Revision: | By: |
| TITLE BLOCK: 1-5TB | DINETTE CHAIR | SPECIALS\MOT\ 436FAB | 5/19/17 | 5/23/17 | | Date: |

| FABRIC LETTER | DECOR' NUMBER | DESCRIPTION |
|---------------|---------------|-------------------|
| FABRIC "H" | VT18-330 "H" | R-TUMBLER-MINERAL |



HEADBOARD

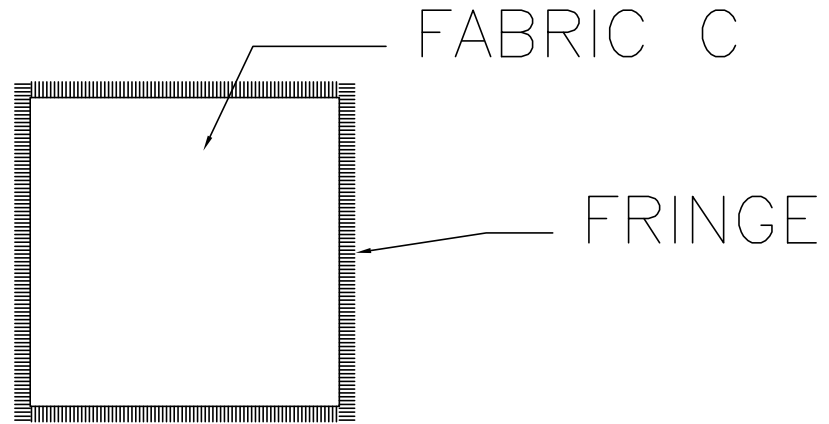
PLEASE ACKNOWLEDGE AND DATE THE FOLLOWING ORDER/PRINT FOR APPROVAL TO BUILD, AND FAX TO NEWMAR (AT 574-773-2895) AS SOON AS POSSIBLE
 DATE: _____
 SIGN: _____

UNIT: # 413357
 DEALER: Pine Acres RV
 SPECIAL: # 436

NOTE: GENERAL VISUAL REPRESENTATION OF INTERIOR COMPONENTS. NOT FOR DIMENSIONAL USE.

| | | | | | | |
|---|-------------------------|-------------------------|-----------|-------------|-----------|-------|
| NEWMAR CORP P.O. Box 30, Nappanee, IN. 46550 | Model: | Sheet | Drawn by: | Checked by: | Revision: | By: |
| | VT DP 4369 | 1 OF 1 | Z. R. | A. M. | | Date: |
| UNITS: INCHES | Title: FABRIC CALL OUTS | I.D. # 2018\ | Date: | Date: | Revision: | By: |
| TITLE BLOCK: 1-5TB | HEADBOARD | SPECIALS\MOT\ 436FAB | 5/19/17 | 5/23/17 | | Date: |

| FABRIC LETTER | DECOR' NUMBER | DESCRIPTION |
|---------------|-------------------|------------------------|
| FABRIC "C" | VT18-330 "C" | TRUBRIDGE-SISAL |
| FRINGE | VT18-330 "FRINGE" | FRB06566-01-A MILKYWAY |



SOFA PILLOW

PLEASE ACKNOWLEDGE AND DATE THE FOLLOWING ORDER/PRINT FOR APPROVAL TO BUILD, AND FAX TO NEWMAR (AT 574-773-2895) AS SOON AS POSSIBLE

DATE: _____
SIGN: _____

UNIT: # 413357
DEALER: Pine Acres RV
SPECIAL: # 436

NOTE: GENERAL VISUAL REPRESENTATION OF INTERIOR COMPONENTS. NOT FOR DIMENSIONAL USE.

| | | | | | | |
|---|--|---|--------------------|----------------------|-----------|-------|
| NEWMAR CORP P.O. Box 30, Nappanee, IN. 46550 | Model: VT DP 4369 | Sheet 1 OF 1 | Drawn by: Z. R. | Checked by: A. M. | Revision: | By: |
| | Title: FABRIC CALL OUTS SOFA PILLOW | I.D. # 2018\ SPECIALS\MOT\ 436FAB | Date: 5/19/17 | Date: 5/23/17 | Revision: | By: |
| UNITS: INCHES | | | | | | Date: |
| TITLE BLOCK: 1-5TB | | | | | | Date: |