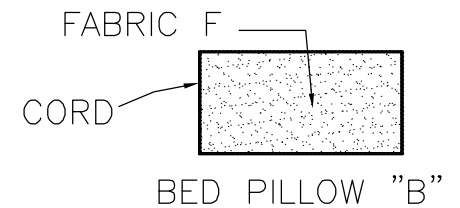
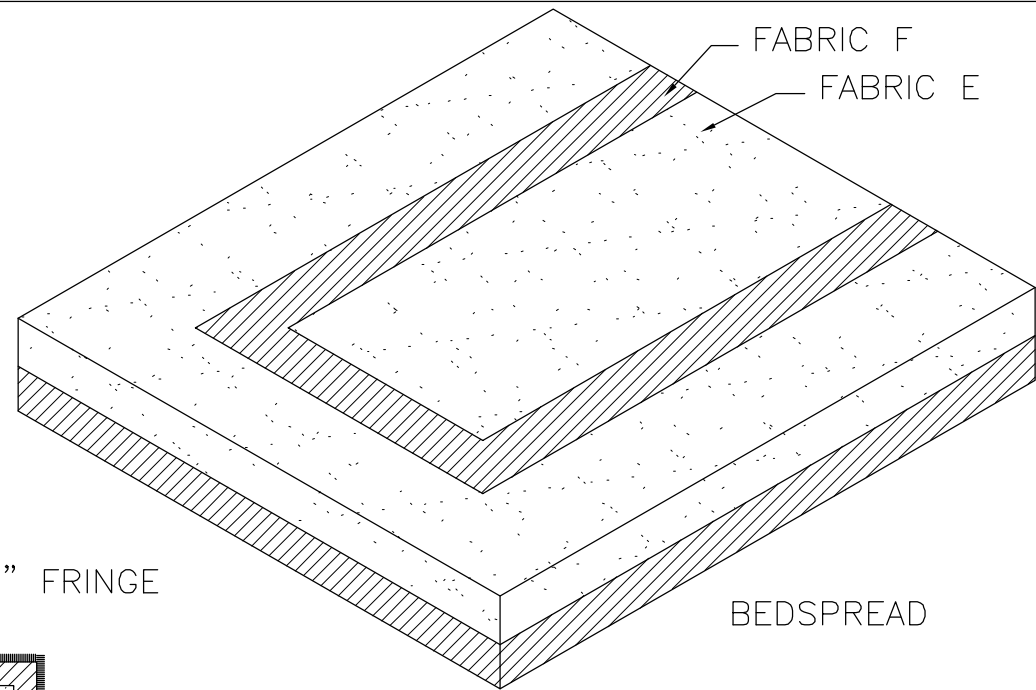
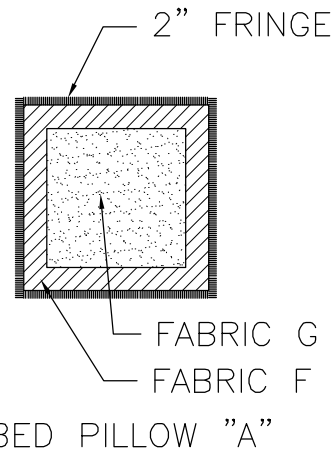
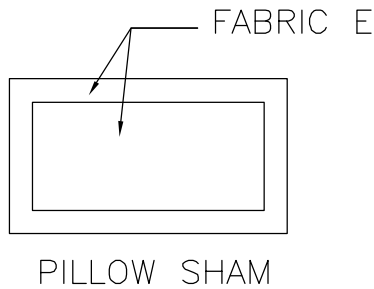


FABRIC LETTER	DECOR' NUMBER	DESCRIPTION
FABRIC "E"	VT19-340 "E"	KEY BLACK
FABRIC "F"	VT19-340 "F"	G3682 ASHFORD NATURAL
FABRIC "G"	VT19-340 "G"	BLACKWOOD BEAR
FRINGE (BR)	VT19-340 "FRINGE"	FRB06576-01-A OLIVE
CORD	VT19-340 "CORD"	CD06617-01-A POPYRUS

MAIN FABRIC - 

ACCENT FABRIC - 

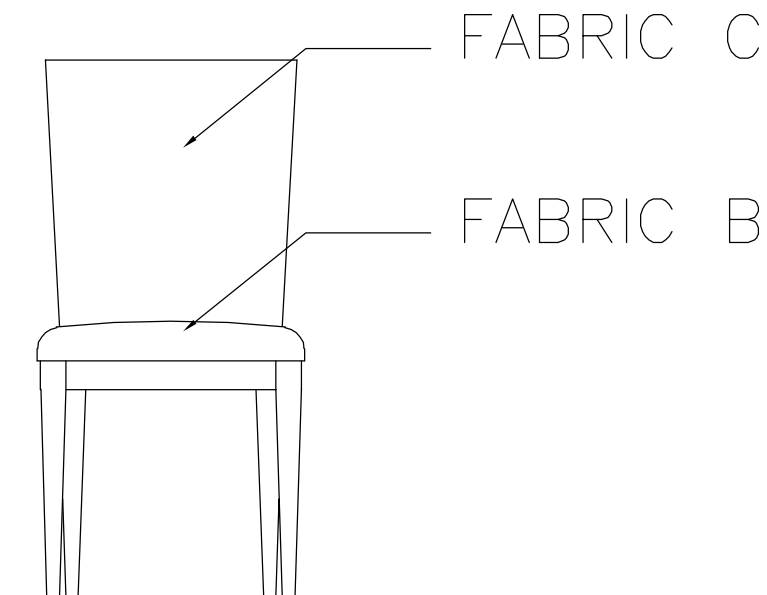


UNIT: # 413909
 DEALER: Ancira Motorhomes
 SPECIAL: # 129

NOTE: GENERAL VISUAL REPRESENTATION OF INTERIOR COMPONENTS. NOT FOR DIMENSIONAL USE.

NEWMAR CORP P.O. Box 30, Nappanee, IN. 46550	Model: VT DP 3717	Sheet 1 OF 1	Drawn by: R. N.	Checked by: Z. R.	Revision:	By:
	Title: FABRIC CALL OUTS BEDROOM	I.D. # 2019\ SPECIALS\MOT\ 129FAB	Date: 4/16/18	Date: 4/16/18	Revision:	By:
UNITS: INCHES						Date:
TITLE BLOCK: 1-5TB						Date:

FABRIC LETTER	DECOR' NUMBER	DESCRIPTION
FABRIC "B"	VT19-340 "B"	PRIMERA 700-56392 COAL
FABRIC "C"	VT19-340 "C"	BARTON SILVER



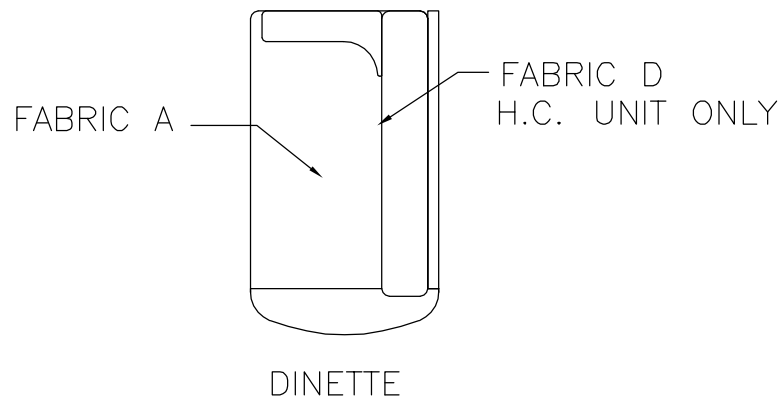
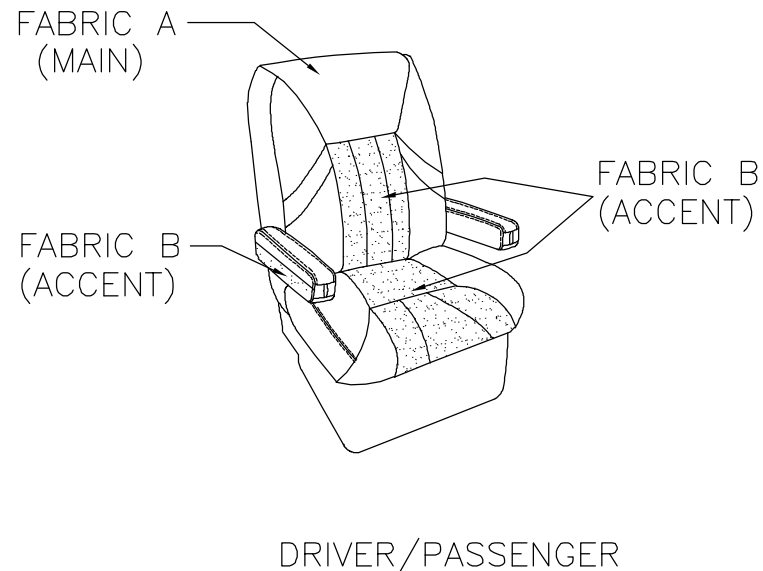
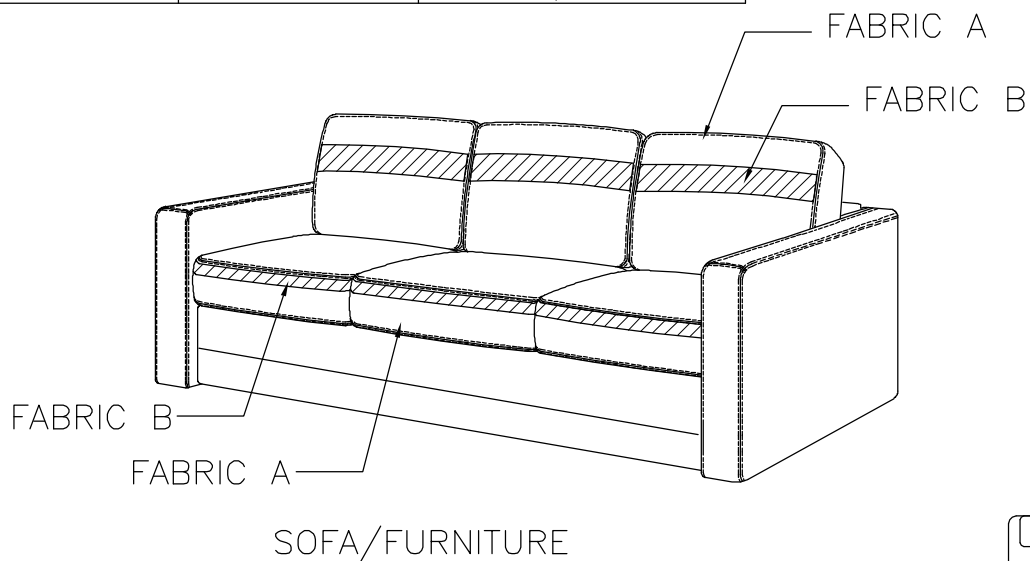
DINETTE CHAIR

UNIT: # 413909
 DEALER: Ancira Motorhomes
 SPECIAL: # 129

NOTE: GENERAL VISUAL REPRESENTATION OF INTERIOR COMPONENTS. NOT FOR DIMENSIONAL USE.

NEWMAR CORP P.O. Box 30, Nappanee, IN. 46550	Model:	Sheet	Drawn by:	Checked by:	Revision:	By:
	VT DP 3717	1 OF 1	R. N.	Z. R.		Date:
UNITS: INCHES	Title: FABRIC CALL OUTS DINETTE CHAIR	I.D. # 2019\ SPECIALS\MOT\ 129FAB	Date:	Date:	Revision:	By:
TITLE BLOCK: 1-5TB			4/16/18	4/16/18		Date:

FABRIC LETTER	DECOR' NUMBER	DESCRIPTION
FABRIC "A"	VT19-340 "A"	PRIMERA 700-34332 FOSSIL
FABRIC "B"	VT19-340 "A"	PRIMERA 700-34332 FOSSIL
FABRIC "D"	VT19-340 "D"	BONITA/B SLATE

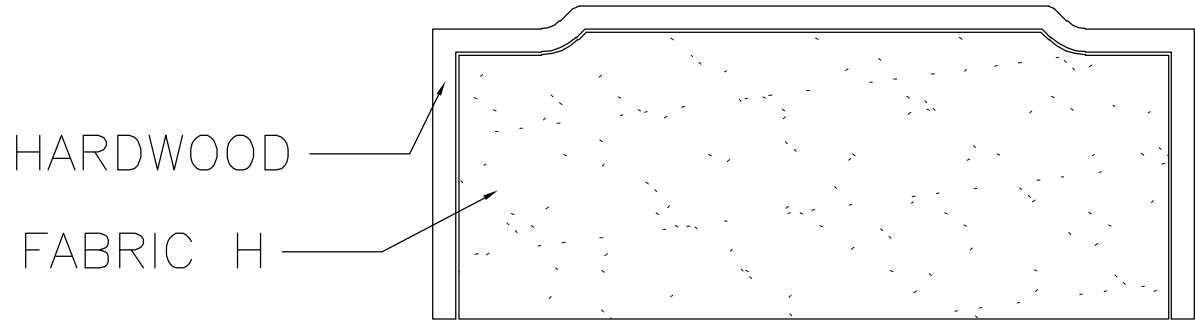


UNIT: # 413909
 DEALER: Ancira Motorhomes
 SPECIAL: # 129

NOTE: GENERAL VISUAL REPRESENTATION OF INTERIOR COMPONENTS. NOT FOR DIMENSIONAL USE.

NEWMAR CORP P.O. Box 30, Nappanee, IN. 46550	Model:	Sheet	Drawn by:	Checked by:	Revision:	By:
	VT DP 3717	1 OF 1	R. N.	Z. R.		Date:
UNITS: INCHES	Title: FABRIC CALL OUTS	I.D. # 2019\	Date:	Date:	Revision:	By:
TITLE BLOCK: 1-5TB	FURNITURE	SPECIALS\MOT\	4/16/18	4/16/18		Date:
		129FAB				

FABRIC LETTER	DECOR' NUMBER	DESCRIPTION
FABRIC "H"	VT19-340 "H"	SHIMMER ALABASTER



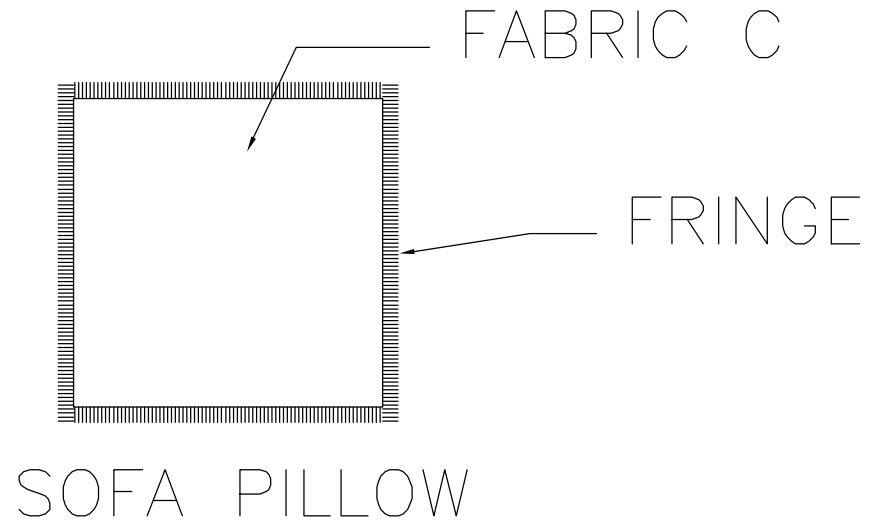
HEADBOARD

UNIT: # 413909
 DEALER: Ancira Motorhomes
 SPECIAL: # 129

NOTE: GENERAL VISUAL REPRESENTATION OF INTERIOR COMPONENTS. NOT FOR DIMENSIONAL USE.

NEWMAR CORP P.O. Box 30, Nappanee, IN. 46550	Model:	Sheet	Drawn by:	Checked by:	Revision:	By:
	VT DP 3717	1 OF 1	R. N.	Z. R.		Date:
UNITS: INCHES	Title: FABRIC CALL OUTS HEADBOARD	I.D. # 2019\ SPECIALS\MOT\ 129FAB	Date:	Date:	Revision:	By:
TITLE BLOCK: 1-5TB			4/16/18	4/16/18		Date:

FABRIC LETTER	DECOR' NUMBER	DESCRIPTION
FABRIC "C"	VT19-340 "C"	BARTON SILVER
FRINGE (LR)	VT19-340 "FRINGE"	VICTORIA MIDNIGHT

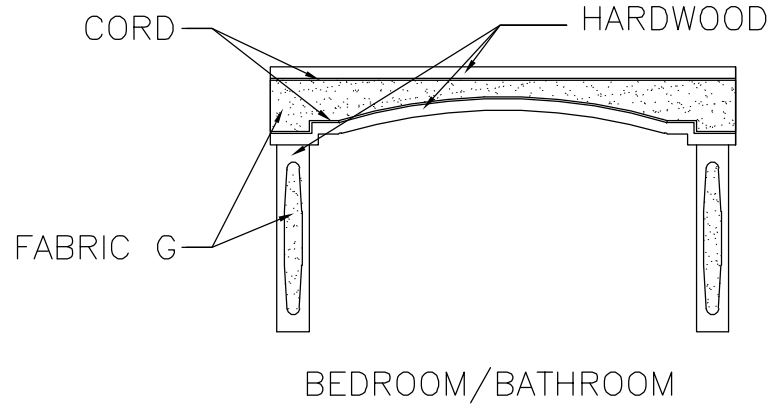
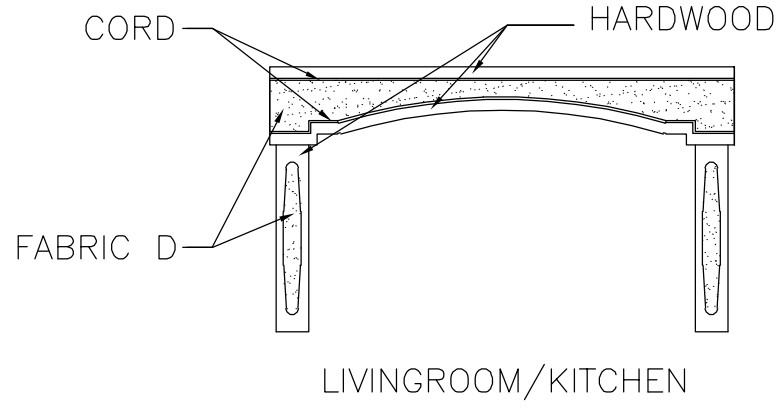


UNIT: # 413909
 DEALER: Ancira Motorhomes
 SPECIAL: # 129

NOTE: GENERAL VISUAL REPRESENTATION OF INTERIOR COMPONENTS. NOT FOR DIMENSIONAL USE.

NEWMAR CORP P.O. Box 30, Nappanee, IN. 46550	Model:	Sheet	Drawn by:	Checked by:	Revision:	By:
	VT DP 3717	1 OF 1	R. N.	Z. R.		Date:
	Title: FABRIC CALL OUTS SOFA PILLOW	I.D. # 2019\ SPECIALS\MOT\ 129FAB	Date:	Date:	Revision:	By:
UNITS: INCHES			4/16/18	4/16/18		Date:
TITLE BLOCK: 1-5TB						

FABRIC LETTER	DECOR' NUMBER	DESCRIPTION
FABRIC "D"	VT19-340 "D"	BONITA/B SLATE
FABRIC "G"	VT19-340 "G"	BLACKWOOD BEAR
CORD	VT19-340 "CORD"	CD06617-01-A PAPYRUS



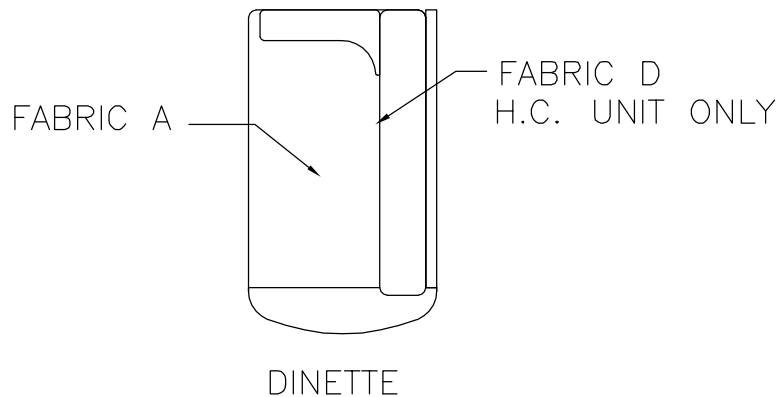
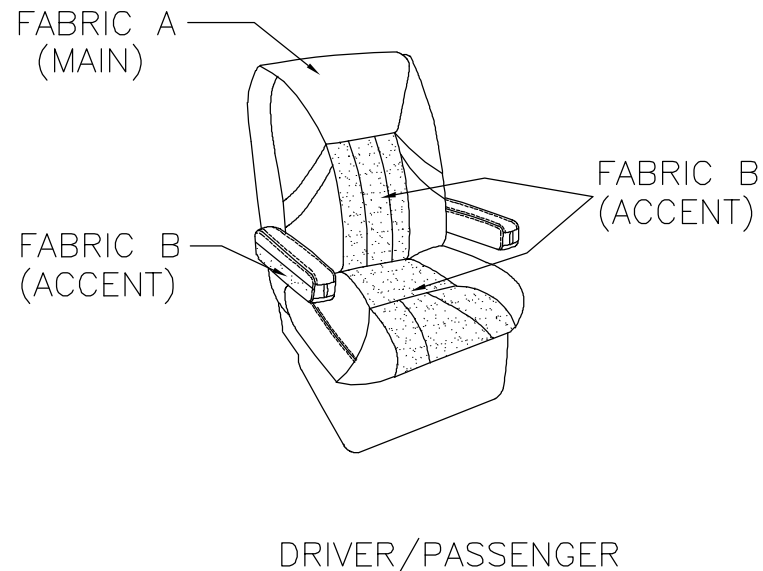
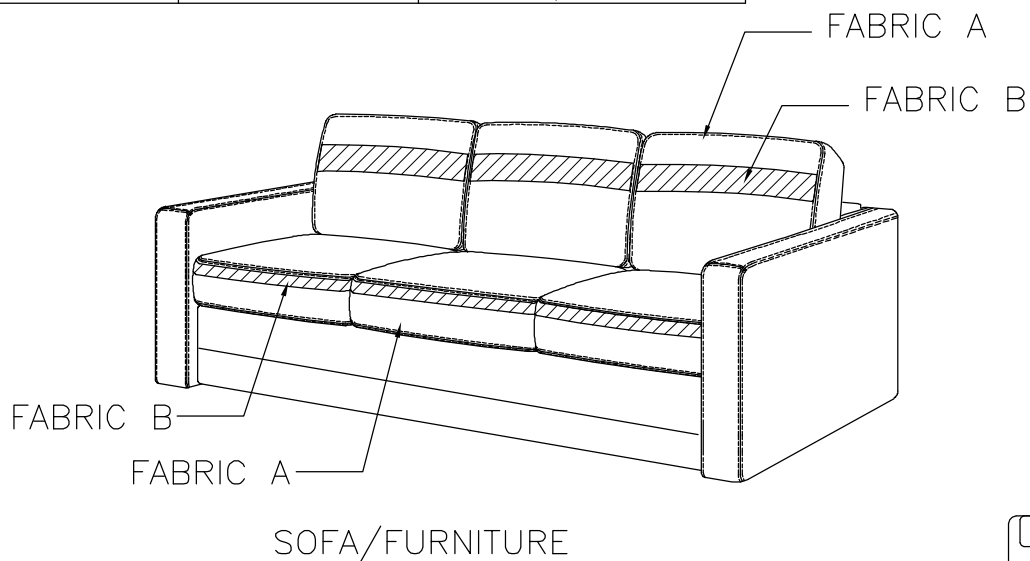
MAIN FABRIC —
 ACCENT FABRIC —

UNIT: # 413909
 DEALER: Ancira Motorhomes
 SPECIAL: # 129

NOTE: GENERAL VISUAL REPRESENTATION OF INTERIOR COMPONENTS. NOT FOR DIMENSIONAL USE.

NEWMAR CORP P.O. Box 30, Nappanee, IN. 46550 UNITS: INCHES TITLE BLOCK: 1-5TB	Model: VT DP 3717	Sheet 1 OF 1	Drawn by: R. N.	Checked by: Z. R.	Revision:	By:
	Title: FABRIC CALL OUTS WINDOW TREATMENTS	I.D. # 2019\ SPECIALS\MOT\ 129FAB	Date: 4/16/18	Date: 4/16/18	Revision:	By:
						Date:

FABRIC LETTER	DECOR' NUMBER	DESCRIPTION
FABRIC "A"	VT19-340 "A"	PRIMERA 700-34332 FOSSIL
FABRIC "B"	VT19-340 "A"	PRIMERA 700-34332 FOSSIL
FABRIC "D"	VT19-340 "D"	BONITA/B SLATE



PLEASE ACKNOWLEDGE AND DATE THE FOLLOWING ORDER/PRINT FOR APPROVAL TO BUILD, AND FAX TO NEWMAR (AT 574-773-2895) AS SOON AS POSSIBLE

DATE: _____

SIGN: _____

UNIT: # 413909
 DEALER: Ancira Motorhomes
 SPECIAL: # 129

NOTE: GENERAL VISUAL REPRESENTATION OF INTERIOR COMPONENTS. NOT FOR DIMENSIONAL USE.

NEWMAR CORP P.O. Box 30, Nappanee, IN. 46550	Model: VT DP 3717	Sheet 1 OF 1	Drawn by: R. N.	Checked by: Z. R.	Revision:	By:
	Title: FABRIC CALL OUTS FURNITURE	I.D. # 2019\ SPECIALS\MOT\ 129FAB	Date: 4/16/18	Date: 4/16/18	Revision:	By:
UNITS: INCHES						Date:
TITLE BLOCK: 1-5TB						Date: