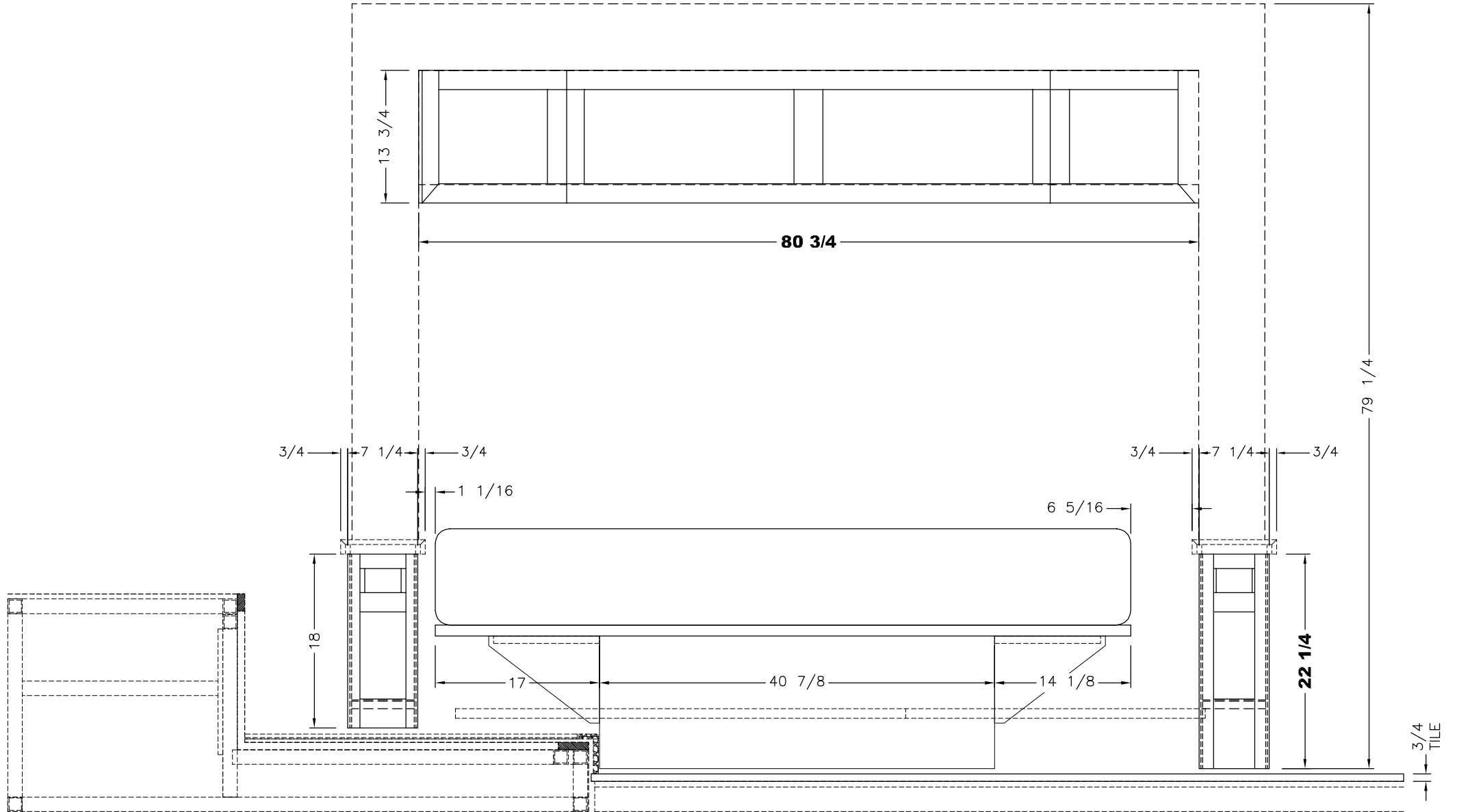


PLEASE ACKNOWLEDGE AND DATE THE FOLLOWING ORDER/PRINT FOR APPROVAL TO BUILD, AND FAX TO NEWMAR (AT 574-773-2895) AS SOON AS POSSIBLE

DATE: _____

SIGN: _____

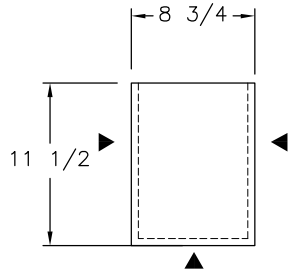


UNIT: # 414716
 DEALER: Myers RV
 SPECIAL: # 262

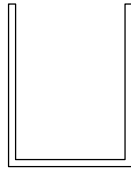
NEWMAR CORP P.O. Box 30, Nappanee, IN. 46550	Model:	Sheet	Drawn by:	Checked by:	Revision:	By:
	VT DP 4311	1 OF 4	R. N.	Z. R.		Date:
UNITS: INCHES	Title:	I.D. # 2020\	Date:	Date:	Revision:	By:
TITLE BLOCK: 1TB	91 1/4 KING BR S-0 CABINETS	SPECIALS\MOT\ 262BR_CAB	7/25/19	7/26/19		Date:

ITEM #	QTY	NEWMAR #	DESCRIPTION
1	1	132546	RECEPT/DUAL USB CHARGER

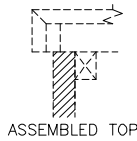
PLEASE ACKNOWLEDGE AND DATE THE FOLLOWING ORDER/PRINT FOR APPROVAL TO BUILD, AND FAX TO NEWMAR (AT 574-773-2895) AS SOON AS POSSIBLE
 DATE: _____
 SIGN: _____



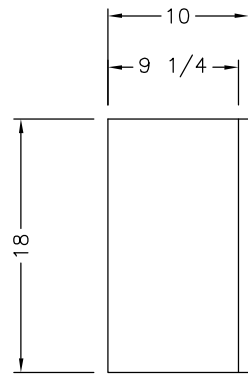
▶ -- DENOTES A FINISHED EDGE
 TOP VIEW 1/2
 SOLID SURFACE



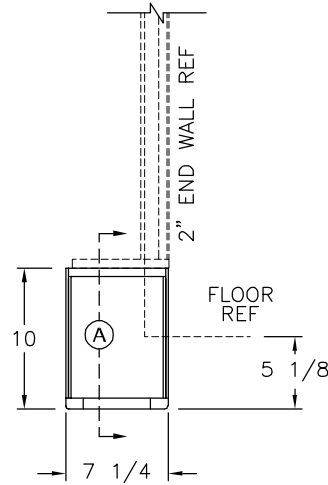
EDGE TRIM
 (1) PIECES 1/2 MATERIAL



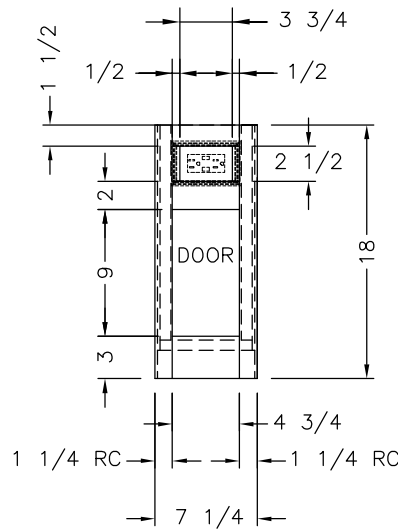
ASSEMBLED TOP



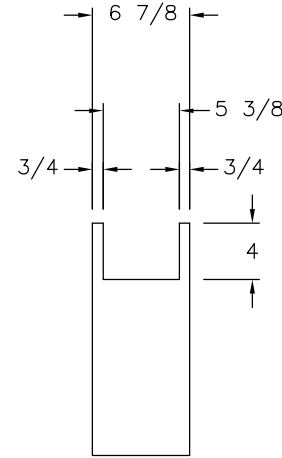
LEFT SIDE VIEW



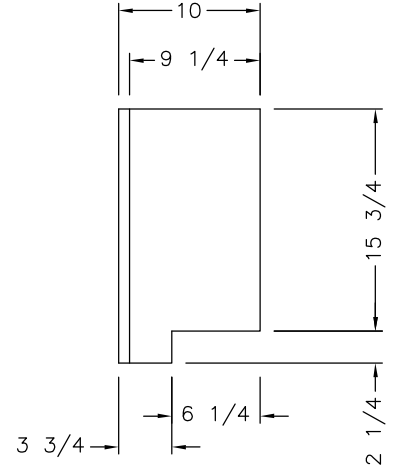
REAR CHEST
 TOP VIEW



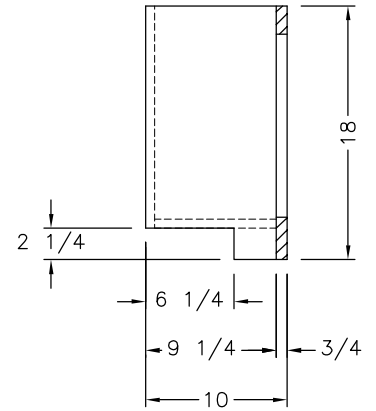
(1) 5 1/2x12 DOOR
 (LARGER OVERLAP AT
 BOTTOM)



BACK PANEL



RIGHT SIDE
 VIEW



SIDE SECTION (A)

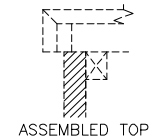
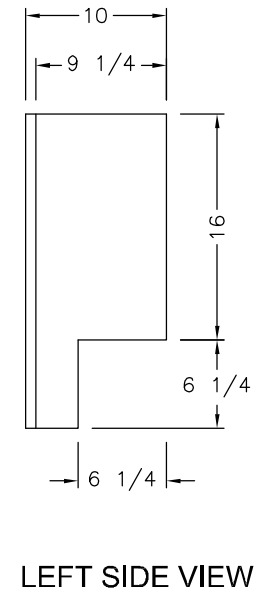
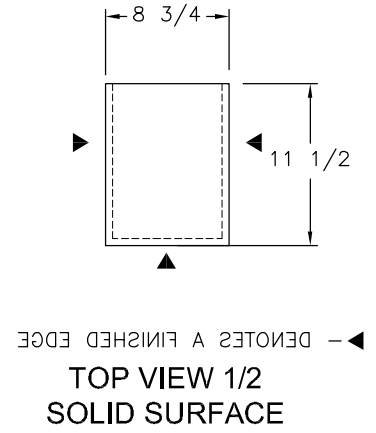
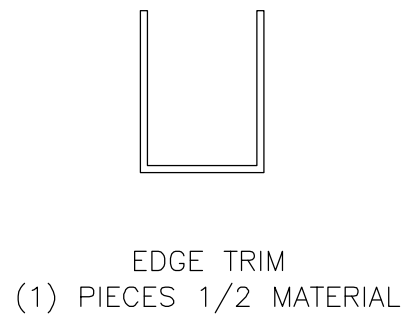
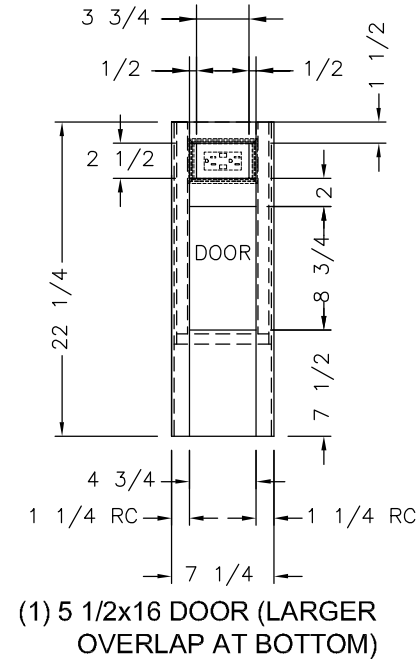
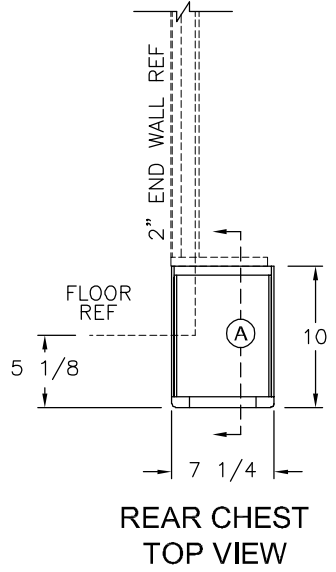
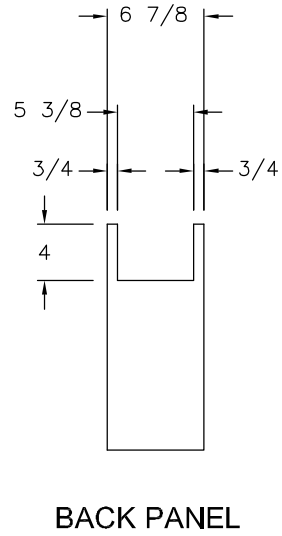
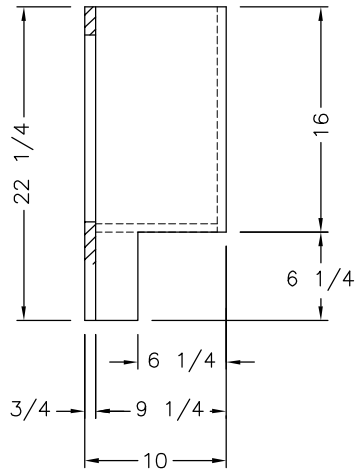
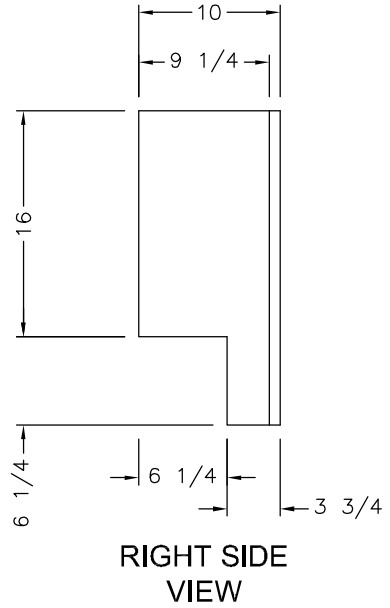
UNIT: # 414716
 DEALER: Myers RV
 SPECIAL: # 262

REAR CHEST

NEWMAR CORP P.O. Box 30, Nappanee, IN. 46550 UNITS: INCHES TITLE BLOCK: 1TB	Model: VT DP 4311	Sheet: 2 OF 4	Drawn by: R. N.	Checked by: Z. R.	Revision:	By:
	Title: 91 1/4 KING BR S-O CABINETS	I.D. # 2020 \ SPECIALS \ MOT \ 262BR_CAB	Date: 7/25/19	Date: 7/26/19	Revision:	Date:

ITEM #	QTY	NEWMAR #	DESCRIPTION
1	1	132546	RECEPT/DUAL USB CHARGER

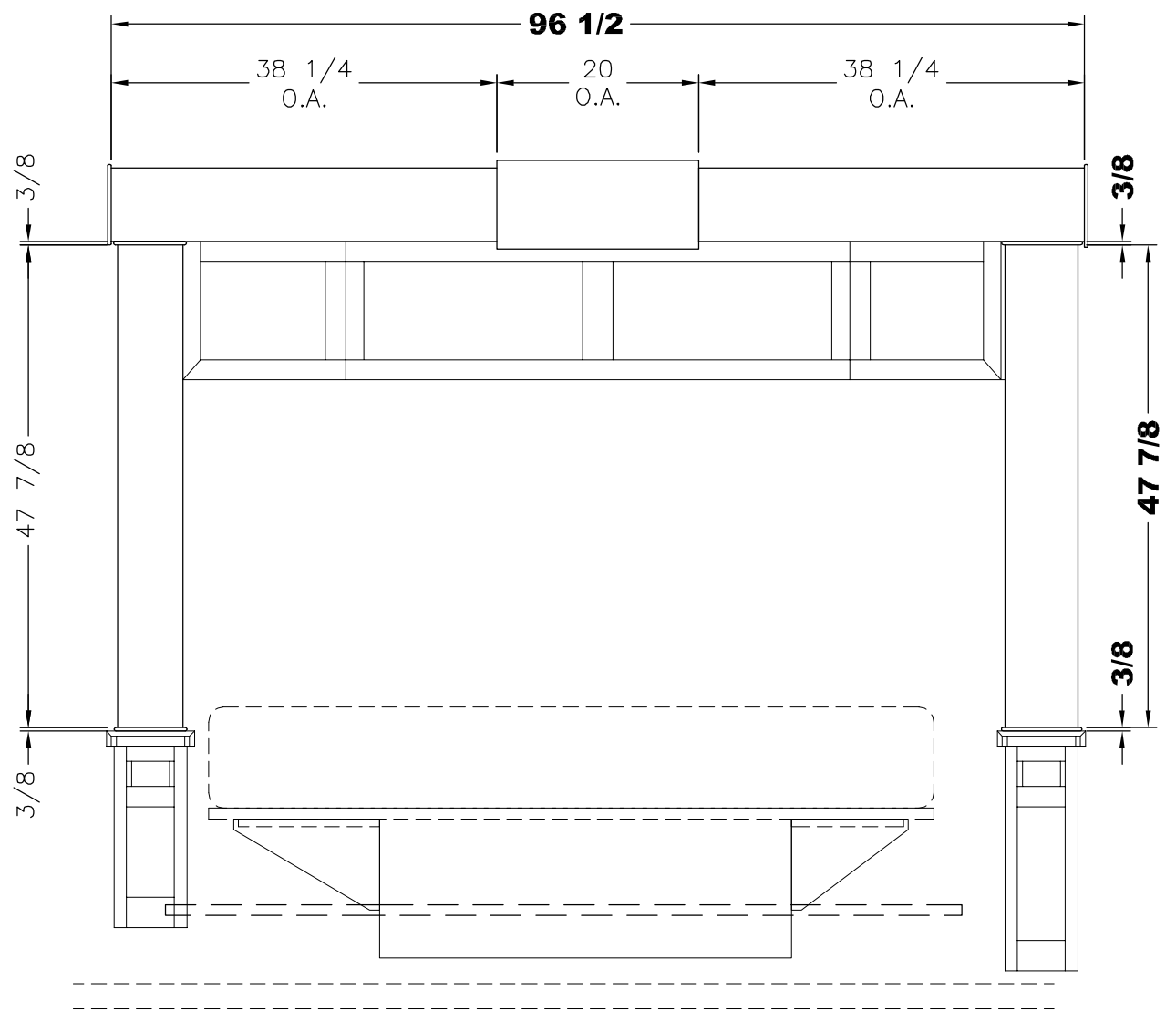
PLEASE ACKNOWLEDGE AND DATE THE FOLLOWING ORDER/PRINT FOR APPROVAL TO BUILD, AND FAX TO NEWMAR (AT 574-773-2895) AS SOON AS POSSIBLE
DATE: _____
SIGN: _____



UNIT: # 414716
DEALER: Myers RV
SPECIAL: # 262

NEWMAR CORP P.O. Box 30, Nappanee, IN. 46550 UNITS: INCHES TITLE BLOCK: 1TB	Model: VT DP 4311	Sheet: 3 OF 4	Drawn by: R. N.	Checked by: Z. R.	Revision:	By:
	Title: 91 1/4 KING BR S-0 CABINETS	I.D. # 2020\ SPECIALS\MOT\ 262BR_CAB	Date: 7/25/19	Date: 7/26/19	Revision:	Date:

PLEASE ACKNOWLEDGE AND DATE THE FOLLOWING ORDER/PRINT FOR APPROVAL TO BUILD, AND FAX TO NEWMAR (AT 574-773-2895) AS SOON AS POSSIBLE
 DATE: _____
 SIGN: _____



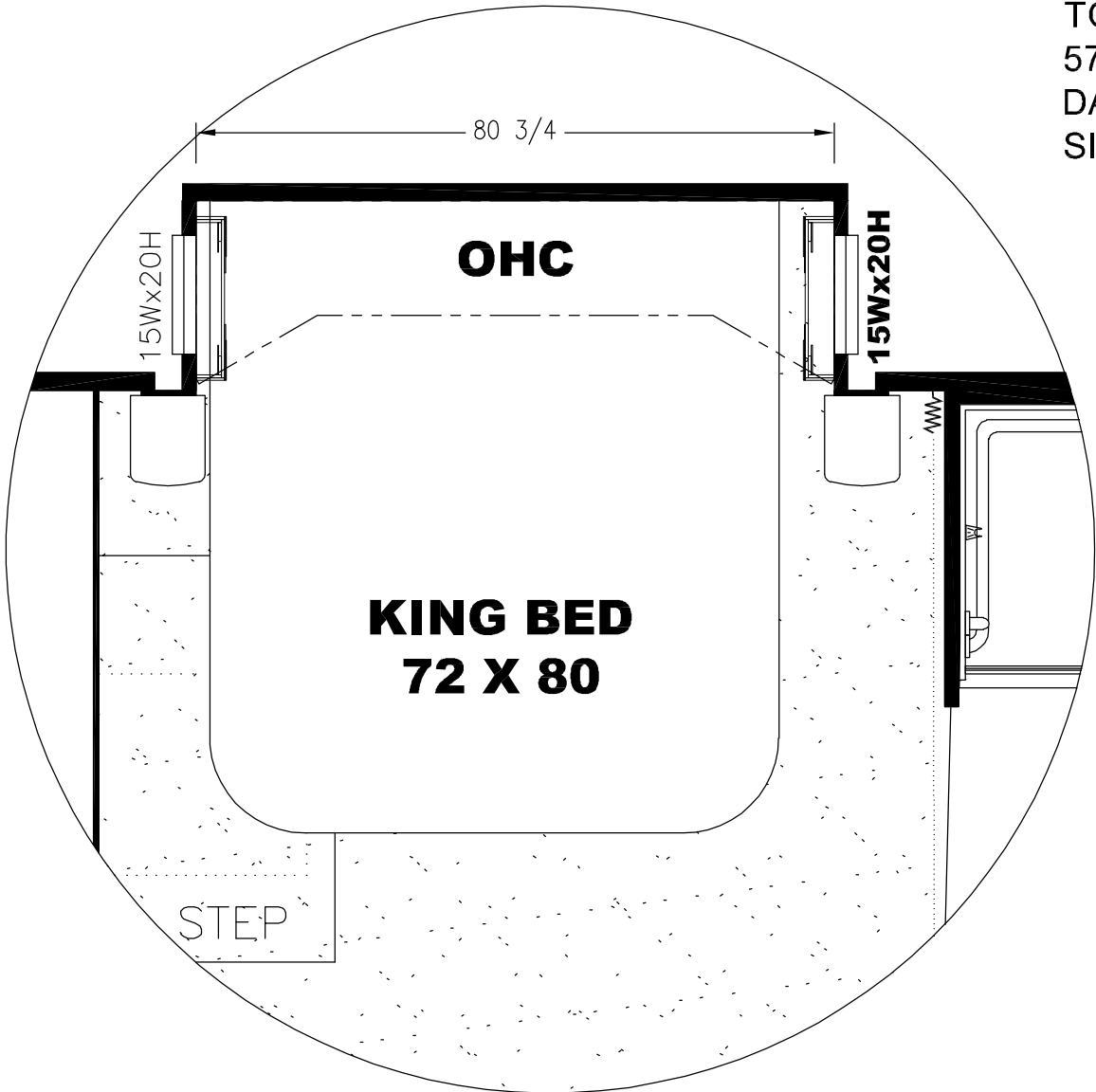
UNIT: # 414716
 DEALER: Myers RV
 SPECIAL: # 262

BEDROOM S-O FASCIA

NEWMAR CORP P.O. Box 30, Nappanee, IN. 46550 UNITS: INCHES TITLE BLOCK: 75TB	Model:	Sheet	Drawn by:	Checked by:	Revision:	By:
	VT DP 4311	1 OF 1	R. N.	Z. R.		Date:
	Title:	I.D. # 2020\	Date:	Date:	Revision:	By:
	FASCIA	SPECIALS\MOT\ 262FASCIA	7/25/19	7/26/19		Date:

PLEASE ACKNOWLEDGE AND DATE THE FOLLOWING ORDER/PRINT FOR APPROVAL TO BUILD, AND FAX TO NEWMAR (AT 574-773-2895) AS SOON AS POSSIBLE

DATE: _____
SIGN: _____



UNIT: # 414716
DEALER: Myers RV
SPECIAL: # 262

NEWMAR CORP P.O. Box 30, Nappanee, IN. 46550	Model: VT DP 4311	Sheet 1 OF 1	Drawn by: R. N.	Checked by: Z. R.	Revision:	By:
	Title: FLOOR PLAN	I.D. # 2020\ SPECIALS\MOT\ 262FP	Date: 7/25/19	Date: 7/26/19	Revision:	Date:
UNITS: INCHES						By:
TITLE BLOCK: 3125TB						Date: