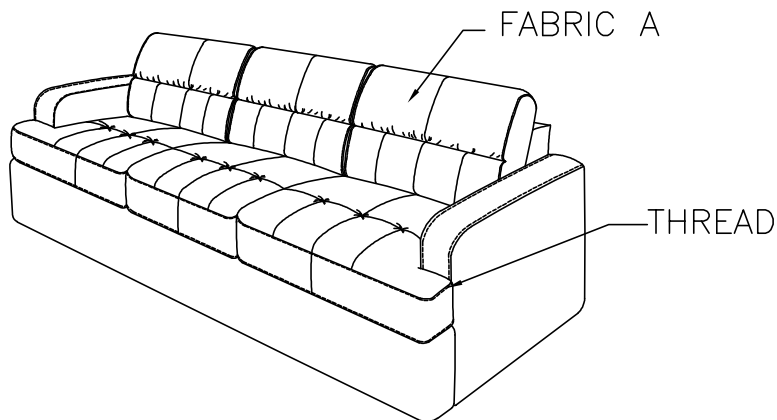
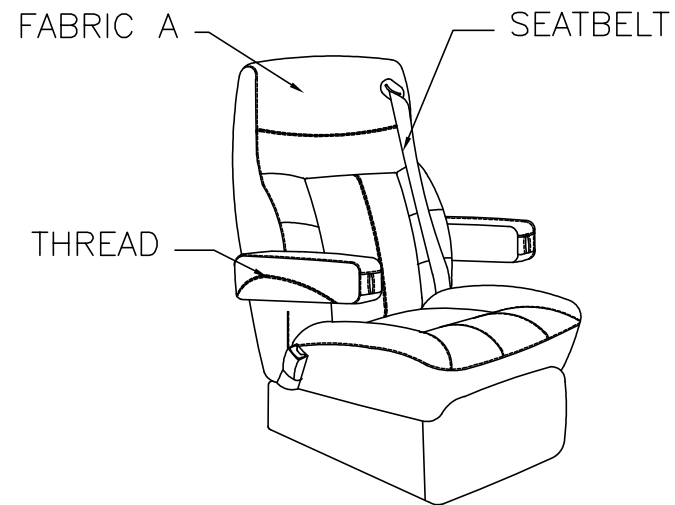


FABRIC LETTER	DECOR' NUMBER	DESCRIPTION
FABRIC "A"	EX18-170 "B"	BRISA DISTRESSED 535-3274 COYOTE
"SEATBELT"	LA18-520 "BEIGE"	BEIGE
"THREAD"	LA18-520 "WHITE"	WHITE



SOFA/FURNITURE/VANITY CHAIR



DRIVER/PASSENGER

PLEASE ACKNOWLEDGE AND DATE THE FOLLOWING ORDER/PRINT FOR APPROVAL TO BUILD, AND FAX TO NEWMAR (AT 574-773-2895) AS SOON AS POSSIBLE

DATE: _____

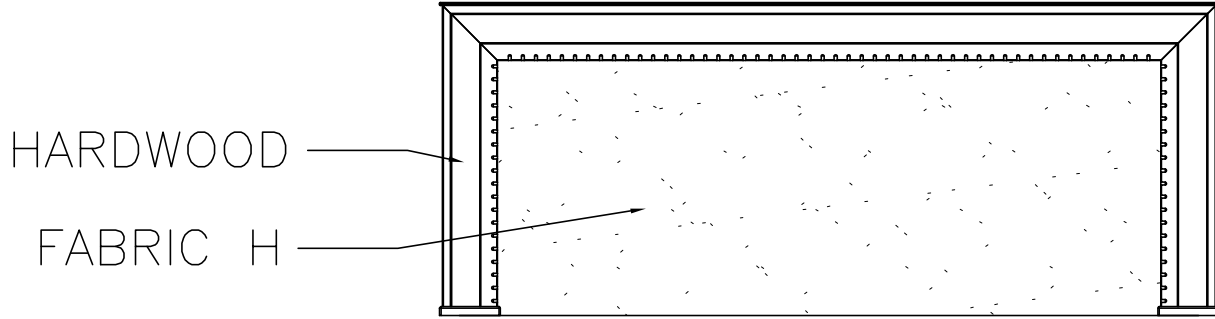
SIGN: _____

UNIT: # 501523
 DEALER: Desert Autoplex
 SPECIAL: # 415

NOTE: GENERAL VISUAL REPRESENTATION OF INTERIOR COMPONENTS. NOT FOR DIMENSIONAL USE.

NEWMAR CORP P.O. Box 30, Nappanee, IN. 46550	Model: LA DP 4535	Sheet 1 OF 1	Drawn by: Z. R.	Checked by: A. M.	Revision:	By:
	Title: FABRIC CALL OUTS FURNITURE	I.D. # 2018\ SPECIALS\MOT\ 415FAB	Date: 7/6/17	Date: 7/10/17	Revision:	By:
UNITS: INCHES						Date:
TITLE BLOCK: 1-5TB						Date:

FABRIC LETTER	DECOR' NUMBER	DESCRIPTION
FABRIC "H"	EX18-170 "B"	BRISA DISTRESSED 535-3274 COYOTE



DS DP HEADBOARD

PLEASE ACKNOWLEDGE AND DATE THE FOLLOWING ORDER/PRINT FOR APPROVAL TO BUILD, AND FAX TO NEWMAR (AT 574-773-2895) AS SOON AS POSSIBLE
 DATE: _____
 SIGN: _____

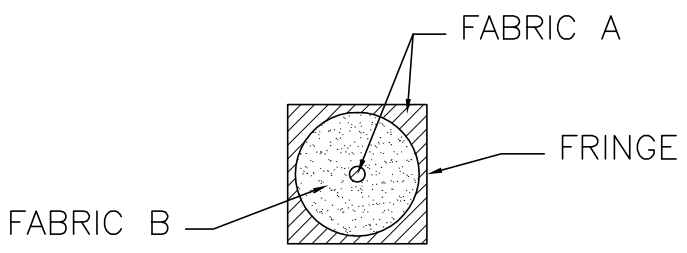
UNIT: # 501523
 DEALER: Desert Autoplex
 SPECIAL: # 415

NOTE: GENERAL VISUAL REPRESENTATION OF INTERIOR COMPONENTS. NOT FOR DIMENSIONAL USE.

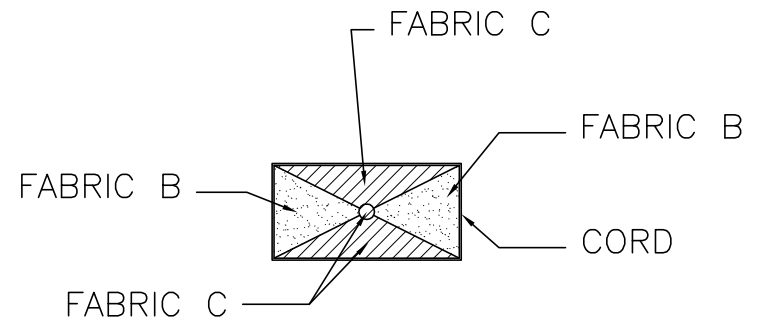
NEWMAR CORP P.O. Box 30, Nappanee, IN. 46550	Model:	Sheet	Drawn by:	Checked by:	Revision:	By:
	LA DP 4535	1 OF 1	Z. R.	A. M.		Date:
	Title: FABRIC CALL OUTS HEADBOARD	I.D. # 2018\ SPECIALS\MOT\ 415FAB	Date:	Date:	Revision:	By:
UNITS: INCHES			7/6/17	7/10/17		Date:
TITLE BLOCK: 1-5TB						

FABRIC LETTER	DECOR' NUMBER	DESCRIPTION
FABRIC "A"	EX18-170 "B"	BRISA DISTRESSED 535-3274 COYOTE
FABRIC "B"	LA18-520 "B"	PHILOMENA-OPAL
FABRIC "C"	LA18-520 "C"	ANGELIQUE 454-LINEN
FABRIC "CORD"	LA18-520 "CORD"	CD06623-01-A NATURAL
FABRIC "FRINGE"	LA18-520 "FRINGE"	FRB06623-01-A NATURAL

MAIN FABRIC — 
 ACCENT FABRIC — 



SOFA PILLOW "A"



SOFA PILLOW "B"

PLEASE ACKNOWLEDGE AND DATE THE FOLLOWING ORDER/PRINT FOR APPROVAL TO BUILD, AND FAX TO NEWMAR (AT 574-773-2895) AS SOON AS POSSIBLE
 DATE: _____
 SIGN: _____

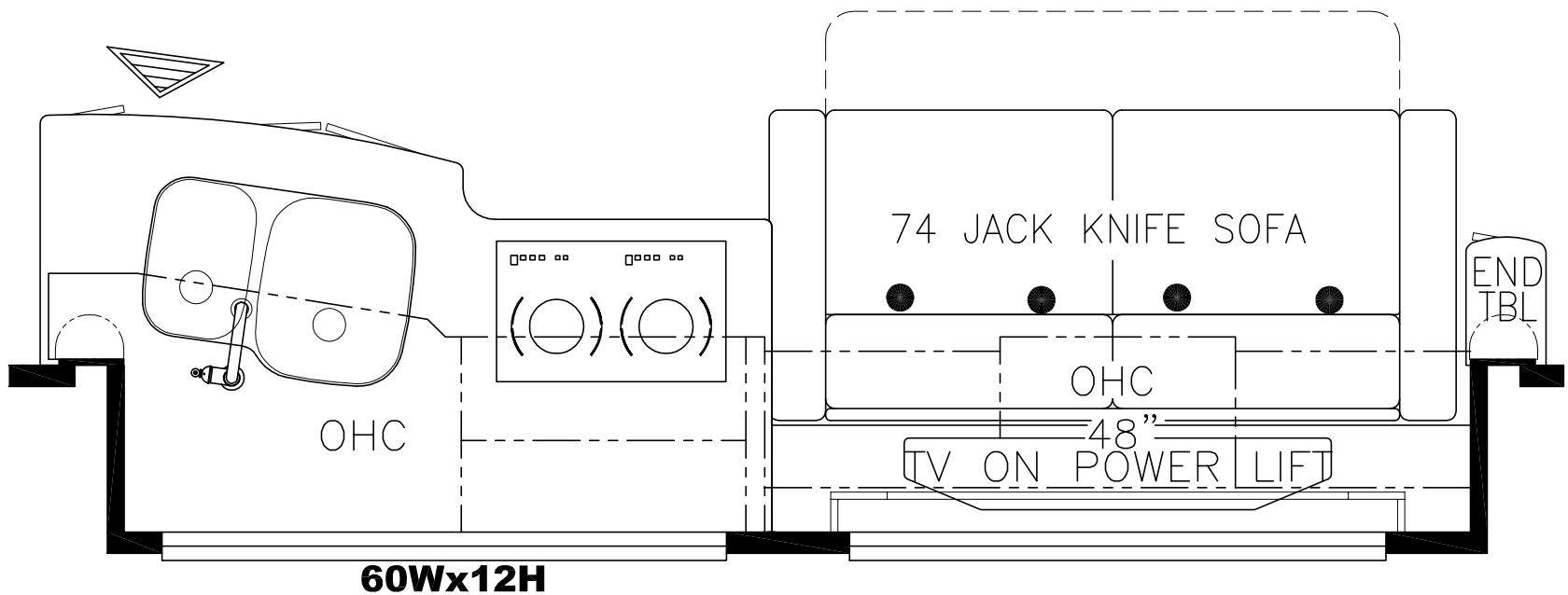
UNIT: # 501523
 DEALER: Desert Autoplex
 SPECIAL: # 415

NOTE: GENERAL VISUAL REPRESENTATION OF INTERIOR COMPONENTS. NOT FOR DIMENSIONAL USE.

NEWMAR CORP P.O. Box 30, Nappanee, IN. 46550	Model: LA DP 4535	Sheet 1 OF 1	Drawn by: Z. R.	Checked by: A. M.	Revision:	By:
	Title: FABRIC CALL OUTS SOFA PILLOWS	I.D. # 2018\ SPECIALS\MOT\ 415FAB	Date: 7/6/17	Date: 7/10/17	Revision:	By:
UNITS: INCHES						Date:
TITLE BLOCK: 1-5TB						Date:

PLEASE ACKNOWLEDGE AND DATE THE FOLLOWING ORDER/PRINT FOR APPROVAL TO BUILD, AND FAX TO NEWMAR (AT 574-773-2895) AS SOON AS POSSIBLE

DATE: _____
SIGN: _____



UNIT: # 501523
DEALER: Desert Autoplex
SPECIAL: # 415

NEWMAR CORP P.O. Box 30, Nappanee, IN. 46550	Model: LA DP 4535	(J611)	Sheet 1 OF 1	Drawn by: Z. R.	Checked by: A. M.	Revision:	By:
	Title: FLOOR PLAN		I.D. # 2018\ SPECIALS\MOT\ 415FP	Date: 7/6/17	Date: 7/10/17	Revision:	Date:
UNITS: INCHES							By:
TITLE BLOCK: 3125TB							Date:

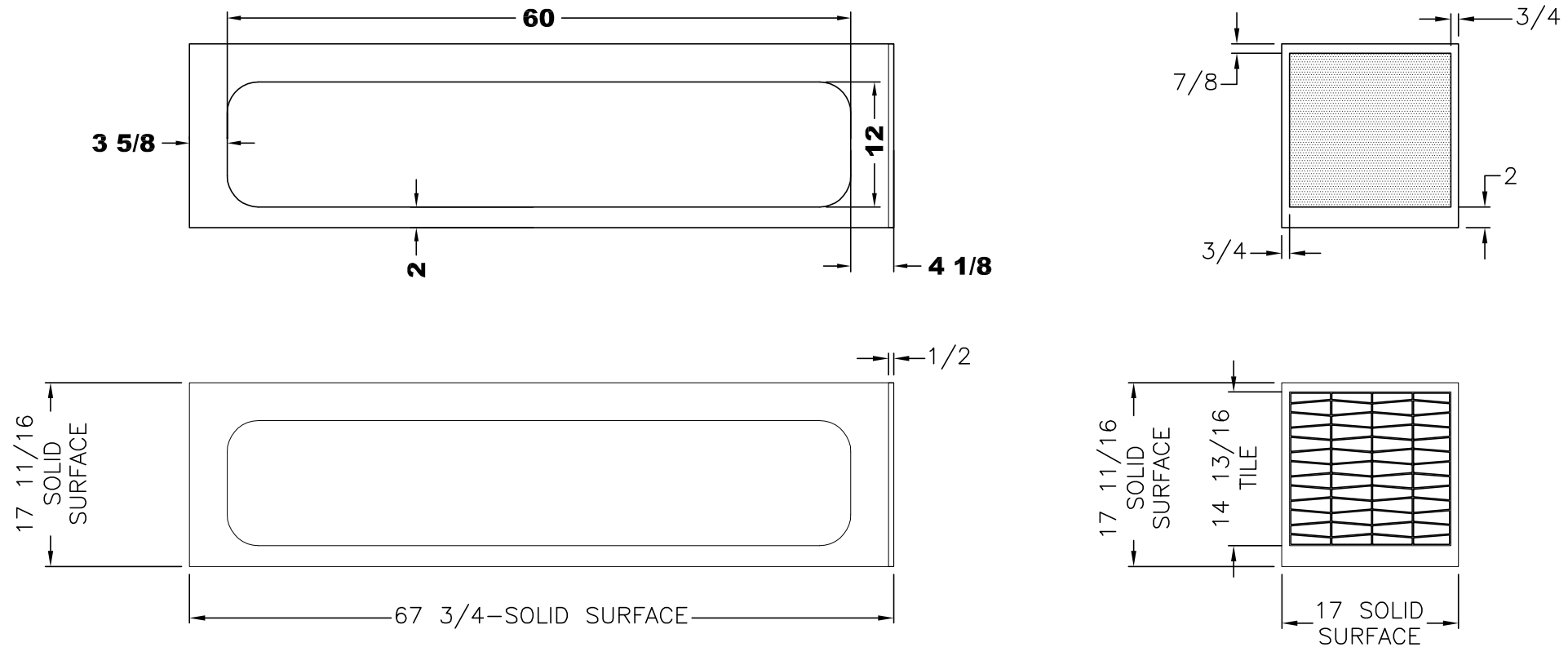
2018 KG DB BACKSPLASH TILE (RUN HORIZONTAL)

PLEASE ACKNOWLEDGE AND DATE THE FOLLOWING ORDER/PRINT FOR APPROVAL TO BUILD, AND FAX TO NEWMAR (AT 574-773-2895) AS SOON AS POSSIBLE

DATE: _____

SIGN: _____

SHADED DENOTES 3/8" RECESS FOR TILE INLAY



UNIT: # 501523
DEALER: Desert Autoplex
SPECIAL: # 415

BACK SPLASH

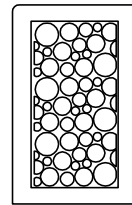
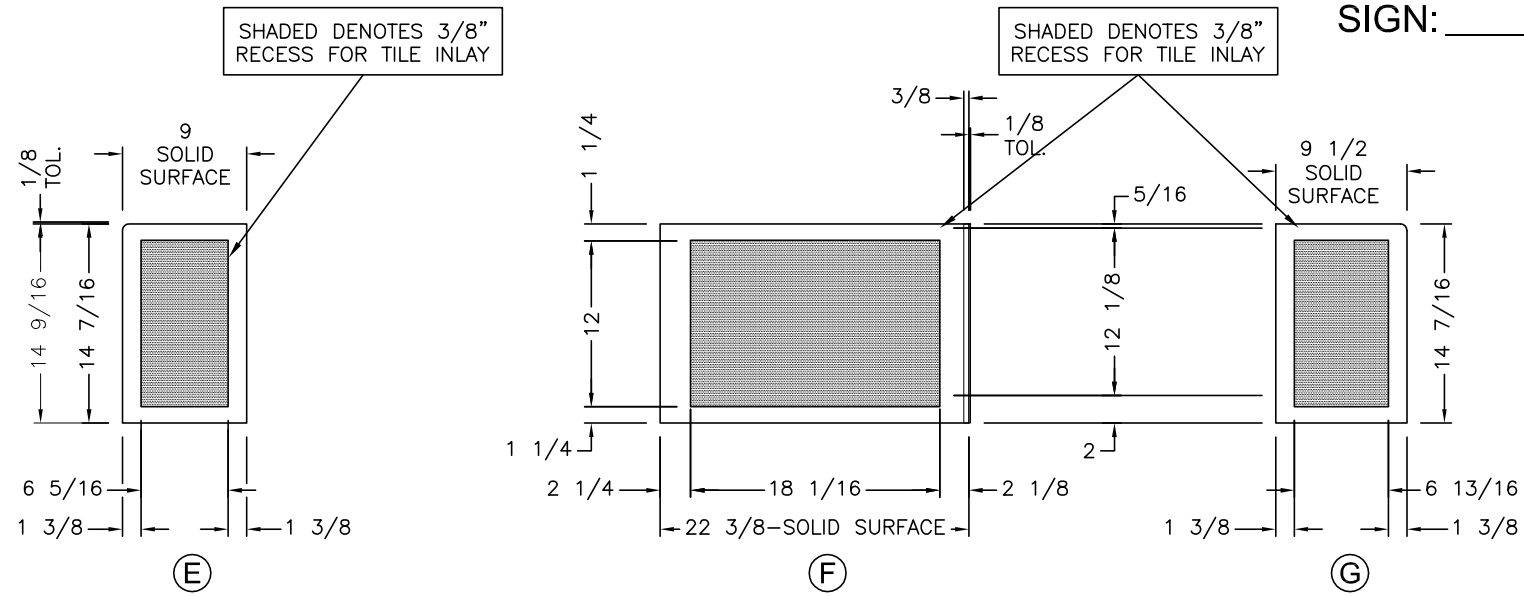
NEWMAR CORP P.O. Box 30, Nappanee, IN. 46550	Model:	Sheet	Drawn by:	Checked by:	Revision:	By:
	LA DP 4535	1 OF 1	Z. R.	A. M.		Date:
UNITS: INCHES	Title:	I.D. # 2018\	Date:	Date:	Revision:	By:
TITLE BLOCK: 75TB	KITCHEN BACKSPLASH	SPECIALS\MOT\ 415KT	7/6/17	7/10/17		Date:

2018 VT DP BACKSPLASH TILE

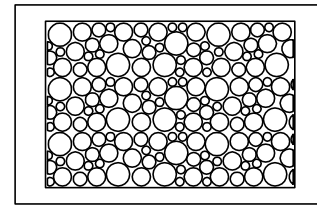
PLEASE ACKNOWLEDGE AND DATE THE FOLLOWING ORDER/PRINT FOR APPROVAL TO BUILD, AND FAX TO NEWMAR (AT 574-773-2895) AS SOON AS POSSIBLE

DATE: _____

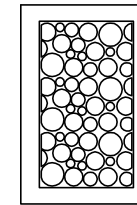
SIGN: _____



(E)



(F)

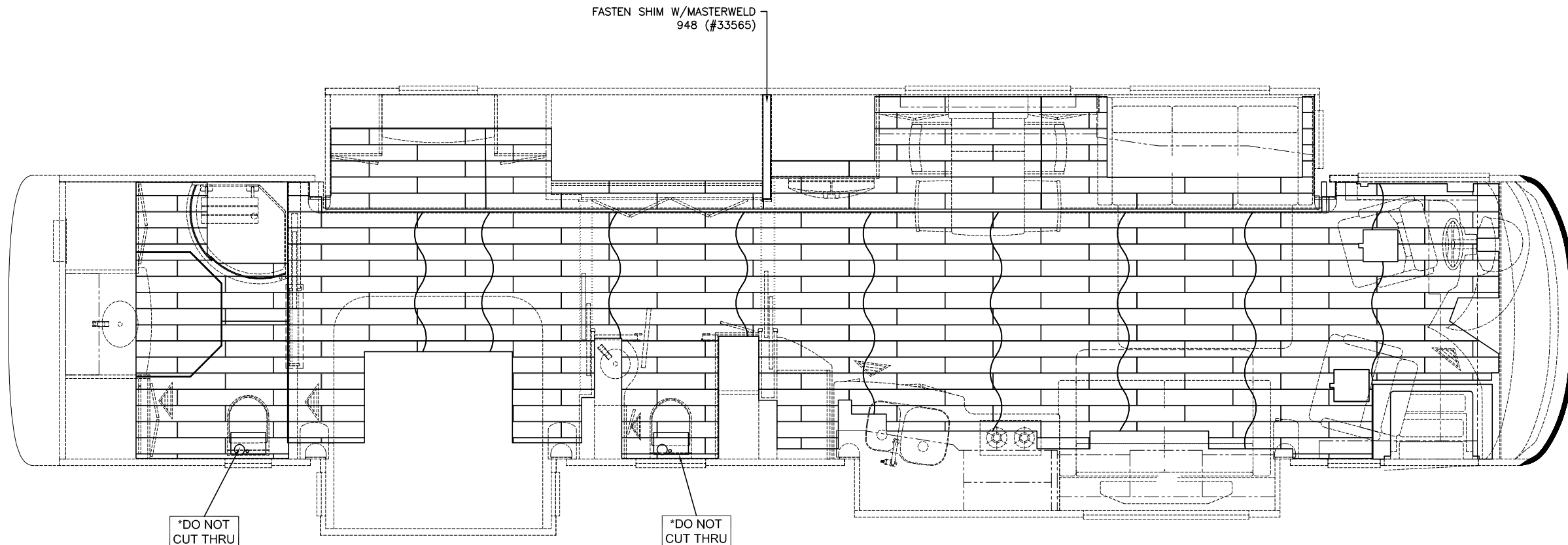


(G)

SPLASHES

UNIT: # 501523
 DEALER: Desert Autoplex
 SPECIAL: # 415

NEWMAR CORP P.O. Box 30, Nappanee, IN. 46550	Model:	Sheet	Drawn by:	Checked by:	Revision:	By:
	LA DP 4535	1 OF 1	Z. R.	A. M.		Date:
UNITS: INCHES	Title:	I.D. # 2018\	Date:	Date:	Revision:	By:
TITLE BLOCK: 1TB	STOOL ROOM LAV BASE & TOP	SPECIALS\MOT\415LV	7/6/17	7/10/17		Date:



2018 KG DB TILE
32 7/8 x 5 3/8

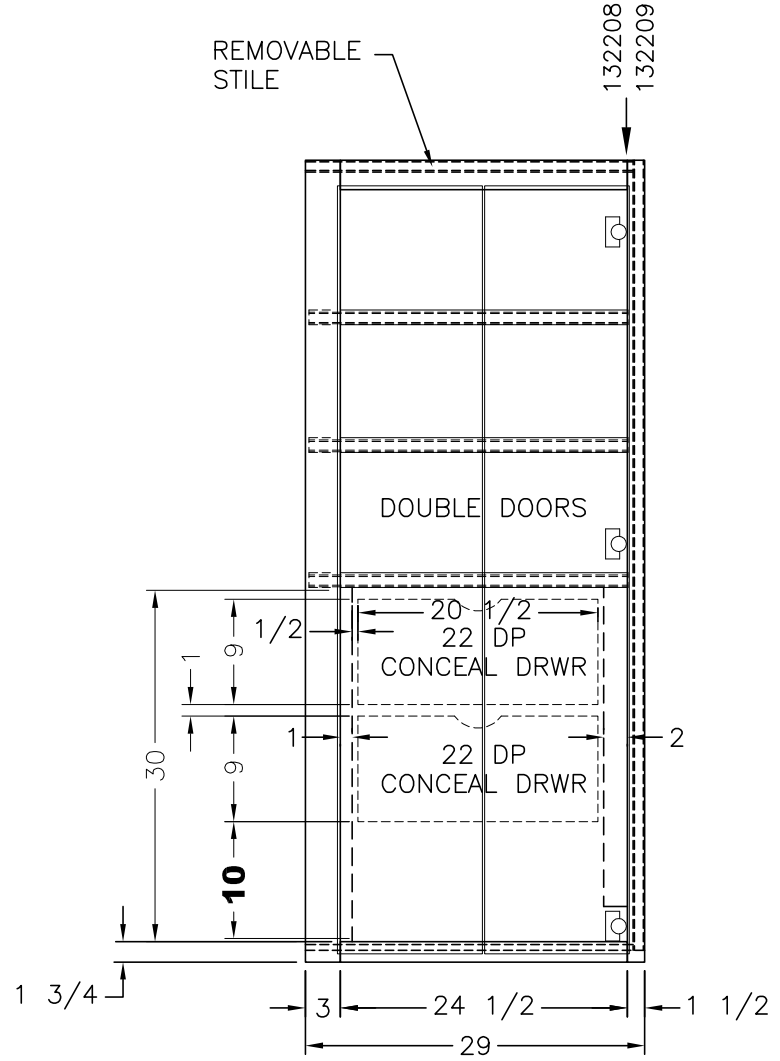
PLEASE ACKNOWLEDGE AND DATE THE FOLLOWING ORDER/PRINT FOR APPROVAL TO BUILD, AND FAX TO NEWMAR (AT 574-773-2895) AS SOON AS POSSIBLE
 DATE: _____
 SIGN: _____

UNIT: # 501523
 DEALER: Desert Autoplex
 SPECIAL: # 415

NEWMAR CORP P.O. Box 30, Nappanee, IN. 46550	Model:	Sheet	Drawn by:	Checked by:	Revision:	By:
	LA DP 4535	1 OF 1	Z. R.	A. M.		Date:
UNITS: INCHES	Title:	I.D. # 2018\	Date:	Date:	Revision:	By:
TITLE BLOCK: 3125TB	STANDARD TILE LAYOUT	SPECIALS\MOT\ 415TILE	7/6/17	7/10/17		Date:

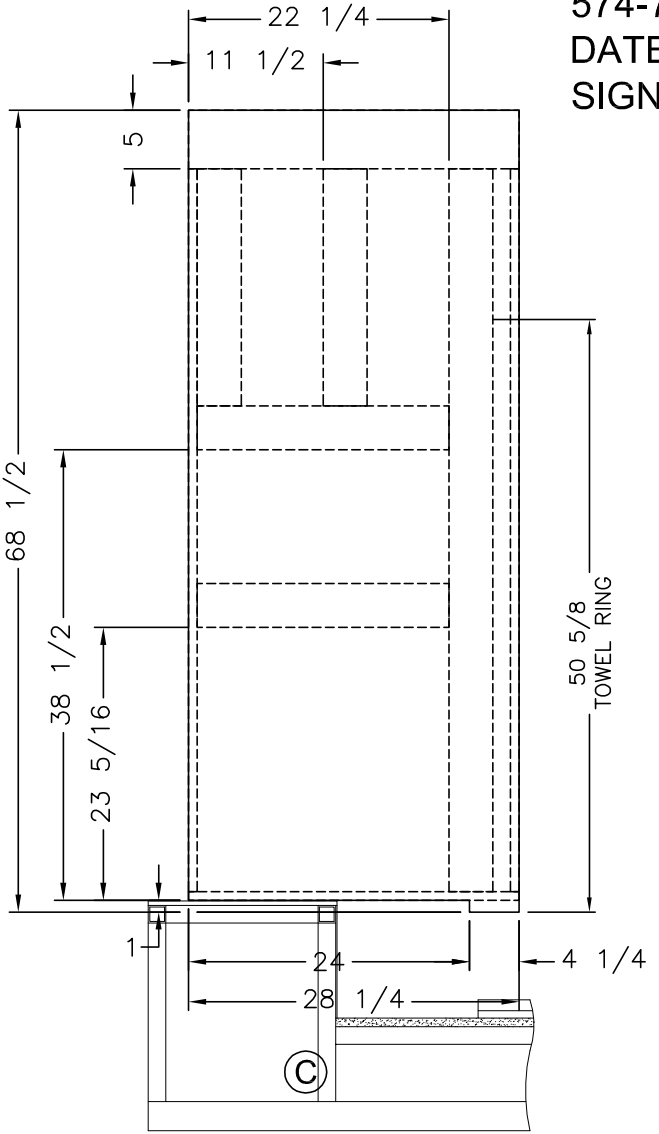
PLEASE ACKNOWLEDGE AND DATE THE FOLLOWING ORDER/PRINT FOR APPROVAL TO BUILD, AND FAX TO NEWMAR (AT 574-773-2895) AS SOON AS POSSIBLE

DATE: _____
SIGN: _____



(2) 12 3/8 x 65 5/8 LOUVERED DOORS

(A)



UNIT: # 501523
DEALER: Desert Autoplex
SPECIAL: # 415

NEWMAR CORP P.O. Box 30, Nappanee, IN. 46550 UNITS: INCHES TITLE BLOCK: 1TB	Model: LA DP 4535	Sheet 1 OF 1	Drawn by: Z. R.	Checked by: A. M.	Revision:	By:
	Title: REAR WARDROBE WITH SINK	I.D. # 2018\ SPECIALS\MOT\ 415WR	Date: 7/10/17	Date: 7/10/17	Revision:	Date: