

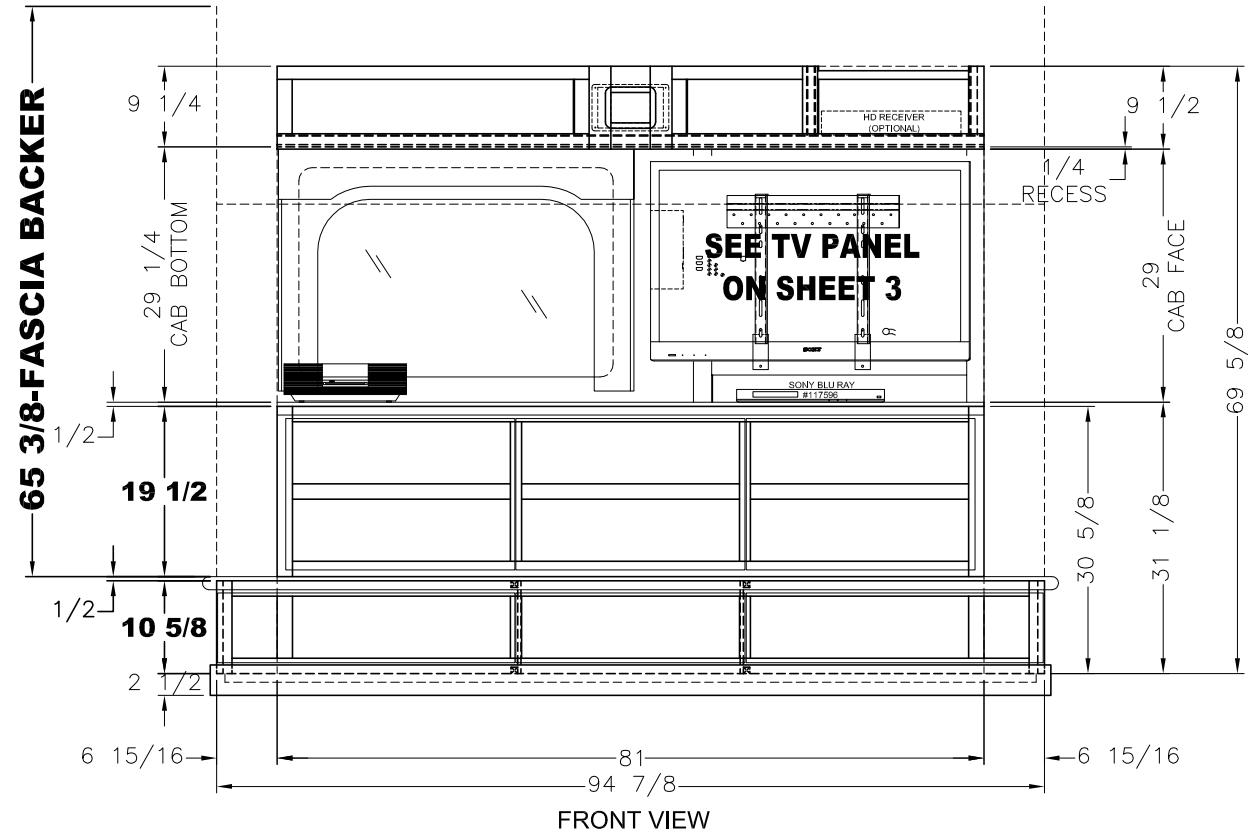
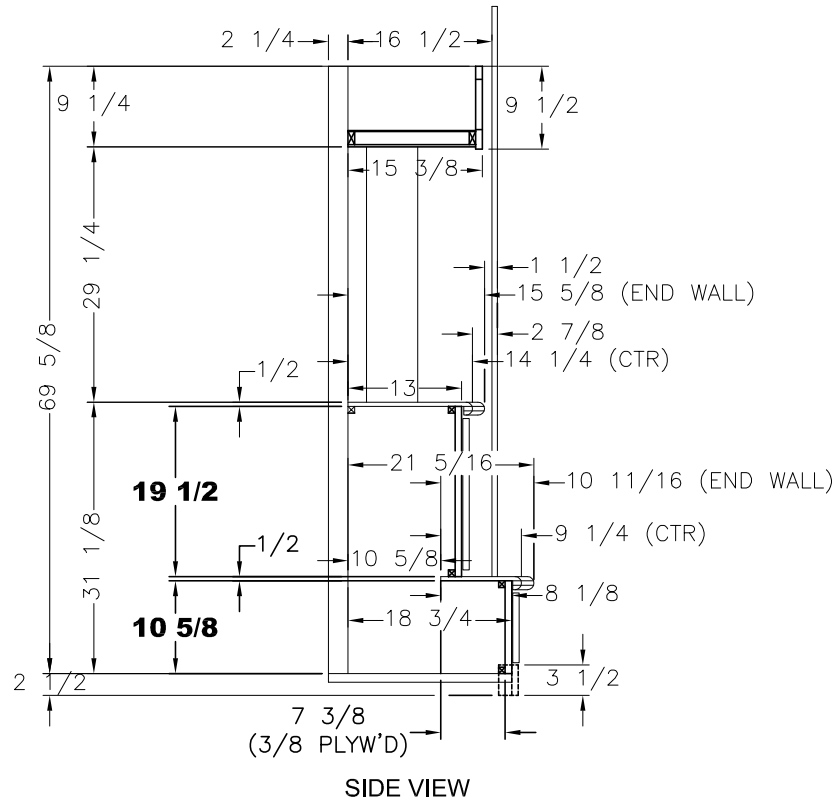
PLEASE ACKNOWLEDGE AND DATE THE FOLLOWING ORDER/PRINT FOR APPROVAL TO BUILD, AND FAX TO NEWMAR (AT 574-773-2895) AS SOON AS POSSIBLE
 DATE: _____
 SIGN: _____

UNIT: # 530143
 DEALER: Tom Johnson
 SPECIAL: # 111

NEWMAR CORP P.O. Box 30, Nappanee, IN. 46550 Title block--3125TB	Model: KG DB 4582 (K331)	Sheet 1 OF 1	Drawn by: L. D. B.	Checked by: M. W.	Revision:	By:
	Title: FLOOR PLAN	I.D. # 2013 \ SPECIALS \ MOT \ 111FP	Date: 3/30/12	Date: 4/11/12	Revision:	Date:

ITEM #	QTY	NEWMAR #	DESCRIPTION
1	1	117920	SONY 40" LED TV (KDL-40EX720)
2	1	114400	LCD TV BRACKET
3	1	117596	SONY BLU RAY (BDP-S380)
4	1	56222	BOSE WAVE RADIO AM/FM/CD GRAY

PLEASE ACKNOWLEDGE AND DATE THE FOLLOWING ORDER/PRINT FOR APPROVAL TO BUILD, AND FAX TO NEWMAR (AT 574-773-2895) AS SOON AS POSSIBLE
DATE: _____
SIGN: _____

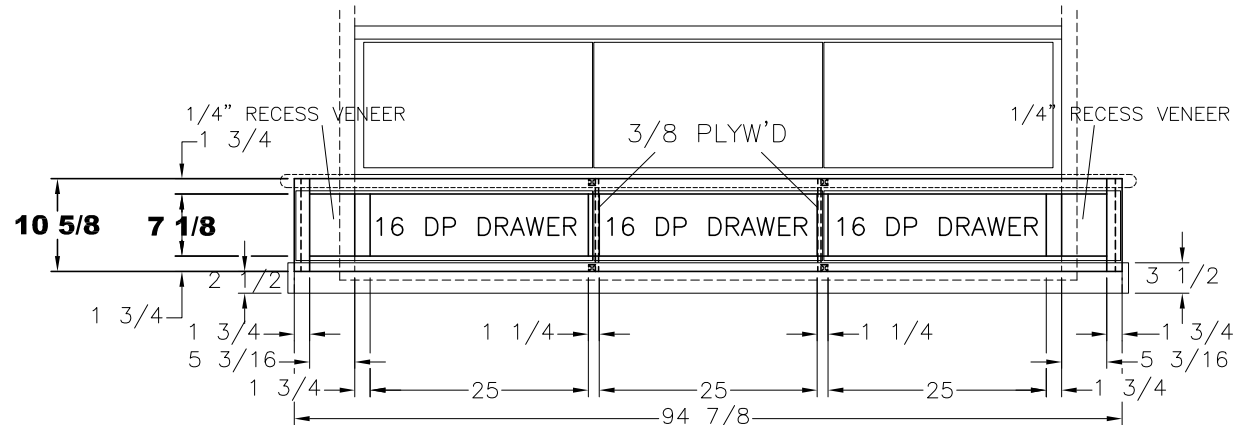


UNIT: # 530143
DEALER: Tom Johnson
SPECIAL: # 111

ELEVATION

NEWMAR CORP P.O. Box 30, Nappanee, IN. 46550 Title block--1TB	Model: KG DB 4582 (N460)	Sheet 1 OF 2	Drawn by: L. D. B.	Checked by: M. W.	Revision:	By:
	Title: 91 1/2 DRESSER S-O CABINETS	I.D. # 2013 \ SPECIALS \ MOT \ 111CH	Date: 4/2/12	Date: 4/10/12	Revision:	By:

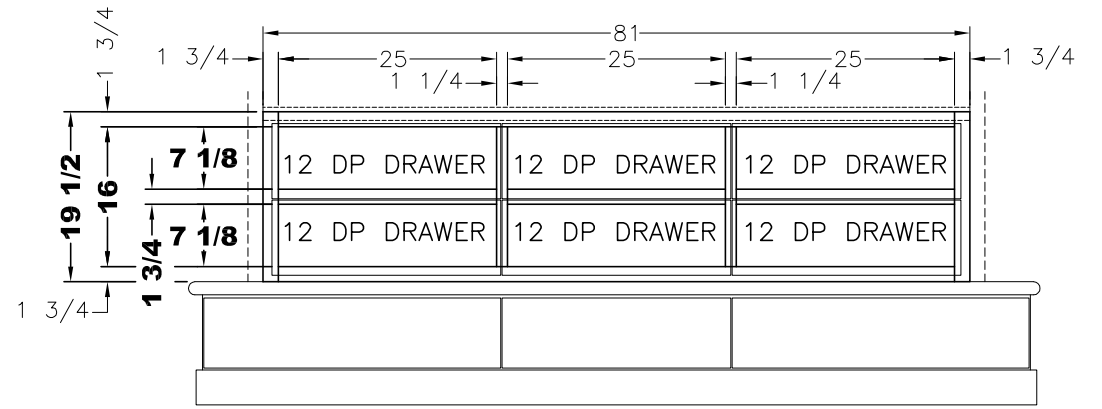
PLEASE ACKNOWLEDGE AND DATE THE FOLLOWING ORDER/PRINT FOR APPROVAL TO BUILD, AND FAX TO NEWMAR (AT 574-773-2895) AS SOON AS POSSIBLE
 DATE: _____
 SIGN: _____



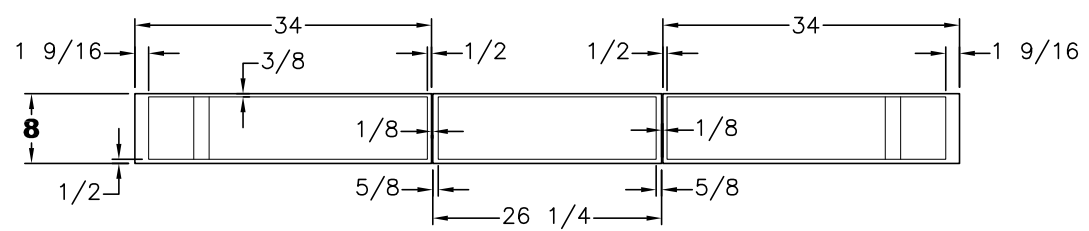
FRONT VIEW (LOWER SECTION)

(2) 8x34 DRAWER FRONTS
 (1) 8x26 1/4 DRAWER FRONT

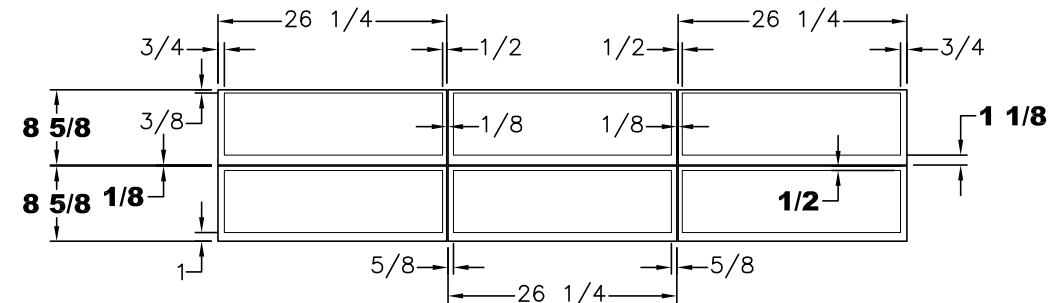
NOTE: SOFT/SELF CLOSE DRAWER GUIDES



FRONT VIEW (UPPER SECTION)
 (6) 8 5/8x26 1/4 DRAWER FRONTS



O'LAPS

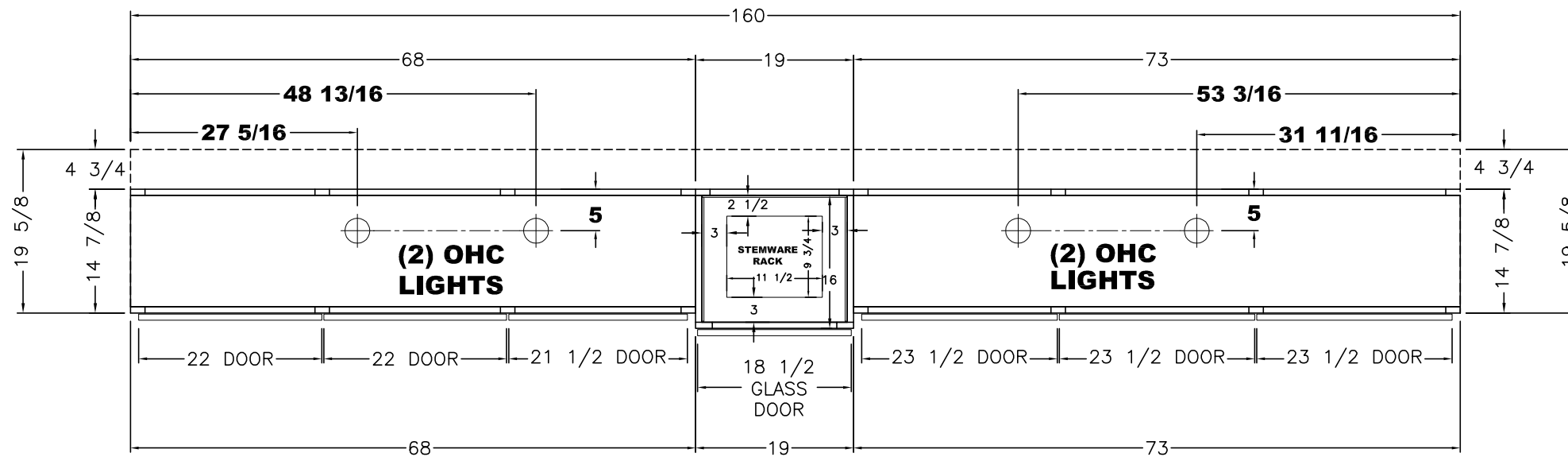


UNIT: # 530143
 DEALER: Tom Johnson
 SPECIAL: # 111

BASE CAB

NEWMAR CORP P.O. Box 30, Nappanee, IN. 46550	Model: KG DB 4582 (N460)	Sheet 2 OF 2	Drawn by: L. D. B.	Checked by: M. W.	Revision:	By:
	Title: 91 1/2 DRESSER S-O CABINETS	I.D. # 2013\ SPECIALS\MOT\ 111CH	Date: 4/2/12	Date: 4/10/12	Revision:	Date:
Title block--1TB						By:
						Date:

PLEASE ACKNOWLEDGE AND DATE THE FOLLOWING ORDER/PRINT FOR APPROVAL TO BUILD, AND FAX TO NEWMAR (AT 574-773-2895) AS SOON AS POSSIBLE
 DATE: _____
 SIGN: _____



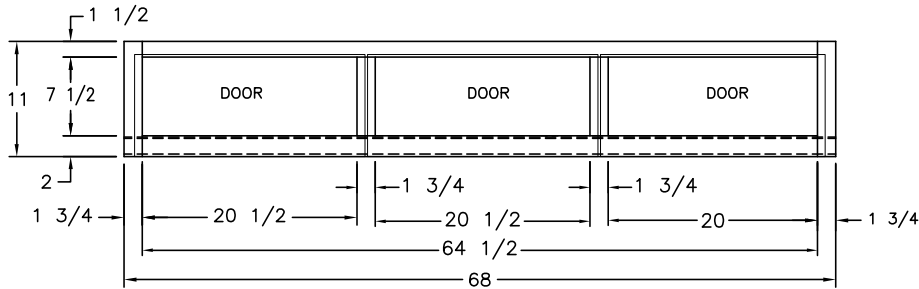
STEMWARE CABINET
INTERIOR MIRRORS
(1) 17 3/8x15 BACK MIRROR
(2) 14 7/8x15 SIDE MIRROR

UNIT: # 530143
 DEALER: Tom Johnson
 SPECIAL: # 111

OHC PLAN

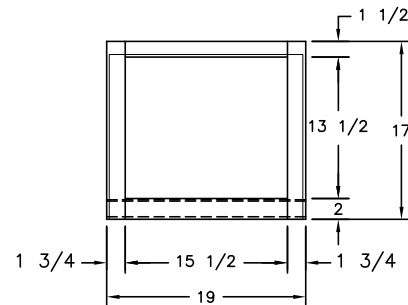
NEWMAR CORP <i>P.O. Box 30,</i> <i>Nappanee, IN. 46550</i>	Model: KG DB 4582	Sheet 1 OF 2	Drawn by: L. D. B.	Checked by: M. W.	Revision:	By:
	Title: ODS SOFA/DINETTE OHC	I.D. # 2013\ SPECIALS\MOT\ 1110DS_OH	Date: 3/30/12	Date: 4/17/12	Revision:	Date:
Title block--1-5TB						By:
						Date:

PLEASE ACKNOWLEDGE AND DATE THE FOLLOWING ORDER/PRINT FOR APPROVAL TO BUILD, AND FAX TO NEWMAR (AT 574-773-2895) AS SOON AS POSSIBLE
 DATE: _____
 SIGN: _____



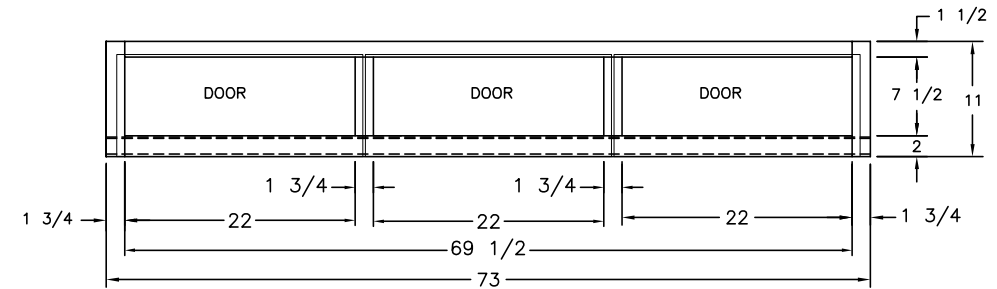
(2) 22x9 3/4 DOOR (TOP HINGE)
 (1) 21 1/2x9 3/4 DOOR (TOP HINGE)

DINETTE CABINET



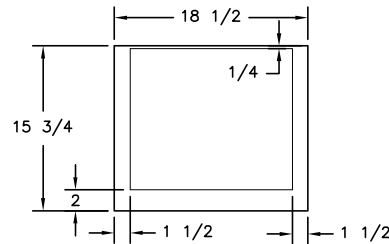
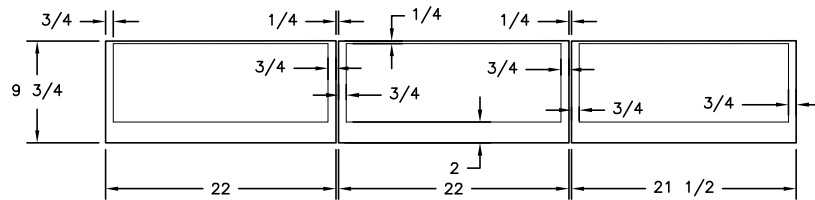
(1) 18 1/2x15 3/4 GLASS DOOR (TOP HINGE)

STEMWARE CABINET

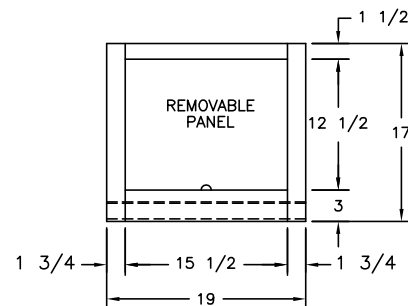
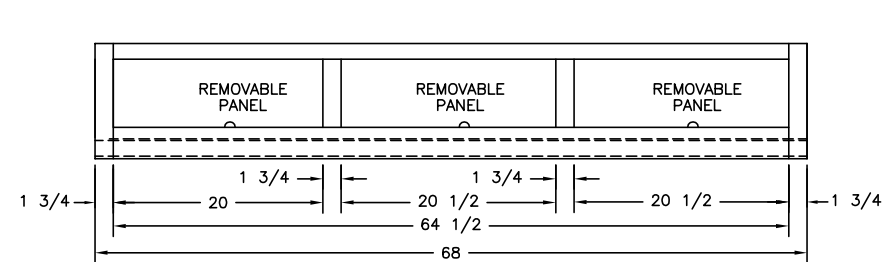
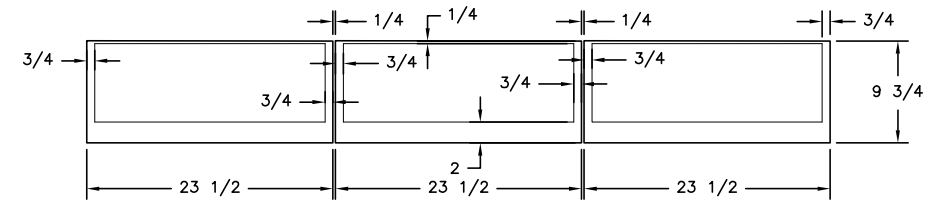


(3) 23 1/2x9 3/4 DOOR (TOP HINGE)

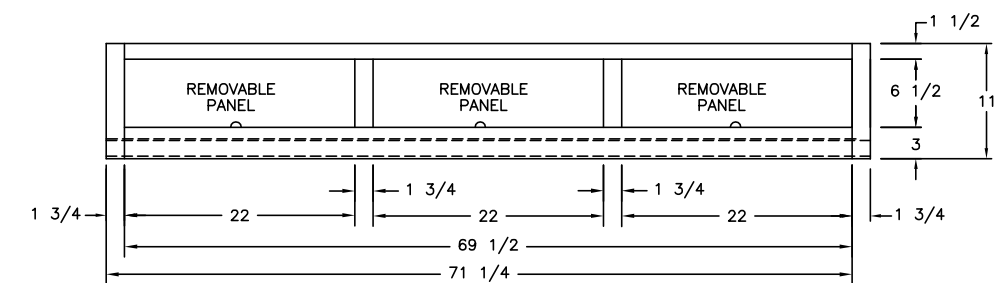
SOFA CABINET



DOOR OVERHANGS



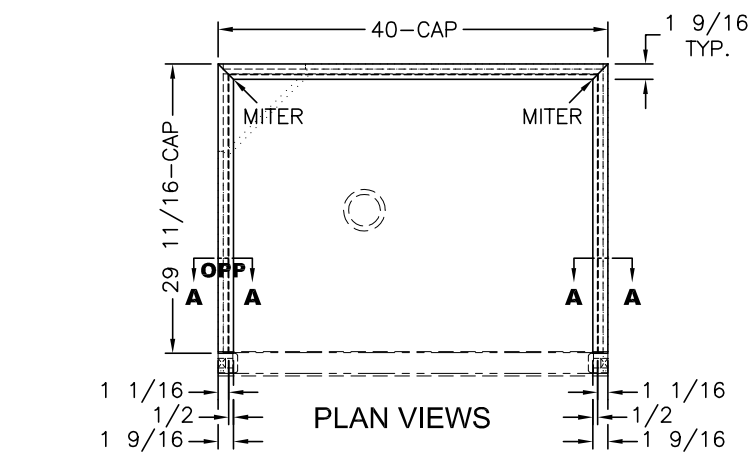
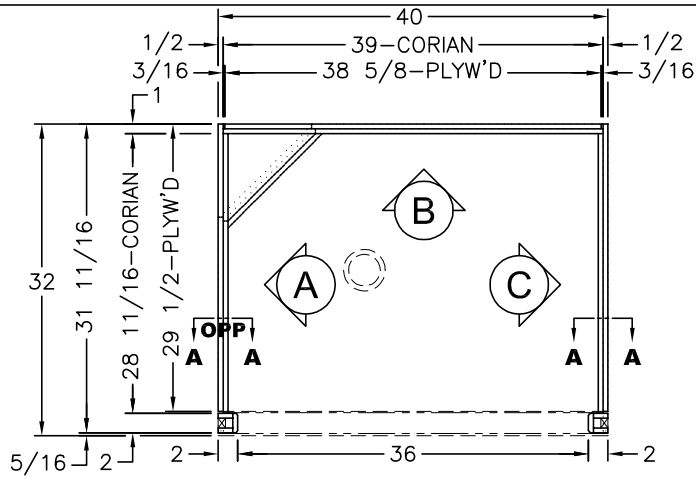
BACK OF CABINETS



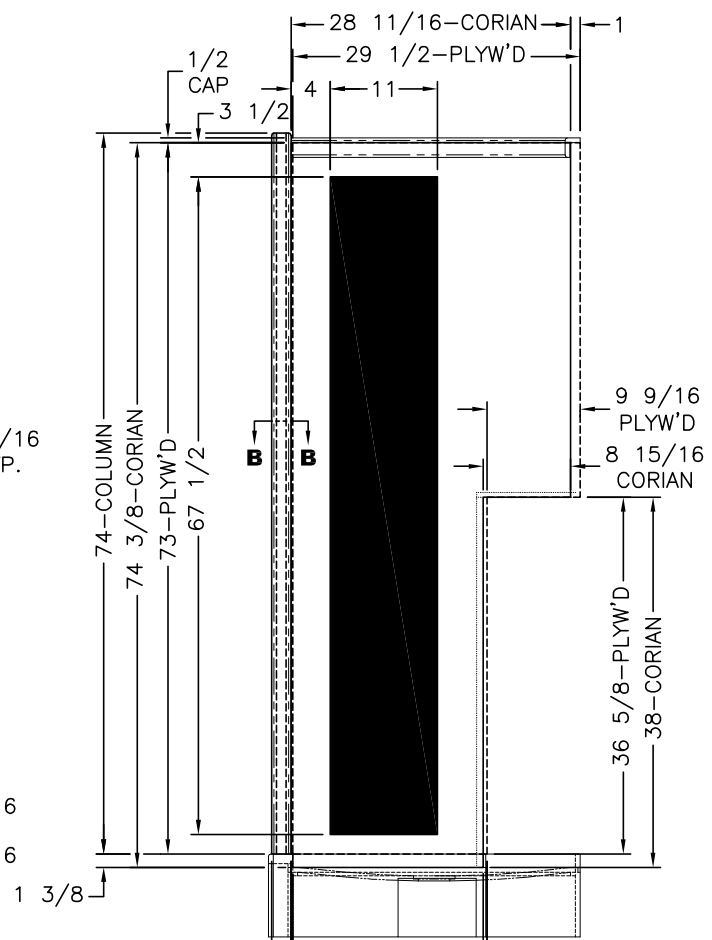
UNIT: # 530143
 DEALER: Tom Johnson
 SPECIAL: # 111

OHC FRONTS/BACK

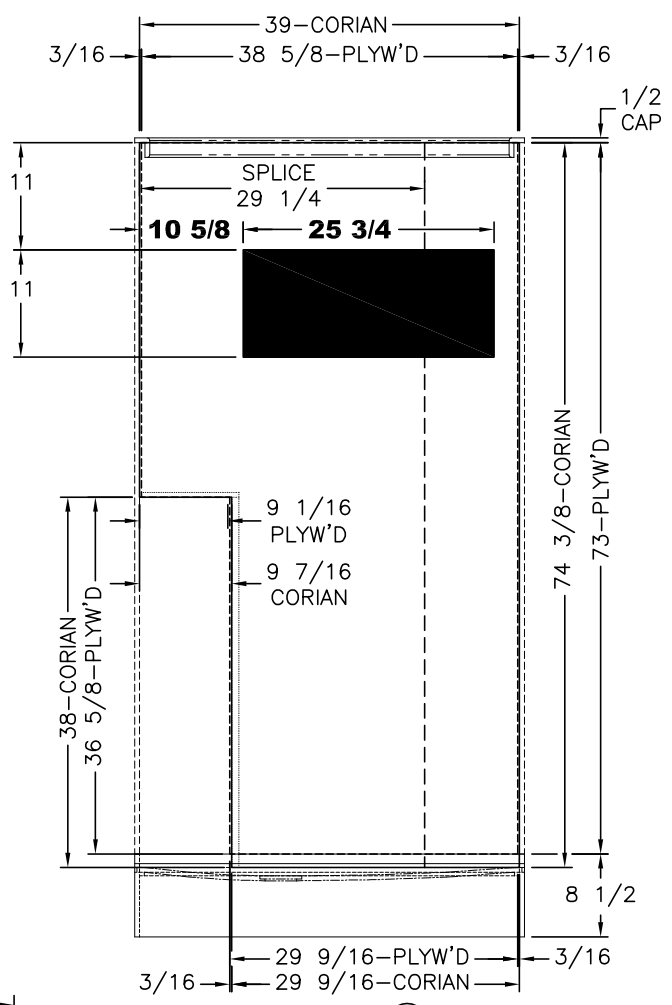
NEWMAR CORP P.O. Box 30, Nappanee, IN. 46550 Title block--1-5TB	Model: KG DB 4582	Sheet 2 OF 2	Drawn by: L. D. B.	Checked by: M. W.	Revision:	By:
	Title: ODS SOFA/DINETTE OHC	I.D. # 2013\ SPECIALS\MOT\ 1110DS_OH	Date: 3/30/12	Date: 4/17/12	Revision:	Date:



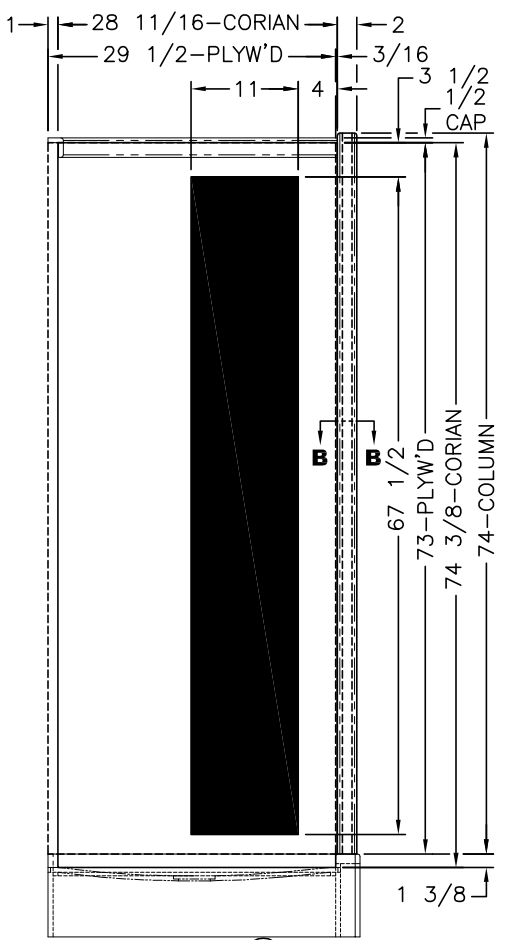
PLAN VIEWS



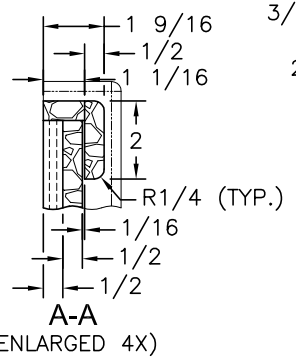
VIEW (A)



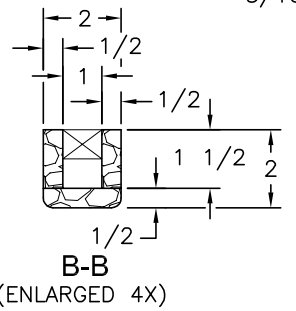
VIEW (B)



VIEW (C)



A-A (ENLARGED 4X)



B-B (ENLARGED 4X)

SOLID DENOTES 3/8" RECESS FOR TILE INLAY

PLEASE ACKNOWLEDGE AND DATE THE FOLLOWING ORDER/PRINT FOR APPROVAL TO BUILD, AND FAX TO NEWMAR (AT 574-773-2895) AS SOON AS POSSIBLE
 DATE: _____
 SIGN: _____

PLAN VIEWS/WALLS/DETAILS
 UNIT: # 530143
 DEALER: Tom Johnson
 SPECIAL: # 111

NEWMAR CORP P.O. Box 30, Nappanee, IN. 46550	Model: KG DB 4582	Sheet 1 OF 2	Drawn by: L. D. B.	Checked by: M. W.	Revision:	By:
	Title: SOLID SURFACE SHOWER WALLS	I.D. # 2013\SPECIALS\MOT\111SHOWER	Date: 4/4/12	Date: 4/10/12	Revision:	Date:
Title block--75TB						By:
						Date:

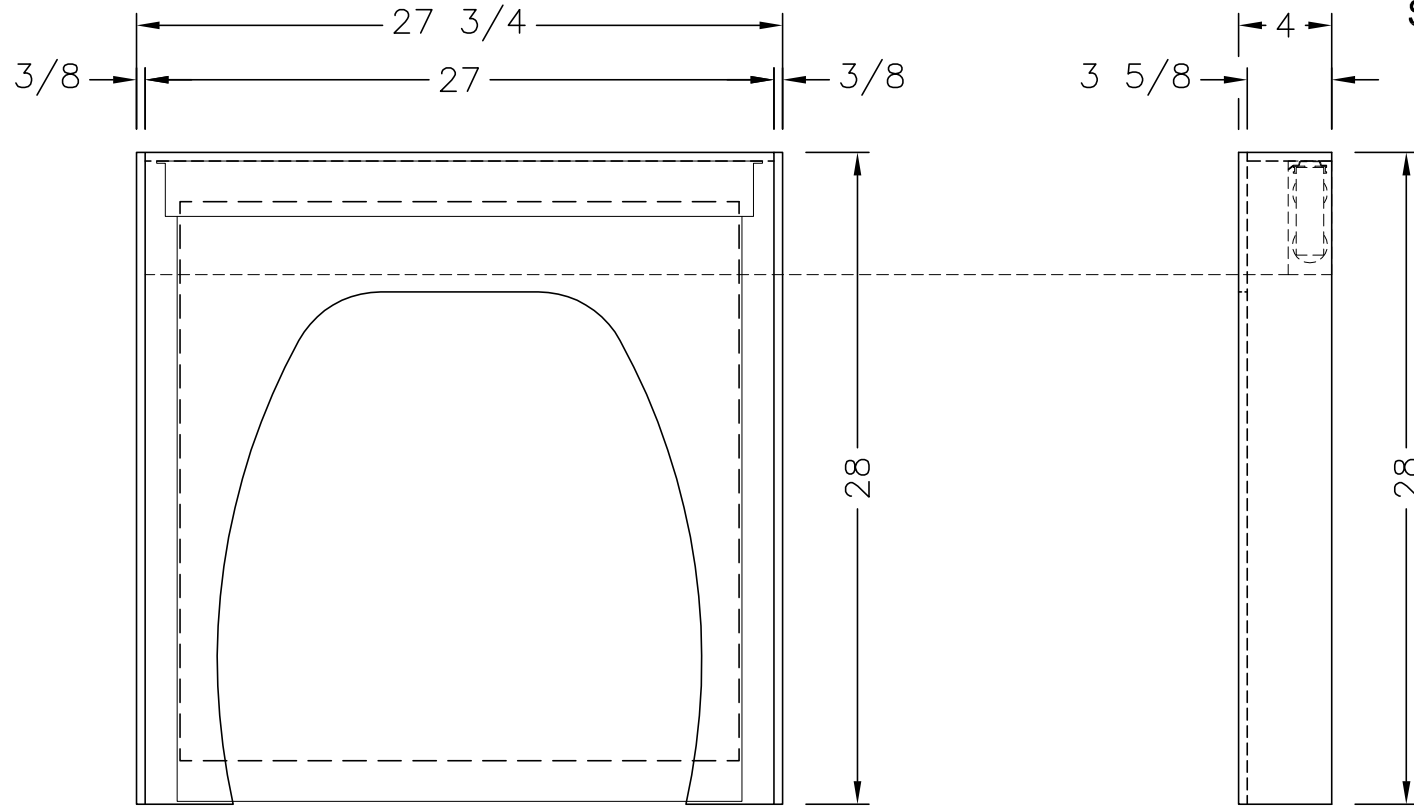
ITEM #	QTY	NEWMAR #	DESCRIPTION
1	1	114120	POWER SHADE 26X27.5

**KGDB
N281**

PLEASE ACKNOWLEDGE AND DATE THE FOLLOWING ORDER/PRINT FOR APPROVAL TO BUILD, AND FAX TO NEWMAR (AT 574-773-2895) AS SOON AS POSSIBLE

DATE: _____

SIGN: _____



FRONT VIEW

SIDE VIEW

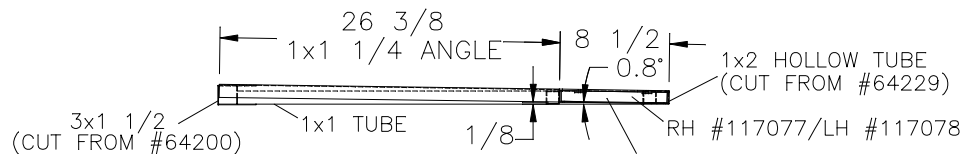
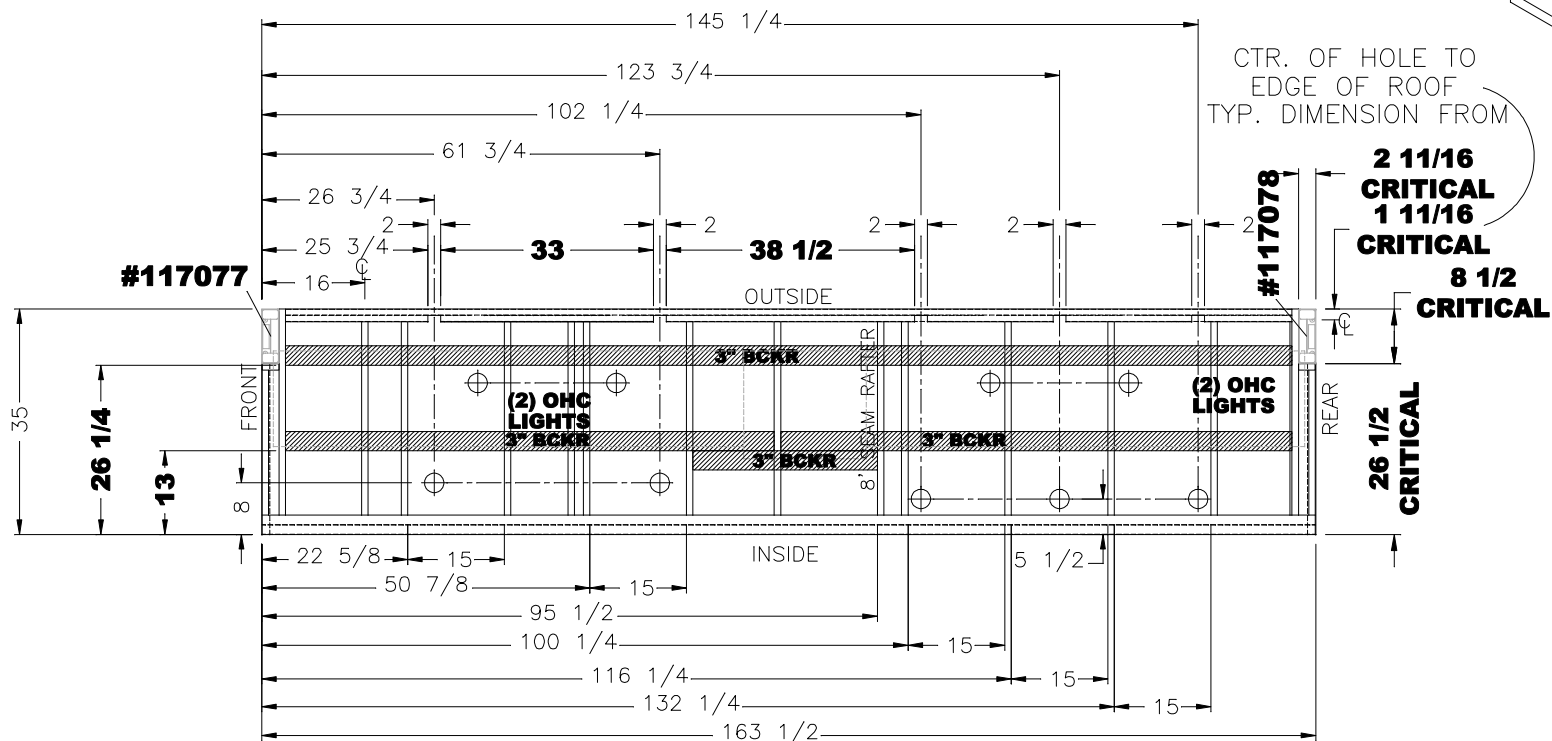
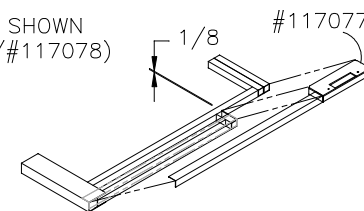
9mm LUAN FABRIC WRAPPED
(UNLESS SPECIFIED OTHERWISE)

UNIT: # 530143
DEALER: Tom Johnson
SPECIAL: # 111

NEWMAR CORP P.O. Box 30, Nappanee, IN. 46550	Model: KG DB 4582 (N281)	Sheet 1 OF 1	Drawn by: L. D. B.	Checked by: M. W.	Revision:	By:
	Title: 24x24 LIVINGROOM WINDOW VALANCE	I.D. # 2013\ SPECIALS\MOT\ 111VAL2424	Date: 3/30/12	Date: 4/10/12	Revision:	Date:
Title block--1-5TB						By:
						Date:

ITEM #	QTY	NEWMAR #	DESCRIPTION
1	1	117077	RH MECHANICAL LOCK MOUNTING PLATE
2	1	117078	LH MECHANICAL LOCK MOUNTING PLATE

RIGHT HAND SHOWN
(LEFT OPP. W/#117078)



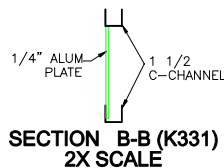
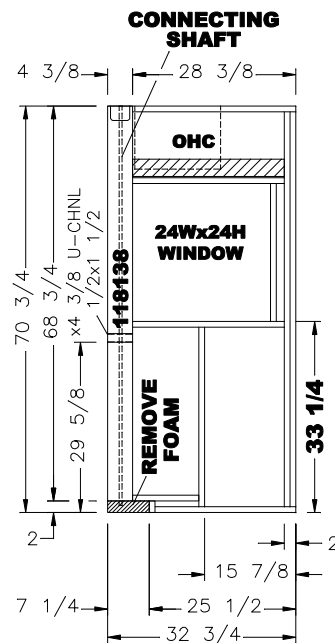
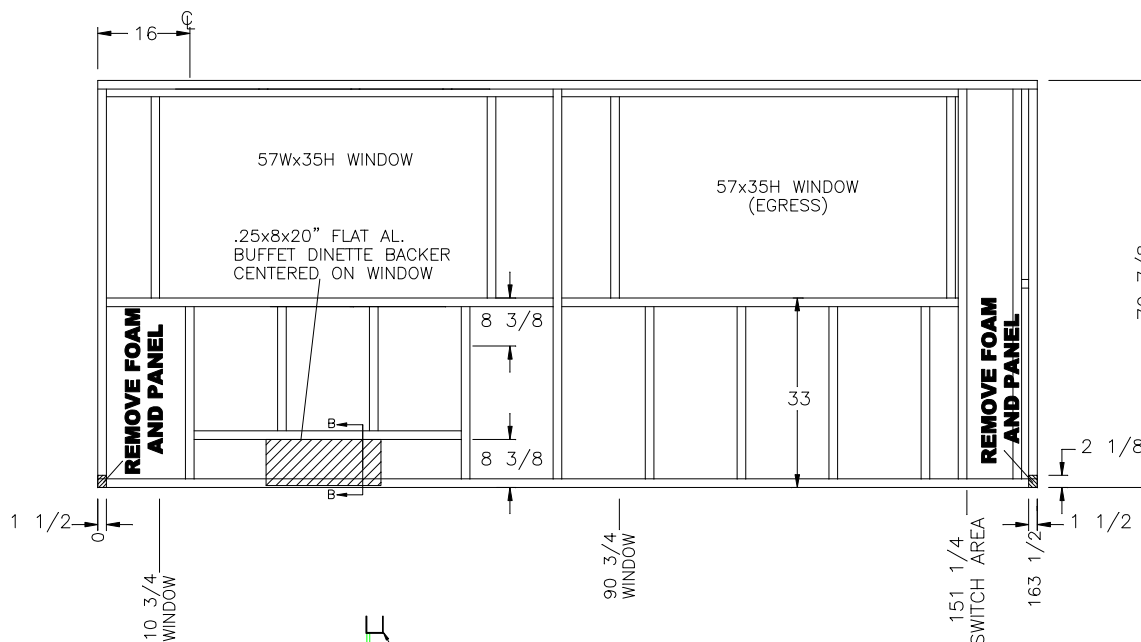
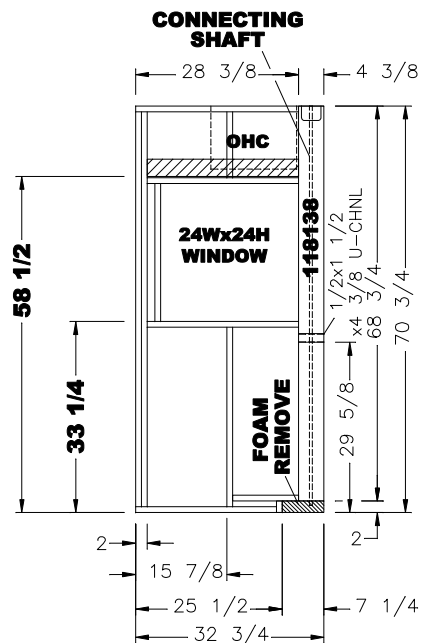
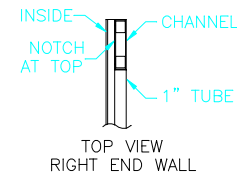
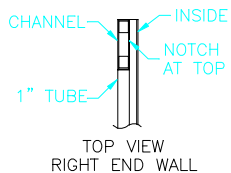
NOTE: ROOF MOUNTING PLATE FOR LOCK ARM TO BE AT SAME SLOPE AS ANGLE

UNIT: # 530143
DEALER: Tom Johnson
SPECIAL: # 111

NOTE:
VIEW IS FROM INTERIOR

NEWMAR CORP P.O. Box 30, Nappanee, IN. 46550 Title block--75TB	Model: KG DB 4582 (K331)	Sheet 1 OF 1	Drawn by: L. D. B.	Checked by: M. W.	Revision:	By:
	Title: 170 1/2 LR S-0 RAFTERS	I.D. # 2013 SPECIALS\MOT 111LR_RF	Date: 3/30/12	Date: 4/11/12	Revision:	By:

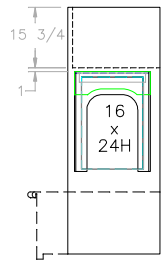
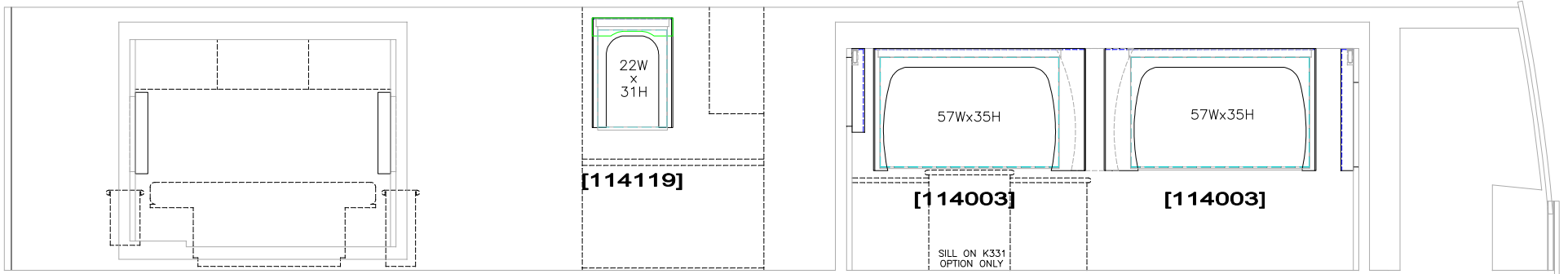
ITEM #	QTY	NEWMAR #	DESCRIPTION
1	2	118138	4 3/8" x 68 3/4" CHANNEL ASSEMBLY



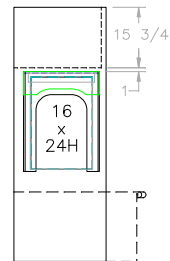
- NOTES:
- 1.) MAIN WALL - 1 1/2x1 1/2 ALUMINUM STUDS.
 - 2.) END WALLS - 1x1 ALUMINUM STUDS.
 - 3.) ALL WALLS DRAWN AS IN JIG POSITION.
 - 4.) STUDS SPACED 16" ON CENTER.
 - 5.) TYPICAL 3" BACKER UNLESS SPECIFIED OTHERWISE

UNIT: # 530143
 DEALER: Tom Johnson
 SPECIAL: # 111

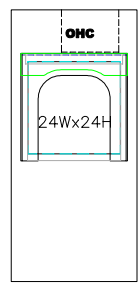
NEWMAR CORP P.O. Box 30, Nappanee, IN. 46550	Model: KG DB 4582 (K331)	Sheet 1 OF 1	Drawn by: L. D. B.	Checked by: M. W.	Revision:	By:
	Title: 170 1/2 LR S-O WALLS	I.D. # 2013\ SPECIALS\MOTV\ 111LR_WLS	Date: 3/30/12	Date: 4/11/12	Revision:	Date:
Title block--5TB						By:
						Date:



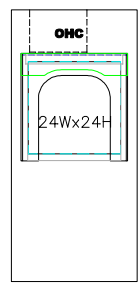
[118871]



[118871]



[114120]



[114120]

UNIT: # 530143
 DEALER: Tom Johnson
 SPECIAL: # 111

N281 - [XXXXXXXX]

NEWMAR CORP P.O. Box 30, Nappanee, IN. 46550 Title block--3125TB	Model: (N281)(K331) KG DB 4582	Sheet 1 OF 1	Drawn by: L. D. B.	Checked by: M. W.	Revision:	By:
	Title: ODS VALANCES/SHADES	I.D. # 2013\ SPECIALS\MOTV 111SHADE	Date: 3/30/12	Date: 4/10/12	Revision:	By: