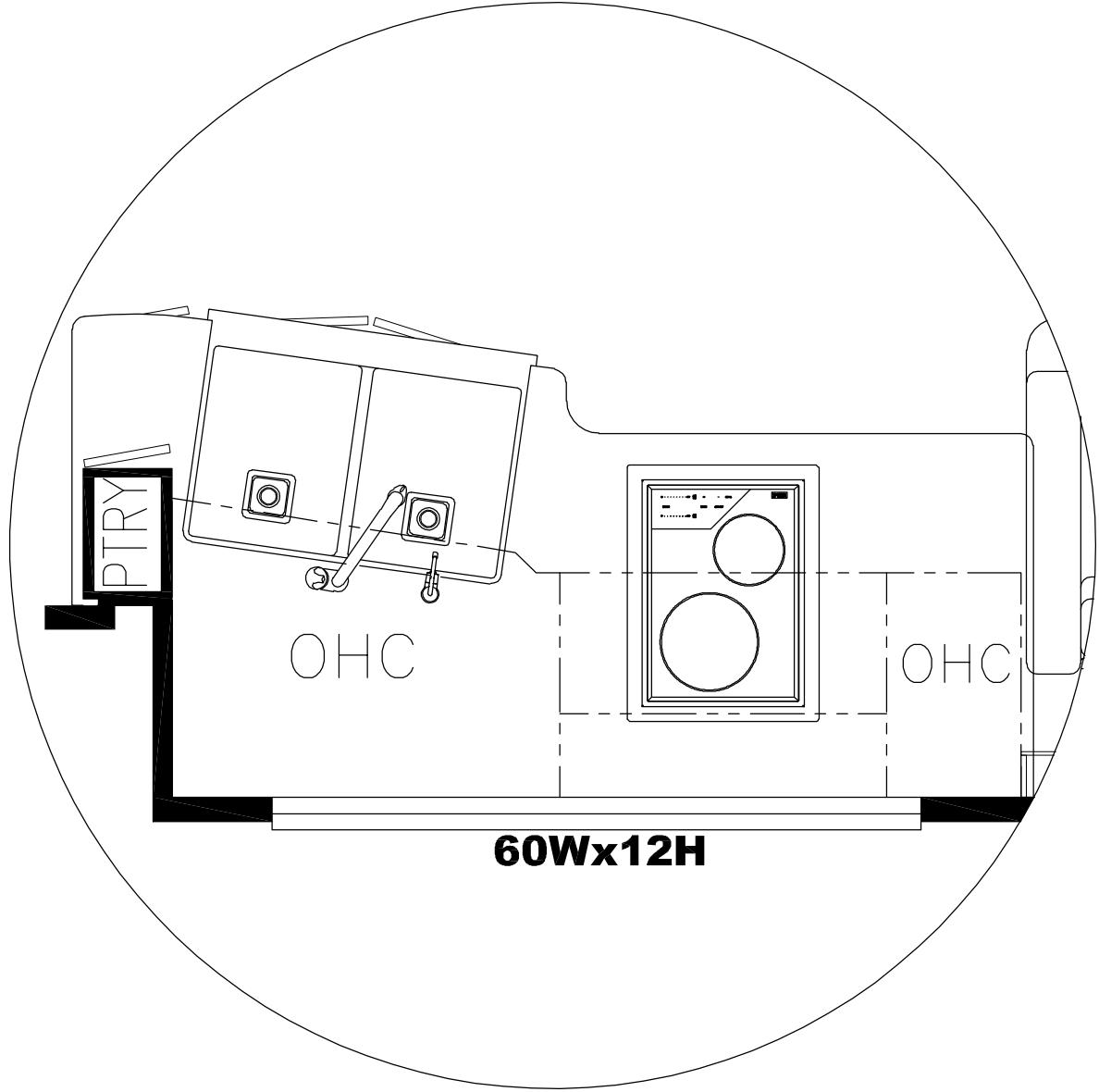


PLEASE ACKNOWLEDGE AND DATE THE FOLLOWING ORDER/PRINT FOR APPROVAL TO BUILD, AND FAX TO NEWMAR (AT 574-773-2895) AS SOON AS POSSIBLE

DATE: \_\_\_\_\_  
SIGN: \_\_\_\_\_

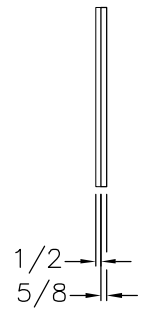
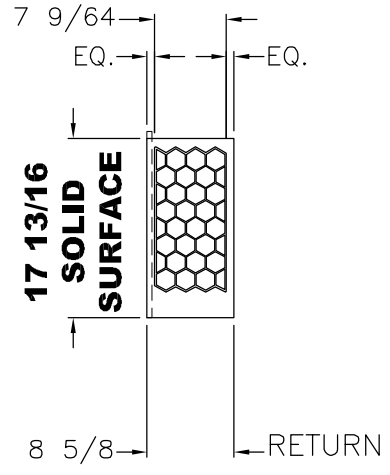
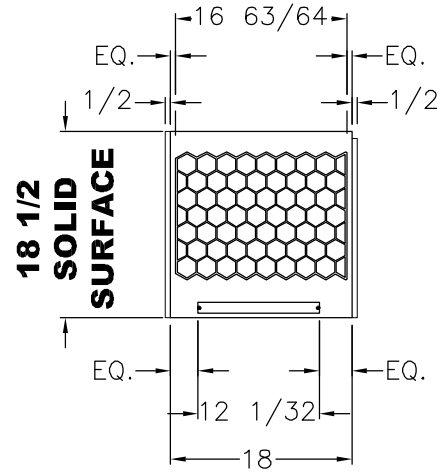
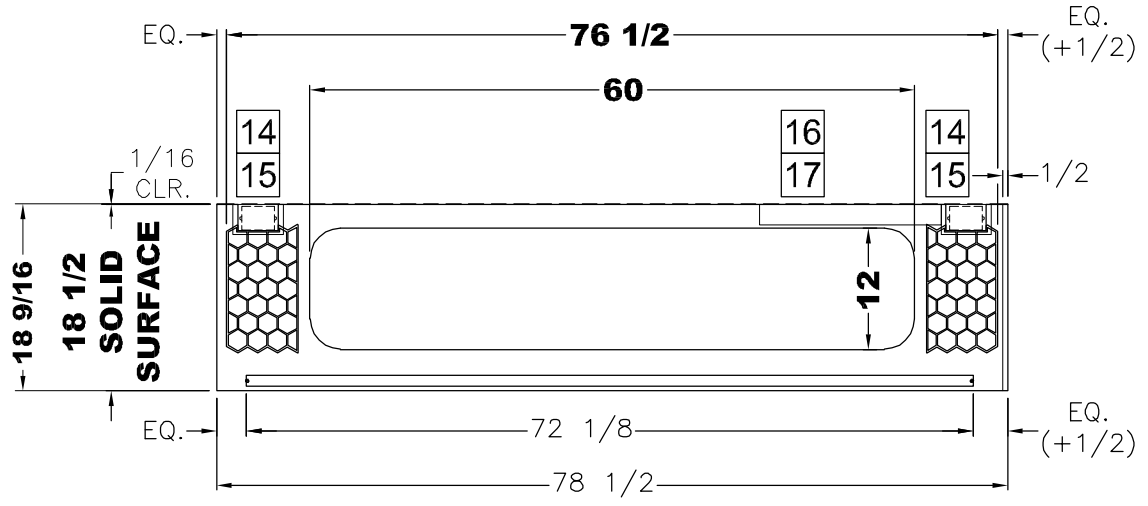


UNIT: # 530532  
DEALER: North Trail RV  
SPECIAL: # 324

<b>NEWMAR CORP</b> P.O. Box 30, Nappanee, IN. 46550 UNITS: INCHES TITLE BLOCK: 3125TB	Model:	Sheet	Drawn by:	Checked by:	Revision:	By:
	KG DB 4531	1 OF 1	R. N.	Z. R.		Date:
	Title:	I.D. # 2019\	Date:	Date:	Revision:	By:
	FLOOR PLAN	SPECIALS\MOT\	4/20/18	4/23/18		Date:
		324FP				

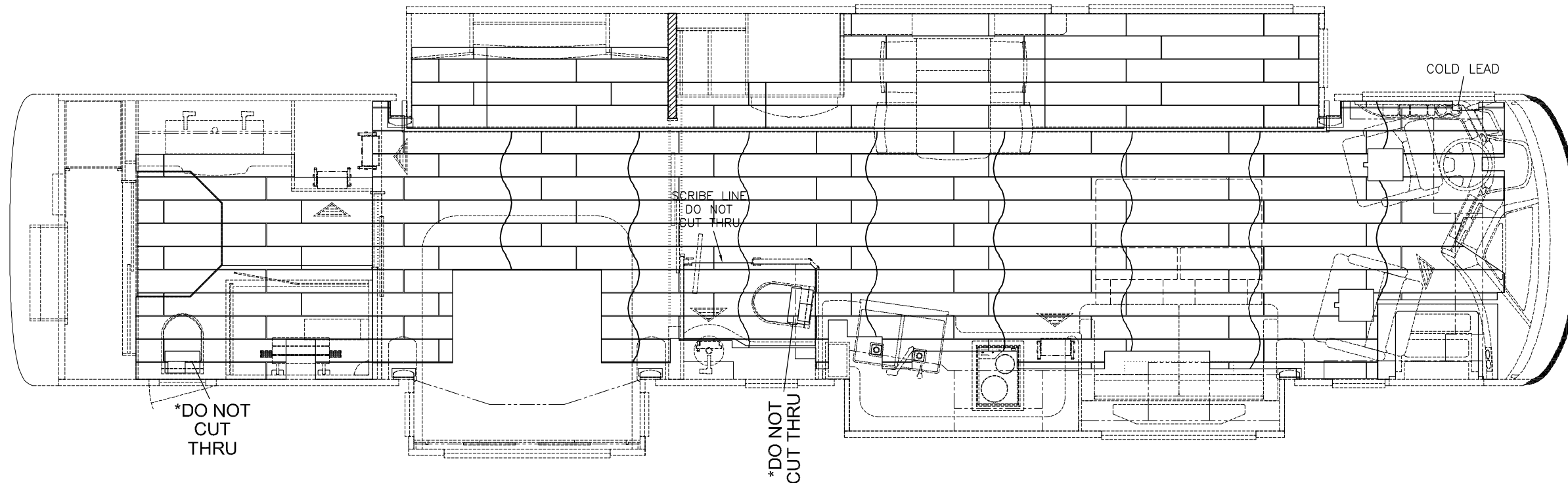
ITEM #	QTY	NEWMAR #	DESCRIPTION
14	2	130335	CONTROL BOX
15	2	130338	GFCI
16	1	130333	18" TRACK
17	1	130337	USB MODULE

PLEASE ACKNOWLEDGE AND DATE THE FOLLOWING ORDER/PRINT FOR APPROVAL TO BUILD, AND FAX TO NEWMAR (AT 574-773-2895) AS SOON AS POSSIBLE  
 DATE: \_\_\_\_\_  
 SIGN: \_\_\_\_\_



UNIT: # 530532  
 DEALER: North Trail RV  
 SPECIAL: # 324

<b>NEWMAR CORP</b> P.O. Box 30, Nappanee, IN. 46550 UNITS: INCHES TITLE BLOCK: 75TB	Model:	Sheet	Drawn by:	Checked by:	Revision:	By:
	KG DB 4531	1 OF 1	R. N.	Z. R.		Date:
	Title:	I.D. # 2019\	Date:	Date:	Revision:	By:
	KITCHEN BACKSPLASH	SPECIALS\MOT\	4/20/18	4/23/18		Date:
		324KT				



## 2018 EX DP TILE 7 3/4 x 47

PLEASE ACKNOWLEDGE AND DATE THE FOLLOWING ORDER/PRINT FOR APPROVAL TO BUILD, AND FAX TO NEWMAR (AT 574-773-2895) AS SOON AS POSSIBLE  
 DATE: \_\_\_\_\_  
 SIGN: \_\_\_\_\_

UNIT: # 530532  
 DEALER: North Trail RV  
 SPECIAL: # 324

<b>NEWMAR CORP</b> P.O. Box 30, Nappanee, IN. 46550 UNITS: INCHES TITLE BLOCK: 3125TB	Model:	(K138)	Sheet	1 OF 1	Drawn by:	R. N.	Checked by:	Z. R.	Revision:		By:
	Title:	TILE LAYOUT	I.D. # 2019\	SPECIALS\MOT\	324TILE	Date:	4/20/18	Date:	4/23/18	Revision:	