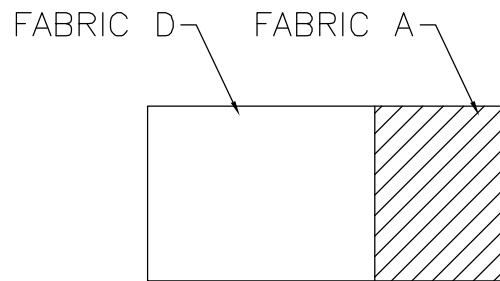
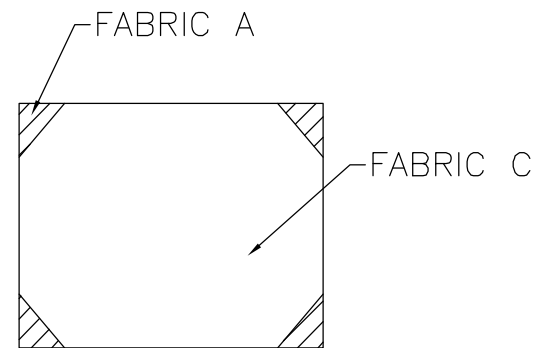


FABRIC LETTER	DECOR' NUMBER	DESCRIPTION
FABRIC "A"	KG20-120 "A"	OASIS 445-5035 OVERCAST GREY
FABRIC "C"	KG20-120 "C"	STEPIN OUT-SNOW
FABRIC "D"	KG20-120 "D"	WAVY OCEAN SNOW CRYSTAL



SOFA PILLOW



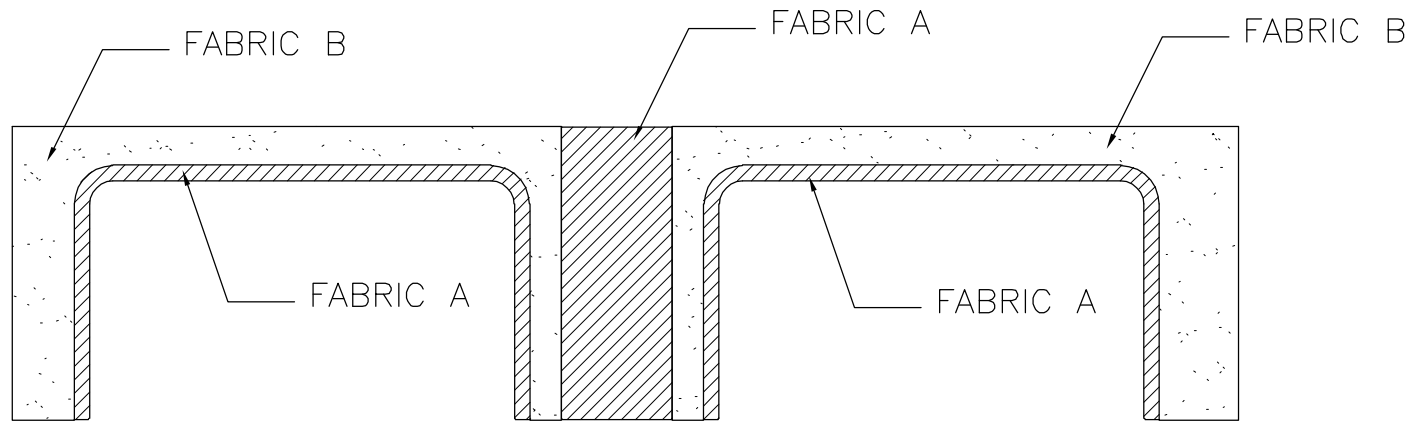
SOFA PILLOW

UNIT: # 530599
 DEALER: The Hitch House
 SPECIAL: # 447

NOTE: GENERAL VISUAL REPRESENTATION OF INTERIOR COMPONENTS. NOT FOR DIMENSIONAL USE.

NEWMAR CORP P.O. Box 30, Nappanee, IN. 46550	Model:	Sheet	Drawn by:	Checked by:	Revision:	By:
	KG DB 4569	1 OF 1	R. N.	Z. R.		Date:
UNITS: INCHES	Title: FABRIC CALL OUTS SOFA PILLOWS	I.D. # 2020\ SPECIALS\MOT\ 447FAB	Date:	Date:	Revision:	By:
TITLE BLOCK: 1-5TB			6/21/19	6/21/19		Date:

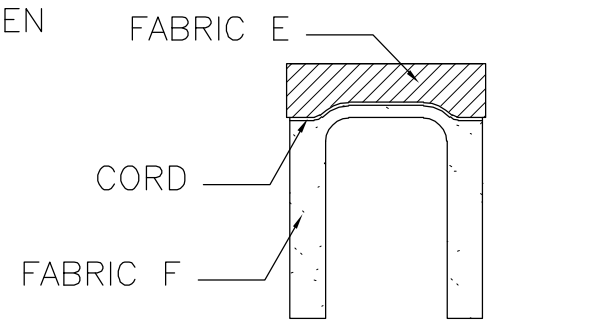
FABRIC LETTER	DECOR' NUMBER	DESCRIPTION
FABRIC "A"	KG20-120 "A"	OASIS 445-5035 OVERCAST GREY
FABRIC "B"	KG20-120 "B"	ULTRASUEDE 5538 C:5536 ASH
FABRIC "E"	KG20-120 "E"	O4O3O PLATINUM
FABRIC "F"	KG20-120 "D"	WAVY OCEAN SNOW CRYSTAL
FABRIC "CORD"	KG20-120 "CORD"	CD6660-01-A SCOUR



MAIN FABRIC — 

ACCENT FABRIC — 

LIVINGROOM/KITCHEN

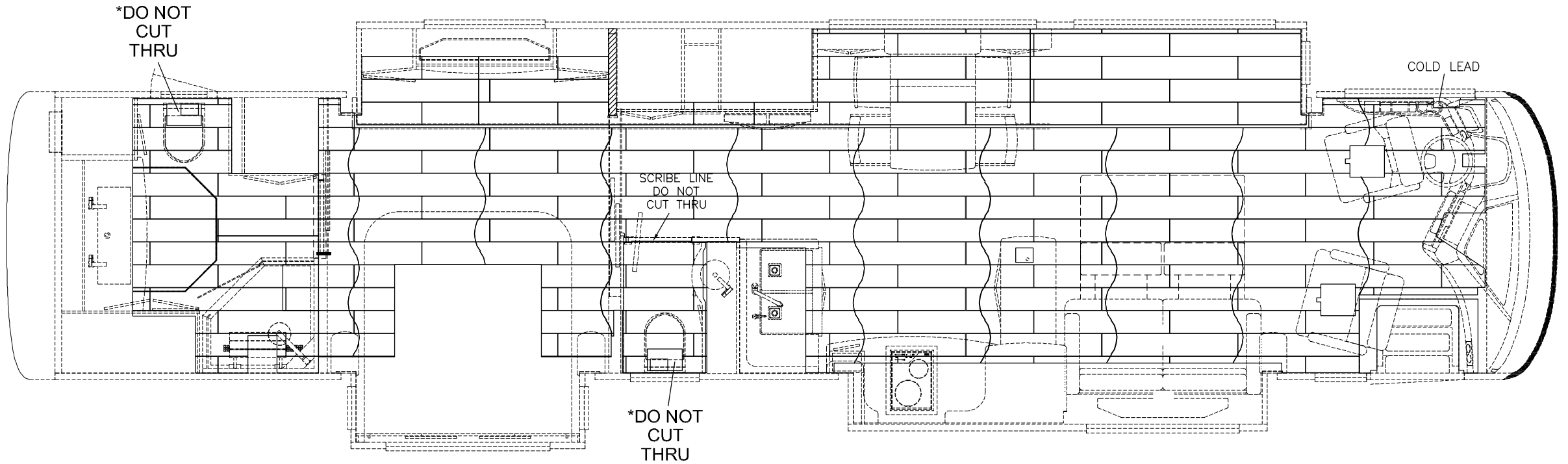


BEDROOM/BATHROOM

NOTE: GENERAL VISUAL REPRESENTATION OF INTERIOR COMPONENTS. NOT FOR DIMENSIONAL USE.

UNIT: # 530599
 DEALER: The Hitch House
 SPECIAL: # 447

NEWMAR CORP P.O. Box 30, Nappanee, IN. 46550	Model:	Sheet	Drawn by:	Checked by:	Revision:	By:
	KG DB 4569	1 OF 1	R. N.	Z. R.		Date:
UNITS: INCHES	Title: FABRIC CALL OUTS VALANCES	I.D. # 2020\ SPECIALS\MOT\ 447FAB	Date:	Date:	Revision:	By:
TITLE BLOCK: 1-5TB			6/21/19	6/21/19		Date:



**2020 EX DP TILE
(BRICK PATTERN)
7 3/4 x 47**

PLEASE ACKNOWLEDGE AND DATE THE FOLLOWING ORDER/PRINT FOR APPROVAL TO BUILD, AND FAX TO NEWMAR (AT 574-773-2895) AS SOON AS POSSIBLE
 DATE: _____
 SIGN: _____

UNIT: # 530599
 DEALER: The Hitch House
 SPECIAL: # 447

NEWMAR CORP P.O. Box 30, Nappanee, IN. 46550 UNITS: INCHES TITLE BLOCK: 3125TB	Model: KG DB 4569 (K138)	Sheet 1 OF 1	Drawn by: R. N.	Checked by: Z. R.	Revision:	By:
	Title: TILE LAYOUT	I.D. # 2020\ SPECIALS\MOT\ 447TILE	Date: 6/21/19	Date: 6/21/19	Revision:	Date: