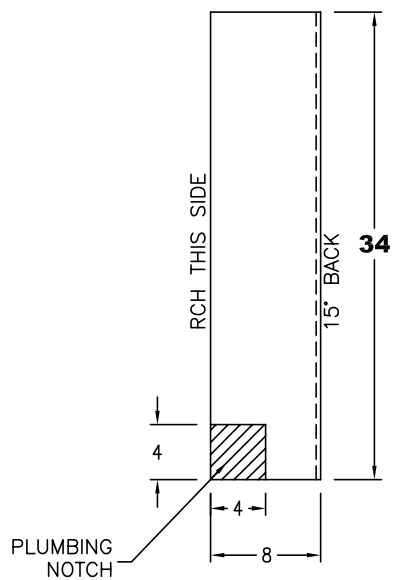
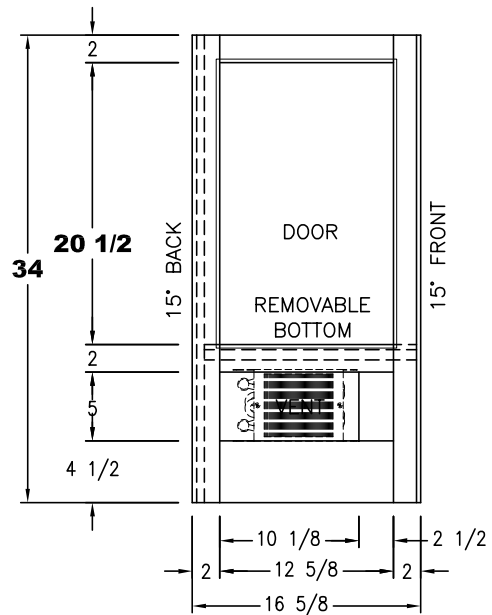


PLEASE ACKNOWLEDGE AND DATE THE FOLLOWING ORDER/PRINT FOR APPROVAL TO BUILD, AND FAX TO NEWMAR (AT 574-773-2895) AS SOON AS POSSIBLE  
 DATE: \_\_\_\_\_  
 SIGN: \_\_\_\_\_

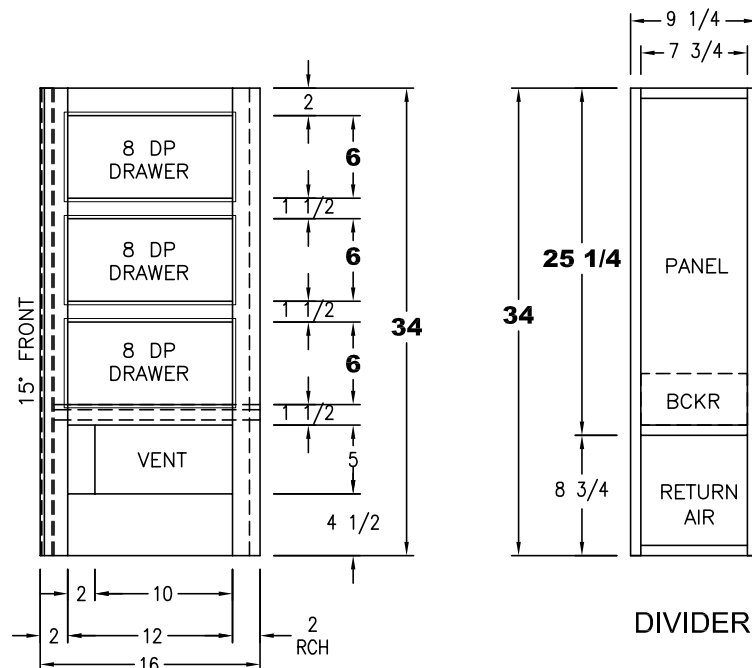


VIEW (A)



VIEW (B)

(2) 10 3/4x5 3/4 LOUVERED VENT



VIEW (C)

DIVIDER

UNIT: # 605747  
 DEALER: Dick Gores RV World  
 SPECIAL: # 711

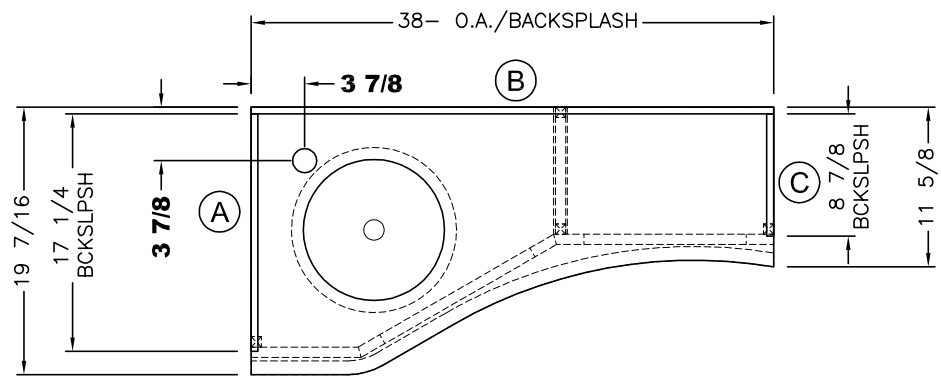
**(1) 13 1/8 X 21 DOOR**

**(3) 6 1/2 X 12 1/2 FRONTS**

<b>NEWMAR CORP</b> P.O. Box 30, Nappanee, IN. 46550	Model:	Sheet	Drawn by:	Checked by:	Revision:	By:
	DS DP 4381	1 OF 2	Z. R.	L. D. B.		Date:
Title block--1TB	Title:	I.D. # 2016\	Date:	Date:	Revision:	By:
	38 LAV BASE & TOP	SPECIALS\MOT\	8/27/15	8/28/15		Date:
		711LV				

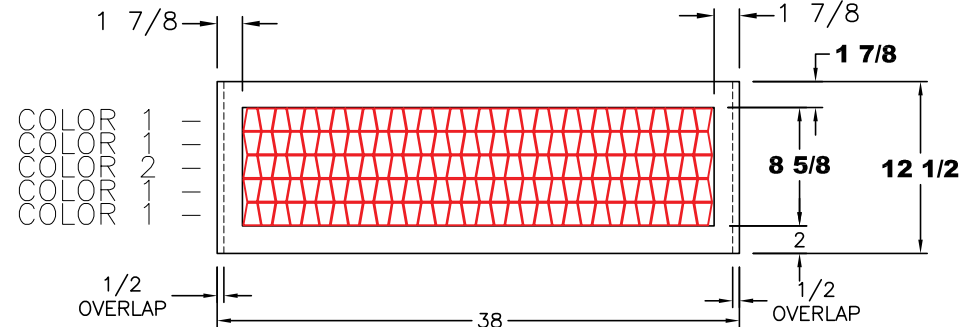
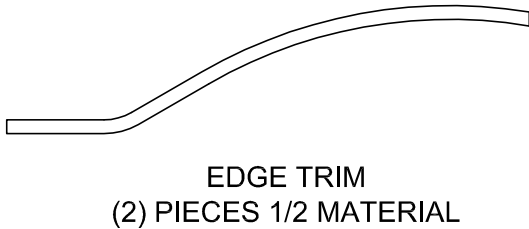
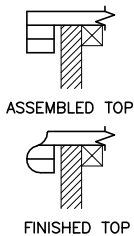
ITEM #	QTY	NEWMAR #	DESCRIPTION
1	1	113200	BOWL CORIAN LAV 10" BONE (C75700 BONE)

PLEASE ACKNOWLEDGE AND DATE THE FOLLOWING ORDER/PRINT FOR APPROVAL TO BUILD, AND FAX TO NEWMAR (AT 574-773-2895) AS SOON AS POSSIBLE  
 DATE: \_\_\_\_\_  
 SIGN: \_\_\_\_\_



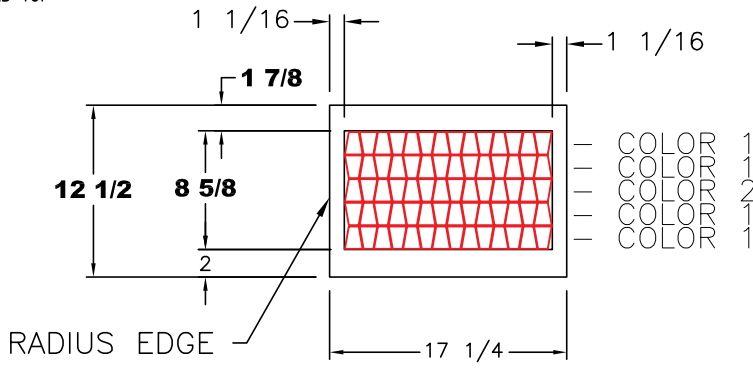
**1/2" COUNTER TOP THICKNESS**

- ▶ - DENOTES A FINISHED EDGE
- ◆ - DENOTES A BACKSPLASH

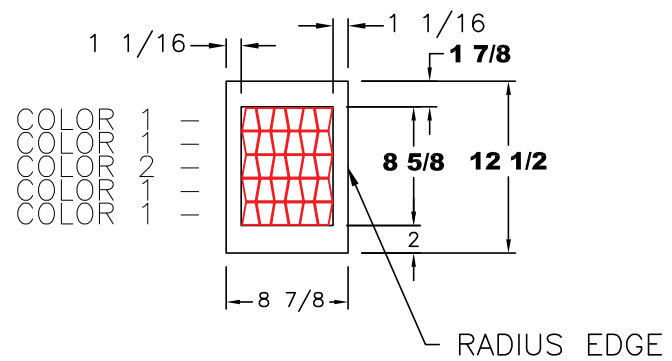


**VIEW (B)**

SHADED DENOTES 3/8" RECESS FOR TILE INLAY



**VIEW (A)**



**VIEW (C)**

UNIT: # 605747  
 DEALER: Dick Gores RV World  
 SPECIAL: # 711

<b>NEWMAR CORP</b> P.O. Box 30, Nappanee, IN. 46550	Model:	Sheet	Drawn by:	Checked by:	Revision:	By:
	DS DP 4381	2 OF 2	Z. R.	L. D. B.		Date:
Title:	I.D. # 2016\	Date:	Date:	Revision:	By:	Date:
Title block--1TB	38 LAV BASE & TOP	SPECIALS\MOT\	8/27/15	8/28/15		
		711LV				