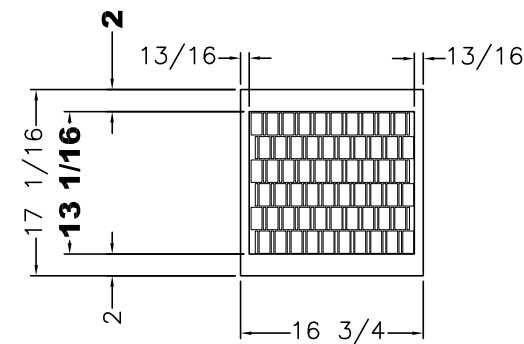
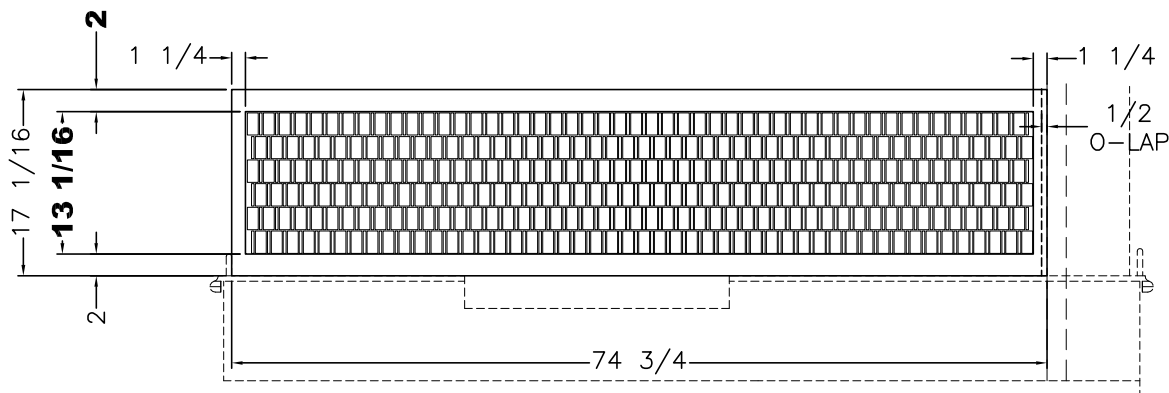
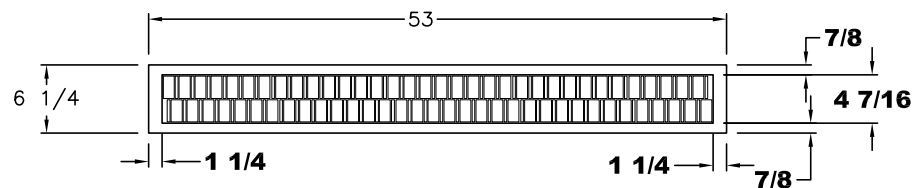
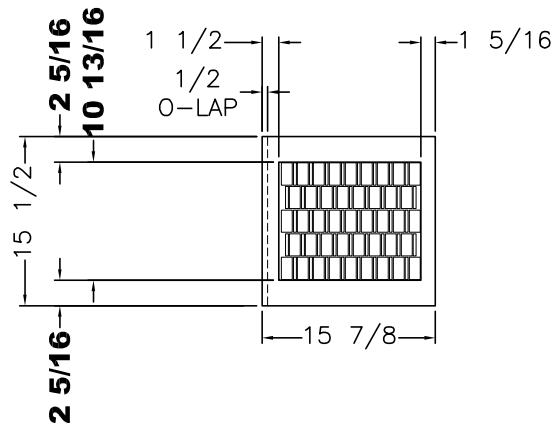
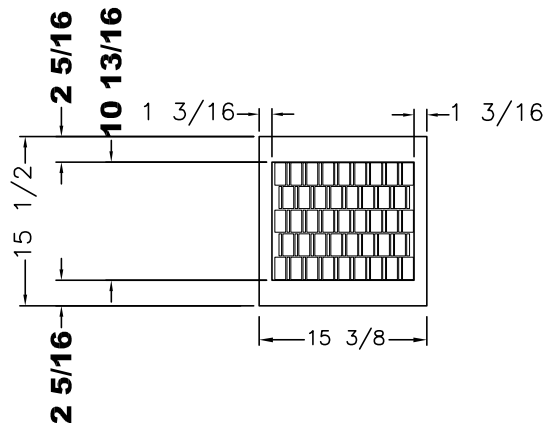


MA16-230 SPLASH TILE



KITCHEN BASE BACK SPLASH



REAR BATH BACK SPLASH

STOOL ROOM BACK SPLASH

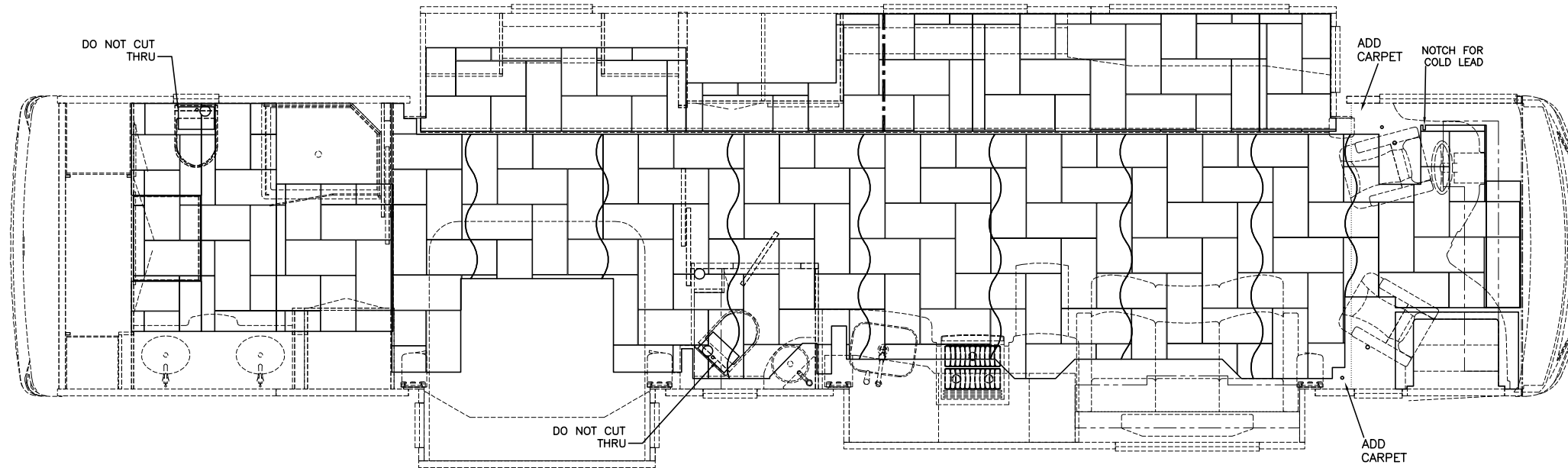
PLEASE ACKNOWLEDGE AND DATE THE FOLLOWING ORDER/PRINT FOR APPROVAL TO BUILD, AND FAX TO NEWMAR (AT 574-773-2895) AS SOON AS POSSIBLE
 DATE: _____
 SIGN: _____

UNIT: # 605791
 DEALER: Tom Johnson Camping
 SPECIAL: # 811

**SOLID DENOTES 1/4"
 RECESS FOR TILE INLAY**

NEWMAR CORP P.O. Box 30, Nappanee, IN. 46550	Model:	Sheet	Drawn by:	Checked by:	Revision:	By:
	DS DP 4369	1 OF 1	Z. R.	A. M.		Date:
Title block--75TB	Title:	I.D. #	Date:	Date:	Revision:	By:
	KIT AND BATH BACK SPLASHES	2016\ SPECIALS\MOT\ 811SPLASH	10/27/15	10/27/15		Date:

NOTE: ALL DIMENSIONS POINT TO TILE GEOMETRY EXCEPT WHERE NOTED



2016 LA DP TILE 11 5/8 x 23 5/16

PLEASE ACKNOWLEDGE AND DATE THE FOLLOWING ORDER/PRINT FOR APPROVAL TO BUILD, AND FAX TO NEWMAR (AT 574-773-2895) AS SOON AS POSSIBLE

DATE: _____

SIGN: _____

UNIT: # 605791
DEALER: Tom Johnson Camping
SPECIAL: # 811

NEWMAR CORP P.O. Box 30, Nappanee, IN. 46550 Title block--3125TB	Model: (K133)(K643) DS DP 4369	Sheet 1 OF 1	Drawn by: A. M.	Checked by:	Revision:	By:
	Title: STANDARD TILE LAYOUT	I.D. # 2016\ SPECIALS\MOT\ 811TILE	Date: 10/27/15	Date:	Revision:	