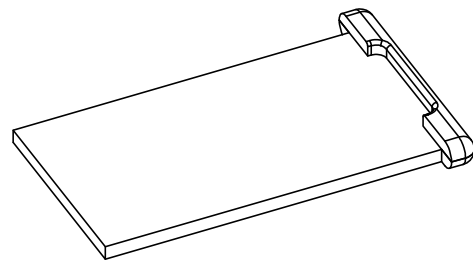
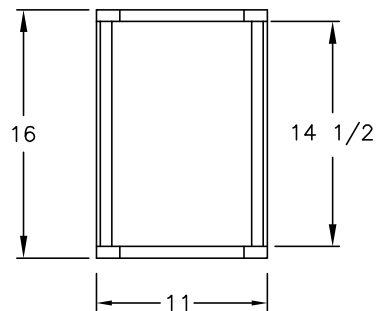


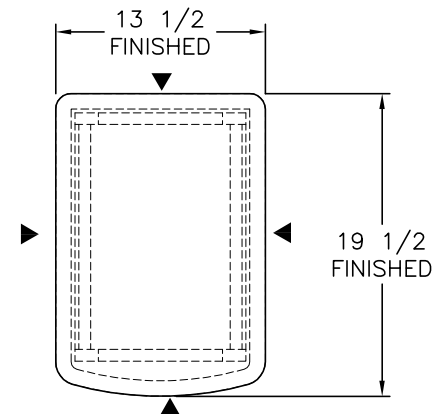
1/2 SOLID SURFACE
P-O SHELF



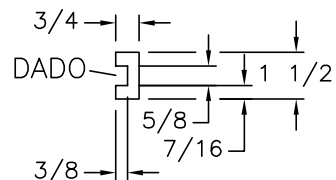
BOTTOM VIEW
(REFERENCE ONLY)



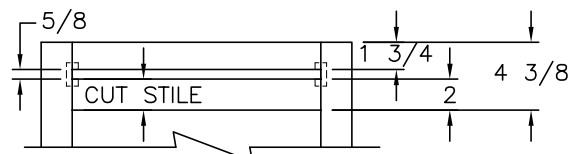
TOP VIEW



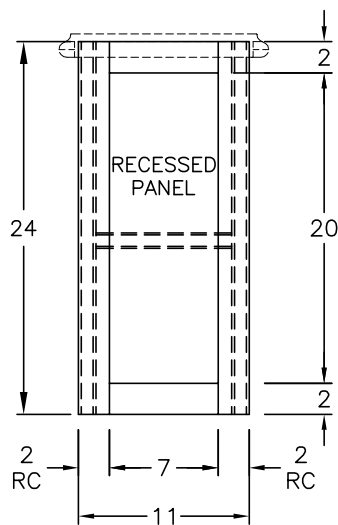
EDGE TRIM
(2) PIECES 1/2 MATERIAL



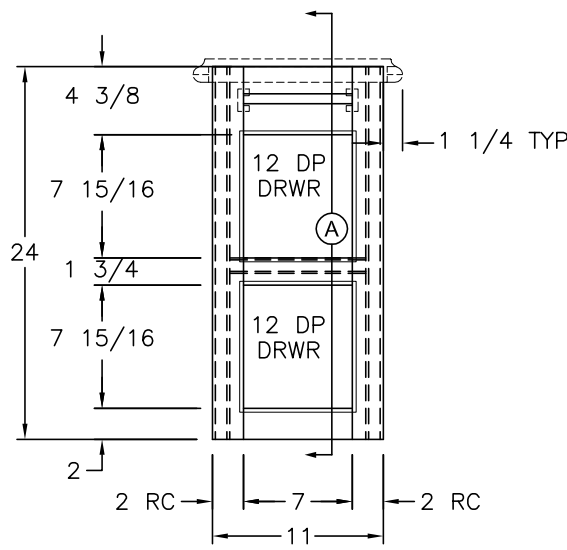
HARDWOOD
TRACK DETAIL
2X SCALE



CABINET BASE FRONT VIEW

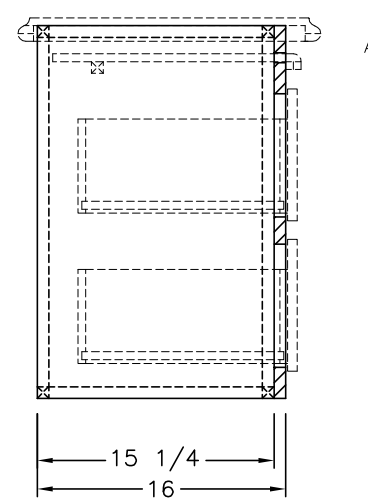


REAR VIEW



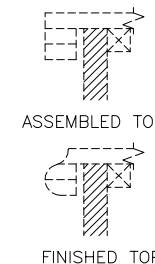
FRONT VIEW

(2) 7 1/2x8 1/2 FRONTS



SIDE SECTION (A)

▶ - DENOTES A FINISHED EDGE
1/2" SOLID SURFACE



PLEASE ACKNOWLEDGE AND DATE THE
FOLLOWING ORDER/PRINT FOR APPROVAL
TO BUILD, AND FAX TO NEWMAR (AT
574-773-2895) AS SOON AS POSSIBLE
DATE: _____
SIGN: _____

UNIT: # 605860
DEALER: Coachlight RV
SPECIAL: # 1037

NEWMAR CORP
P.O. Box 30,
Nappanee, IN. 46550

Model: (K643)
DS DP 4369
Title: FREE-STANDING LAMP STAND

Sheet 1 OF 1
I.D. # 2016\ SPECIALS\MOT\ 1037LAMP

Drawn by: Z. R.
Date: 10/21/15

Checked by: A. M.
Date: 10/22/15

Revision:

By:
Date:
By:
Date: