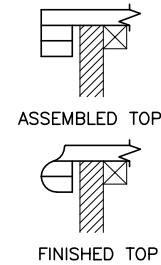
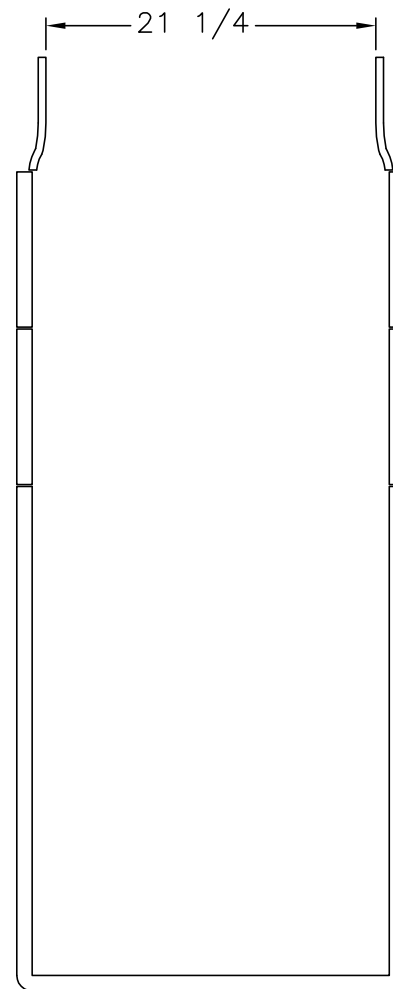
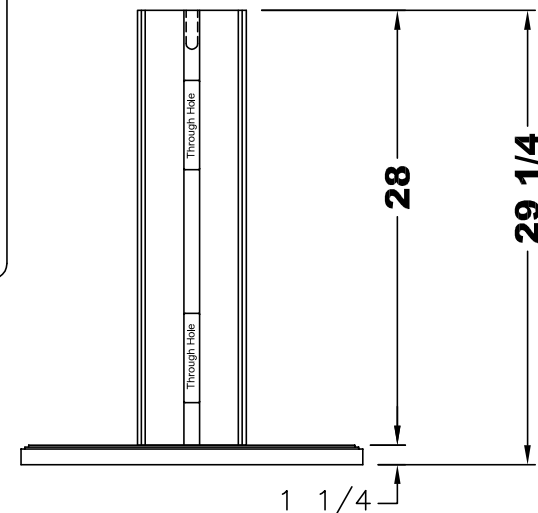


SECTION A-A



PLEASE ACKNOWLEDGE AND DATE THE FOLLOWING
 ORDER/PRINT FOR APPROVAL TO BUILD, AND FAX TO
 NEWMAR (AT 574-773-2895) AS SOON AS POSSIBLE
 DATE: _____
 SIGN: _____



FREE STANDING LEG FOR TABLE

UNIT: # 605959
 DEALER: Tom Lindstrom RV
 SPECIAL: # 1331

1/2" SOLID SURFACE
CNC AS (1) PIECE

NEWMAR CORP P.O. Box 30, Nappanee, IN. 46550 UNITS: INCHES TITLE BLOCK: 1TB	Model: DS DP 4369 (K645)	Sheet 1 OF 1	Drawn by: Z. R.	Checked by: A. M.	Revision:	By:
	Title: 75" DINETTE BUFFET	I.D. # 2016\ SPECIALS\MOT\ 1331DT	Date: 1/13/16	Date: 1/13/16	Revision:	Date: