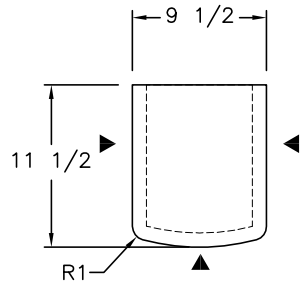


PLEASE ACKNOWLEDGE AND DATE THE FOLLOWING ORDER/PRINT FOR APPROVAL TO BUILD, AND FAX TO NEWMAR (AT 574-773-2895) AS SOON AS POSSIBLE
 DATE: _____
 SIGN: _____

UNIT: # 606022
 DEALER: National Indoor RV
 SPECIAL: # 1482

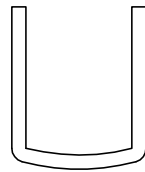
NEWMAR CORP P.O. Box 30, Nappanee, IN. 46550 UNITS: INCHES TITLE BLOCK: 1TB	Model:	DS DP 4018	Sheet	1 OF 2	Drawn by:	Z. R.	Checked by:	A. M.	Revision:		By:	
	Title:	86 KING BR S-O CABINETS	I.D. # 2016\ SPECIALS\MOT\ 1482CH	Date:	2/26/16	Date:	2/29/16	Revision:		By:		Date:



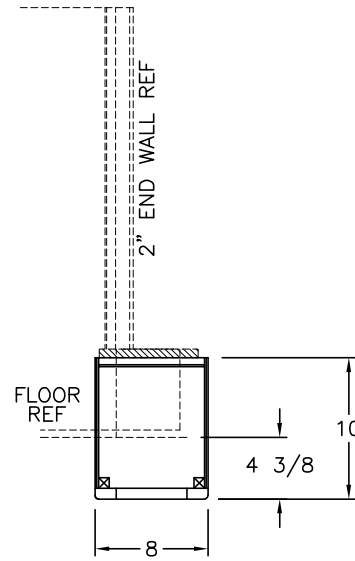
CHEST TOP

1/2" SOLID SURFACE

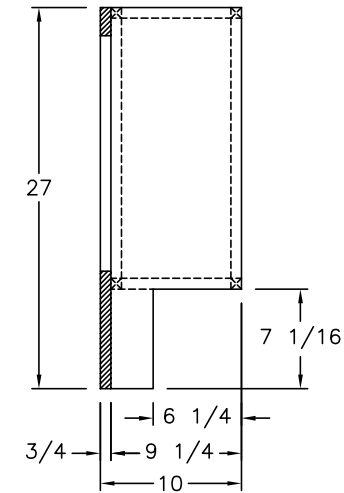
▶ - DENOTES A FINISHED EDGE



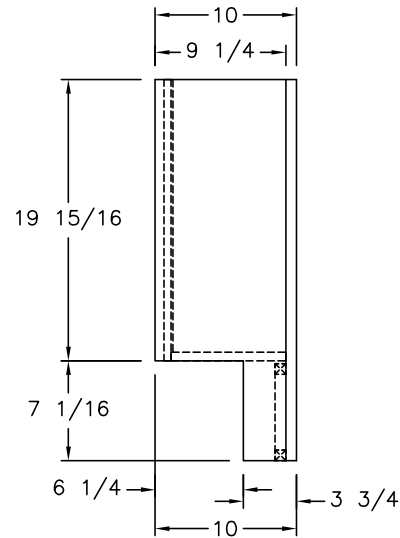
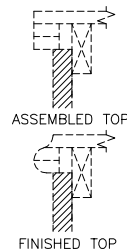
EDGE TRIM
(2) PIECES 1/2 MATERIAL



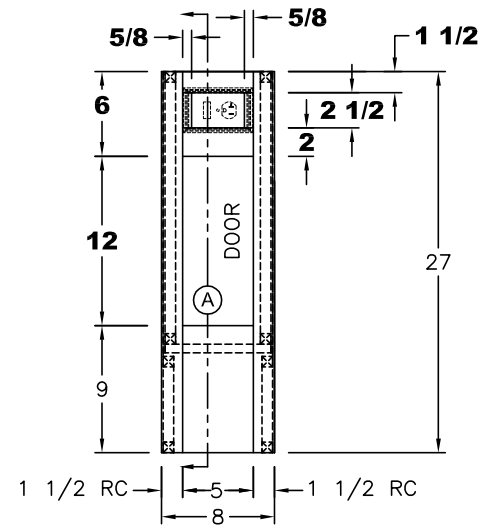
REAR CHEST
TOP VIEW



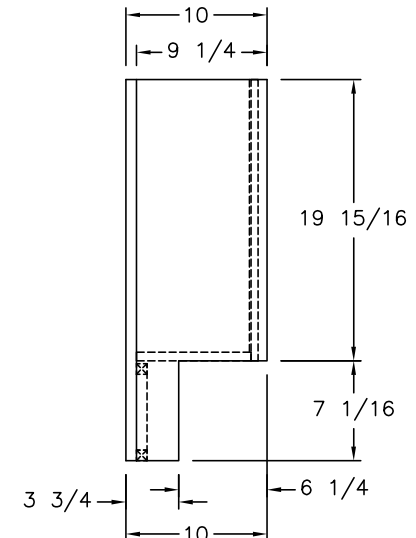
SIDE SECTION (A)



LT SIDE VIEW



(1) 5 3/4x21 DOOR
OVERHANG AT BOTTOM



RT SIDE VIEW

REAR CHEST

PLEASE ACKNOWLEDGE AND DATE THE FOLLOWING ORDER/PRINT FOR APPROVAL TO BUILD, AND FAX TO NEWMAR (AT 574-773-2895) AS SOON AS POSSIBLE
DATE: _____
SIGN: _____

UNIT: # 606022
DEALER: National Indoor RV
SPECIAL: # 1482

NEWMAR CORP P.O. Box 30, Nappanee, IN. 46550 UNITS: INCHES TITLE BLOCK: 1TB	Model:	DS DP 4018	Sheet	2 OF 2	Drawn by:	Z. R.	Checked by:	A. M.	Revision:		By:	
	Title:	86 KING BR S-O CABINETS	I.D. # 2016\ SPECIALS\MOT\ 1482CH	Date:	2/26/16	Date:	2/29/16	Revision:			By:	