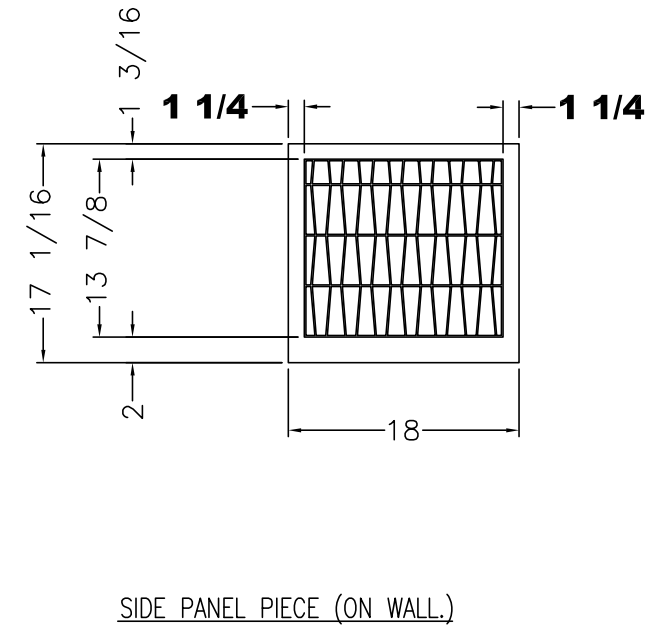
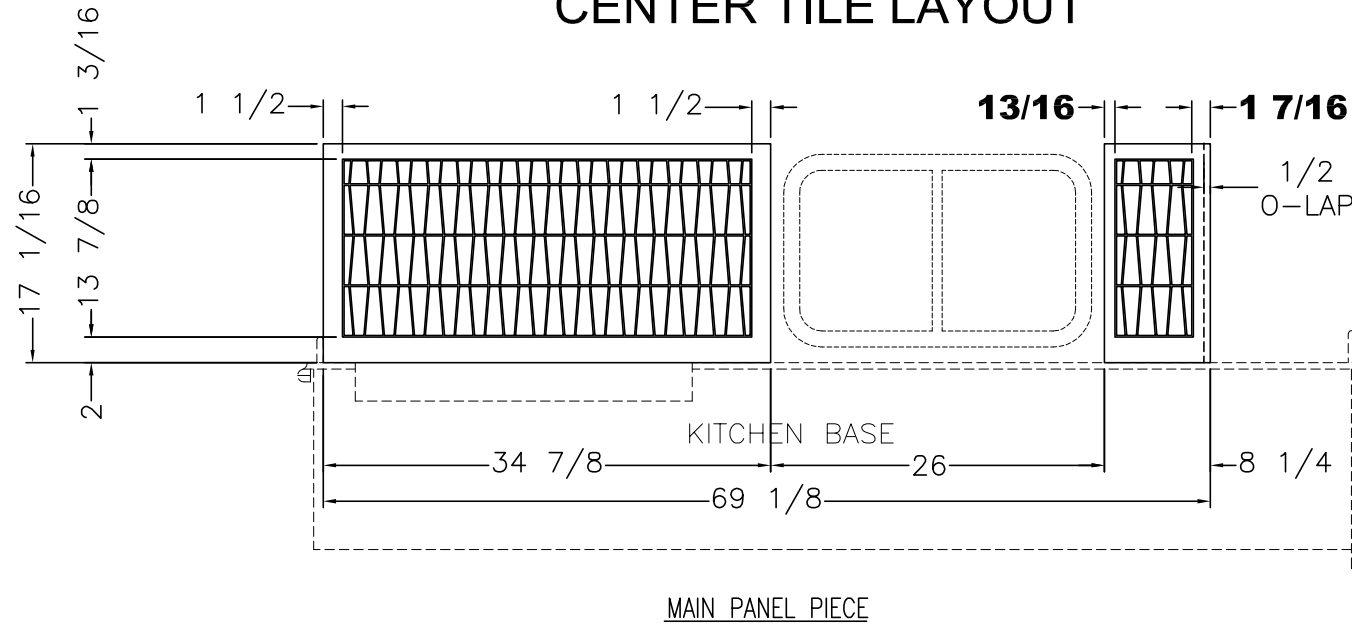


# 2017 KG DB BACKSPLASH TILE

PLEASE ACKNOWLEDGE AND DATE THE FOLLOWING ORDER/PRINT FOR APPROVAL TO BUILD, AND FAX TO NEWMAR (AT 574-773-2895) AS SOON AS POSSIBLE  
 DATE: \_\_\_\_\_  
 SIGN: \_\_\_\_\_

## CENTER TILE LAYOUT



## TILE/SOLID SURFACE BACKSPLASH

**SOLID DENOTES 3/8"  
 RECESS FOR TILE INLAY**

UNIT: # 606123  
 DEALER: Freedom RV  
 SPECIAL: # 288

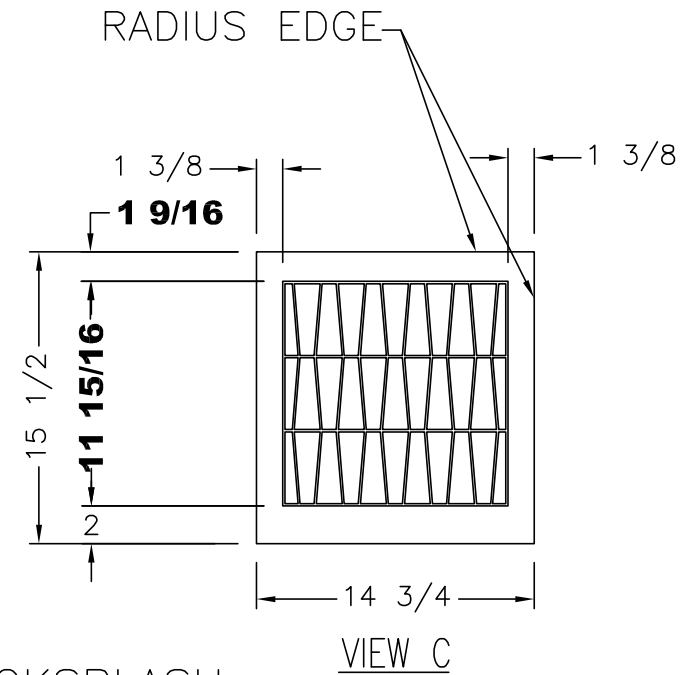
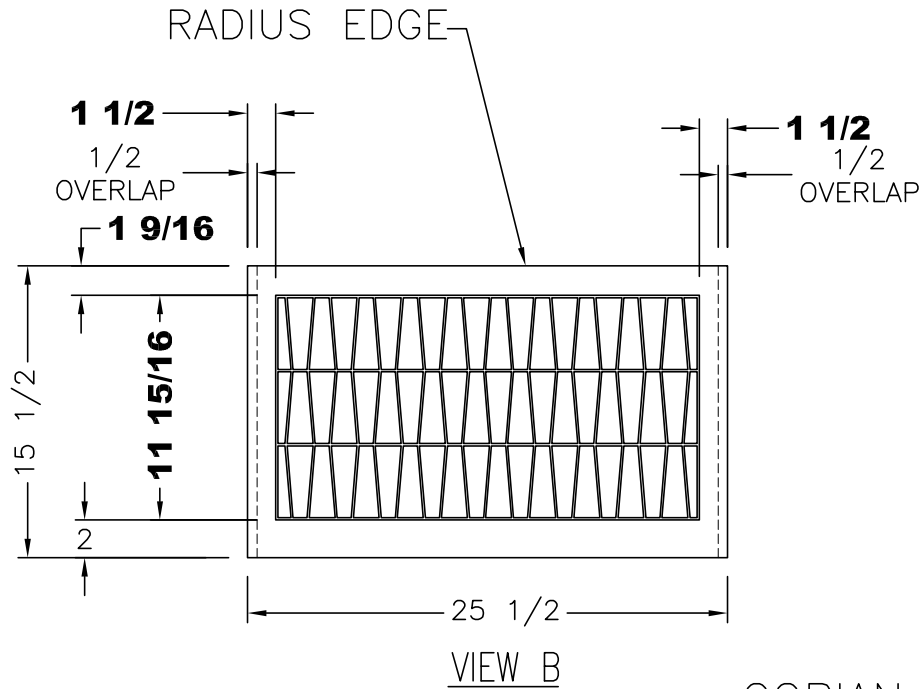
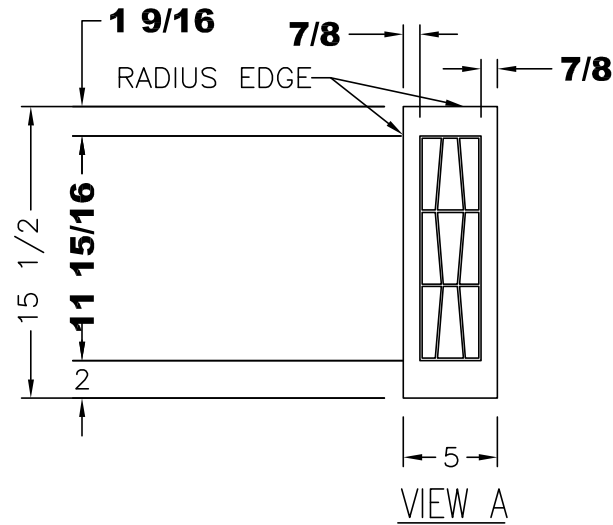
<b>NEWMAR CORP</b> P.O. Box 30, Nappanee, IN. 46550 UNITS: INCHES TITLE BLOCK--75TB	Model: DS DP 3736 (T360)	Sheet 1 OF 1	Drawn by: Z. R.	Checked by: A. M.	Revision:	By:
	Title: KITCHEN BACKSPLASH	I.D. # 2017\ SPECIALS\MOT\ 288KT	Date: 5/25/16	Date: 5/25/16	Revision:	By:

# 2017 KG DB BACKSPLASH TILE

SOLID DENOTES 3/8"  
RECESS FOR TILE INLAY

PLEASE ACKNOWLEDGE AND DATE THE  
FOLLOWING ORDER/PRINT FOR APPROVAL  
TO BUILD, AND FAX TO NEWMAR (AT  
574-773-2895) AS SOON AS POSSIBLE

DATE: \_\_\_\_\_  
SIGN: \_\_\_\_\_



CORIAN BACKSPLASH

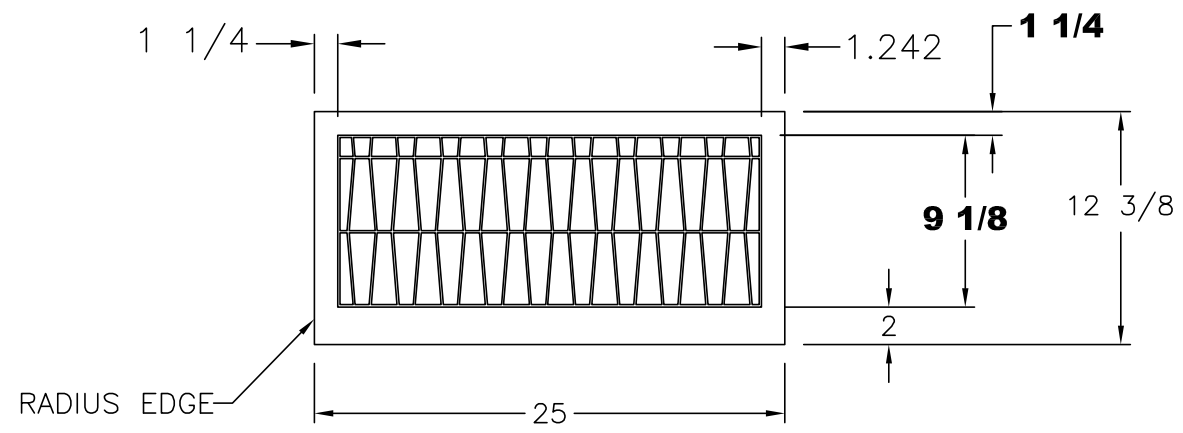
UNIT: # 606123  
DEALER: Freedom RV  
SPECIAL: # 288

<b>NEWMAR CORP</b> P.O. Box 30, Nappanee, IN. 46550	Model:	Sheet	Drawn by:	Checked by:	Revision:	By:
	DS DP 3736	1 OF 1	Z. R.	A. M.		Date:
UNITS: INCHES	Title:	I.D. # 2017\	Date:	Date:	Revision:	By:
TITLE BLOCK: 1TB	25 1/2 LAV BASE & TOP	SPECIALS\MOT\	5/25/16	5/25/16		Date:
		288LV				

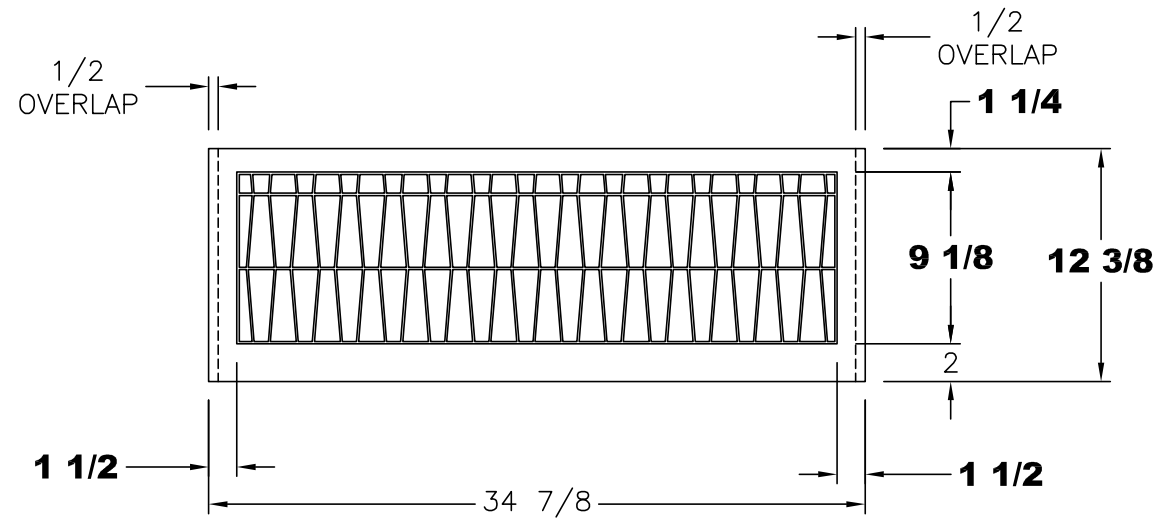
# 2017 KG DB BACKSPLASH TILE

PLEASE ACKNOWLEDGE AND DATE THE FOLLOWING ORDER/PRINT FOR APPROVAL TO BUILD, AND FAX TO NEWMAR (AT 574-773-2895) AS SOON AS POSSIBLE

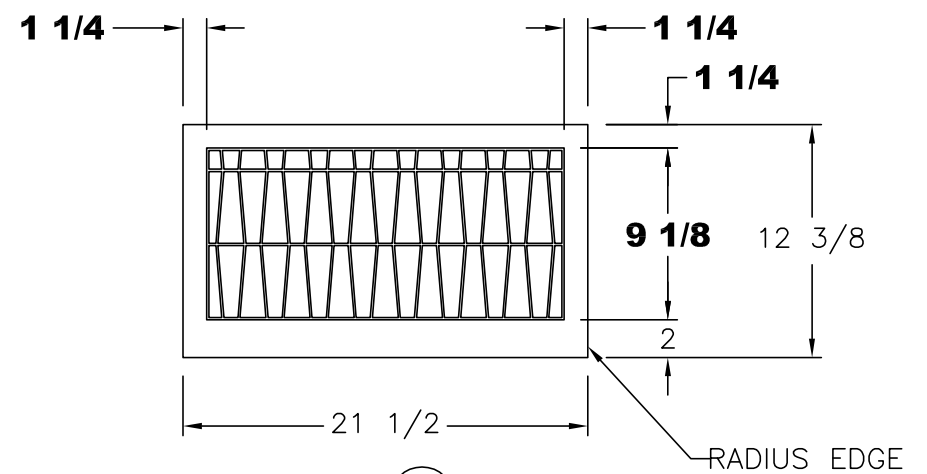
DATE: \_\_\_\_\_  
SIGN: \_\_\_\_\_



VIEW (A)



VIEW (B)



VIEW (C)

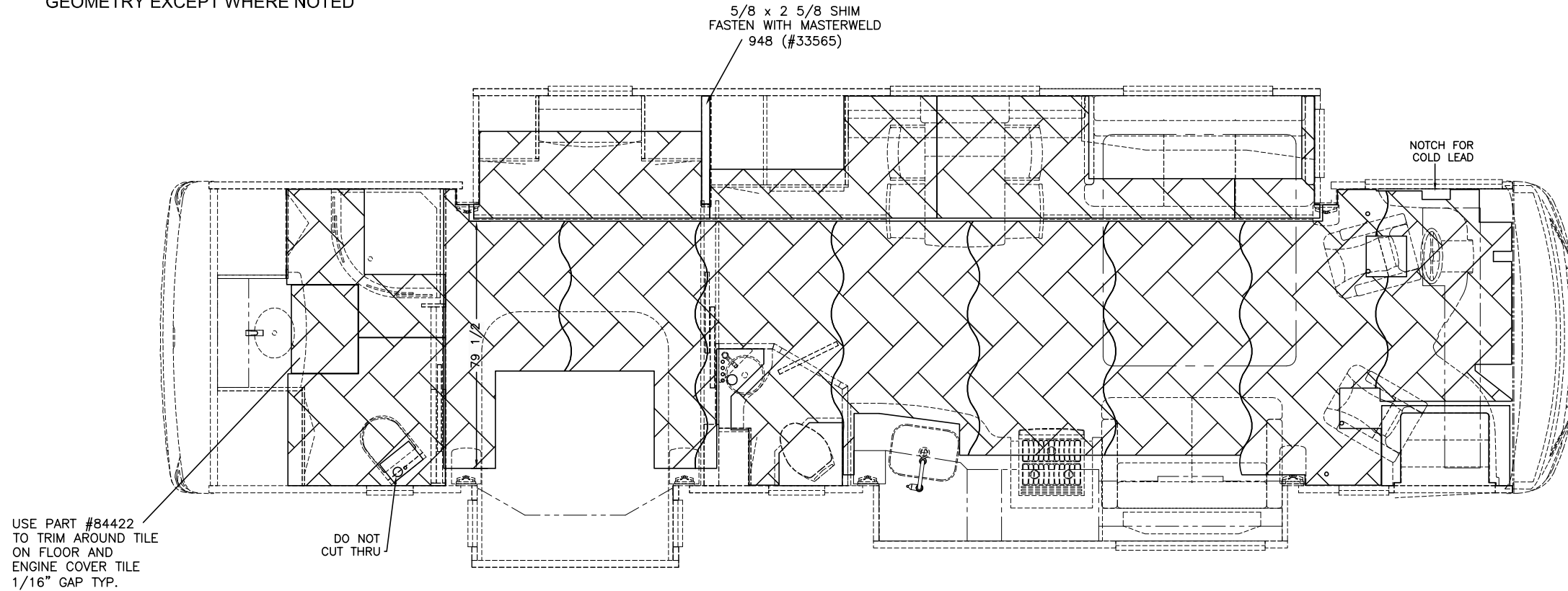
CORIAN BACKSPLASH  
SOLID DENOTES 3/8"  
RECESS FOR TILE INLAY

UNIT: # 606123  
DEALER: Freedom RV  
SPECIAL: # 288

<b>NEWMAR CORP</b> P.O. Box 30, Nappanee, IN. 46550 UNITS: INCHES TITLE BLOCK: 1TB	Model:	Sheet	Drawn by:	Checked by:	Revision:	By:
	DS DP 3736	1 OF 1	Z. R.	A. M.		Date:
	Title:	I.D. # 2017\	Date:	Date:	Revision:	By:
	REAR BATH BACKSPLASH	SPECIALS\MOT\	5/25/16	5/25/16		Date:
		288LV1				

\*ALL DIMENSION FROM POINT A

NOTE: ALL DIMENSIONS POINT TO TILE GEOMETRY EXCEPT WHERE NOTED



## 2017 MA DP TILE 11 1/4 x 22 7/8

PLEASE ACKNOWLEDGE AND DATE THE FOLLOWING ORDER/PRINT FOR APPROVAL TO BUILD, AND FAX TO NEWMAR (AT 574-773-2895) AS SOON AS POSSIBLE  
 DATE: \_\_\_\_\_  
 SIGN: \_\_\_\_\_

UNIT: # 606123  
 DEALER: Freedom RV  
 SPECIAL: # 288

<b>NEWMAR CORP</b> P.O. Box 30, Nappanee, IN. 46550 UNITS: INCHES TITLE BLOCK: 3125TB	Model:	Sheet	Drawn by:	Checked by:	Revision:	By:
	DS DP 3736	1 OF 1	Z. R.	A. M.		Date:
	Title:	I.D. # 2017\	Date:	Date:	Revision:	By:
	STANDARD TILE LAYOUT	SPECIALS\MOT\	5/25/16	5/25/16		Date:
		288TILE				