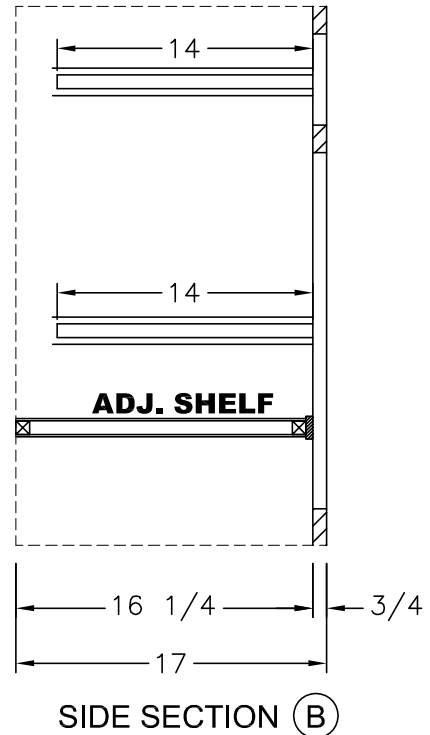
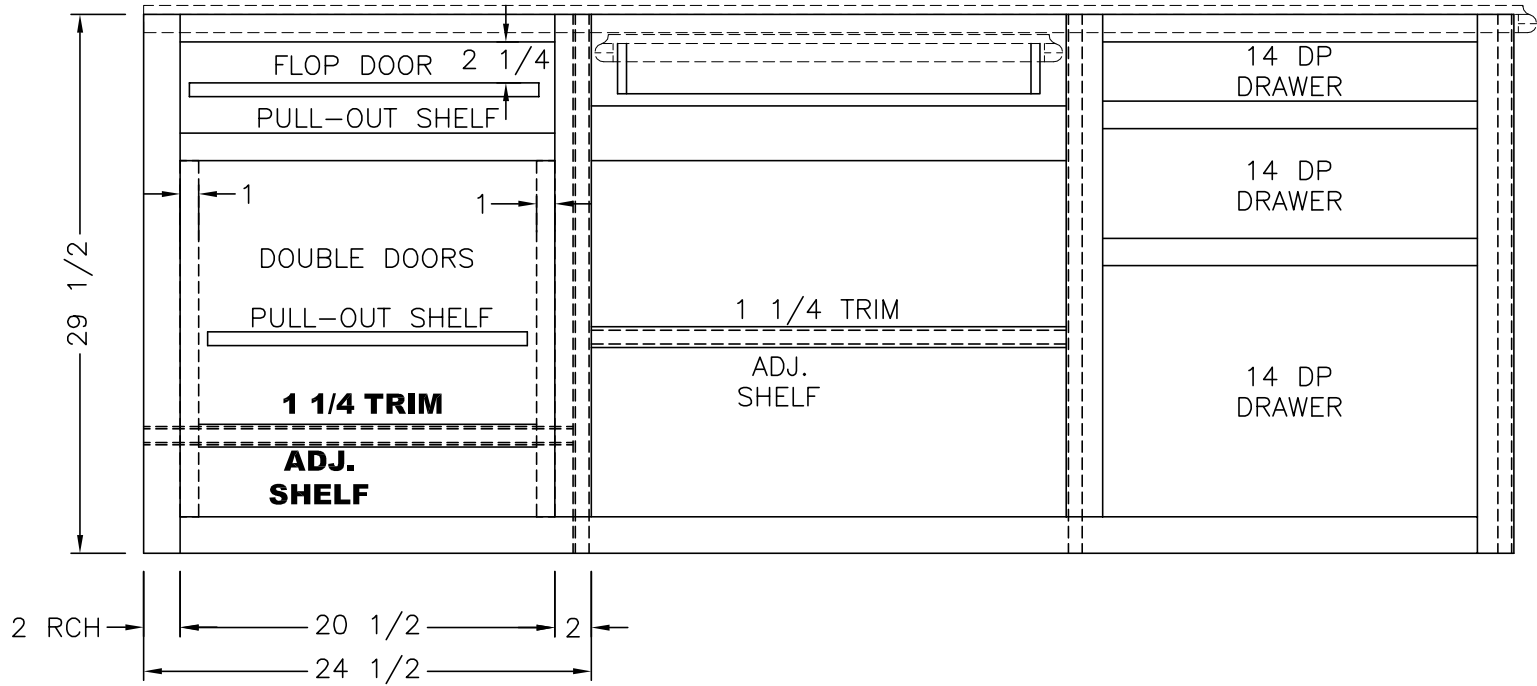





PLEASE ACKNOWLEDGE AND DATE THE FOLLOWING ORDER/PRINT FOR APPROVAL TO BUILD, AND FAX TO NEWMAR (AT 574-773-2895) AS SOON AS POSSIBLE
 DATE: _____
 SIGN: _____

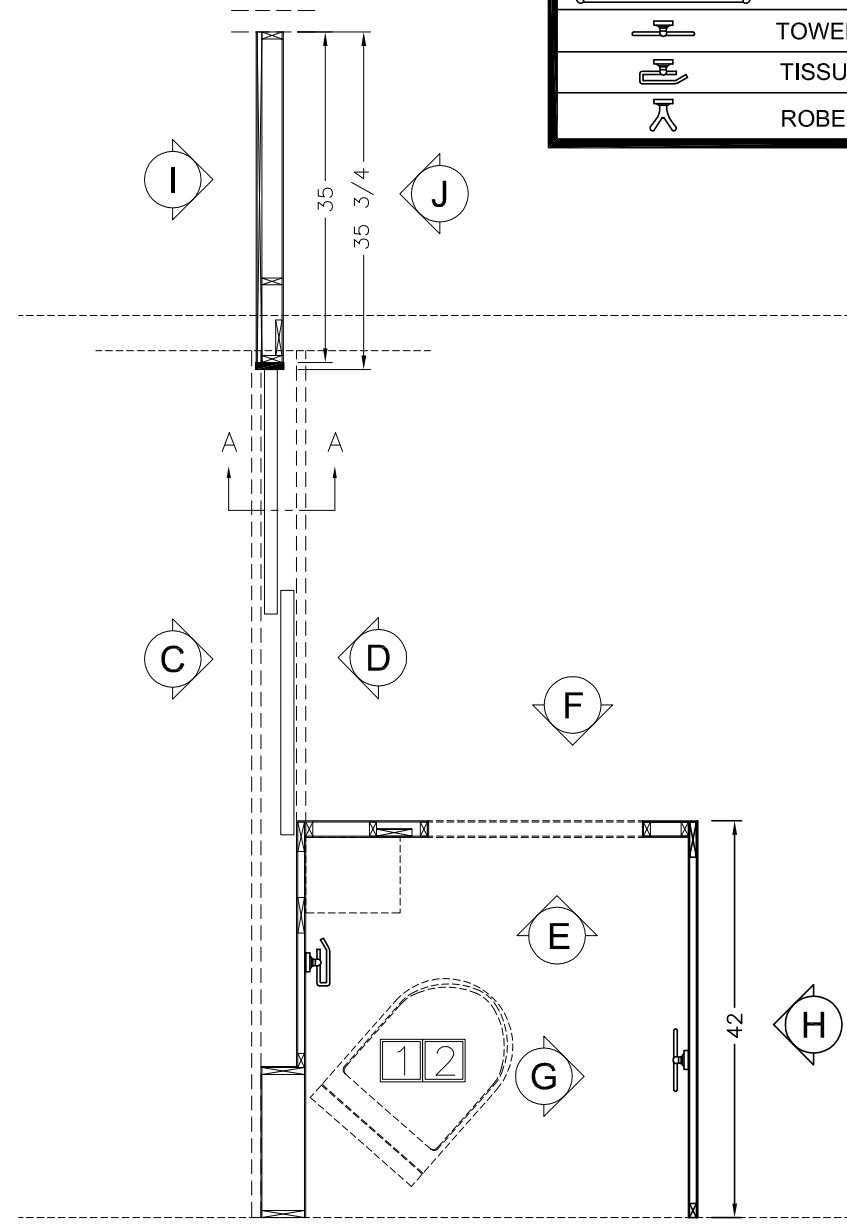
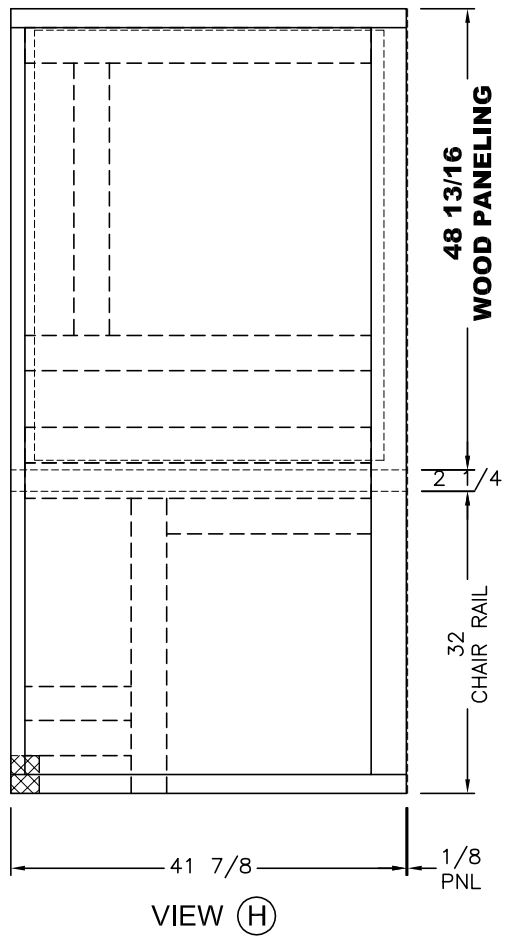


UNIT: # 606316
 DEALER: Midway RV
 SPECIAL: # 817

NEWMAR CORP P.O. Box 30, Nappanee, IN. 46550 UNITS: INCHES TITLE BLOCK: 1TB	Model: (K128)	Sheet	Drawn by:	Checked by:	Revision:	By:
	DS DP 4369	1 OF 1	Z. R.	A. M.		Date:
	Title: 75 COMBINATION DESK W/BUFFET DINETTE	I.D. # 2017\ SPECIALS\MOT\ 817DK	Date:	Date:	Revision:	By:
			9/13/16	9/13/16		Date:

ITEM #	QTY	NEWMAR #	DESCRIPTION
1	2	122366	MACERATER STOOL (WHITE)
2	2	122365	MACERATER STOOL (BONE)

BATH HARDWARE LEGEND	
	TOWEL BAR
	TOWEL RING
	TISSUE HOLDER
	ROBE HOOK



UNIT: # 606316
 DEALER: Midway RV
 SPECIAL: # 817

HORIZ. FRAME 3/4" OR 2" - VERT. FRAME 3/4" OR 1 1/2" - BACKER 3 3/4" - UNLESS SPECIFIED OTHERWISE

NEWMAR CORP P.O. Box 30, Nappanee, IN. 46550	Model:	Sheet	Drawn by:	Checked by:	Revision:	By:
	DS DP 4369	1 OF 1	Z. R.	A. M.		Date:
UNITS: INCHES	Title:	I.D. # 2017\	Date:	Date:	Revision:	By:
TITLE BLOCK: 75TB	BATH WALLS	SPECIALS\MOT\ 817WLS	9/13/16	9/13/16		Date: