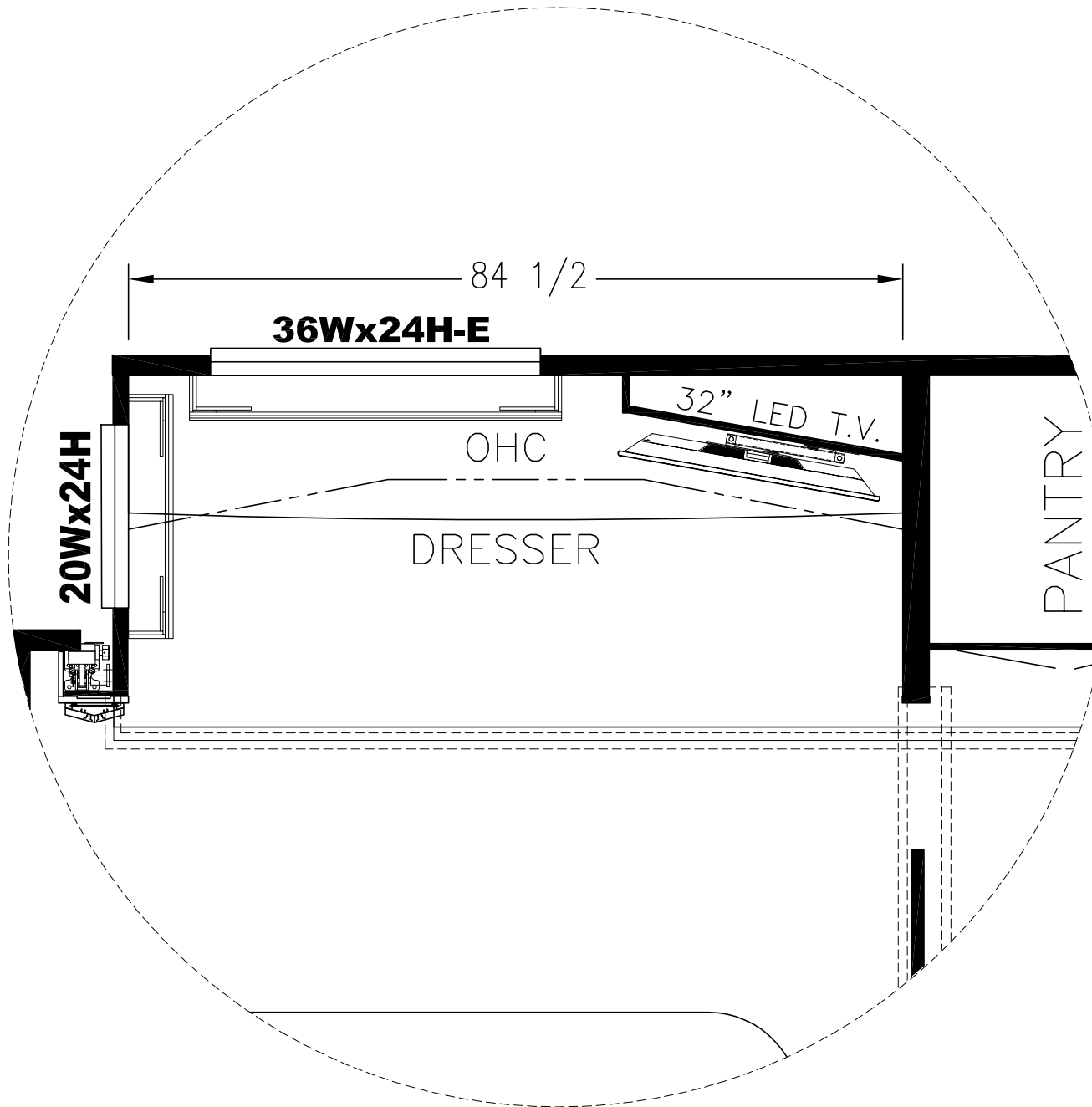


PLEASE ACKNOWLEDGE AND DATE THE FOLLOWING ORDER/PRINT FOR APPROVAL TO BUILD, AND FAX TO NEWMAR (AT 574-773-2895) AS SOON AS POSSIBLE
 DATE: _____
 SIGN: _____



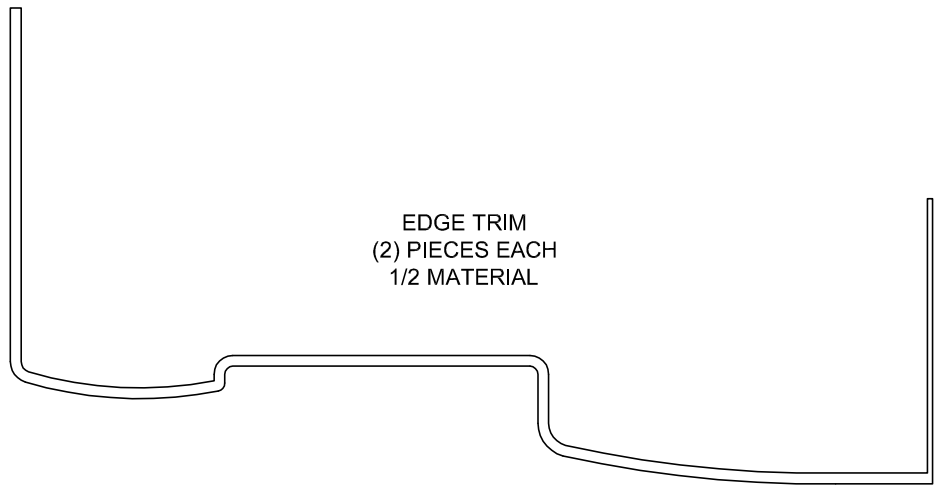
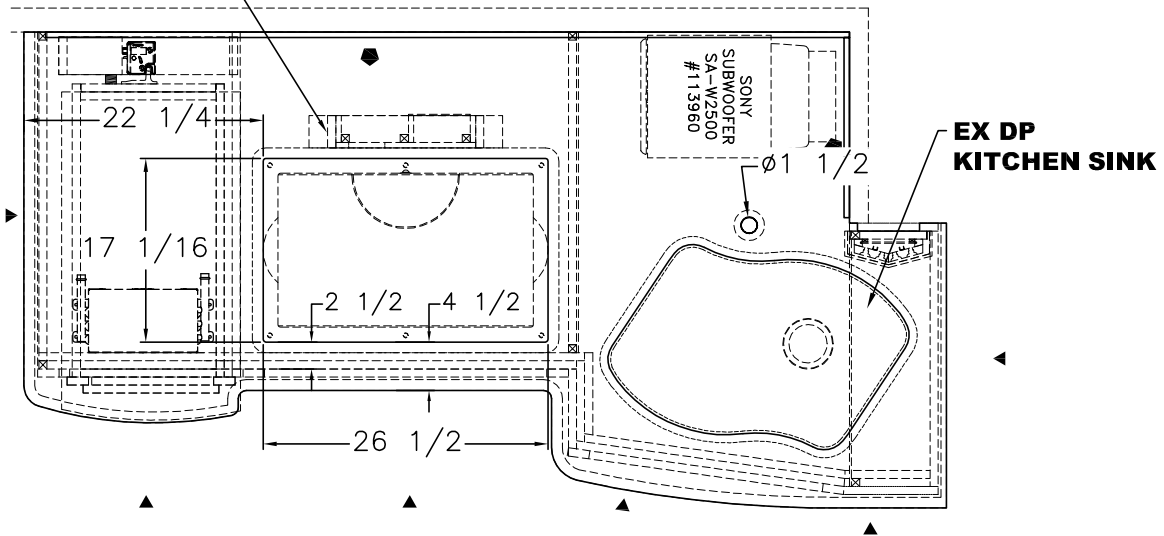
UNIT: # 606384
 DEALER: North Trail RV
 SPECIAL: # 1173

NEWMAR CORP P.O. Box 30, Nappanee, IN. 46550 Title block--1TB	Model:	Sheet	Drawn by:	Checked by:	Revision:	By:
	DS DP 4369	1 OF 1	Z. R.	A. M.		Date:
	Title:	I.D. # 2017\	Date:	Date:	Revision:	By:
	FLOOR PLAN	SPECIALS\MOT\	10/24/16	10/25/16		Date:
		1173FP				

ITEM #	QTY	NEWMAR #	DESCRIPTION
1	1	121568	SINK KIT UNDERMOUNT SS ELKAY (28 5/8x19)
2	1	124108	ALL ELECTRIC INDUCTION COOKTOP

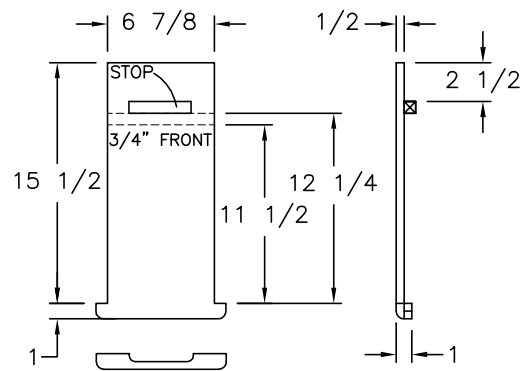
PLEASE ACKNOWLEDGE AND DATE THE FOLLOWING ORDER/PRINT FOR APPROVAL TO BUILD, AND FAX TO NEWMAR (AT 574-773-2895) AS SOON AS POSSIBLE
 DATE: _____
 SIGN: _____

3"x18"x3/4" PLYWOOD FOR CORD BOX ATTACHMENT ATTACH WITH ADHESIVE

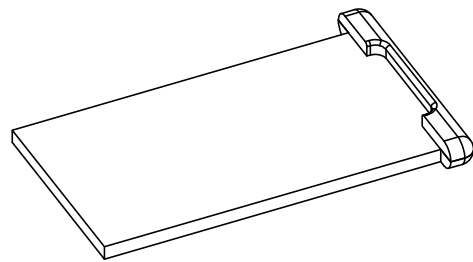


UNIT: # 606384
 DEALER: North Trail RV
 SPECIAL: # 1173

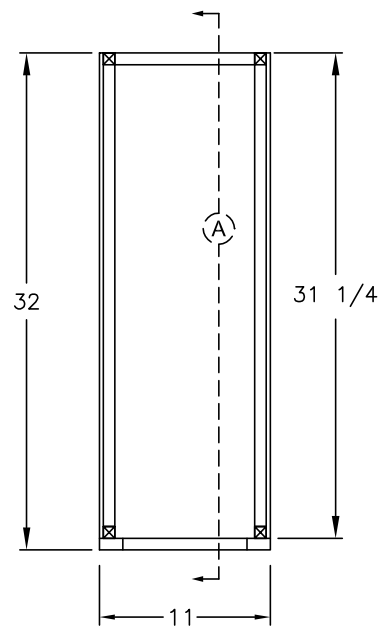
NEWMAR CORP P.O. Box 30, Nappanee, IN. 46550	Model: DS DP 4369 (J620)	Sheet 1 OF 1	Drawn by: Z. R.	Checked by: A. M.	Revision:	By:
	Title: 77 1/2 KITCHEN CABINETS	I.D. # 2017 \ SPECIALS \ MOT \ 1173KT	Date: 10/24/16	Date: 10/25/16	Revision:	Date:
UNITS: INCHES						By:
TITLE BLOCK: 75TB						Date:



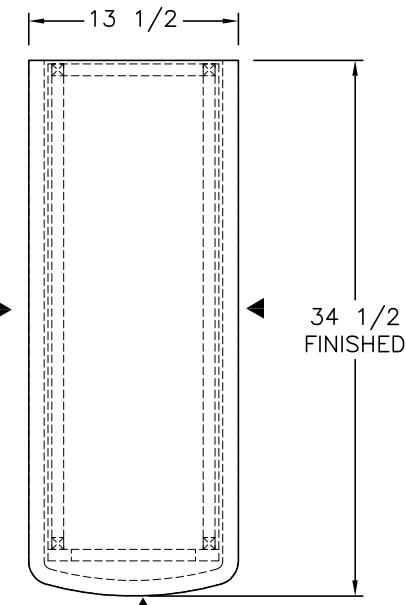
1/2 SOLID SURFACE
P-O SHELF



BOTTOM VIEW
(REFERENCE ONLY)

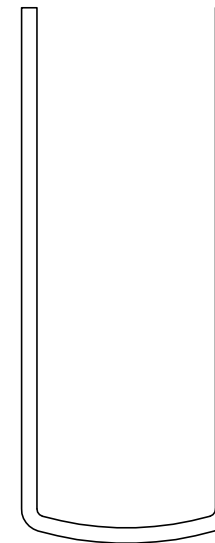


TOP VIEW

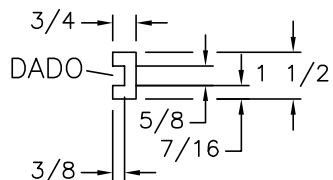


TOP VIEW

▶ - DENOTES A FINISHED EDGE
1/2" SOLID SURFACE

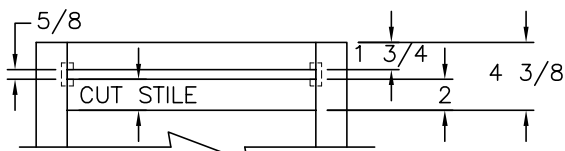


EDGE TRIM
(2) PIECES 1/2 MATERIAL

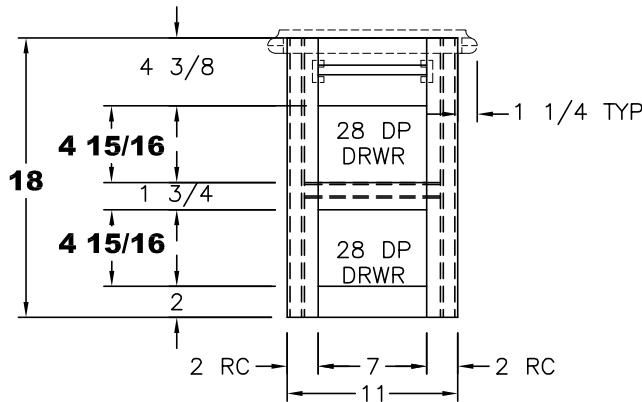


HARDWOOD
TRACK DETAIL

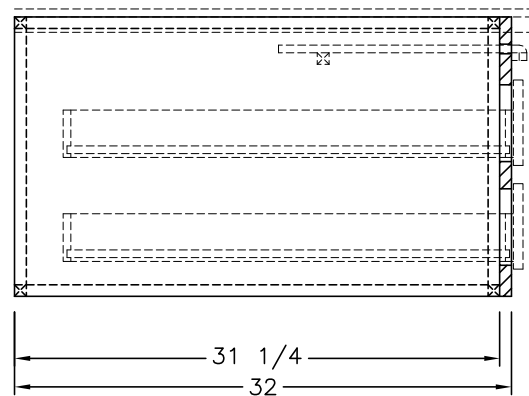
2X SCALE



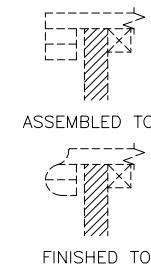
CABINET BASE FRONT VIEW
UNIT: # 606384
DEALER: NORTH TRAIL RV
SPECIAL: # 1173



FRONT VIEW
(2) 7 1/2x8 1/2 FRONTS



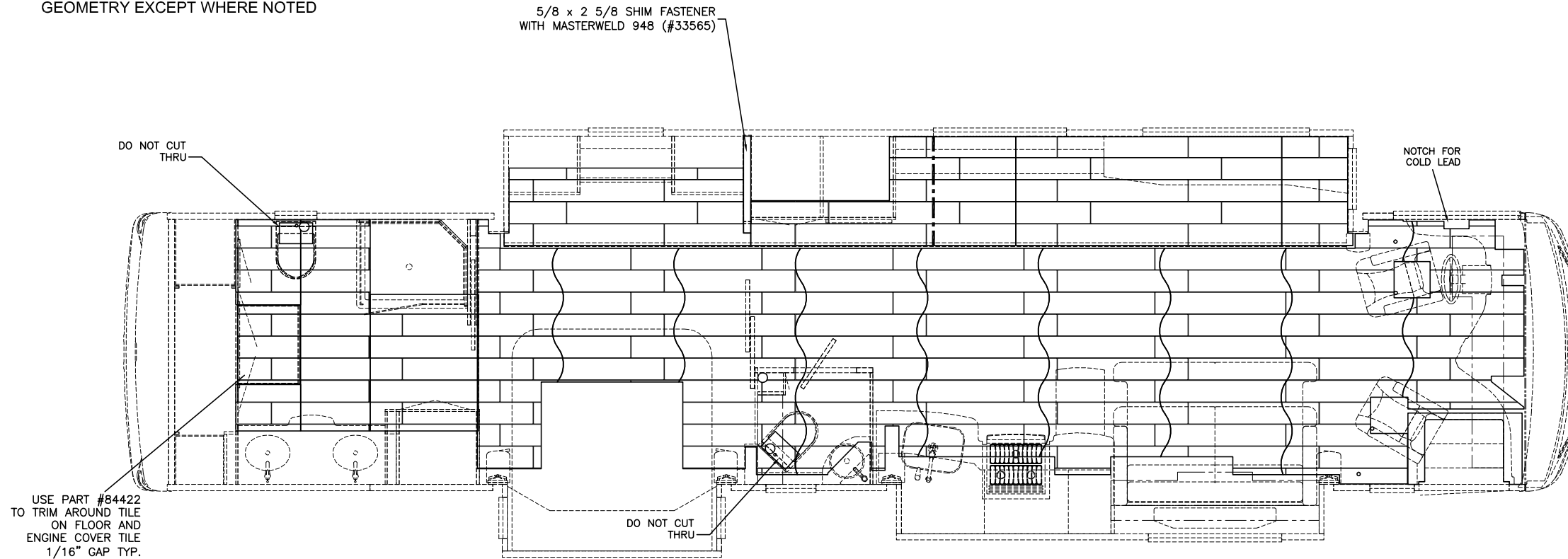
SIDE SECTION (A)



PLEASE ACKNOWLEDGE AND DATE THE
FOLLOWING ORDER/PRINT FOR APPROVAL
TO BUILD, AND FAX TO NEWMAR (AT
574-773-2895) AS SOON AS POSSIBLE
DATE: _____
SIGN: _____

NEWMAR CORP P.O. Box 30, Nappanee, IN. 46550 UNITS: INCHES TITLE BLOCK: 1TB	Model: (K643)	Sheet: 1 OF 1	Drawn by: Z. R.	Checked by: A. M.	Revision: ADDED PRINT WITH LAMP STAND BEING 6" SHORTER THAN STANDARD PER (CO #96868)	By: A. M.
	Title: 11 LAMP STAND	I.D. # 2017 \ SPECIALS \ MOT \ 1173 LAMP	Date: 10/26/16	Date: 10/26/16	Revision:	Date: 10/26/16

NOTE: ALL DIMENSIONS POINT TO TILE GEOMETRY EXCEPT WHERE NOTED



2017 EX DP TILE 7 3/4 x 47

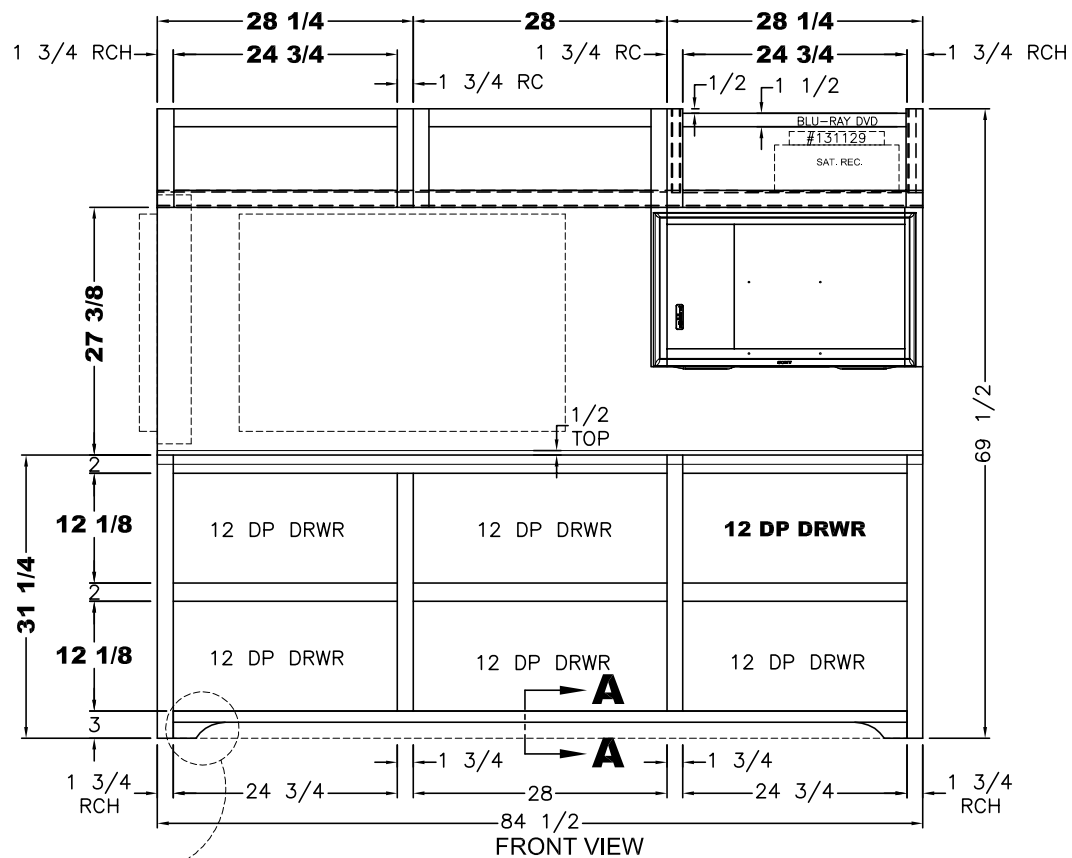
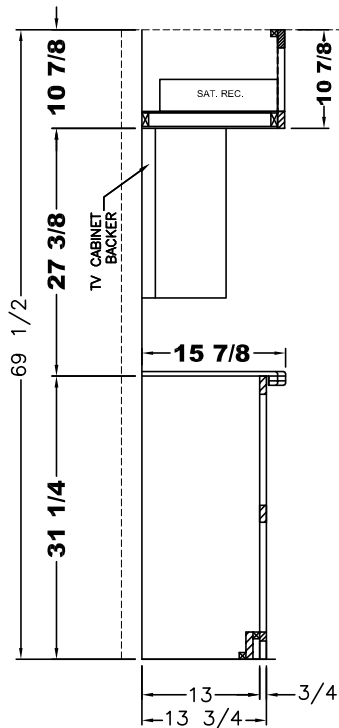
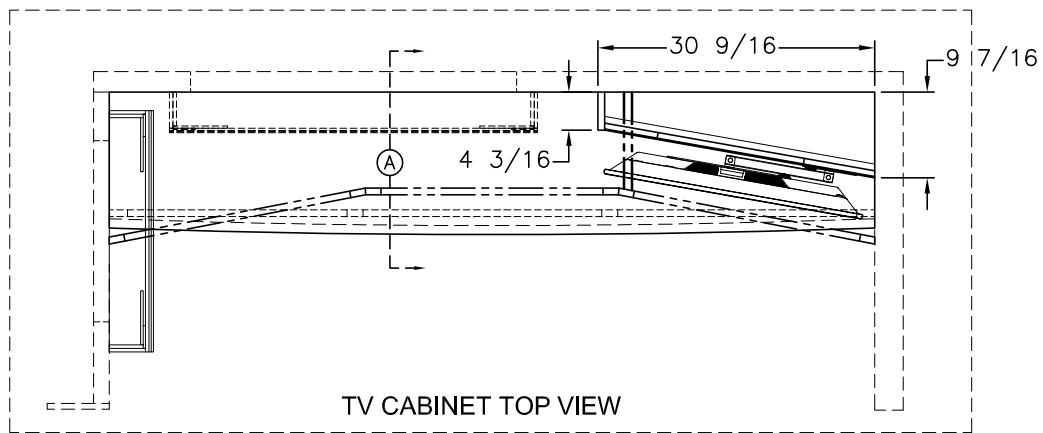
PLEASE ACKNOWLEDGE AND DATE THE FOLLOWING ORDER/PRINT FOR APPROVAL TO BUILD, AND FAX TO NEWMAR (AT 574-773-2895) AS SOON AS POSSIBLE
 DATE: _____
 SIGN: _____

UNIT: # 606384
 DEALER: North Trail RV
 SPECIAL: # 1173

NEWMAR CORP P.O. Box 30, Nappanee, IN. 46550	Model:	(K643)	Sheet	Drawn by:	Checked by:	Revision:	By:
		DS DP 4369	1 OF 1	Z. R.	A. M.		Date:
UNITS: INCHES	Title:	I.D. # 2017\	Date:	Date:	Revision:		By:
TITLE BLOCK: 3125TB	STANDARD TILE LAYOUT	SPECIALS\MOT\ 1173TILE	10/24/16	10/25/16			Date:

ITEM #	QTY	NEWMAR #	DESCRIPTION
1	1	135798	TV 32"LED SONY SMART (KDL32W600D)
2	1	136787	32 SONY TV BRACKET
3	1	135190	SONY BLU RAY (BDP-S1700)

- (2) 9x25 3/8 DOORS (TOP HINGE)
- (1) 9x25 3/8 SMOKED PLEXI GLASS DOOR (TOP HINGE)
- (4) 12 5/8x25 1/4 FRONTS
- (2) 12 5/8x28 1/2 FRONTS

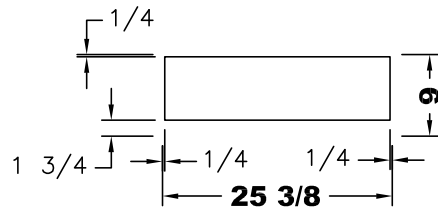
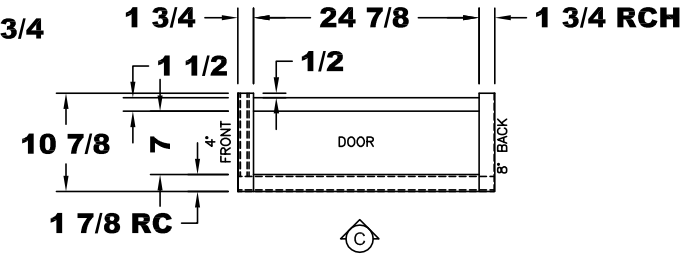
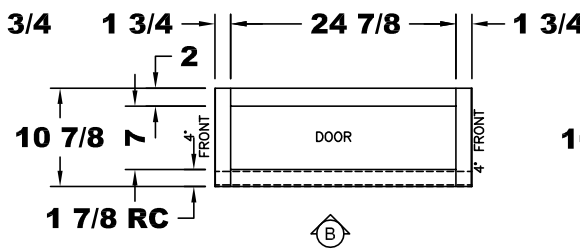
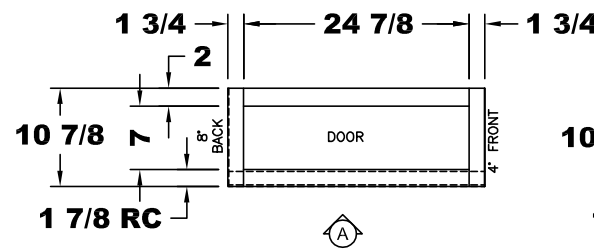
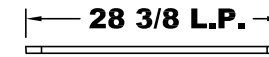
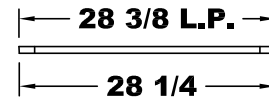
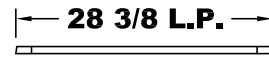
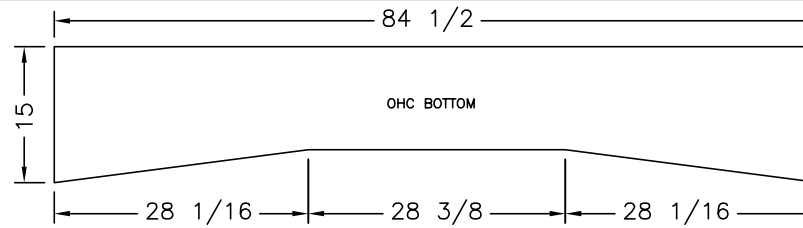
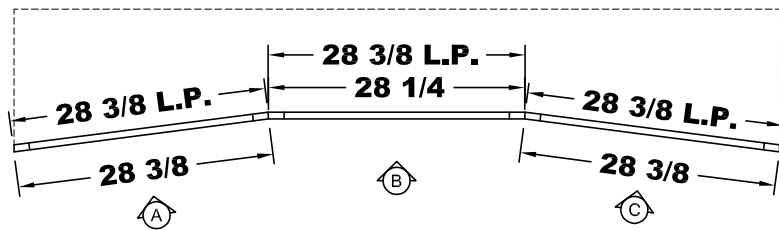


SEE PAGE #3 FOR DETAIL

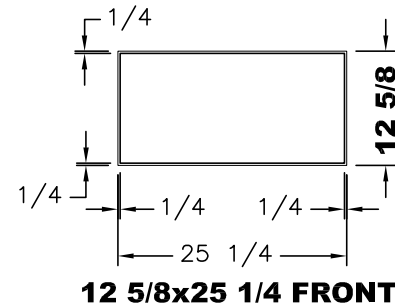
PLEASE ACKNOWLEDGE AND DATE THE FOLLOWING ORDER/PRINT FOR APPROVAL TO BUILD, AND FAX TO NEWMAR (AT 574-773-2895) AS SOON AS POSSIBLE
DATE: _____
SIGN: _____

UNIT: # 606384
DEALER: North Trail RV
SPECIAL: # 1173

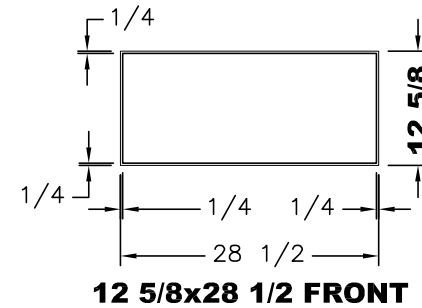
NEWMAR CORP P.O. Box 30, Nappanee, IN. 46550	Model:	Sheet	Drawn by:	Checked by:	Revision:	By:
	Title:	1 OF 3	Z. R.	A. M.		Date:
Title block--75TB	84 1/2 DRESSER CABINET	I.D. # 2017\ SPECIALS\MOT\ 1173WR	Date:	Date:	Revision:	By:
			10/24/16	10/25/16		Date:



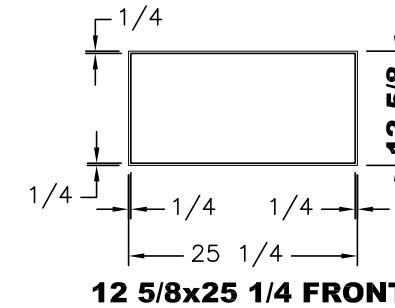
(1) 25 3/8 X 9 TOP HINGE SMOKED PLEXI GLASS
(2) 25 3/8 X 9 TOP HINGE DOORS



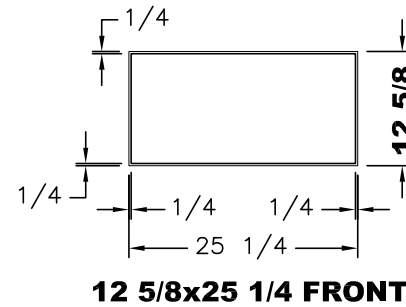
12 5/8x25 1/4 FRONT



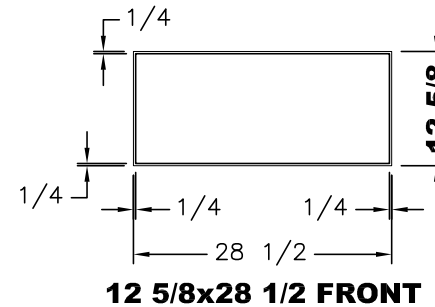
12 5/8x28 1/2 FRONT



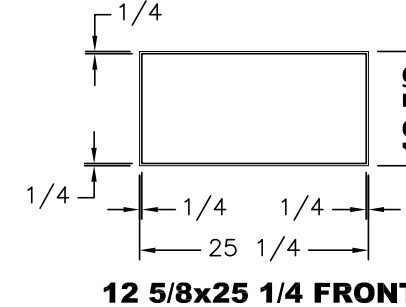
12 5/8x25 1/4 FRONT



12 5/8x25 1/4 FRONT



12 5/8x28 1/2 FRONT



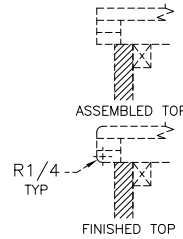
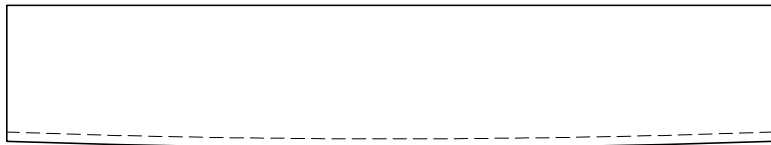
12 5/8x25 1/4 FRONT

DOOR OVERLAYS

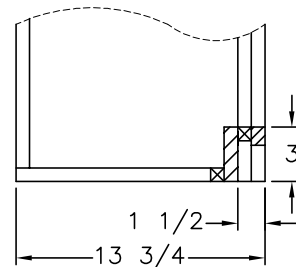
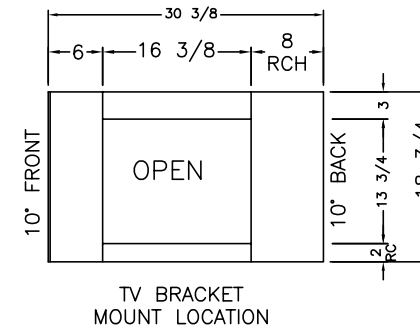
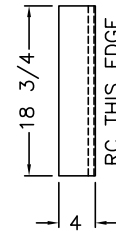
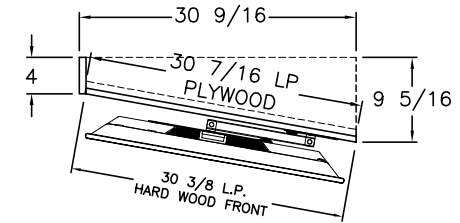
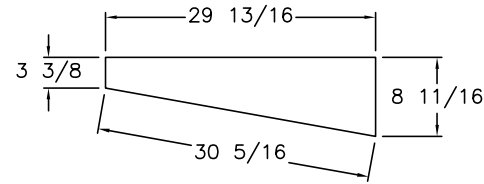
PLEASE ACKNOWLEDGE AND DATE THE FOLLOWING ORDER/PRINT FOR APPROVAL TO BUILD, AND FAX TO NEWMAR (AT 574-773-2895) AS SOON AS POSSIBLE
 DATE: _____
 SIGN: _____

UNIT: # 606384
 DEALER: North Trail RV
 SPECIAL: # 1173

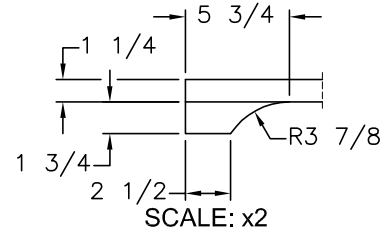
NEWMAR CORP P.O. Box 30, Nappanee, IN. 46550 Title block--75TB	Model:	Sheet	Drawn by:	Checked by:	Revision:	By:
	DS DP 4369	2 OF 3	Z. R.	A. M.		Date:
	Title:	I.D. # 2017\	Date:	Date:	Revision:	By:
	84 1/2 DRESSER CABINET	SPECIALS\MOT\	10/24/16	10/25/16		Date:
		1173WR				



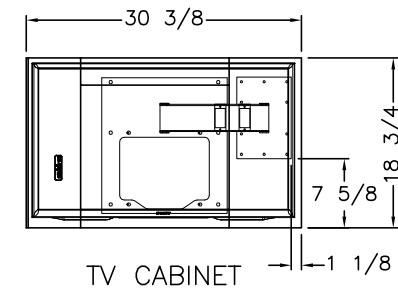
▲ - DENOTES A FINISHED EDGE
1/2 SOLID SURFACE



A-A
SCALE: x2



DECOR TOE KICK



UNIT: # 606384
DEALER: North Trail RV
SPECIAL: # 1173

PLEASE ACKNOWLEDGE AND DATE THE FOLLOWING ORDER/PRINT FOR APPROVAL TO BUILD, AND FAX TO NEWMAR (AT 574-773-2895) AS SOON AS POSSIBLE
DATE: _____
SIGN: _____

NEWMAR CORP P.O. Box 30, Nappanee, IN. 46550 Title block--75TB	Model:	Sheet	Drawn by:	Checked by:	Revision:	By:
	DS DP 4369	3 OF 3	Z. R.	A. M.		Date:
	Title:	I.D. # 2017\	Date:	Date:	Revision:	By:
	84 1/2 DRESSER CABINET	SPECIALS\MOT\ 1173WR	10/24/16	10/25/16		Date: