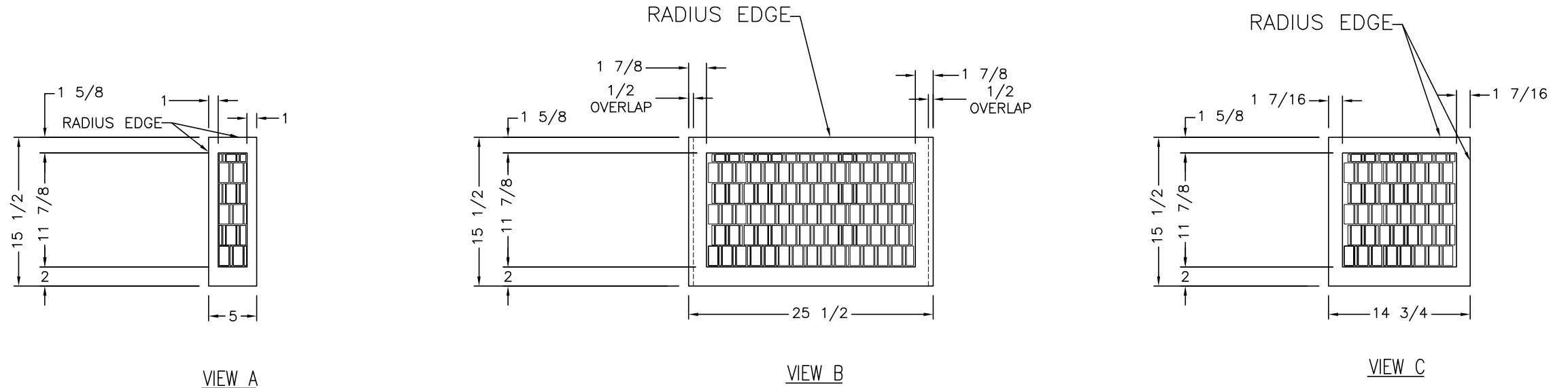


2017 MA DP BACKSPLASH TILE

PLEASE ACKNOWLEDGE AND DATE THE FOLLOWING ORDER/PRINT FOR APPROVAL TO BUILD, AND FAX TO NEWMAR (AT 574-773-2895) AS SOON AS POSSIBLE

DATE: _____

SIGN: _____



SOLID DENOTES 1/4" RECESS FOR TILE INLAY

UNIT: # 606431
 DEALER: Transwest Truck, CO
 SPECIAL: # 1406

NEWMAR CORP P.O. Box 30, Nappanee, IN. 46550 UNITS: INCHES TITLE BLOCK: 1TB	Model:	Sheet	Drawn by:	Checked by:	Revision:	By:
	DS DP 4018	1 OF 1	Z. R.	A. M.		Date:
	Title:	I.D. # 2017\	Date:	Date:	Revision:	By:
	25 1/2 LAV BASE & TOP	SPECIALS\MOT\	11/18/16	11/21/16		Date:
		1406LV				

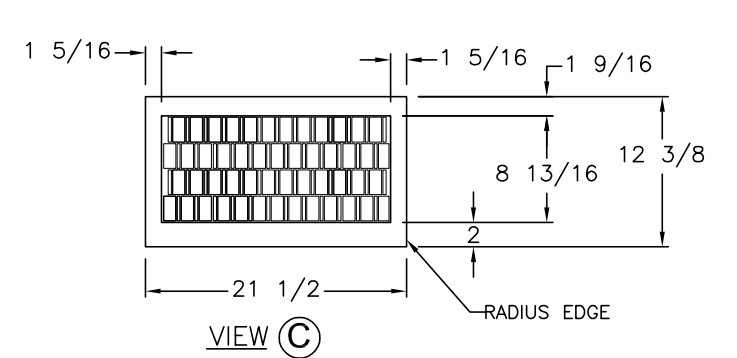
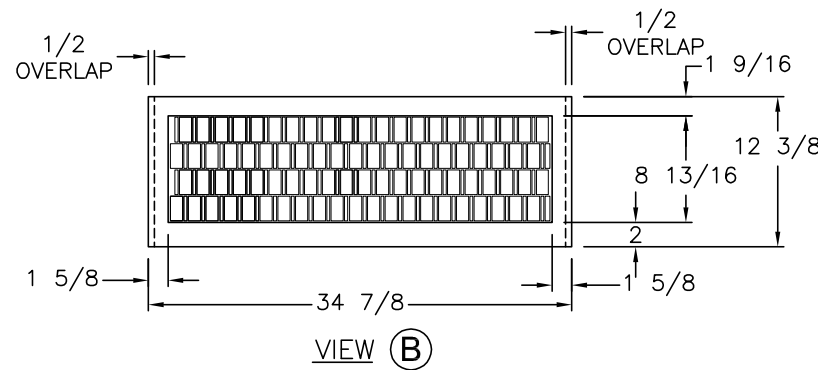
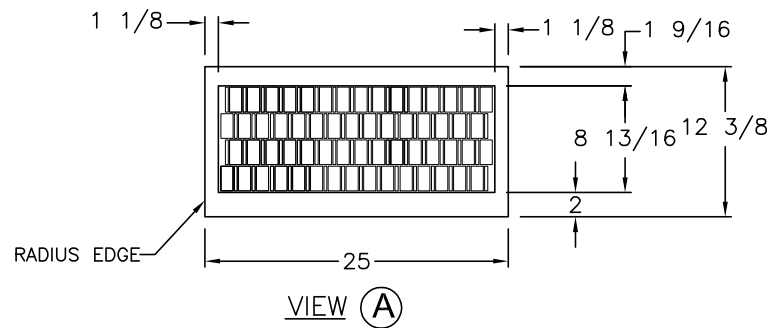
2017 MA DP BACKSPLASH TILE

PLEASE ACKNOWLEDGE AND DATE THE FOLLOWING ORDER/PRINT FOR APPROVAL TO BUILD, AND FAX TO NEWMAR (AT 574-773-2895) AS SOON AS POSSIBLE

DATE: _____

SIGN: _____

SOLID DENOTES 1/4" RECESS FOR TILE INLAY

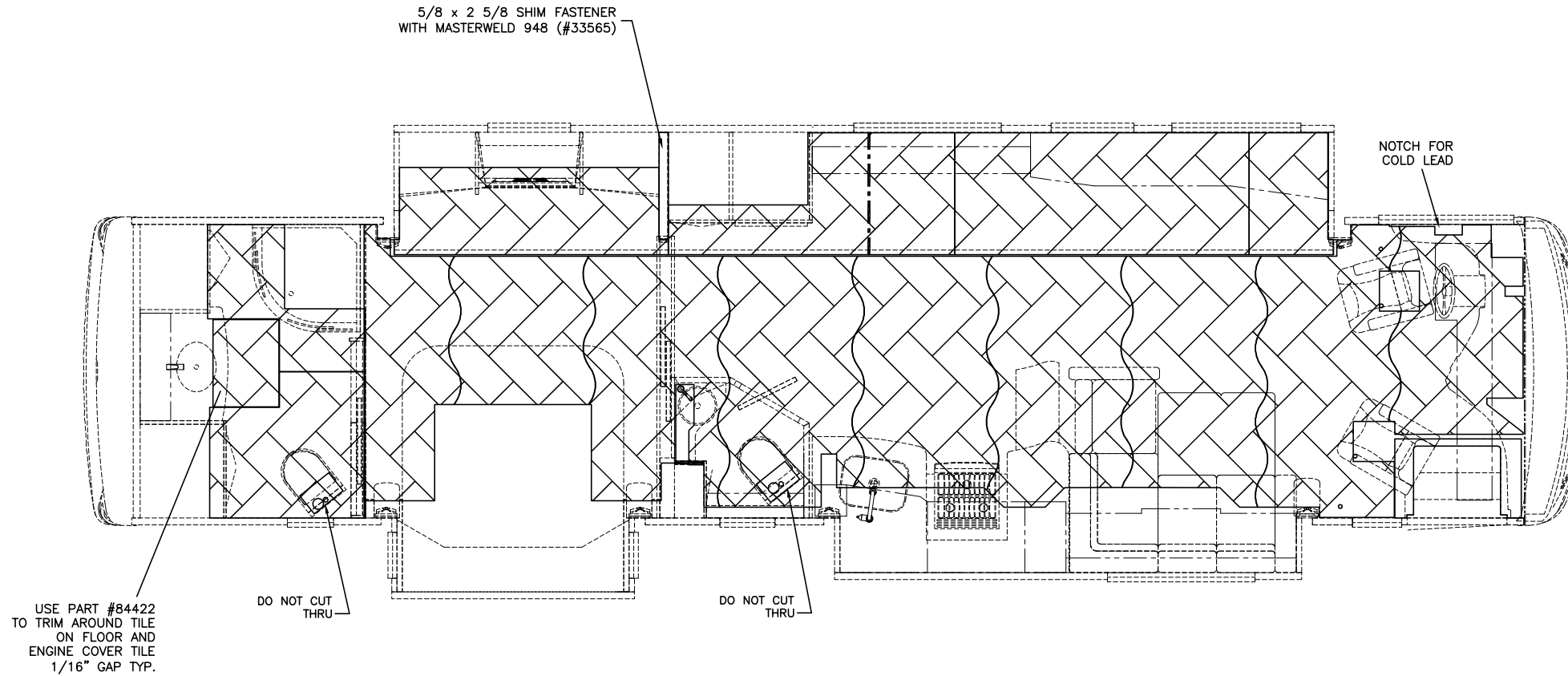


CORIAN BACKSPLASH

UNIT: # 606431
 DEALER: Transwest Truck, CO
 SPECIAL: # 1406

NEWMAR CORP P.O. Box 30, Nappanee, IN. 46550	Model:	Sheet	Drawn by:	Checked by:	Revision:	By:
	DS DP 4018	1 OF 1	Z. R.	A. M.		Date:
UNITS: INCHES	Title:	I.D. # 2017\	Date:	Date:	Revision:	By:
TITLE BLOCK: 1TB	35 3/4 LAV BASE & TOP	SPECIALS\MOT\	11/18/16	11/21/16		Date:
		1406LV1				

NOTE: ALL DIMENSIONS POINT TO TILE GEOMETRY EXCEPT WHERE NOTED



2017 MA DP TILE
11 1/4 x 22 7/8

PLEASE ACKNOWLEDGE AND DATE THE FOLLOWING ORDER/PRINT FOR APPROVAL TO BUILD, AND FAX TO NEWMAR (AT 574-773-2895) AS SOON AS POSSIBLE
DATE: _____
SIGN: _____

UNIT: # 606431
DEALER: Transwest Truck, CO
SPECIAL: # 1406

NEWMAR CORP P.O. Box 30, Nappanee, IN. 46550	Model: (K170)	Sheet 1 OF 1	Drawn by: Z. R.	Checked by: A. M.	Revision:	By:
	Title: STANDARD TILE LAYOUT	I.D. # 2017\ SPECIALS\MOT\ 1406TILE	Date: 11/18/16	Date: 11/21/16	Revision:	Date:
UNITS: INCHES						By:
TITLE BLOCK: 3125TB						Date: