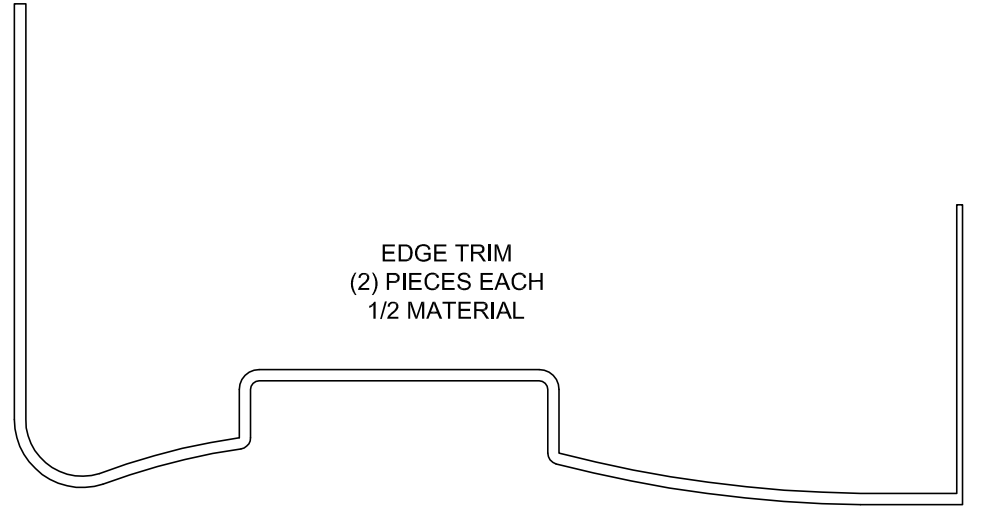
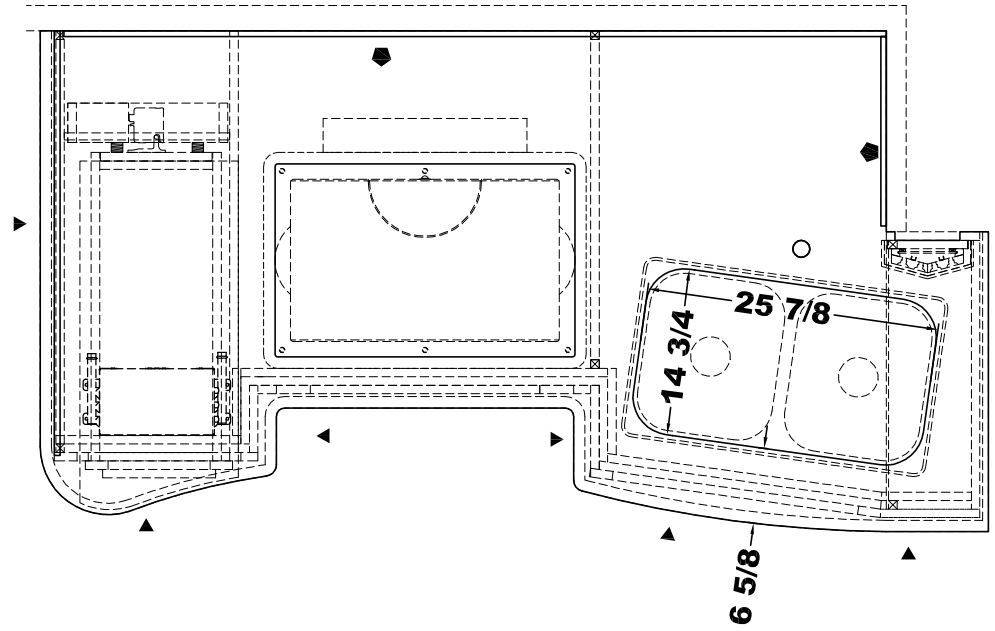


ITEM #	QTY	NEWMAR #	DESCRIPTION
1	1	115215	27X16 STAINLESS STEEL (1317SSD2717)
2	1	124108	ALL ELECTRIC INDUCTION COOKTOP

PLEASE ACKNOWLEDGE AND DATE THE FOLLOWING ORDER/PRINT FOR APPROVAL TO BUILD, AND FAX TO NEWMAR (AT 574-773-2895) AS SOON AS POSSIBLE

DATE: _____
SIGN: _____

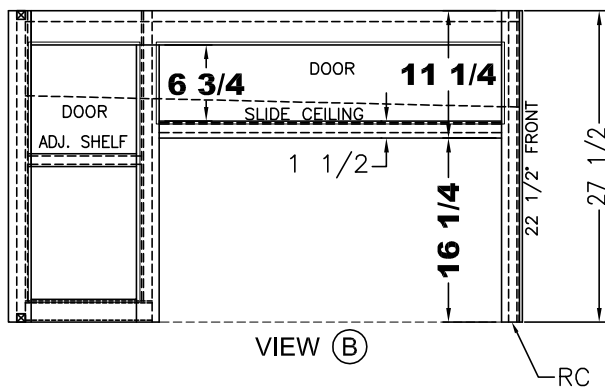
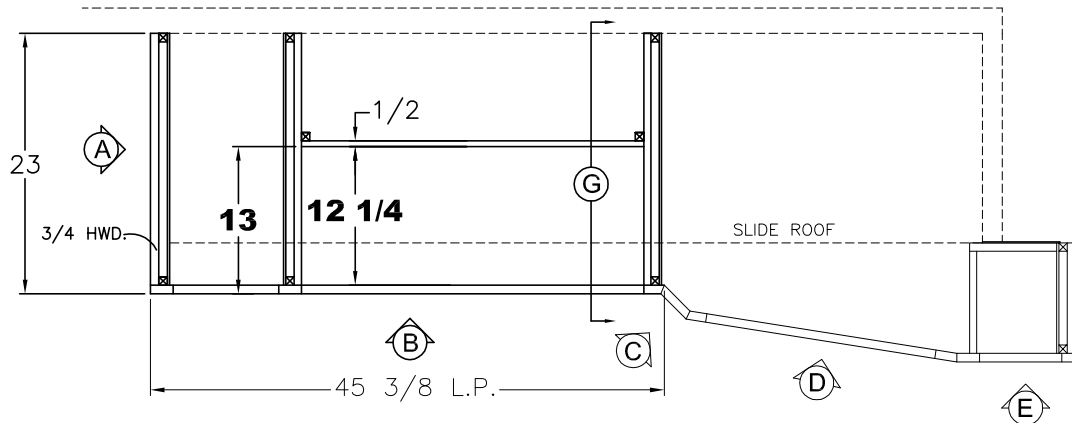


UNIT: # 606448
DEALER: Holland Motor Homes
SPECIAL: # 1403

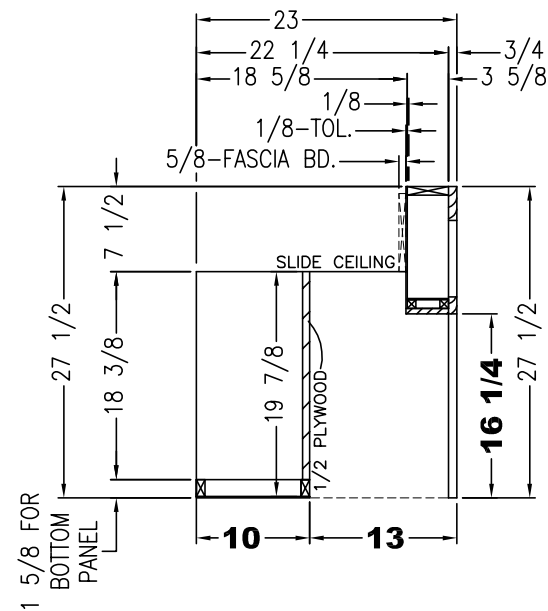
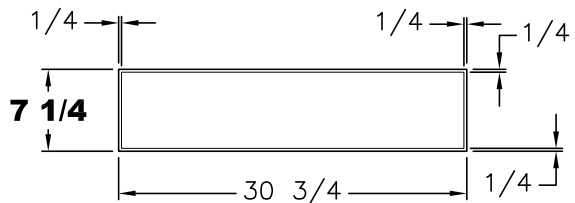
NEWMAR CORP P.O. Box 30, Nappanee, IN. 46550	Model: (J620)	Sheet 1 OF 2	Drawn by: Z. R.	Checked by: A. M.	Revision:	By:
	DS DP 4018	I.D. # 2017\ SPECIALS\MOT\ 1403KT	Date: 12/5/16	Date: 12/5/16	Revision:	Date:
UNITS: INCHES TITLE BLOCK: 75TB	Title: 73 1/2 KIT S-O OHC					By:
						Date:

ITEM #	QTY	NEWMAR #	DESCRIPTION
1	1	125682	MICROWAVE GE 30" ADVANTIUM (PSA9102SFSS)

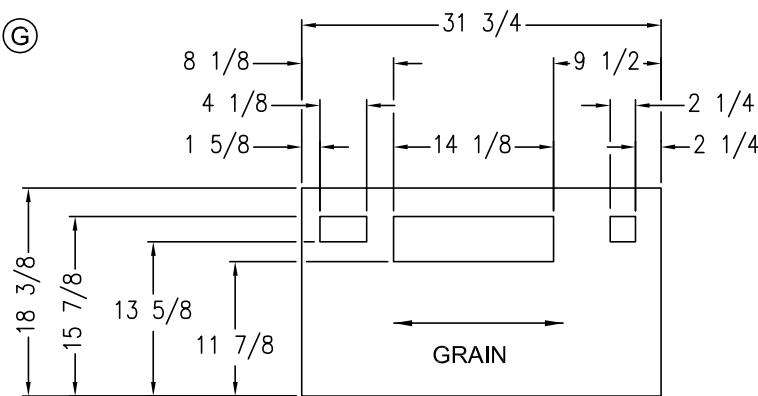
PLEASE ACKNOWLEDGE AND DATE THE FOLLOWING ORDER/PRINT FOR APPROVAL TO BUILD, AND FAX TO NEWMAR (AT 574-773-2895) AS SOON AS POSSIBLE
 DATE: _____
 SIGN: _____



(1) 7 1/4x30 3/4 HINGE DOOR
 (1) 9 7/8x23 DOOR



SIDE SECTION G



1/2 PLYWOOD DETAIL

UNIT: # 606448
 DEALER: Holland Motor Homes
 SPECIAL: # 1403

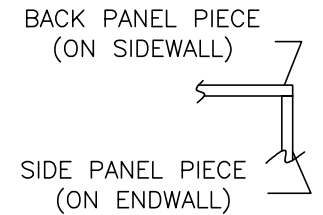
NEWMAR CORP P.O. Box 30, Nappanee, IN. 46550	Model:	Sheet	Drawn by:	Checked by:	Revision:	By:
	DS DP 4018	2 OF 2	Z. R.	A. M.		Date:
UNITS: INCHES	Title:	I.D. # 2017\	Date:	Date:	Revision:	By:
TITLE BLOCK: 75TB	KITCHEN BACKSPLASH	SPECIALS\MOT\ 1403KT	12/5/16	12/5/16		Date:

2017 MA DP BACKSPLASH TILE

PLEASE ACKNOWLEDGE AND DATE THE FOLLOWING ORDER/PRINT FOR APPROVAL TO BUILD, AND FAX TO NEWMAR (AT 574-773-2895) AS SOON AS POSSIBLE

DATE: _____

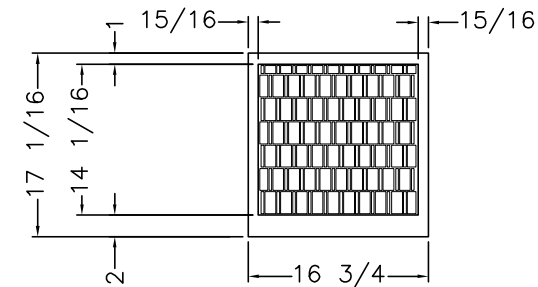
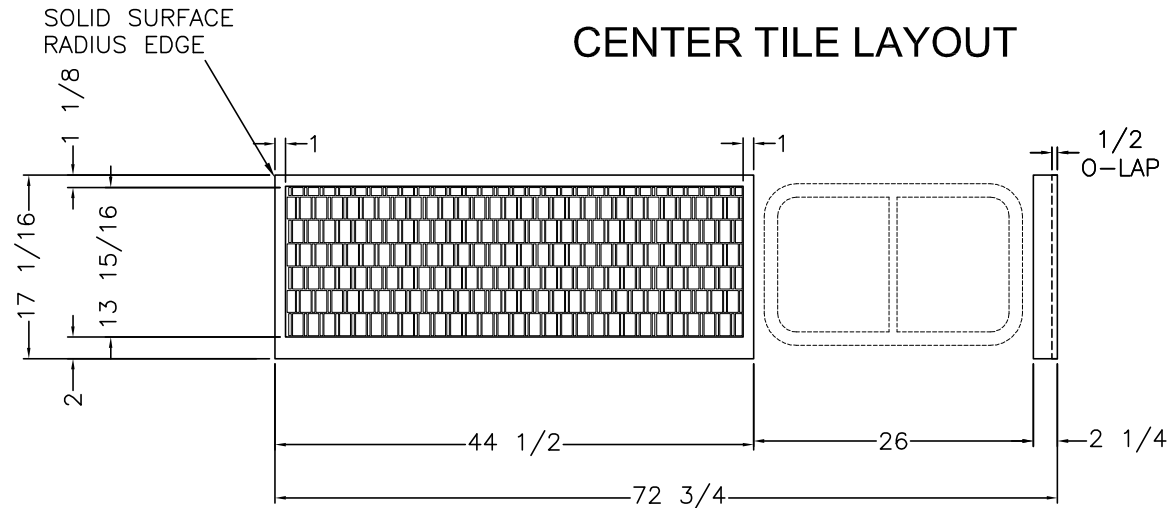
SIGN: _____



INSTALLATION DETAIL
(SCALE 4X)

SOLID DENOTES 1/4" RECESS FOR TILE INLAY

CENTER TILE LAYOUT



SIDE PANEL PIECE (ON WALL)

TILE/SOLID SURFACE BACKSPLASH
(T360) KITCHEN WINDOW

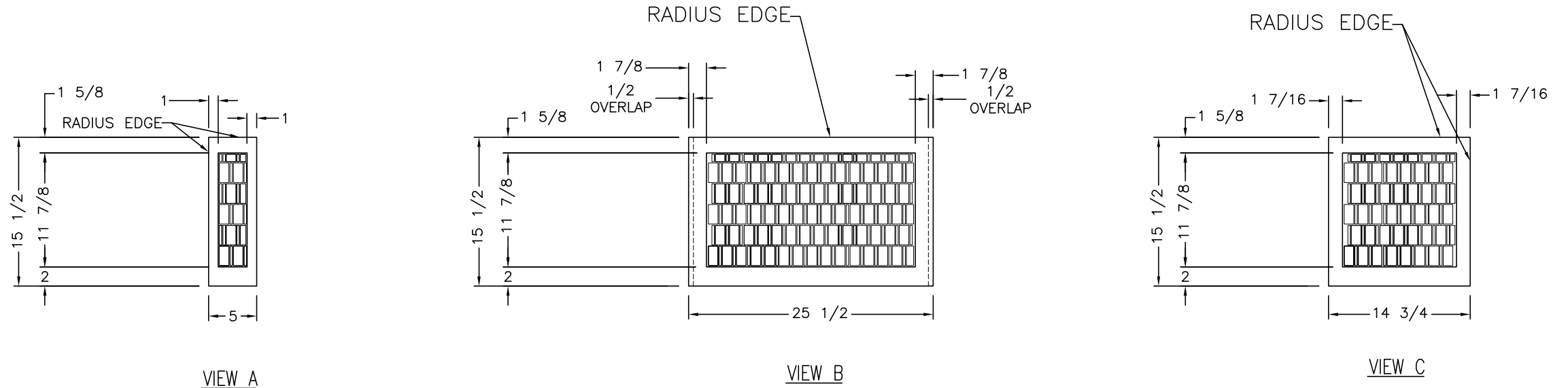
NEWMAR CORP P.O. Box 30, Nappanee, IN. 46550 UNITS: INCHES TITLE BLOCK: 75TB	Model: DS DP 4018 (T360)	Sheet 1 OF 1	Drawn by: Z. R.	Checked by: A. M.	Revision: Added print to special print pack due to CO #97308	By: Z. R.
	Title: KITCHEN BACKSPLASH	I.D. # 2017\ SPECIALS\MOT\ 1403KT1	Date: 1/5/17	Date: 1/12/17	Revision:	Date: 1/5/17

2017 MA DP BACKSPLASH TILE

PLEASE ACKNOWLEDGE AND DATE THE FOLLOWING ORDER/PRINT FOR APPROVAL TO BUILD, AND FAX TO NEWMAR (AT 574-773-2895) AS SOON AS POSSIBLE

DATE: _____

SIGN: _____



SOLID DENOTES 1/4" RECESS FOR TILE INLAY

UNIT: # 606448
 DEALER: Holland Motor Homes
 SPECIAL: # 1403

NEWMAR CORP P.O. Box 30, Nappanee, IN. 46550 UNITS: INCHES TITLE BLOCK: 1TB	Model:	Sheet	Drawn by:	Checked by:	Revision: Added print to special print pack due to CO #97308	By: Z. R.
	DS DP 4018	1 OF 1	Z. R.	A. M.		Date: 1/5/17
	Title:	I.D. # 2017\	Date:	Date:	Revision:	By:
	25 1/2 LAV BASE & TOP	SPECIALS\MOT\	1/5/17	1/12/17		Date:
		1403LV				

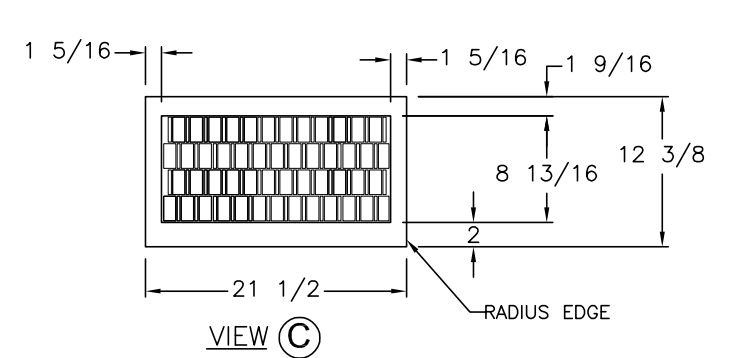
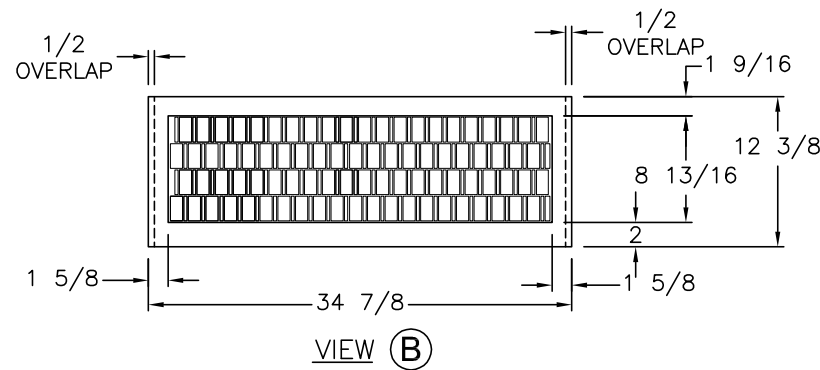
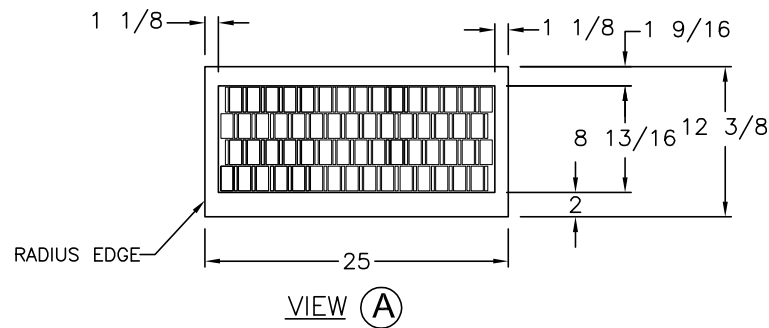
2017 MA DP BACKSPLASH TILE

PLEASE ACKNOWLEDGE AND DATE THE FOLLOWING ORDER/PRINT FOR APPROVAL TO BUILD, AND FAX TO NEWMAR (AT 574-773-2895) AS SOON AS POSSIBLE

DATE: _____

SIGN: _____

SOLID DENOTES 1/4" RECESS FOR TILE INLAY

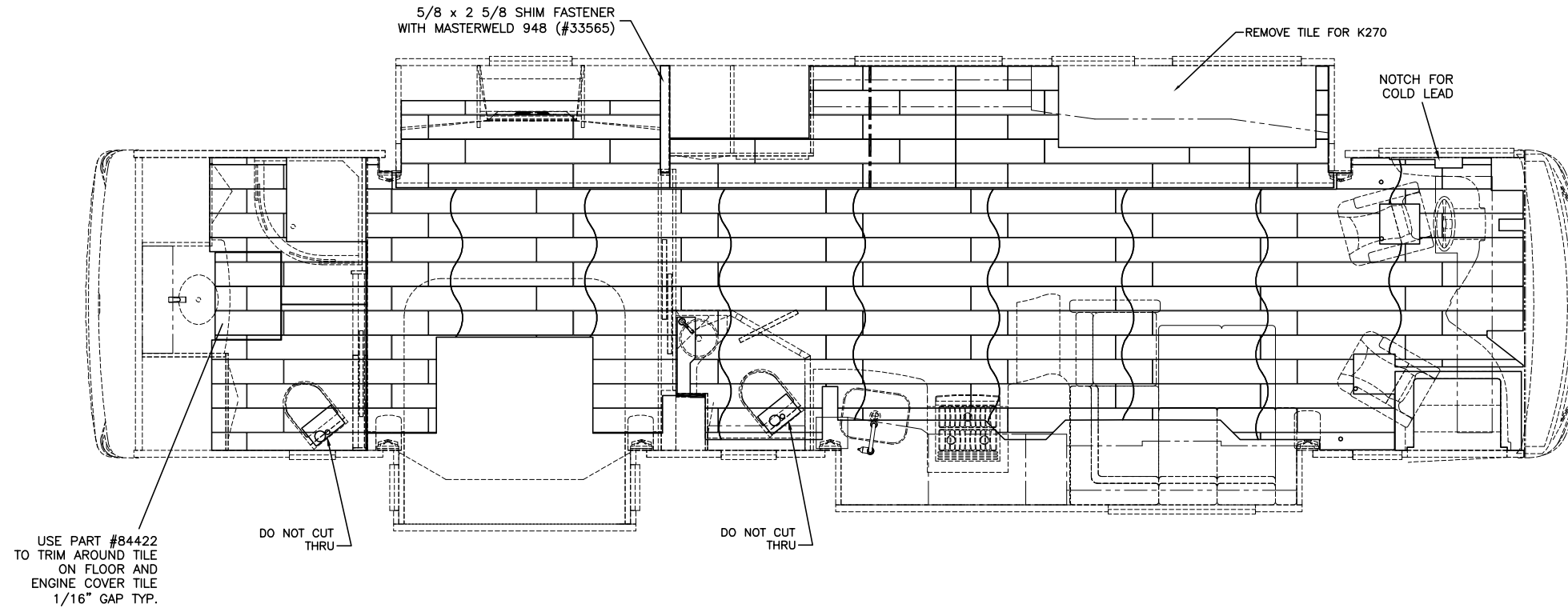


CORIAN BACKSPLASH

UNIT: # 606448
 DEALER: Holland Motor Homes
 SPECIAL: # 1403

NEWMAR CORP P.O. Box 30, Nappanee, IN. 46550 UNITS: INCHES TITLE BLOCK: 1TB	Model:	Sheet	Drawn by:	Checked by:	Revision: Added print to special print pack due to CO #97308	By: Z. R.
	DS DP 4018	1 OF 1	Z. R.	A. M.		Date: 1/5/17
	Title:	I.D. # 2017\	Date:	Date:	Revision:	By:
	35 3/4 LAV BASE & TOP	SPECIALS\MOT\	1/5/17	1/12/17		Date:
		1403LV1				

NOTE: ALL DIMENSIONS POINT TO TILE GEOMETRY EXCEPT WHERE NOTED



2017 EX DP TILE 7 3/4 x 47

PLEASE ACKNOWLEDGE AND DATE THE FOLLOWING ORDER/PRINT FOR APPROVAL TO BUILD, AND FAX TO NEWMAR (AT 574-773-2895) AS SOON AS POSSIBLE
 DATE: _____
 SIGN: _____

UNIT: # 606448
 DEALER: Holland Motor Homes
 SPECIAL: # 1403

NEWMAR CORP <i>P.O. Box 30, Nappanee, IN. 46550</i>	Model: (K270)	Sheet 1 OF 1	Drawn by: Z. R.	Checked by: A. M.	Revision: Added print to special print pack due to CO #97308	By: Z. R.
	Title: STANDARD TILE LAYOUT	I.D. # 2017\ SPECIALS\MOT\ 1403TILE	Date: 1/5/17	Date: 1/12/17	Revision:	Date: 1/5/17
UNITS: INCHES						By:
TITLE BLOCK: 3125TB						Date: