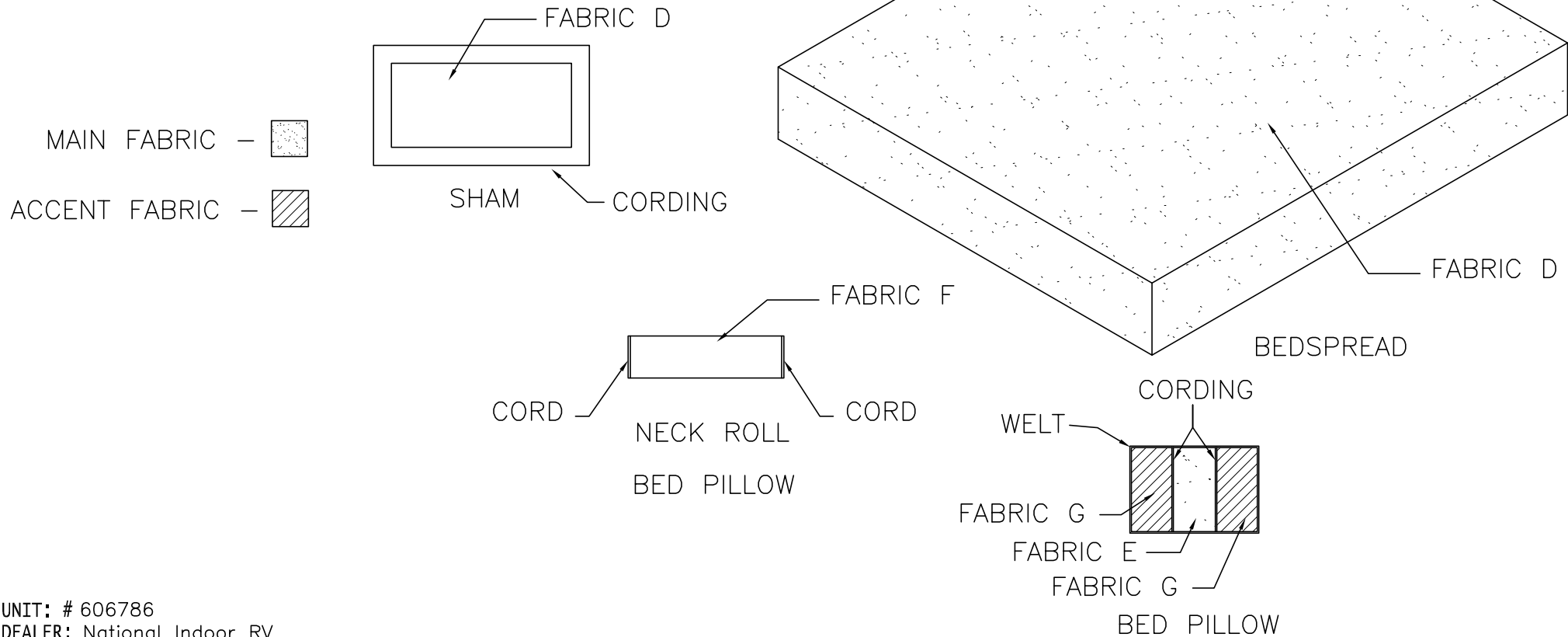


FABRIC LETTER	DECOR' NUMBER	DESCRIPTION
FABRIC "D"	NA18-620 "D"	TAZA-NATURAL
FABRIC "E"	NA18-620 "E"	VELLUTO-BLACK
FABRIC "F"	NA18-620 "F"	BONITA/B-STONE
FABRIC "G"	NA18-620 "G"	TOSCANA 701-33232 WHITE SAND
FABRIC "CORD"	NA18-620 "CORD"	CD06617-01-A PAPYRUS

NA18-620

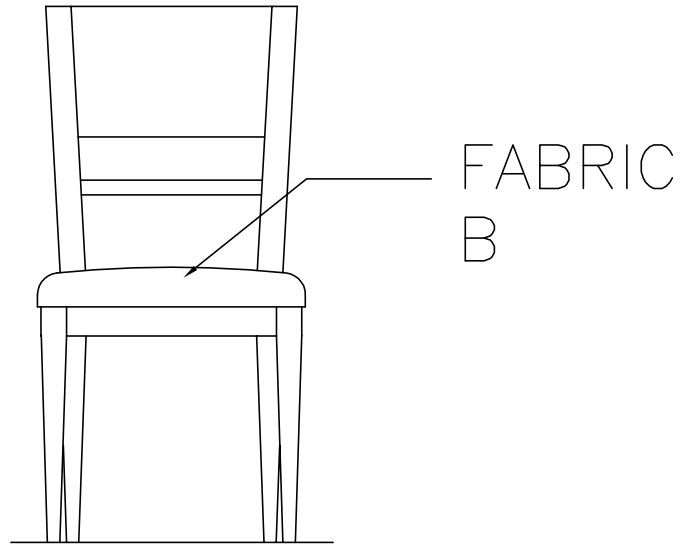


UNIT: # 606786
 DEALER: National Indoor RV
 SPECIAL: # 404

NOTE: GENERAL VISUAL REPRESENTATION OF INTERIOR COMPONENTS. NOT FOR DIMENSIONAL USE.

NEWMAR CORP P.O. Box 30, Nappanee, IN. 46550	Model:	Sheet	Drawn by:	Checked by:	Revision: Changed to show NA18-620 "G" ILO standard "E"	By: Z. R.
	DS DP 4369	1 OF 1	Z. R.	A. M.		Date: 8/2/17
UNITS: INCHES	Title: FABRIC CALL OUTS	I.D. # 2018\	Date:	Date:	Revision:	By:
TITLE BLOCK: 1-5TB	BEDROOM	SPECIALS\MOT\	5/23/17	5/23/17		Date:
		404FAB				

FABRIC LETTER	DECOR' NUMBER	DESCRIPTION
FABRIC "B"	NA18-620 "A"	TOSCANA 701-33232 WHITE SAND



DINETTE CHAIR

UNIT: # 606786
 DEALER: National Indoor RV
 SPECIAL: # 404

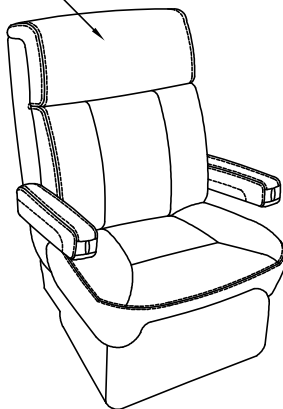
NOTE: GENERAL VISUAL REPRESENTATION OF INTERIOR COMPONENTS. NOT FOR DIMENSIONAL USE.

4

NEWMAR CORP P.O. Box 30, Nappanee, IN. 46550	Model:	Sheet	Drawn by:	Checked by:	Revision: Changed to show NA18-620 "G" ILO standard "E"	By: Z. R.
	DS DP 4369	1 OF 1	Z. R.	A. M.		Date: 8/2/17
	Title: FABRIC CALL OUTS DINETTE CHAIR	I.D. # 2018\ SPECIALS\MOT\ 404FAB	Date:	Date:	Revision:	By:
UNITS: INCHES		5/23/17	5/23/17			Date:
TITLE BLOCK: 1-5TB						

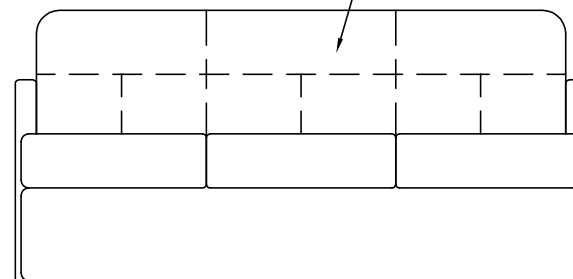
FABRIC LETTER	DECOR' NUMBER	DESCRIPTION
FABRIC "A"	NA18-620 "A"	TOSCANA 701-33232 WHITE SAND
FABRIC "C"	DS18-290 "C"	BRILLIANT-GOLD

FABRIC A



DRIVER/PASSENGER

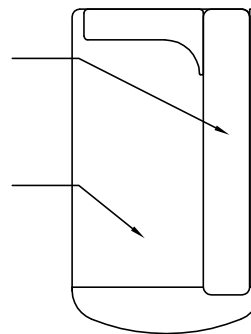
FABRIC A



SOFA/FURNITURE

FABRIC C
(4311 ONLY)

FABRIC A



DINETTE

UNIT: # 606786
 DEALER: National Indoor RV
 SPECIAL: # 404

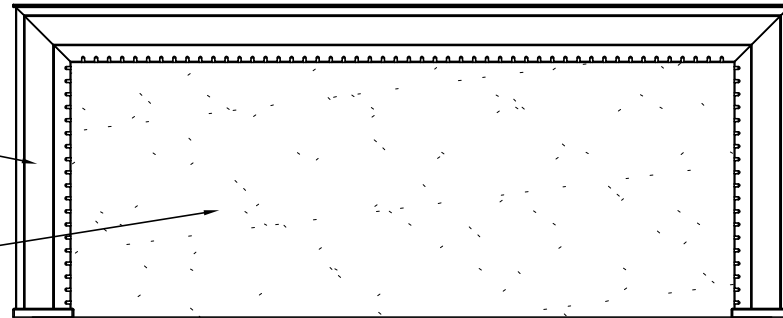
NOTE: GENERAL VISUAL REPRESENTATION OF INTERIOR COMPONENTS. NOT FOR DIMENSIONAL USE.

NEWMAR CORP P.O. Box 30, Nappanee, IN. 46550	Model:	Sheet	Drawn by:	Checked by:	Revision: Changed to show NA18-620 "G" ILO standard "E"	By: Z. R.
	DS DP 4369	1 OF 1	Z. R.	A. M.		Date: 8/2/17
UNITS: INCHES	Title: FABRIC CALL OUTS FURNITURE	I.D. # 2018\ SPECIALS\MOT\ 404FAB	Date:	Date:	Revision:	By:
TITLE BLOCK: 1-5TB			5/23/17	5/23/17		

FABRIC LETTER	DECOR' NUMBER	DESCRIPTION
FABRIC "G"	NA18-620 "G"	TOSCANA 701-33232 WHITE SAND

HARDWOOD

FABRIC G



HEADBOARD

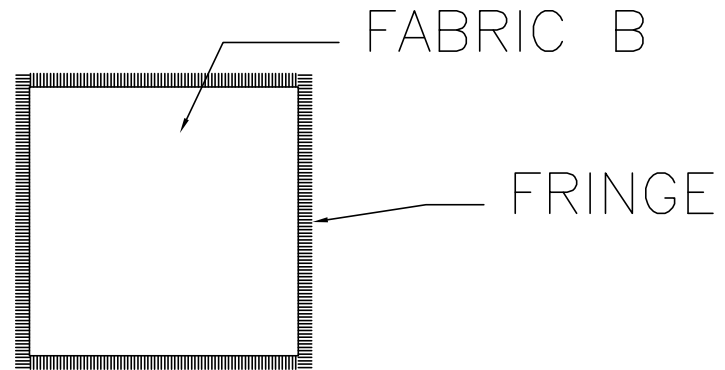
UNIT: # 606786
 DEALER: National Indoor RV
 SPECIAL: # 404

NOTE: GENERAL VISUAL REPRESENTATION OF INTERIOR COMPONENTS. NOT FOR DIMENSIONAL USE.

5

NEWMAR CORP P.O. Box 30, Nappanee, IN. 46550	Model:	Sheet	Drawn by:	Checked by:	Revision: Changed to show NA18-620 "G" ILO standard "E"	By: Z. R.
	DS DP 4369	1 OF 1	Z. R.	A. M.		Date: 8/2/17
	Title: FABRIC CALL OUTS HEADBOARD	I.D. # 2018\ SPECIALS\MOT\ 404FAB	Date:	Date:	Revision:	By:
UNITS: INCHES			5/23/17	5/23/17		Date:
TITLE BLOCK: 1-5TB						

FABRIC LETTER	DECOR' NUMBER	DESCRIPTION
FABRIC "B"	NA18-620 "B"	AQUILINE-DOMINO
FRINGE	DS18-290 "FRINGE"	CD05897-01-A BEIGE



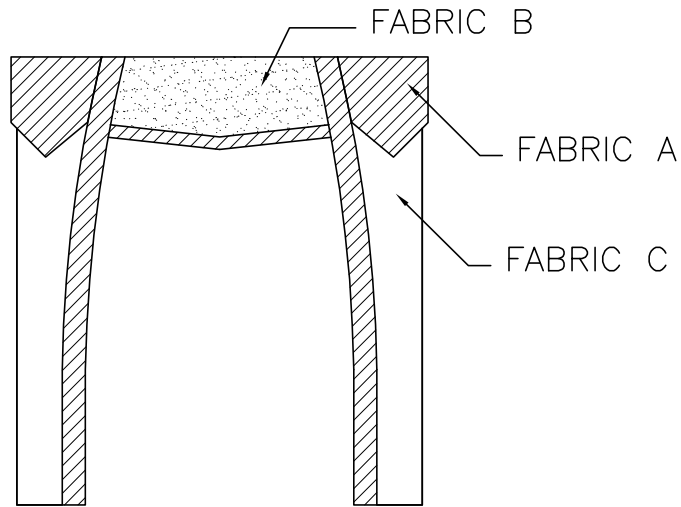
SOFA PILLOW

UNIT: # 606786
 DEALER: National Indoor RV
 SPECIAL: # 404

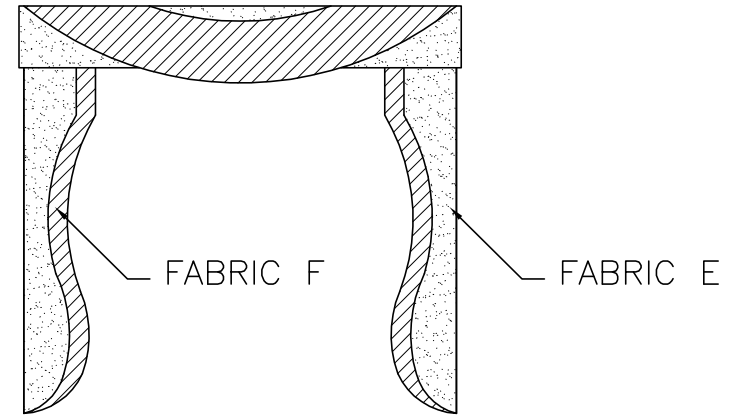
NOTE: GENERAL VISUAL REPRESENTATION OF INTERIOR COMPONENTS. NOT FOR DIMENSIONAL USE.

NEWMAR CORP P.O. Box 30, Nappanee, IN. 46550	Model:	Sheet	Drawn by:	Checked by:	Revision: Changed to show NA18-620 "G" ILO standard "E"	By: Z. R.
	DS DP 4369	1 OF 1	Z. R.	A. M.		Date: 8/2/17
	Title: FABRIC CALL OUTS SOFA PILLOW	I.D. # 2018\ SPECIALS\MOT\ 404FAB	Date:	Date:	Revision:	By:
UNITS: INCHES		5/23/17	5/23/17			Date:
TITLE BLOCK: 1-5TB						

FABRIC LETTER	DECOR' NUMBER	DESCRIPTION
FABRIC "A"	NA18-620 "A"	TOSCANA 701-33232 WHITE SAND
FABRIC "B"	NA18-620 "C"	RINZU 6785-TEXPLAIN 1-202
FABRIC "C"	NA18-620 "C"	RINZU 6785-TEXPLAIN 1-202
FABRIC "E"	NA18-620 "G"	TOSCANA 701-33232 WHITE SAND
FABRIC "F"	NA18-620 "F"	BONITA/B-STONE



LIVINGROOM/KITCHEN



BEDROOM/BATHROOM

MAIN FABRIC — 

ACCENT FABRIC #1 — 

ACCENT FABRIC #2 — 

UNIT: # 606786
 DEALER: National Indoor RV
 SPECIAL: # 404

NOTE: GENERAL VISUAL REPRESENTATION OF INTERIOR COMPONENTS. NOT FOR DIMENSIONAL USE.

NEWMAR CORP P.O. Box 30, Nappanee, IN. 46550	Model:	Sheet	Drawn by:	Checked by:	Revision: Changed to show NA18-620 "G" ILO standard "E"	By: Z. R.
	DS DP 4369	1 OF 1	Z. R.	A. M.		Date: 8/2/17
	Title: FABRIC CALL OUTS WINDOW TREATMENTS	I.D. # 2018\ SPECIALS\MOT\ 404FAB	Date:	Date:	Revision:	By:
UNITS: INCHES		5/23/17	5/23/17			Date:
TITLE BLOCK: 1-5TB						

2018 NA DP BACKSPLASH TILE

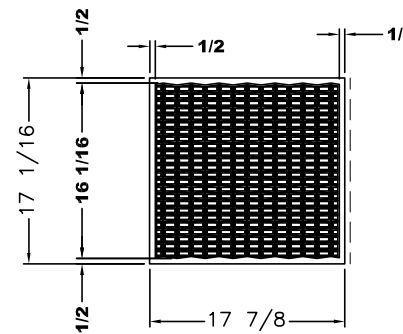
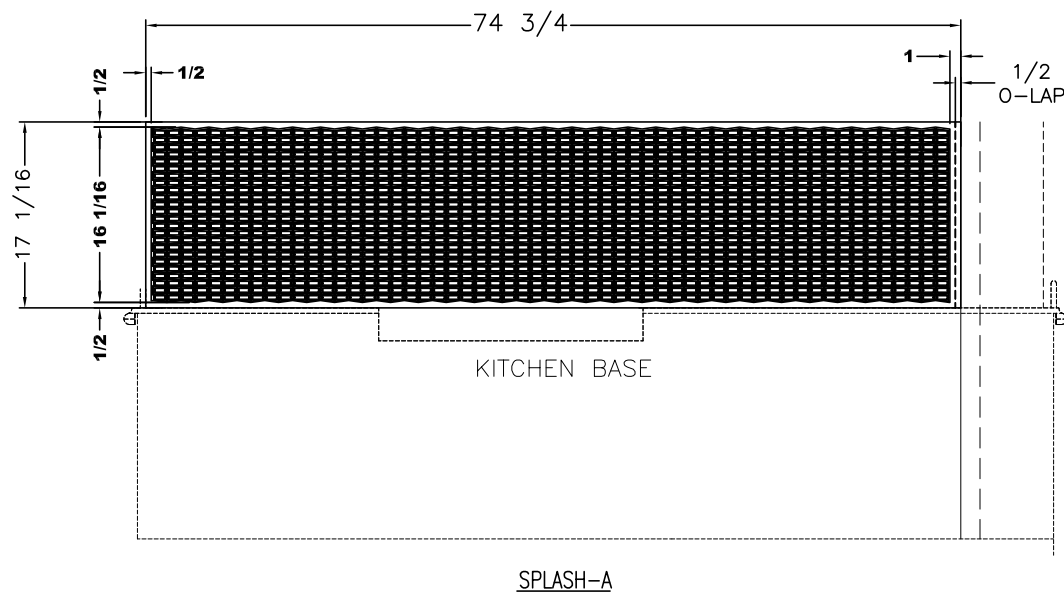
PLEASE ACKNOWLEDGE AND DATE THE FOLLOWING ORDER/PRINT FOR APPROVAL TO BUILD, AND FAX TO NEWMAR (AT 574-773-2895) AS SOON AS POSSIBLE

DATE: _____

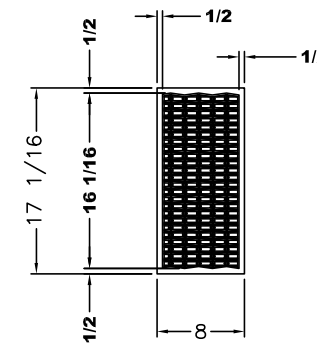
SIGN: _____

SOLID DENOTES 1/4" RECESS FOR TILE INLAY

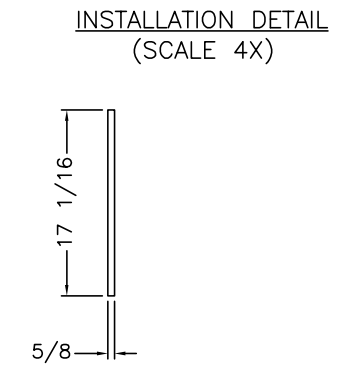
CENTER TILE LAYOUT



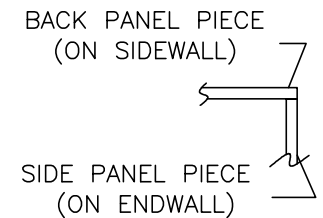
SPLASH-B



SPLASH-C



SPLASH-D



UNIT: # 606786
 DEALER: National Indoor RV
 SPECIAL: # 404

TILE/SOLID SURFACE BACKSPLASH

NEWMAR CORP P.O. Box 30, Nappanee, IN. 46550 UNITS: INCHES TITLE BLOCK: 75TB	Model:	Sheet	Drawn by:	Checked by:	Revision:	By:
	DS DP 4369	1 OF 1	Z. R.	A. M.		Date:
	Title:	I.D. # 2018\	Date:	Date:	Revision:	By:
	75 1/2 KITCHEN CABINET	SPECIALS\MOT\	5/23/17	5/23/17		Date:
		404KT				

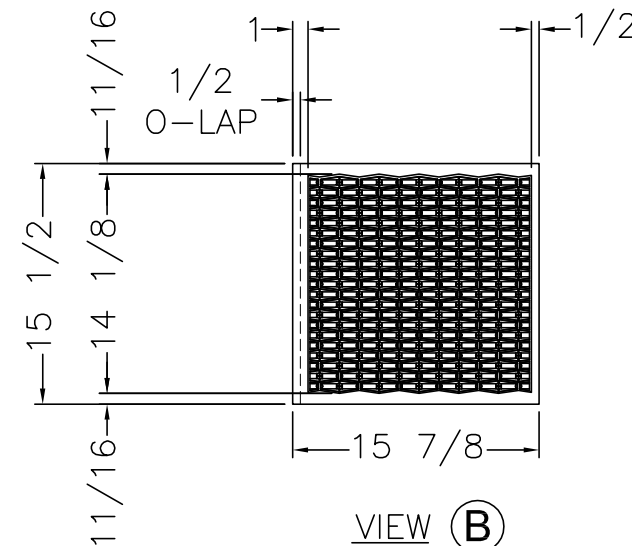
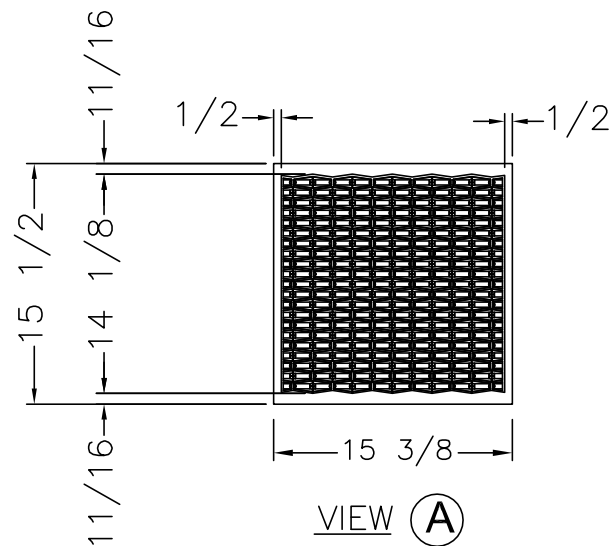
2018 NA DP BACKSPLASH TILE

PLEASE ACKNOWLEDGE AND DATE THE FOLLOWING ORDER/PRINT FOR APPROVAL TO BUILD, AND FAX TO NEWMAR (AT 574-773-2895) AS SOON AS POSSIBLE

DATE: _____

SIGN: _____

SOLID DENOTES 1/4"
RECESS FOR TILE INLAY



CENTER TILE LAYOUT

UNIT: # 606786
DEALER: National Indoor RV
SPECIAL: # 404

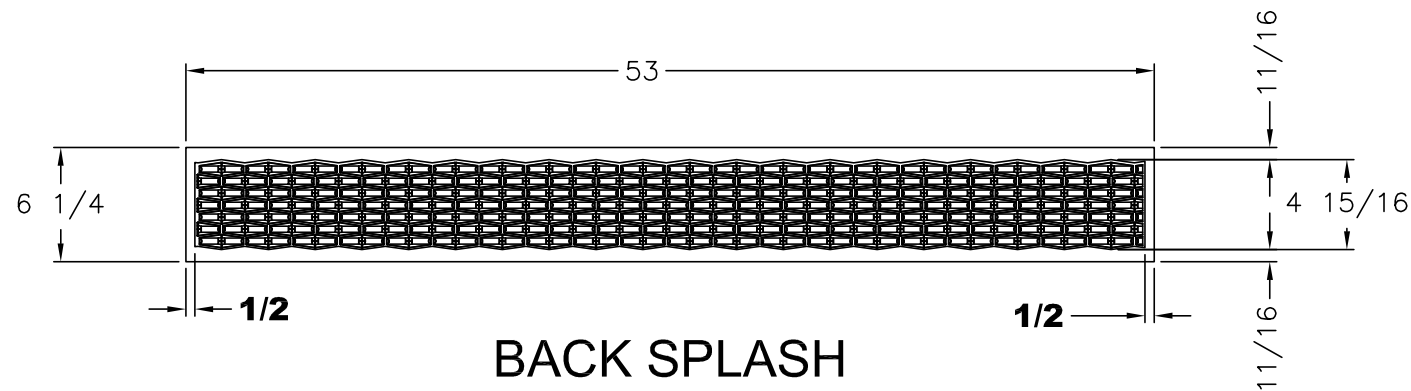
NEWMAR CORP P.O. Box 30, Nappanee, IN. 46550	Model:	Sheet	Drawn by:	Checked by:	Revision:	By:
	DS DP 4369	1 OF 1	Z. R.	A. M.		Date:
UNITS: INCHES	Title:	I.D. # 2018\	Date:	Date:	Revision:	By:
TITLE BLOCK: 1TB	16 LAV BASE & TOP	SPECIALS\MOT\ 404LV	5/23/17	5/23/17		Date:

2018 NA DP BACKSPLASH TILE

PLEASE ACKNOWLEDGE AND DATE THE FOLLOWING ORDER/PRINT FOR APPROVAL TO BUILD, AND FAX TO NEWMAR (AT 574-773-2895) AS SOON AS POSSIBLE

DATE: _____

SIGN: _____

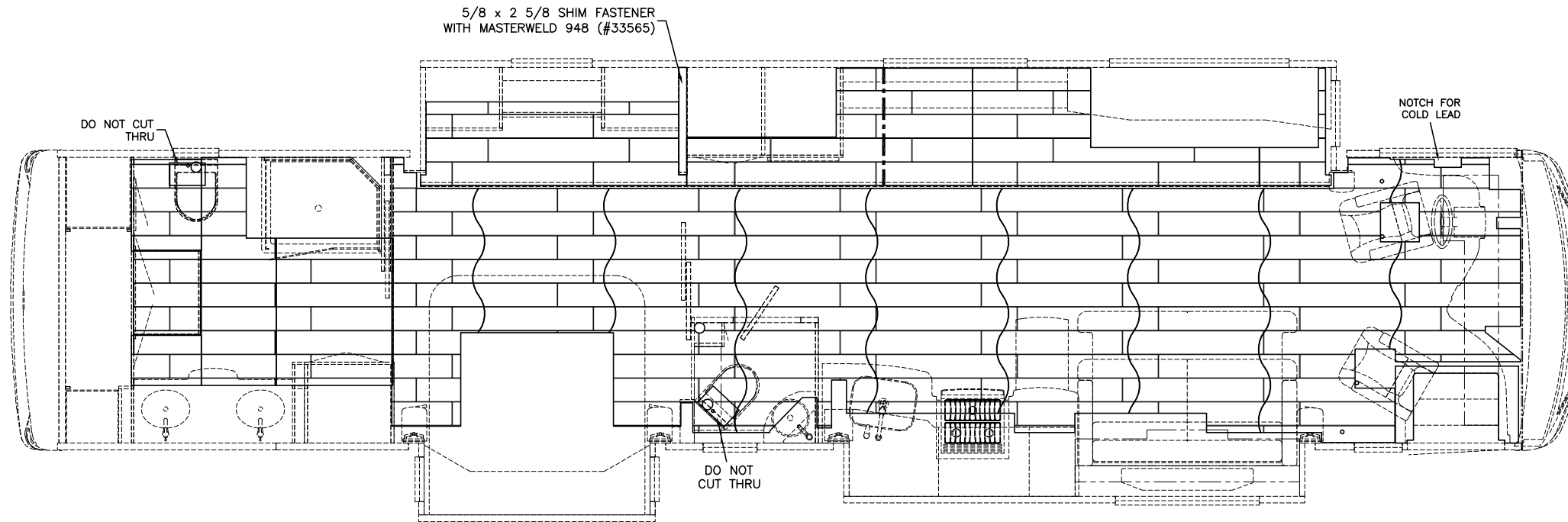


BACK SPLASH

SOLID DENOTES 1/4"
RECESS FOR TILE INLAY

UNIT: # 606786
DEALER: National Indoor RV
SPECIAL: # 404

NEWMAR CORP P.O. Box 30, Nappanee, IN. 46550	Model:	DS DP 4369	Sheet	1 OF 1	Drawn by:	Z. R.	Checked by:	A. M.	Revision:		By:	
	Title:	53 LAV BASE & TOP	I.D. # 2018\	SPECIALS\MOT\	404LV1	Date:	5/23/17	Date:	5/23/17	Revision:		Date:
UNITS: INCHES												
TITLE BLOCK: 1TB												



2018 EX DP TILE 7 3/4 x 47

PLEASE ACKNOWLEDGE AND DATE THE FOLLOWING ORDER/PRINT FOR APPROVAL TO BUILD, AND FAX TO NEWMAR (AT 574-773-2895) AS SOON AS POSSIBLE
 DATE: _____
 SIGN: _____

UNIT: # 606786
 DEALER: National Indoor RV
 SPECIAL: # 404

NEWMAR CORP P.O. Box 30, Nappanee, IN. 46550 UNITS: INCHES TITLE BLOCK: 3125TB	Model: DS DP 4369	Sheet 1 OF 1	Drawn by: Z. R.	Checked by: A. M.	Revision:	By:
	Title: STANDARD TILE LAYOUT	I.D. # 2018\ SPECIALS\MOT\ 404TILE	Date: 5/23/17	Date: 5/23/17	Revision:	Date: