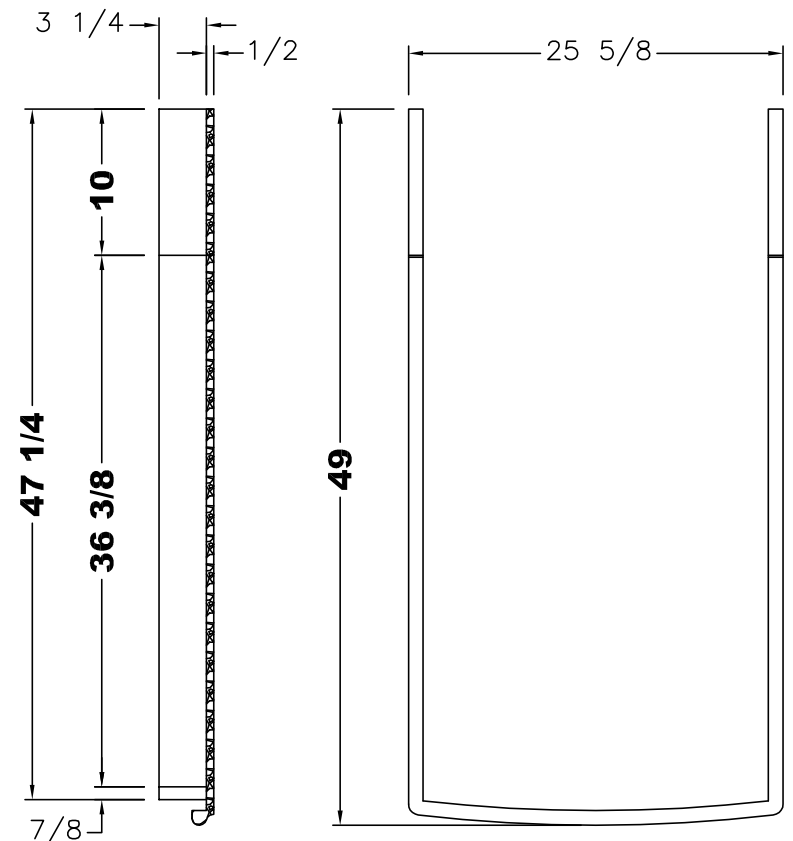
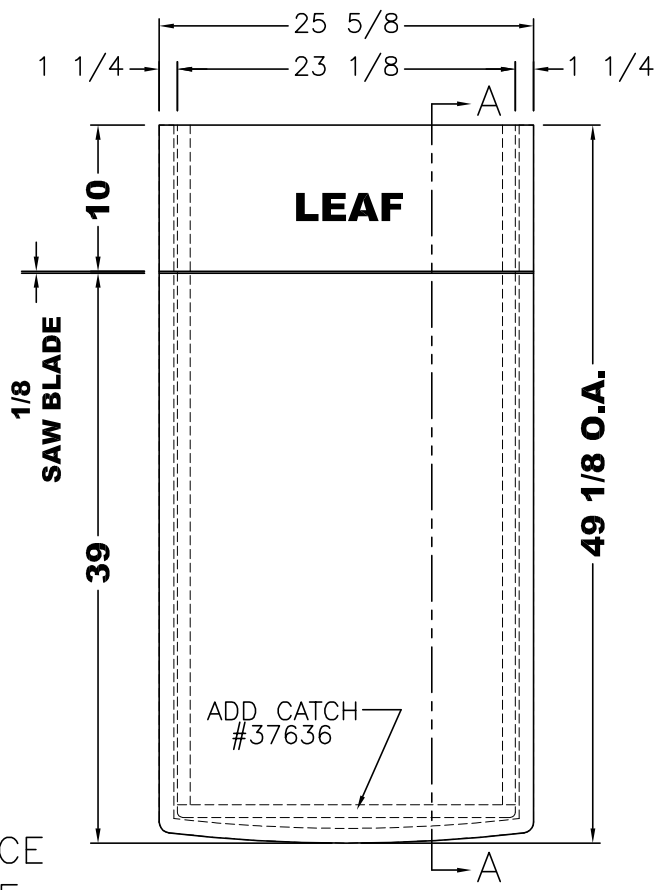
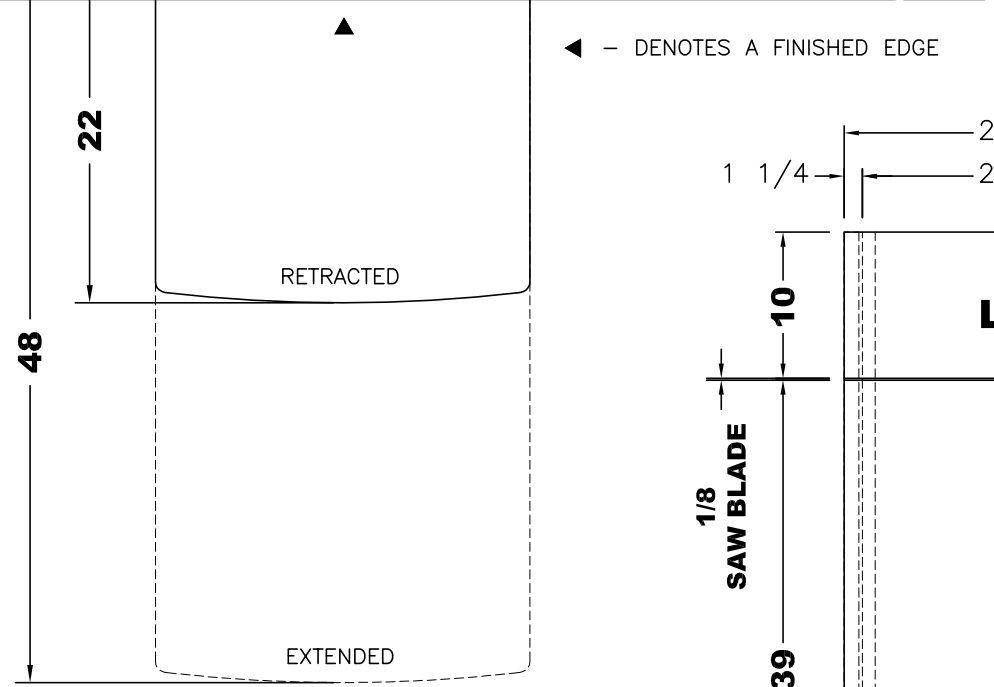


PLEASE ACKNOWLEDGE AND DATE THE FOLLOWING ORDER/PRINT FOR APPROVAL TO BUILD, AND FAX TO NEWMAR (AT 574-773-2895) AS SOON AS POSSIBLE
 DATE: _____
 SIGN: _____



UNIT: # 606801
 DEALER: Transwest Truck, MO
 SPECIAL: # 241

1/2" SOLID SURFACE
 CNC AS (1) PIECE

NEWMAR CORP
 P.O. Box 30,
 Nappanee, IN. 46550

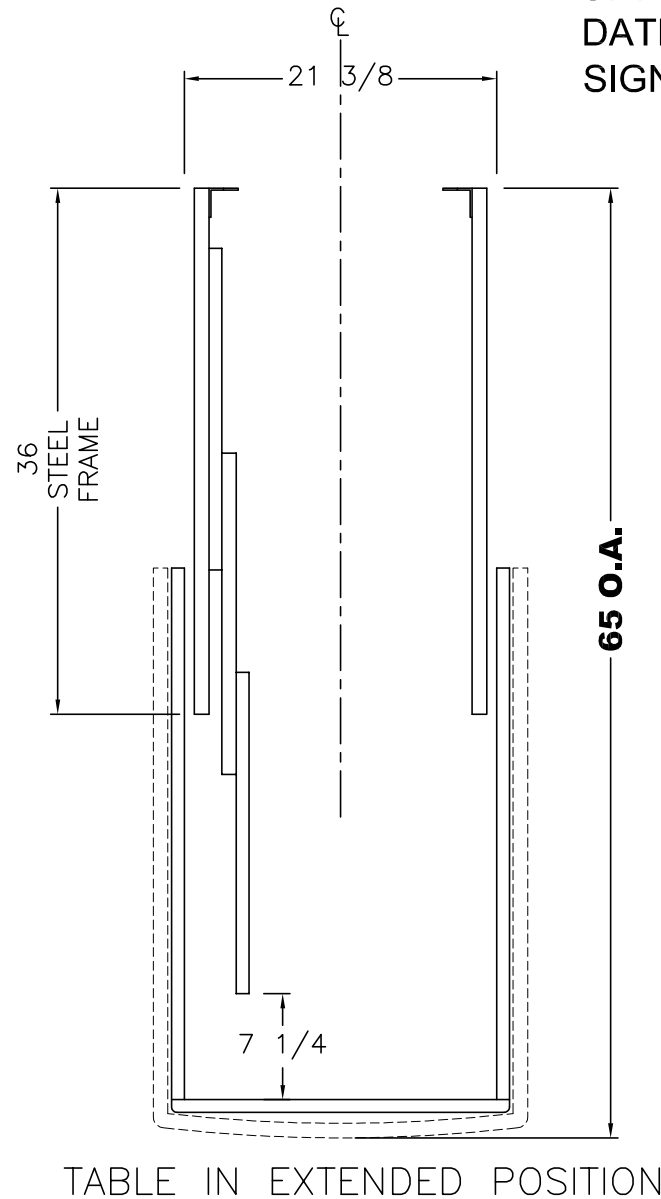
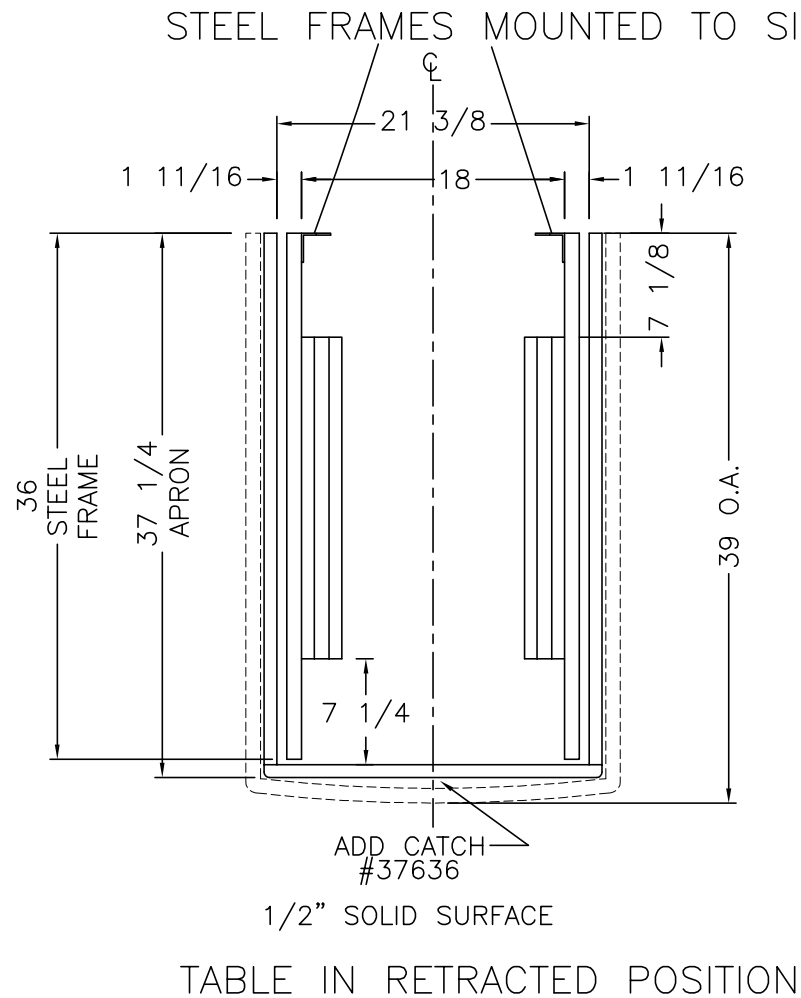
Model: DS DP 4310 (K128)	Sheet 1 OF 2	Drawn by: Z. R.	Checked by: A. M.	Revision:	By:
					Date:
Title: 75 COMBINATION DESK W/ BUFFET DINETTE	I.D. # 2018 \ SPECIALS \ MOT \ 241DK	Date: 5/5/17	Date: 5/5/17	Revision:	By:
					Date:

UNITS: INCHES
 TITLE BLOCK: 1TB

PLEASE ACKNOWLEDGE AND DATE THE FOLLOWING ORDER/PRINT FOR APPROVAL TO BUILD, AND FAX TO NEWMAR (AT 574-773-2895) AS SOON AS POSSIBLE

DATE: _____

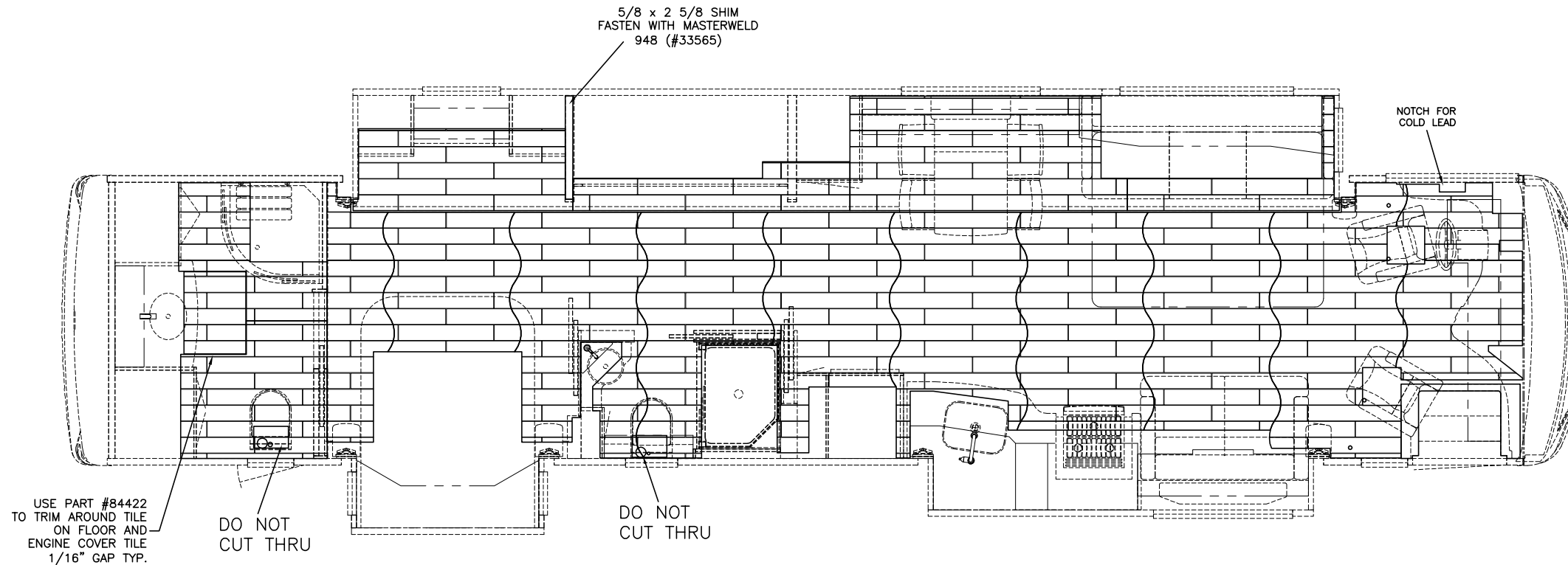
SIGN: _____



**TABLE SLIDE
EXTENDED TO
26" TRAVEL
LENGTH**

UNIT: # 606801
DEALER: Transwest Truck, MO
SPECIAL: # 241

NEWMAR CORP P.O. Box 30, Nappanee, IN. 46550 UNITS: INCHES TITLE BLOCK: 1TB	Model: DS DP 4310 (K128)	Sheet 2 OF 2	Drawn by: Z. R.	Checked by: A. M.	Revision:	By:
	Title: 75 COMBINATION DESK W/ BUFFET DINETTE	I.D. # 2018 \ SPECIALS \ MOT \ 241DK	Date: 5/5/17	Date: 5/5/17	Revision:	By:



2018 KG DB TILE
32 7/8 x 5 3/8

PLEASE ACKNOWLEDGE AND DATE THE FOLLOWING ORDER/PRINT FOR APPROVAL TO BUILD, AND FAX TO NEWMAR (AT 574-773-2895) AS SOON AS POSSIBLE
 DATE: _____
 SIGN: _____

UNIT: # 606801
 DEALER: Transwest Truck, MO
 SPECIAL: # 241

NEWMAR CORP P.O. Box 30, Nappanee, IN. 46550	Model:	Sheet	Drawn by:	Checked by:	Revision:	By:
	DS DP 4310	1 OF 1	Z. R.	A. M.		Date:
UNITS: INCHES	Title:	I.D. # 2018\	Date:	Date:	Revision:	By:
TITLE BLOCK: 3125TB	STANDARD TILE LAYOUT	SPECIALS\MOT\ 241TILE	5/5/17	5/5/17		Date: