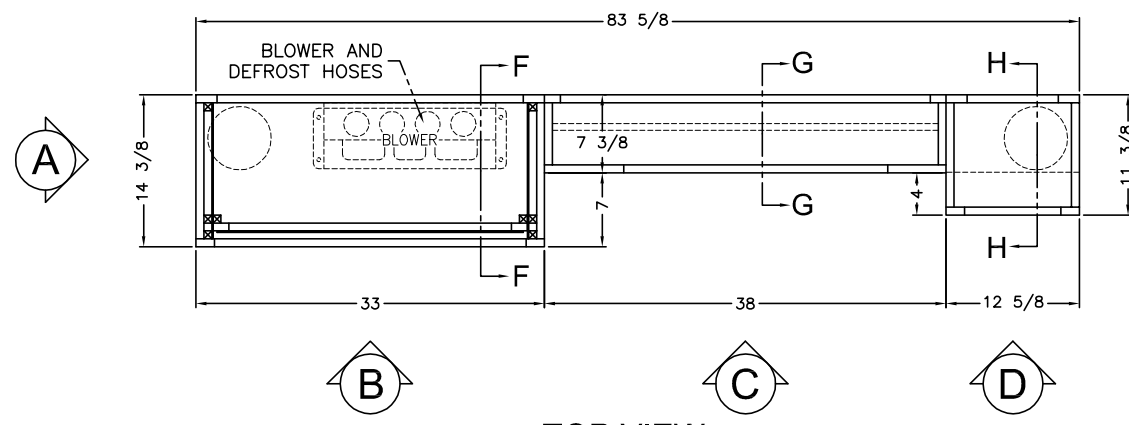
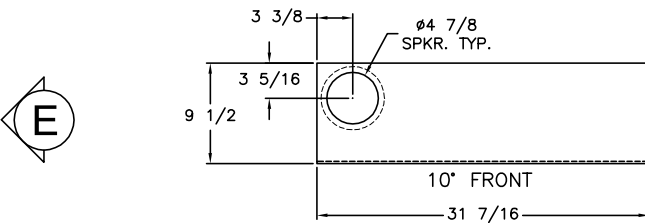


ITEM #	QTY	NEWMAR #	DESCRIPTION
1	1	135799	SONY 40" LED TV (KDL-40W650D)
2	1	135876	40 LED TV MOUNT

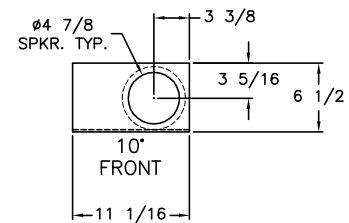
PLEASE ACKNOWLEDGE AND DATE THE FOLLOWING ORDER/PRINT FOR APPROVAL TO BUILD, AND FAX TO NEWMAR (AT 574-773-2895) AS SOON AS POSSIBLE  
 DATE: \_\_\_\_\_  
 SIGN: \_\_\_\_\_



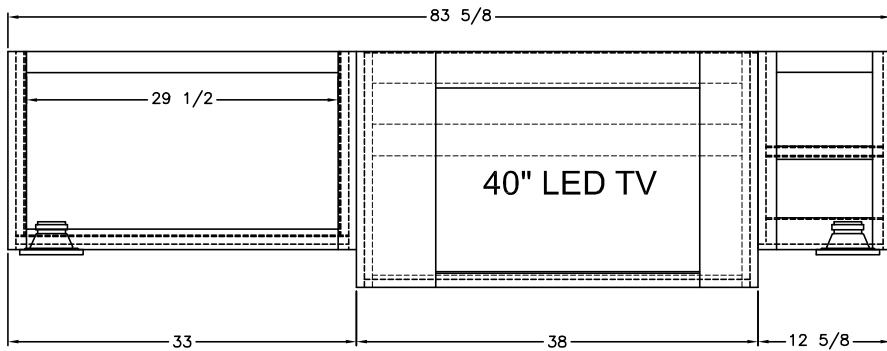
TOP VIEW



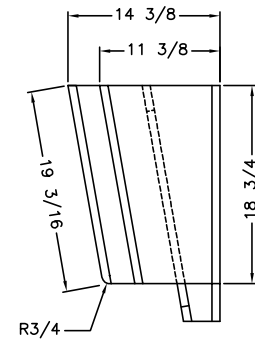
BOTTOM PANEL  
1/2" PLYW'D  
(VINYL WRAP)



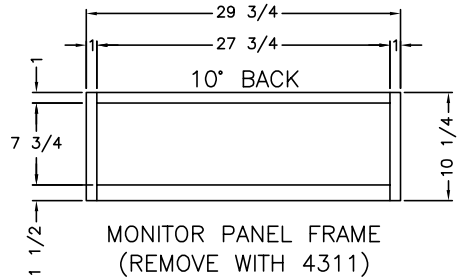
BOTTOM PANEL  
1/2" PLYW'D  
(VINYL WRAP)



FRONT VIEW



RIGHT VIEW

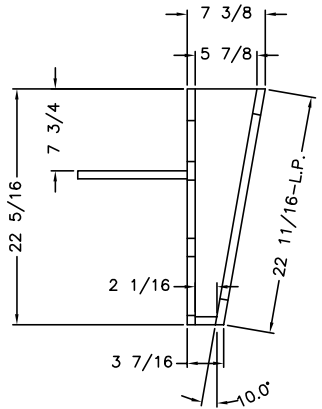


MONITOR PANEL FRAME  
(REMOVE WITH 4311)

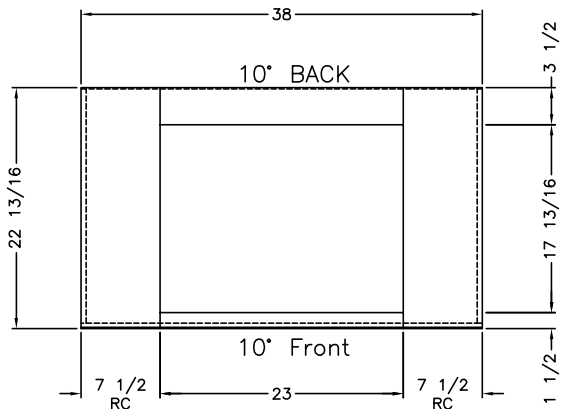
UNIT: # 606871  
 DEALER: Ancira Motorhomes  
 SPECIAL: # 384

<b>NEWMAR CORP</b> P.O. Box 30, Nappanee, IN. 46550 UNITS: INCHES TITLE BLOCK: 75TB	Model:	Sheet	Drawn by:	Checked by:	Revision:	By:
	DS DP 4311	1 OF 3	Z. R.	A. M.		Date:
	Title:	I.D. #	Date:	Date:	Revision:	By:
	40 SONY LED TV FRONT OHC	2018\ SPECIALS\MOT\ 3840H	5/15/17	5/15/17		Date:

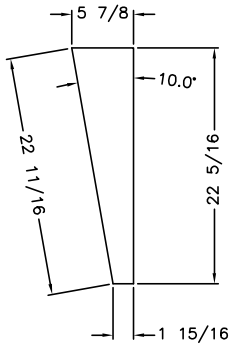
PLEASE ACKNOWLEDGE AND DATE THE FOLLOWING ORDER/PRINT FOR APPROVAL TO BUILD, AND FAX TO NEWMAR (AT 574-773-2895) AS SOON AS POSSIBLE  
 DATE: \_\_\_\_\_  
 SIGN: \_\_\_\_\_



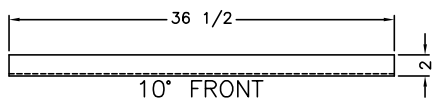
SECTION G-G



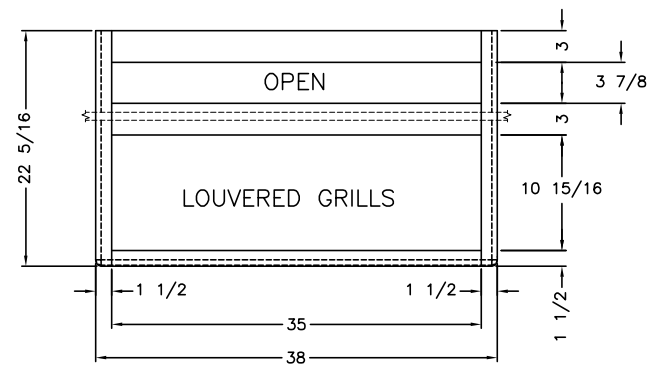
VIEW (C)



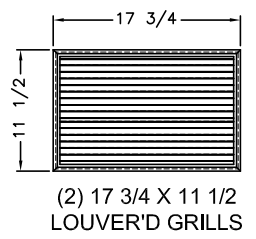
(2) SIDE PANELS



BOTTOM VIEW



VIEW (C)  
(BACK SIDE)



(2) 17 3/4 X 11 1/2  
LOUVER'D GRILLS

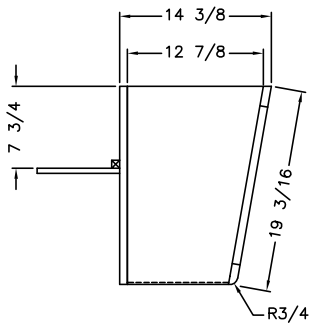
UNIT: # 606871  
 DEALER: Ancira Motorhomes  
 SPECIAL: # 384

<b>NEWMAR CORP</b> P.O. Box 30, Nappanee, IN. 46550 UNITS: INCHES TITLE BLOCK: 75TB	Model:	Sheet	Drawn by:	Checked by:	Revision:	By:
	DS DP 4311	2 OF 3	Z. R.	A. M.		Date:
	Title:	I.D. #	Date:	Date:	Revision:	By:
	40 SONY LED TV FRONT OHC	2018\ SPECIALS\MOT\ 3840H	5/15/17	5/15/17		Date:

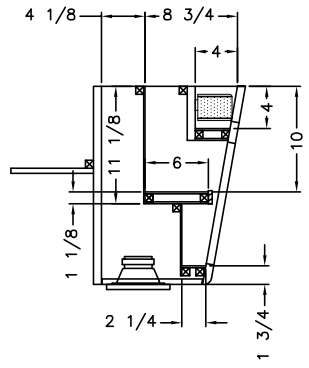
ITEM #	QTY	NEWMAR #	DESCRIPTION
1	1	134708	SOUND BAR BOSE SOLO 5
2	1	130688	SOUND BAR BRACKET

PLEASE ACKNOWLEDGE AND DATE THE FOLLOWING ORDER/PRINT FOR APPROVAL TO BUILD, AND FAX TO NEWMAR (AT 574-773-2895) AS SOON AS POSSIBLE

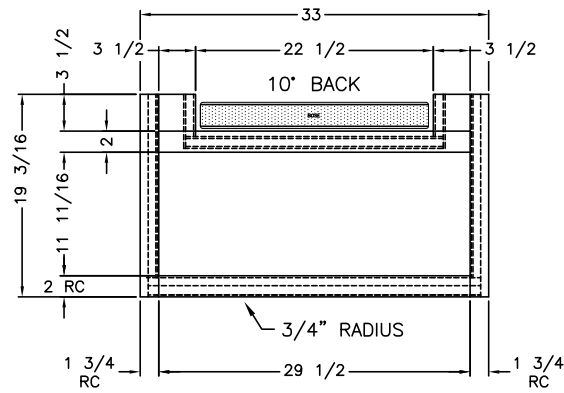
DATE: \_\_\_\_\_  
SIGN: \_\_\_\_\_



VIEW (A)

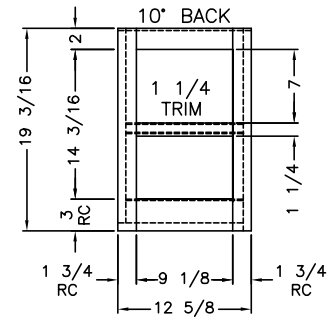


SECTION F-F  
(4311 ONLY)



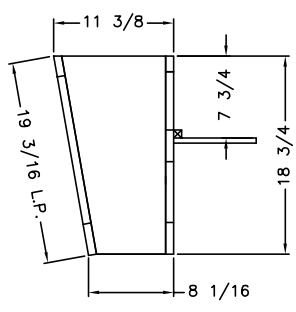
VIEW (B)  
(4311 ONLY)

(1) 30 x 12 1/4  
DOOR ON 4311 (TOP HINGE)

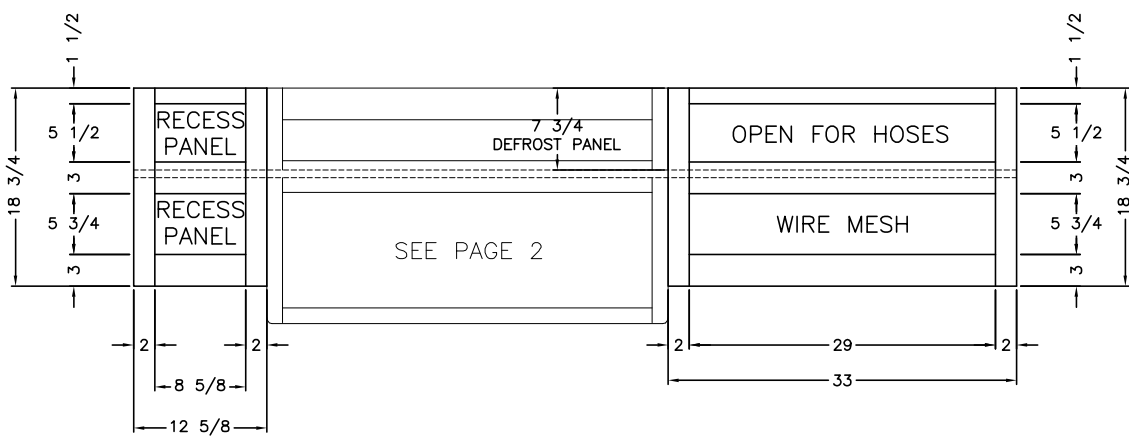


VIEW (D)

(1) 9 5/8 x 15 3/4  
TOP HINGED DOOR

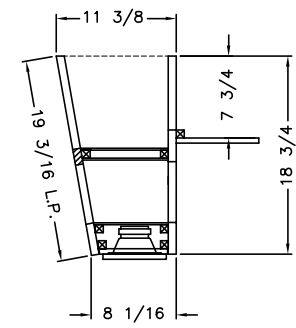


VIEW (E)

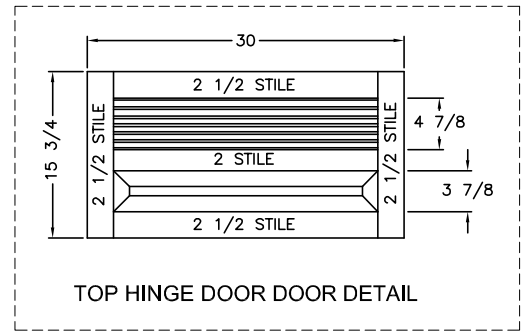


VIEW (D)  
(BACK SIDE)

VIEW (B)  
(BACK SIDE)



SECTION H-H



TOP HINGE DOOR DOOR DETAIL

UNIT: # 606871  
DEALER: Ancira Motorhomes  
SPECIAL: # 384

<b>NEWMAR CORP</b> P.O. Box 30, Nappanee, IN. 46550 UNITS: INCHES TITLE BLOCK: 75TB	Model:	Sheet	Drawn by:	Checked by:	Revision:	By:
	DS DP 4311	3 OF 3	Z. R.	A. M.		Date:
	Title:	I.D. # 2018	Date:	Date:	Revision:	By:
	40 SONY LED TV FRONT OHC	SPECIALS\MOT\ 3840H	5/15/17	5/15/17		Date: