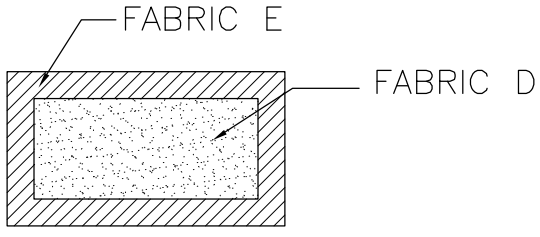
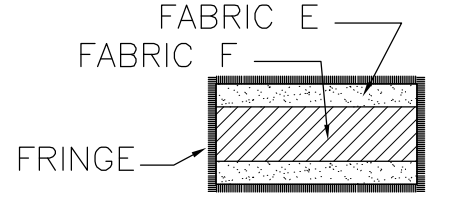


FABRIC LETTER	DECOR' NUMBER	DESCRIPTION
FABRIC "D"	DS20-310 "D"	CASSIE NAUTIC
FABRIC "E"	DS20-310 "E"	GEM IVORY
FABRIC "F"	DS20-310 "F"	BELLINO DENIM
FRINGE	DS20-310 "FRINGE"	FRB06619-01-A SAPPHIRE BLUE

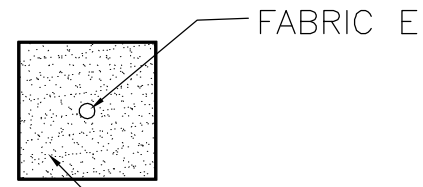


PILLOW SHAM

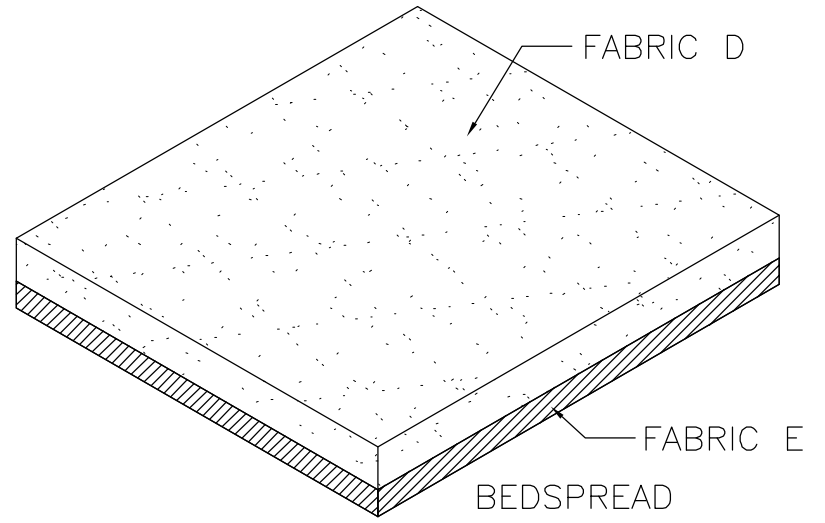


BED PILLOW "B"

MAIN FABRIC — 
 ACCENT FABRIC — 



BOX PILLOW "A"



BEDSPREAD

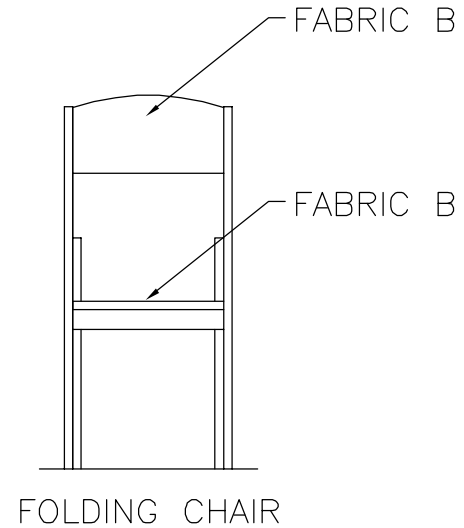
UNIT: # 608414
 DEALER: Independence RV
 SPECIAL: # 463

NOTE: GENERAL VISUAL REPRESENTATION OF INTERIOR COMPONENTS. NOT FOR DIMENSIONAL USE.

NEWMAR CORP P.O. Box 30, Nappanee, IN. 46550	Model:	Sheet	Drawn by:	Checked by:	Revision:	By:
	DS DP 4081	1 OF 1	R. N.	Z. R.		Date:
UNITS: INCHES	Title: FABRIC CALL OUTS BEDROOM	I.D. # 2020\ SPECIALS\MOT\ 463FAB	Date:	Date:	Revision:	By:
TITLE BLOCK: 1-5TB			7/26/19	7/29/19		Date:

FOLDING CHAIR

FABRIC LETTER	DECOR' NUMBER	DESCRIPTION
FABRIC "B"	DS20-310 "A"	STUCCO 708-33642 SOURDOUGH



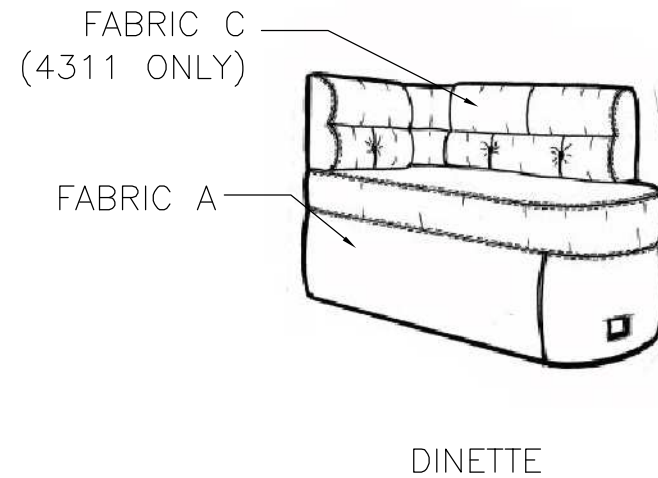
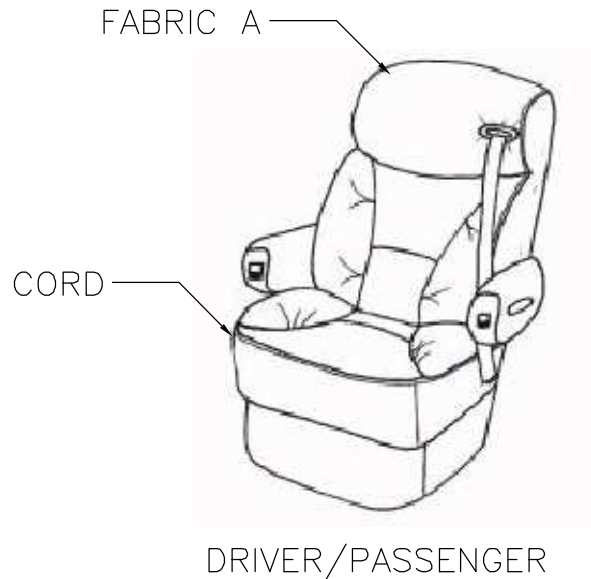
UNIT: # 608414
 DEALER: Independence RV
 SPECIAL: # 463

NOTE: GENERAL VISUAL REPRESENTATION OF INTERIOR COMPONENTS. NOT FOR DIMENSIONAL USE.

NEWMAR CORP P.O. Box 30, Nappanee, IN. 46550	Model:	Sheet	Drawn by:	Checked by:	Revision:	By:
	DS DP 4081	1 OF 1	R. N.	Z. R.		Date:
UNITS: INCHES	Title: FABRIC CALL OUTS DINETTES W/CHAIRS	I.D. # 2020\ SPECIALS\MOT\ 463FAB	Date:	Date:	Revision:	By:
TITLE BLOCK: 1-5TB			7/26/19	7/29/19		Date:

FABRIC LETTER	DECOR' NUMBER	DESCRIPTION
FABRIC "A"	DS20-310 "A"	STUCCO 708-33642 SOURDOUGH
D/P SEAT CORD	DS20-310 "CORD"	STUCCO 708-36422 TALLOW

DINETTE		
FABRIC LETTER	DECOR' NUMBER	DESCRIPTION
FABRIC "A"	DS20-310 "A"	STUCCO 708-33642 SOURDOUGH
FABRIC "C"	DS20-310 "C"	TRACKS BLUE

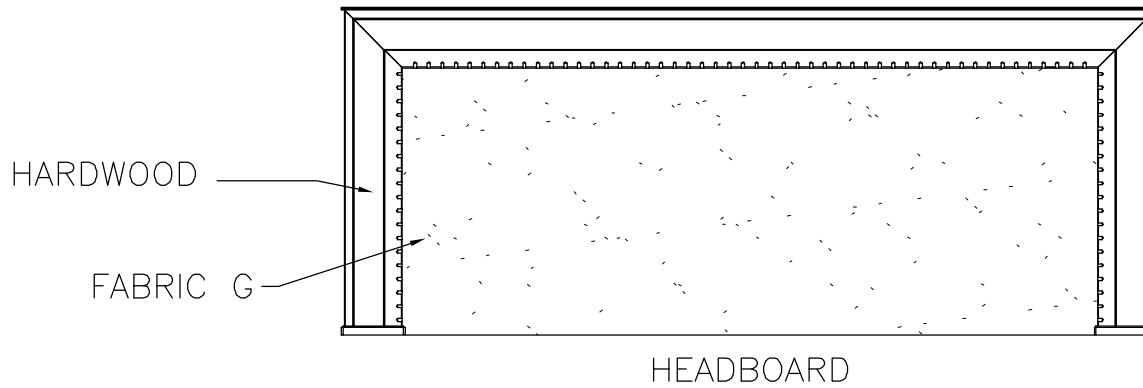


UNIT: # 608414
 DEALER: Independence RV
 SPECIAL: # 463

NOTE: GENERAL VISUAL REPRESENTATION OF INTERIOR COMPONENTS. NOT FOR DIMENSIONAL USE.

NEWMAR CORP P.O. Box 30, Nappanee, IN. 46550	Model:	Sheet	Drawn by:	Checked by:	Revision:	By:
	DS DP 4081	1 OF 1	R. N.	Z. R.		Date:
UNITS: INCHES	Title: FABRIC CALL OUTS	I.D. # 2020\	Date:	Date:	Revision:	By:
TITLE BLOCK: 1-5TB	DRIVER/PASSENGER SEATS	SPECIALS\MOT\ 463FAB	7/26/19	7/29/19		Date:

FABRIC LETTER	DECOR' NUMBER	DESCRIPTION
FABRIC "G"	DS20-310 "G"	TECOPA SANDCASTLE



UNIT: # 608414
 DEALER: Independence RV
 SPECIAL: # 463

NOTE: GENERAL VISUAL REPRESENTATION OF INTERIOR COMPONENTS. NOT FOR DIMENSIONAL USE.

7

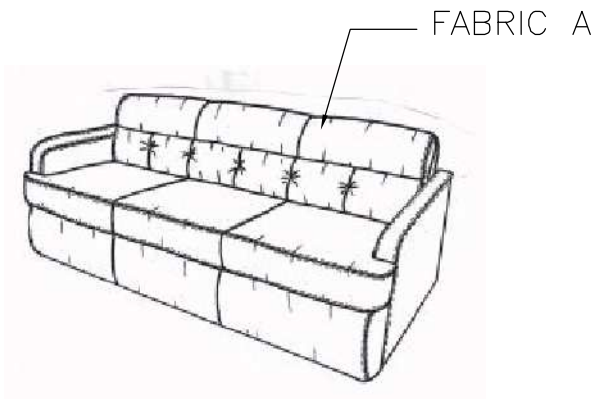
NEWMAR CORP P.O. Box 30, Nappanee, IN. 46550	Model: DS DP 4081	Sheet 1 OF 1	Drawn by: R. N.	Checked by: Z. R.	Revision:	By:
	Title: FABRIC CALL OUTS HEADBOARD	I.D. # 2020\ SPECIALS\MOT\ 463FAB	Date: 7/26/19	Date: 7/29/19	Revision:	By:
UNITS: INCHES						Date:
TITLE BLOCK: 1-5TB						Date:

FABRIC LETTER	DECOR' NUMBER	DESCRIPTION
FABRIC "A"	DS20-310 "A"	STUCCO 708-33642 SOURDOUGH

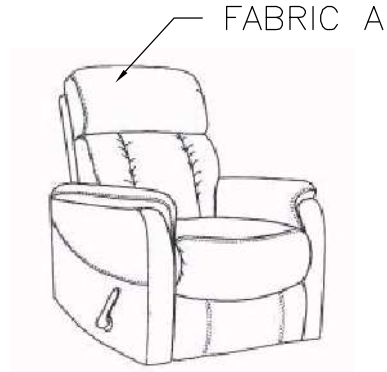
DS SOFA

RECLINERS

FABRIC LETTER	DECOR' NUMBER	DESCRIPTION
FABRIC "A"	DS20-310 "A"	STUCCO 708-33642 SOURDOUGH



SOFA/FURNITURE



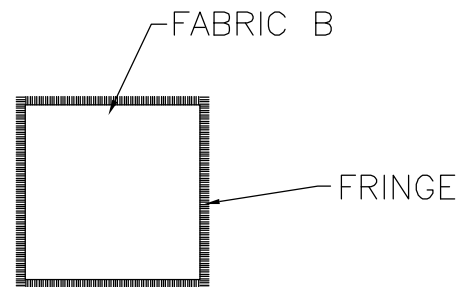
RECLINERS

UNIT: # 608414
 DEALER: Independence RV
 SPECIAL: # 463

NOTE: GENERAL VISUAL REPRESENTATION OF INTERIOR COMPONENTS. NOT FOR DIMENSIONAL USE.

NEWMAR CORP P.O. Box 30, Nappanee, IN. 46550	Model:	Sheet	Drawn by:	Checked by:	Revision:	By:
	DS DP 4081	1 OF 1	R. N.	Z. R.		Date:
UNITS: INCHES	Title: FABRIC CALL OUTS LIVINGROOM FURNITURE	I.D. # 2020\ SPECIALS\MOT\ 463FAB	Date:	Date:	Revision:	By:
TITLE BLOCK: 1-5TB			7/26/19	7/29/19		Date:

FABRIC LETTER	DECOR' NUMBER	DESCRIPTION
FABRIC "B"	DS20-310 "B"	ANDANTE COBALT
FRINGE	DS20-310 "FRINGE"	FRB06619-01-A SAPPHIRE BLUE



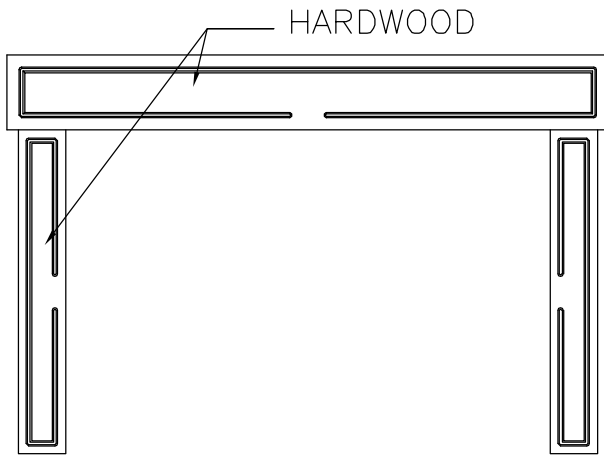
SOFA PILLOW

UNIT: # 608414
 DEALER: Independence RV
 SPECIAL: # 463

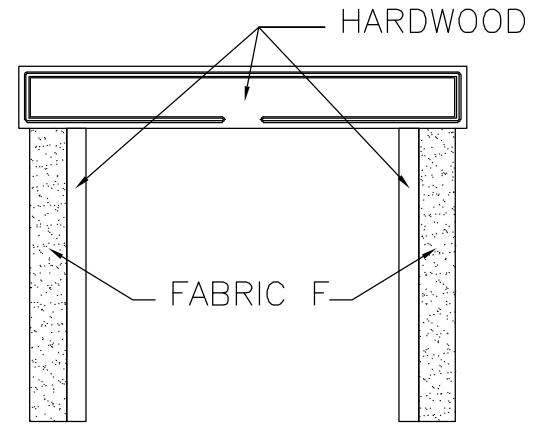
NOTE: GENERAL VISUAL REPRESENTATION OF INTERIOR COMPONENTS. NOT FOR DIMENSIONAL USE.

NEWMAR CORP P.O. Box 30, Nappanee, IN. 46550	Model:	Sheet	Drawn by:	Checked by:	Revision:	By:
	DS DP 4081	1 OF 1	R. N.	Z. R.		Date:
UNITS: INCHES	Title: FABRIC CALL OUTS	I.D. # 2020\	Date:	Date:	Revision:	By:
TITLE BLOCK: 1-5TB	SOFA PILLOWS	SPECIALS\MOT\ 463FAB	7/26/19	7/29/19		Date:

FABRIC LETTER	DECOR' NUMBER	DESCRIPTION
FABRIC "F"	DS20-310 "F"	BELLINO DENIM



LIVINGROOM/KITCHEN



BEDROOM/BATHROOM

MAIN FABRIC — 

UNIT: # 608414
 DEALER: Independence RV
 SPECIAL: # 463

NOTE: GENERAL VISUAL REPRESENTATION OF INTERIOR COMPONENTS. NOT FOR DIMENSIONAL USE.

NEWMAR CORP P.O. Box 30, Nappanee, IN. 46550	Model:	Sheet	Drawn by:	Checked by:	Revision:	By:
	DS DP 4081	1 OF 1	R. N.	Z. R.		Date:
UNITS: INCHES	Title: FABRIC CALL OUTS VALANCES	I.D. # 2020\ SPECIALS\MOT\ 463FAB	Date:	Date:	Revision:	By:
TITLE BLOCK: 1-5TB			7/26/19	7/29/19		Date: