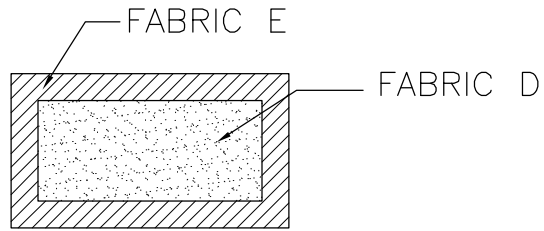


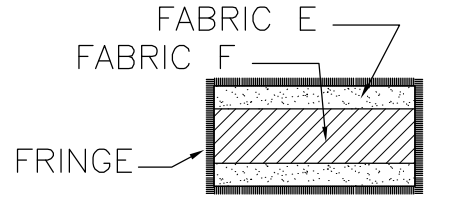
FABRIC LETTER	DECOR' NUMBER	DESCRIPTION
FABRIC "D"	DS20-290 "D"	EDDINGTON NO. 2
FABRIC "E"	DS20-290 "E"	COMFORT SUEDE STONE
FABRIC "F"	DS20-290 "F"	KIARA CAPPUCINO
FABRIC "G"	DS20-290 "G"	KANPUR TAUPE
FRINGE	DS20-290 "FRINGE"	FRB06623-01-A NATURAL



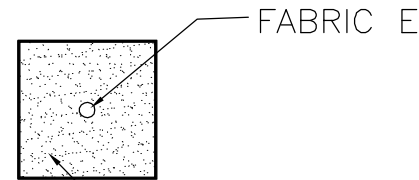
PILLOW SHAM

MAIN FABRIC — 

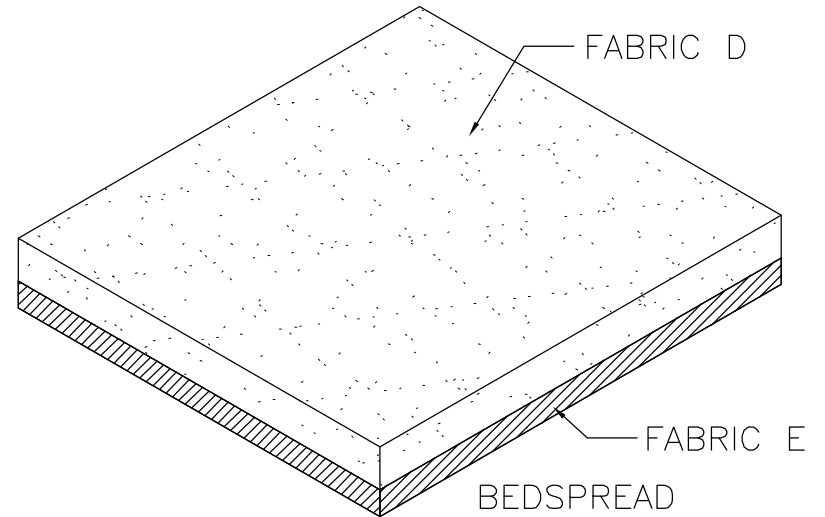
ACCENT FABRIC — 



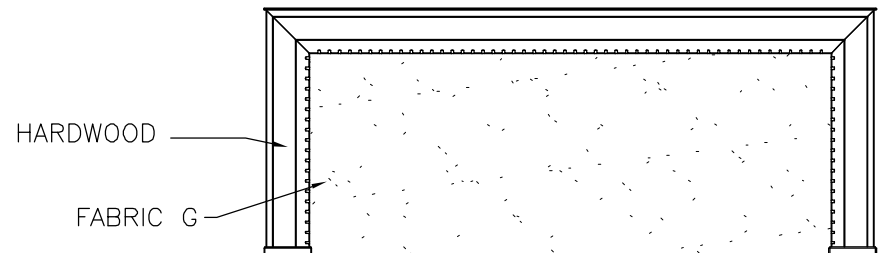
BED PILLOW "B"



BOX PILLOW "A"



BEDSPREAD



HEADBOARD

UNIT: # 608418
 DEALER: Independence RV
 SPECIAL: # 465

NOTE: GENERAL VISUAL REPRESENTATION OF INTERIOR COMPONENTS. NOT FOR DIMENSIONAL USE.

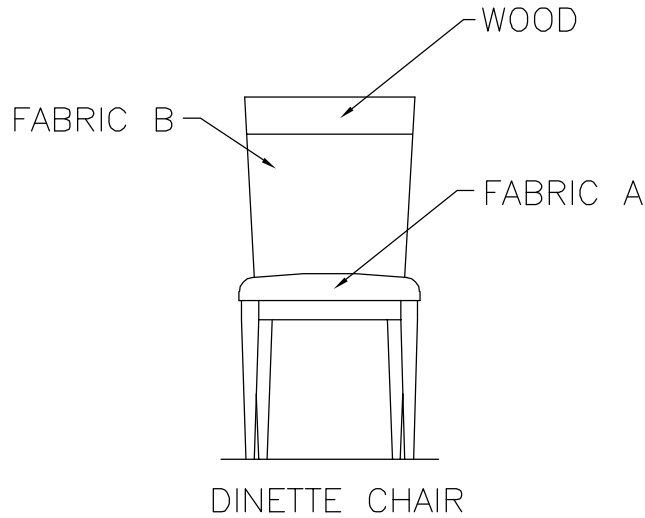
NEWMAR CORP P.O. Box 30, Nappanee, IN. 46550	Model:	Sheet	Drawn by:	Checked by:	Revision:	By:
	DS DP 4081	1 OF 1	R. N.	Z. R.		Date:
UNITS: INCHES	Title: FABRIC CALL OUTS BEDROOM	I.D. # 2020\ SPECIALS\MOT\ 465FAB	Date:	Date:	Revision:	By:
TITLE BLOCK: 1-5TB			7/30/19	7/31/19		Date:

DINETTE CHAIRS

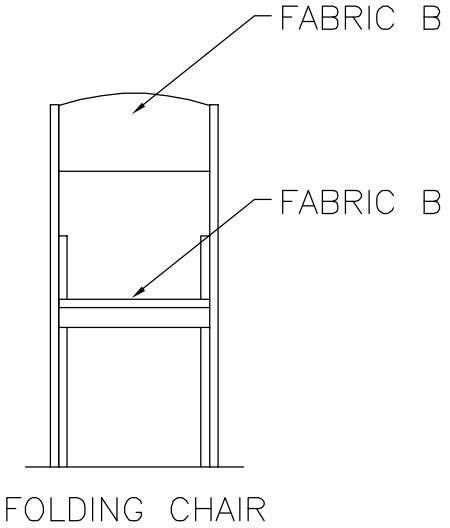
FABRIC LETTER	DECOR' NUMBER	DESCRIPTION
FABRIC "A"	DS20-290 "A"	STUCCO 708-36422 TALLOW
FABRIC "B"	DS20-290 "A"	STUCCO 708-36422 TALLOW

FOLDING CHAIR

FABRIC LETTER	DECOR' NUMBER	DESCRIPTION
FABRIC "B"	DS20-290 "A"	STUCCO 708-36422 TALLOW



DINETTE CHAIR



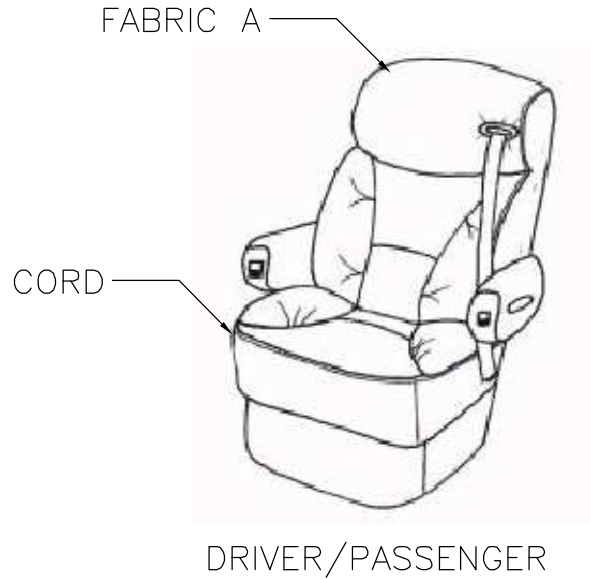
FOLDING CHAIR

UNIT: # 608418
 DEALER: Independence RV
 SPECIAL: # 465

NOTE: GENERAL VISUAL REPRESENTATION OF INTERIOR COMPONENTS. NOT FOR DIMENSIONAL USE.

NEWMAR CORP P.O. Box 30, Nappanee, IN. 46550	Model: DS DP 4081	Sheet 1 OF 1	Drawn by: R. N.	Checked by: Z. R.	Revision:	By:
	Title: FABRIC CALL OUTS DINETTES W/CHAIRS	I.D. # 2020\ SPECIALS\MOT\ 465FAB	Date: 7/30/19	Date: 7/31/19	Revision:	By:
UNITS: INCHES						Date:
TITLE BLOCK: 1-5TB						Date:

FABRIC LETTER	DECOR' NUMBER	DESCRIPTION
FABRIC "A"	DS20-290 "A"	STUCCO 708-36422 TALLOW
D/P SEAT CORD	DS20-290 "CORD"	TOSCANA 701-35132 OSC



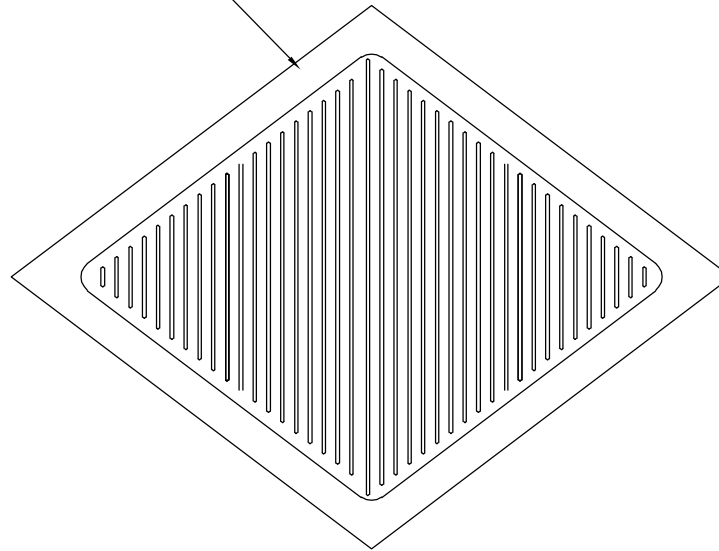
UNIT: # 608418
 DEALER: Independence RV
 SPECIAL: # 465

NOTE: GENERAL VISUAL REPRESENTATION OF INTERIOR COMPONENTS. NOT FOR DIMENSIONAL USE.

NEWMAR CORP P.O. Box 30, Nappanee, IN. 46550	Model:	Sheet	Drawn by:	Checked by:	Revision:	By:
	DS DP 4081	1 OF 1	R. N.	Z. R.		Date:
UNITS: INCHES	Title: FABRIC CALL OUTS	I.D. # 2020\	Date:	Date:	Revision:	By:
TITLE BLOCK: 1-5TB	DRIVER/PASSENGER SEATS	SPECIALS\MOT\ 465FAB	7/30/19	7/31/19		Date:

FABRIC LETTER	DECOR' NUMBER	DESCRIPTION
FABRIC "A"	DS20-290 "A"	STUCCO 708-36422 TALLOW

FABRIC A



LIVINGROOM/BEDROOM CEILING

UNIT: # 608418
 DEALER: Independence RV
 SPECIAL: # 465

NOTE: GENERAL VISUAL REPRESENTATION OF INTERIOR COMPONENTS. NOT FOR DIMENSIONAL USE.

7

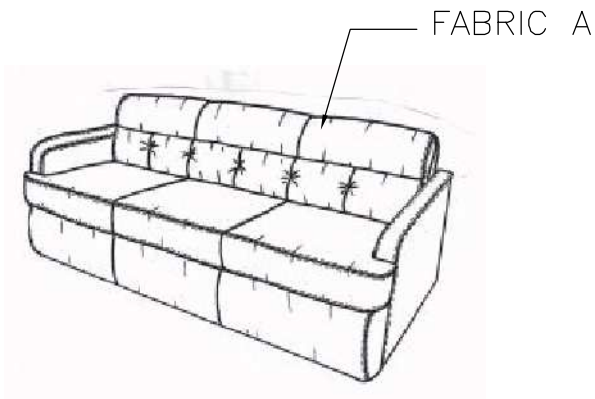
NEWMAR CORP P.O. Box 30, Nappanee, IN. 46550	Model:	Sheet	Drawn by:	Checked by:	Revision:	By:
	DS DP 4081	1 OF 1	R. N.	Z. R.		Date:
UNITS: INCHES	Title: FABRIC CALL OUTS HEADBOARD	I.D. # 2020\ SPECIALS\MOT\ 465FAB	Date:	Date:	Revision:	By:
TITLE BLOCK: 1-5TB			7/30/19	7/31/19		Date:

FABRIC LETTER	DECOR' NUMBER	DESCRIPTION
FABRIC "A"	DS20-290 "A"	STUCCO 708-36422 TALLOW

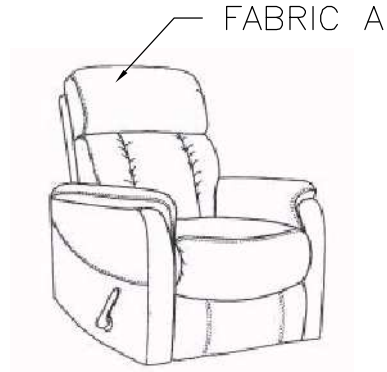
DS SOFA

RECLINERS

FABRIC LETTER	DECOR' NUMBER	DESCRIPTION
FABRIC "A"	DS20-290 "A"	STUCCO 708-36422 TALLOW



SOFA/FURNITURE



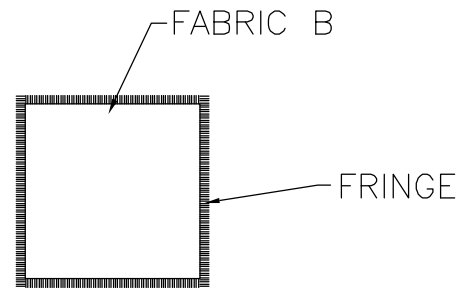
RECLINERS

UNIT: # 608418
 DEALER: Independence RV
 SPECIAL: # 465

NOTE: GENERAL VISUAL REPRESENTATION OF INTERIOR COMPONENTS. NOT FOR DIMENSIONAL USE.

NEWMAR CORP P.O. Box 30, Nappanee, IN. 46550	Model:	Sheet	Drawn by:	Checked by:	Revision:	By:
	DS DP 4081	1 OF 1	R. N.	Z. R.		Date:
UNITS: INCHES	Title: FABRIC CALL OUTS	I.D. # 2020\	Date:	Date:	Revision:	By:
TITLE BLOCK: 1-5TB	LIVINGROOM FURNITURE	SPECIALS\MOT\ 465FAB	7/30/19	7/31/19		Date:

FABRIC LETTER	DECOR NUMBER	DESCRIPTION
FABRIC "B"	DS20-290 "B"	EPHIPHANY NO. 2
FRINGE	DS20-290 "FRINGE"	FRB06623-01-A NATURAL



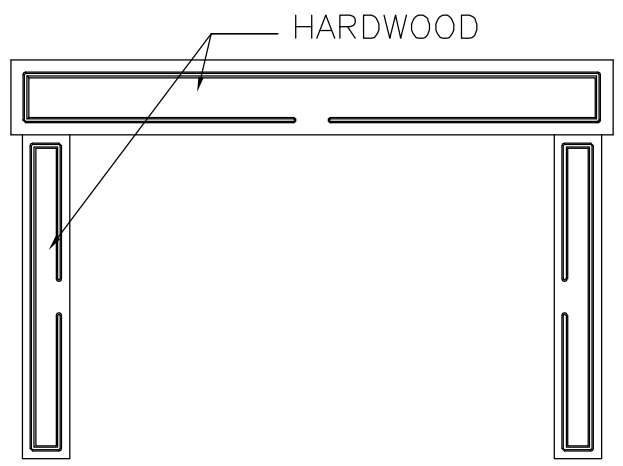
SOFA PILLOW

UNIT: # 608418
 DEALER: Independence RV
 SPECIAL: # 465

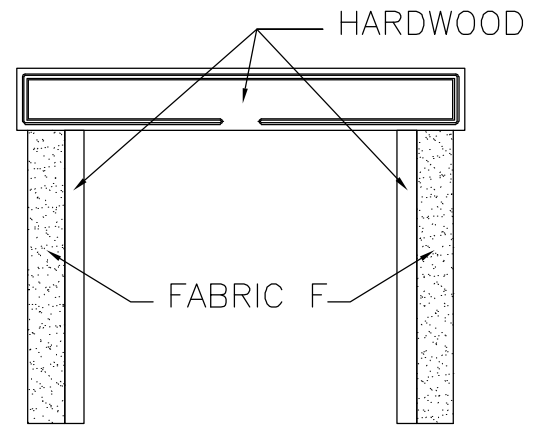
NOTE: GENERAL VISUAL REPRESENTATION OF INTERIOR COMPONENTS. NOT FOR DIMENSIONAL USE.

NEWMAR CORP P.O. Box 30, Nappanee, IN. 46550	Model:	Sheet	Drawn by:	Checked by:	Revision:	By:
	DS DP 4081	1 OF 1	R. N.	Z. R.		Date:
UNITS: INCHES	Title: FABRIC CALL OUTS SOFA PILLOWS	I.D. # 2020\ SPECIALS\MOT\ 465FAB	Date:	Date:	Revision:	By:
TITLE BLOCK: 1-5TB			7/30/19	7/31/19		Date:

FABRIC LETTER	DECOR' NUMBER	DESCRIPTION
FABRIC "F"	DS20-290 "F"	KIARA CAPPUCINO



LIVINGROOM/KITCHEN



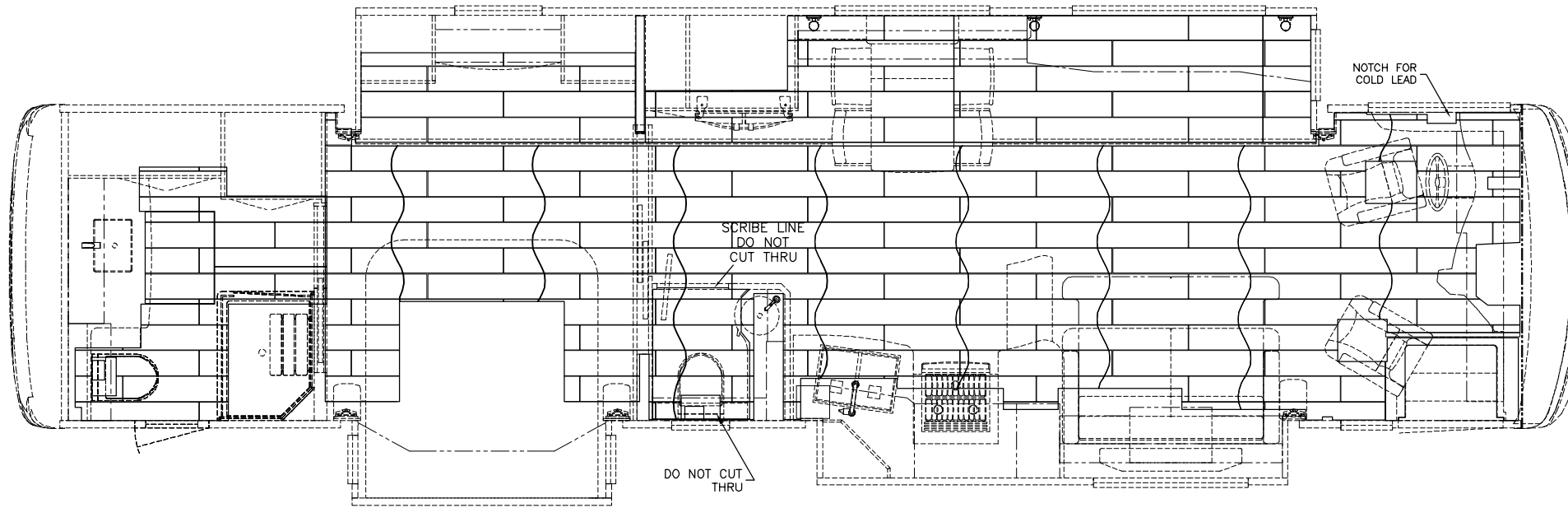
BEDROOM/BATHROOM

MAIN FABRIC — 

UNIT: # 608418
 DEALER: Independence RV
 SPECIAL: # 465

NOTE: GENERAL VISUAL REPRESENTATION OF INTERIOR COMPONENTS. NOT FOR DIMENSIONAL USE.

NEWMAR CORP P.O. Box 30, Nappanee, IN. 46550	Model:	Sheet	Drawn by:	Checked by:	Revision:	By:
	DS DP 4081	1 OF 1	R. N.	Z. R.		Date:
UNITS: INCHES	Title: FABRIC CALL OUTS VALANCES	I.D. # 2020\ SPECIALS\MOT\ 465FAB	Date:	Date:	Revision:	By:
TITLE BLOCK: 1-5TB			7/30/19	7/31/19		Date:



**2020 KG DB TILE
7 3/4 x 47**

PLEASE ACKNOWLEDGE AND DATE THE FOLLOWING ORDER/PRINT FOR APPROVAL TO BUILD, AND FAX TO NEWMAR (AT 574-773-2895) AS SOON AS POSSIBLE
 DATE: _____
 SIGN: _____

UNIT: # 608418
 DEALER: Independence RV
 SPECIAL: # 465

NEWMAR CORP P.O. Box 30, Nappanee, IN. 46550 UNITS: INCHES TITLE BLOCK: 3125TB	Model: DS DP 4081	(K643)	Sheet 1 OF 1	Drawn by: R. N.	Checked by: Z. R.	Revision:	By:
	Title: TILE LAYOUT	I.D. # 2020\ SPECIALS\MOT\ 465TILE	Date: 10/22/19	Date: 10/23/19	Revision:	By:	Date: