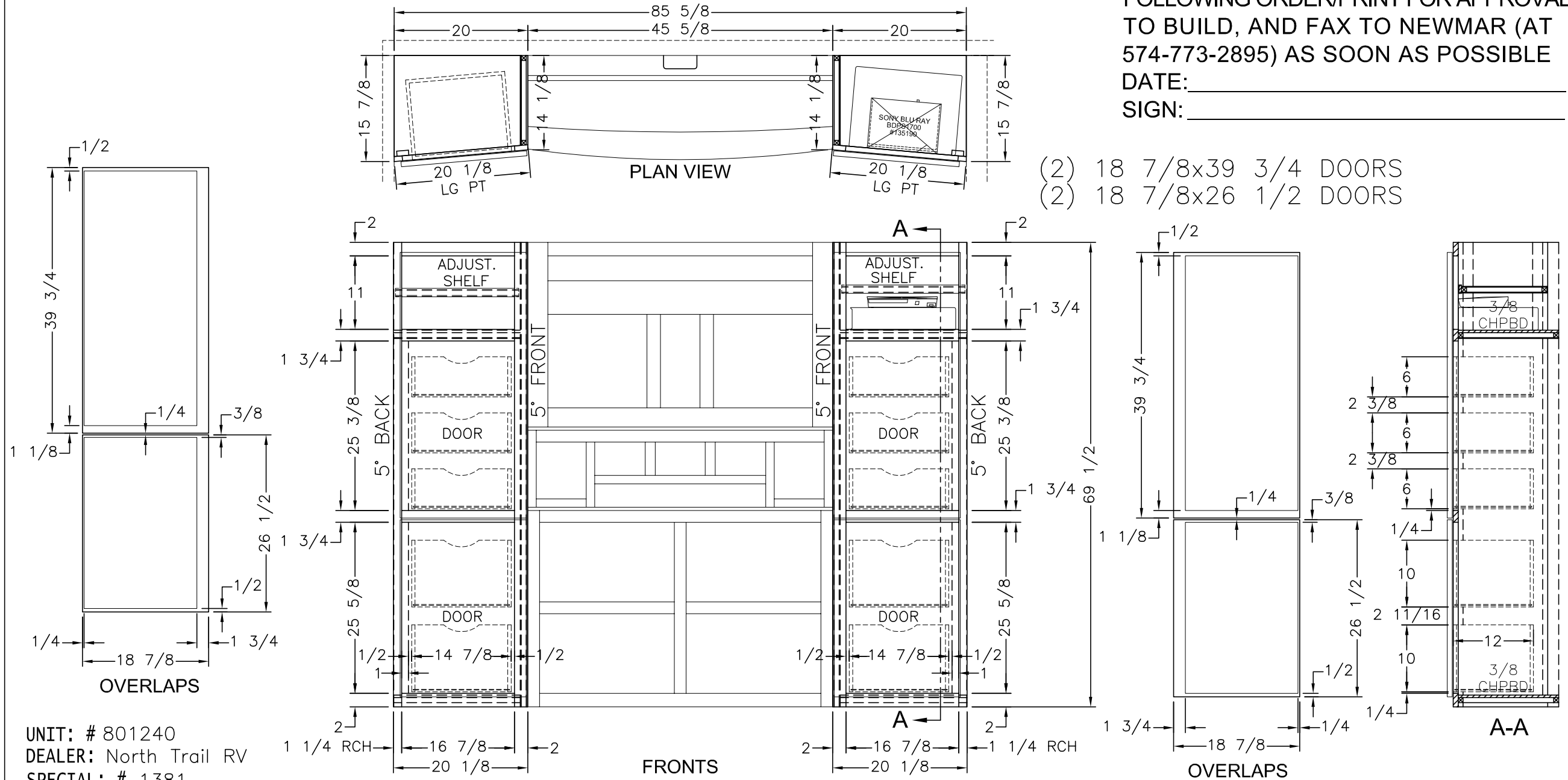


ITEM #	QTY	NEWMAR #	DESCRIPTION
1	1	135190	SONY BLU RAY (BDPS1700)

PLEASE ACKNOWLEDGE AND DATE THE FOLLOWING ORDER/PRINT FOR APPROVAL TO BUILD, AND FAX TO NEWMAR (AT 574-773-2895) AS SOON AS POSSIBLE
 DATE: _____
 SIGN: _____



- (2) 18 7/8x39 3/4 DOORS
- (2) 18 7/8x26 1/2 DOORS

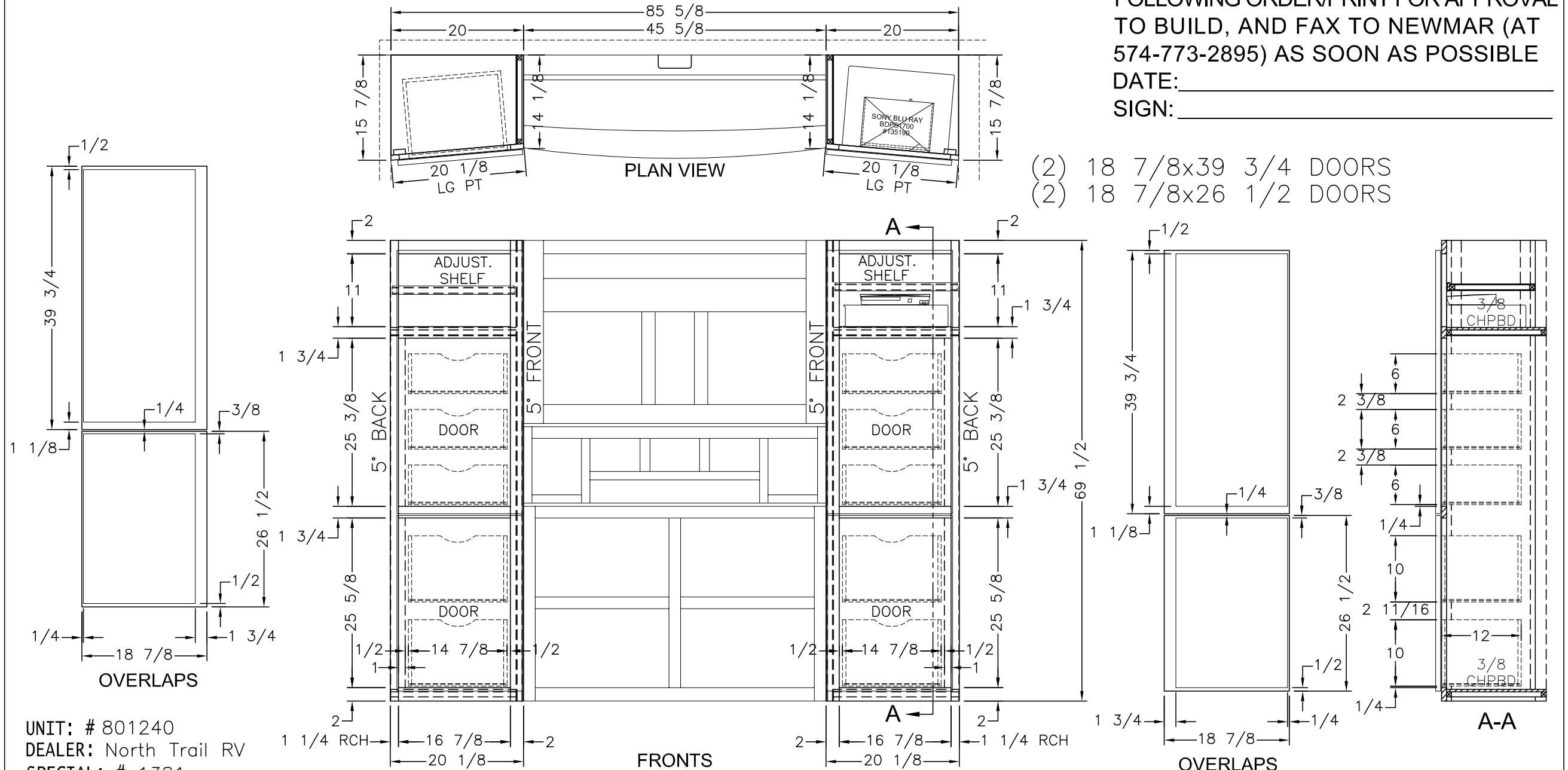
UNIT: # 801240
 DEALER: North Trail RV
 SPECIAL: # 1381

SIDE CABINETS

NEWMAR CORP P.O. Box 30, Nappanee, IN. 46550 UNITS: INCHES TITLE BLOCK: 1TB	Model: EX DP 4519	Sheet: 1 OF 4	Drawn by: Z. R.	Checked by: A. M.	Revision:	By:
	Title: DRESSER CENTER SIDE CABINETS	I.D. # 2017\SPECIALS\MOT\1381BR_DR	Date: 1/11/17	Date: 1/12/17	Revision:	Date:
						Date:

ITEM #	QTY	NEWMAR #	DESCRIPTION
1	1	135190	SONY BLU RAY (BDPS1700)

PLEASE ACKNOWLEDGE AND DATE THE FOLLOWING ORDER/PRINT FOR APPROVAL TO BUILD, AND FAX TO NEWMAR (AT 574-773-2895) AS SOON AS POSSIBLE
 DATE: _____
 SIGN: _____



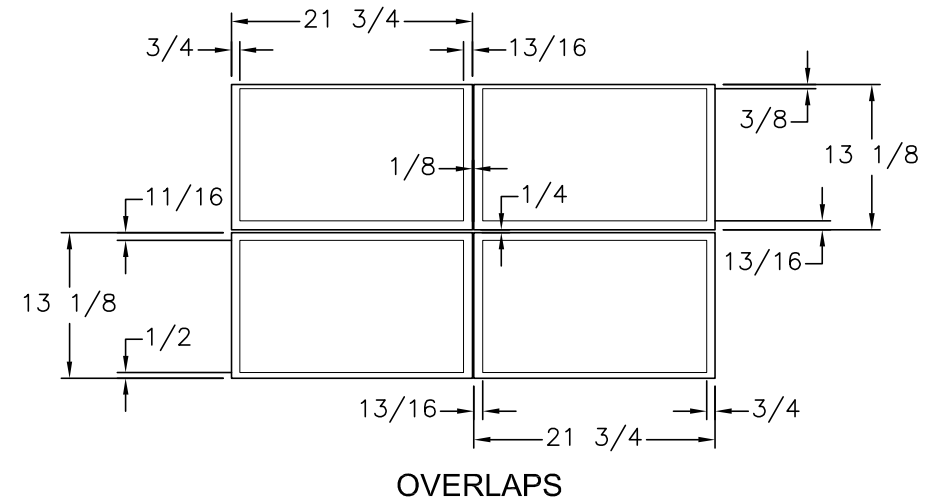
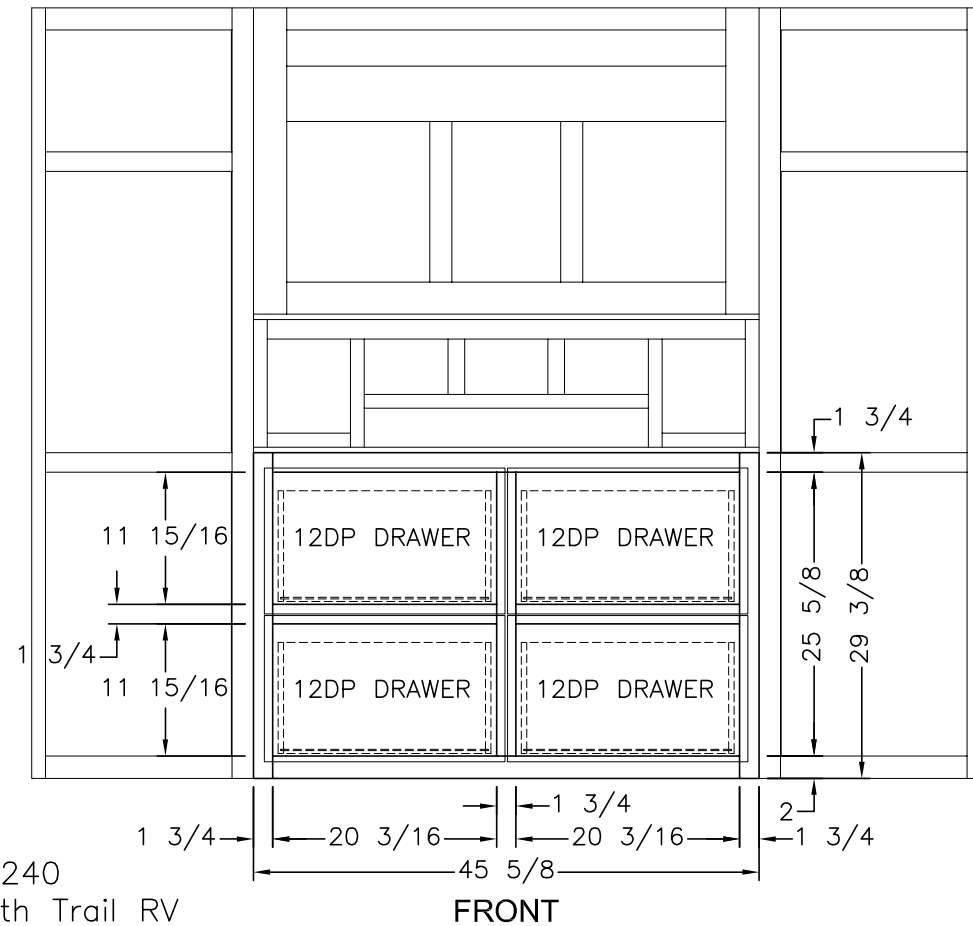
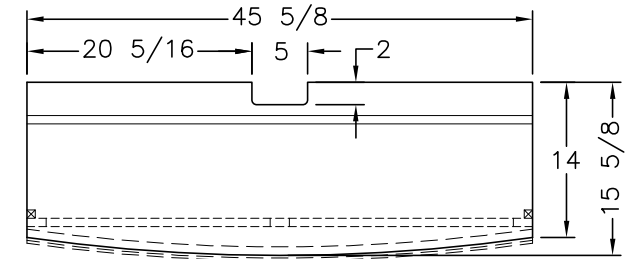
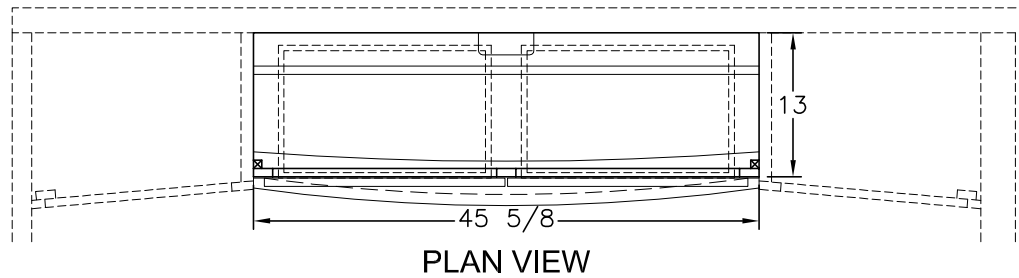
- (2) 18 7/8x39 3/4 DOORS
- (2) 18 7/8x26 1/2 DOORS

UNIT: # 801240
 DEALER: North Trail RV
 SPECIAL: # 1381

SIDE CABINETS

NEWMAR CORP P.O. Box 30, Nappanee, IN. 46550 UNITS: INCHES TITLE BLOCK: 1TB	Model: EX DP 4519	Sheet: 1 OF 4	Drawn by: Z. R.	Checked by: A. M.	Revision:	By:
	Title: DRESSER CENTER SIDE CABINETS	I.D. # 2017\ SPECIALS\MOT\ 1381BR_DR	Date: 1/11/17	Date: 1/12/17	Revision:	Date:
						By:

(4) 13 1/8x21 3/4 DRAWER FRONTS



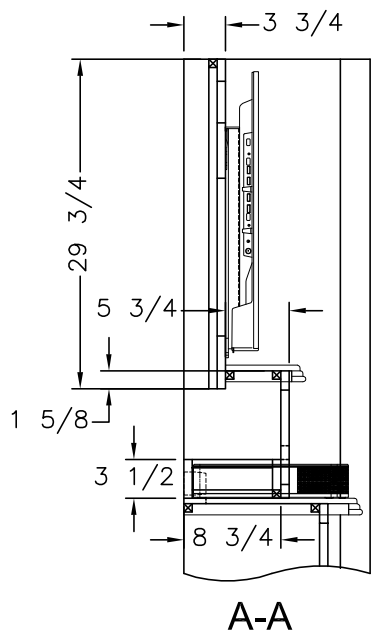
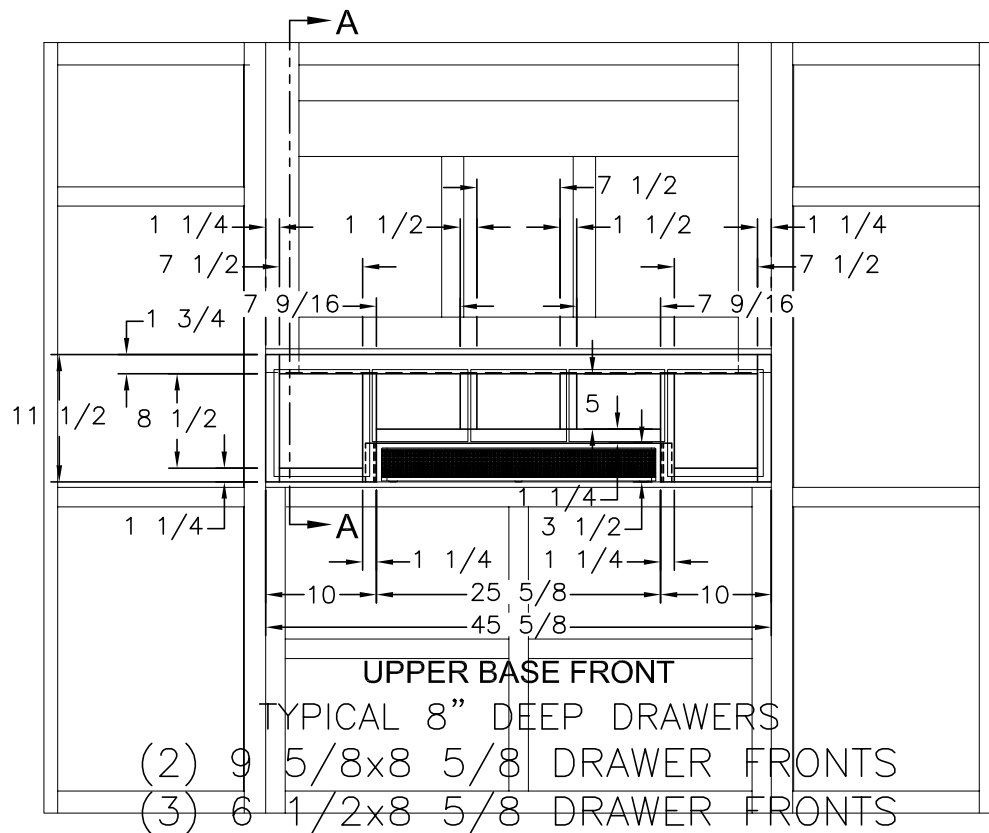
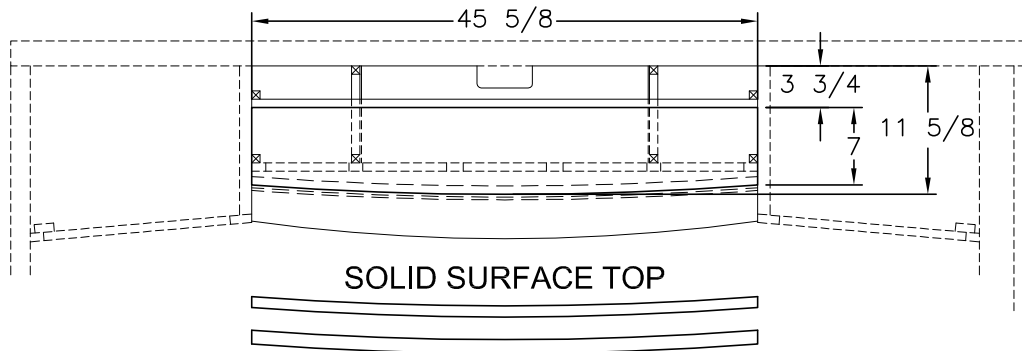
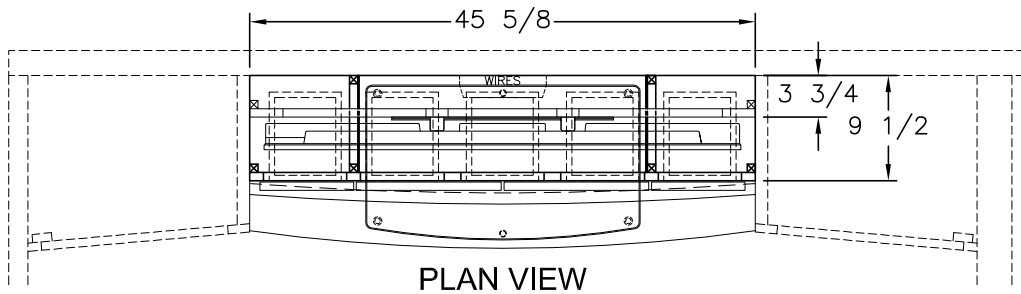
PLEASE ACKNOWLEDGE AND DATE THE FOLLOWING ORDER/PRINT FOR APPROVAL TO BUILD, AND FAX TO NEWMAR (AT 574-773-2895) AS SOON AS POSSIBLE
 DATE: _____
 SIGN: _____

UNIT: # 801240
 DEALER: North Trail RV
 SPECIAL: # 1381

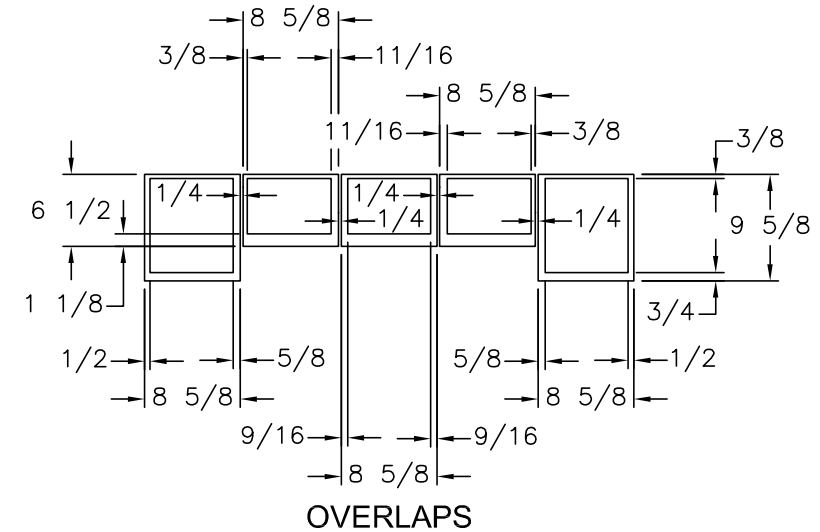
LOWER BASE

NEWMAR CORP P.O. Box 30, Nappanee, IN. 46550 UNITS: INCHES TITLE BLOCK: 1TB	Model: EX DP 4519	Sheet: 2 OF 4	Drawn by: Z. R.	Checked by: A. M.	Revision:	By:
	Title: DRESSER CENTER LOWER BASE	I.D. # 2017\ SPECIALS\MOT\ 1381BR_DR	Date: 1/11/17	Date: 1/12/17	Revision:	Date:

ITEM #	QTY	NEWMAR #	DESCRIPTION
1	1	134443	BOSE SOLO SPEAKER



NOTE: 1/4" SHIMS REQ'D AT TV/BRKT ATTACHMENT POINTS



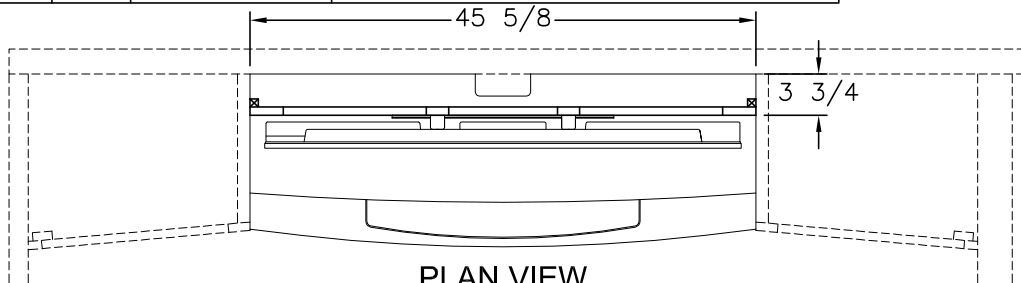
PLEASE ACKNOWLEDGE AND DATE THE FOLLOWING ORDER/PRINT FOR APPROVAL TO BUILD, AND FAX TO NEWMAR (AT 574-773-2895) AS SOON AS POSSIBLE
DATE: _____
SIGN: _____

UNIT: # 801240
DEALER: North Trail RV
SPECIAL: # 1381

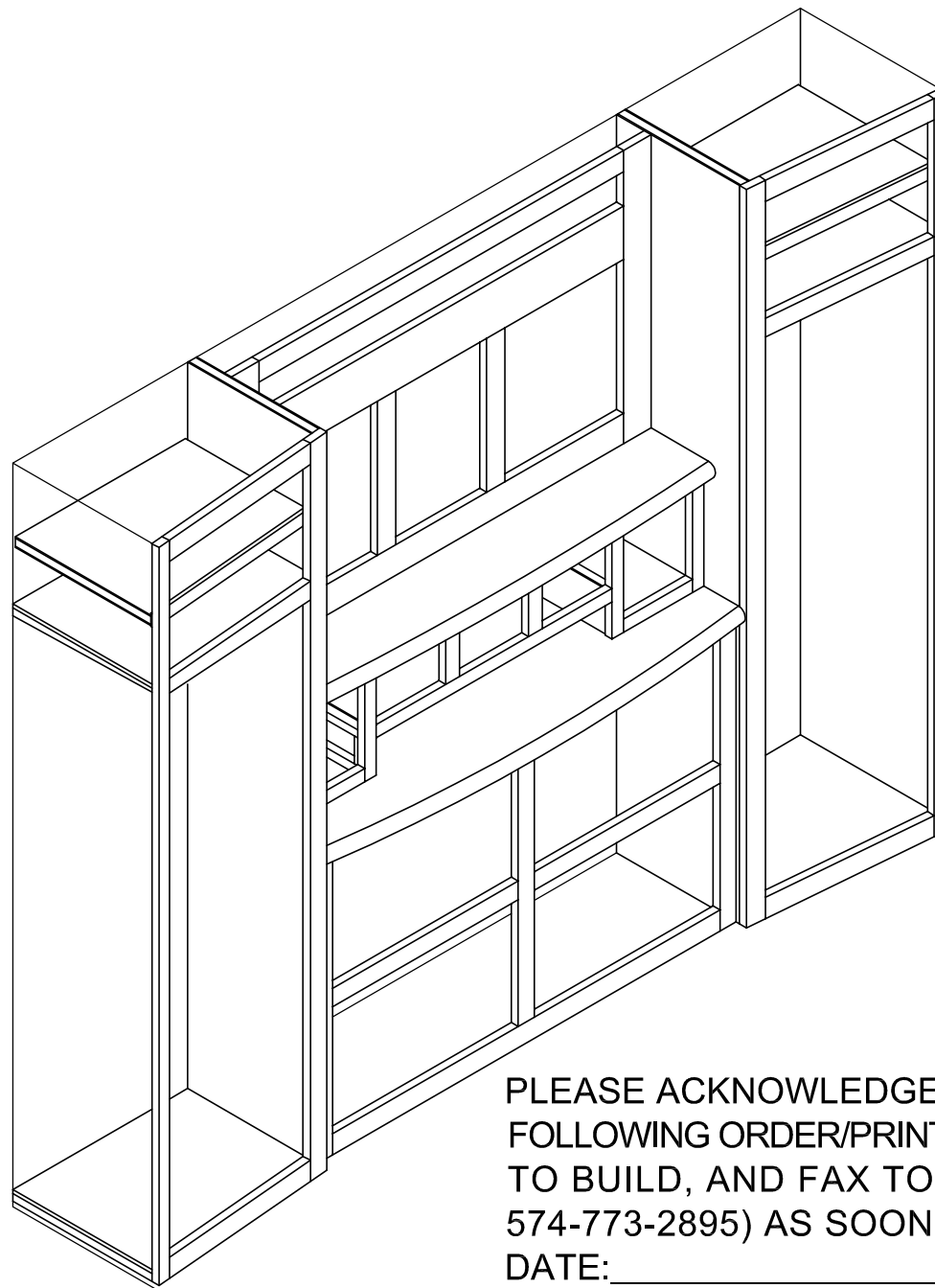
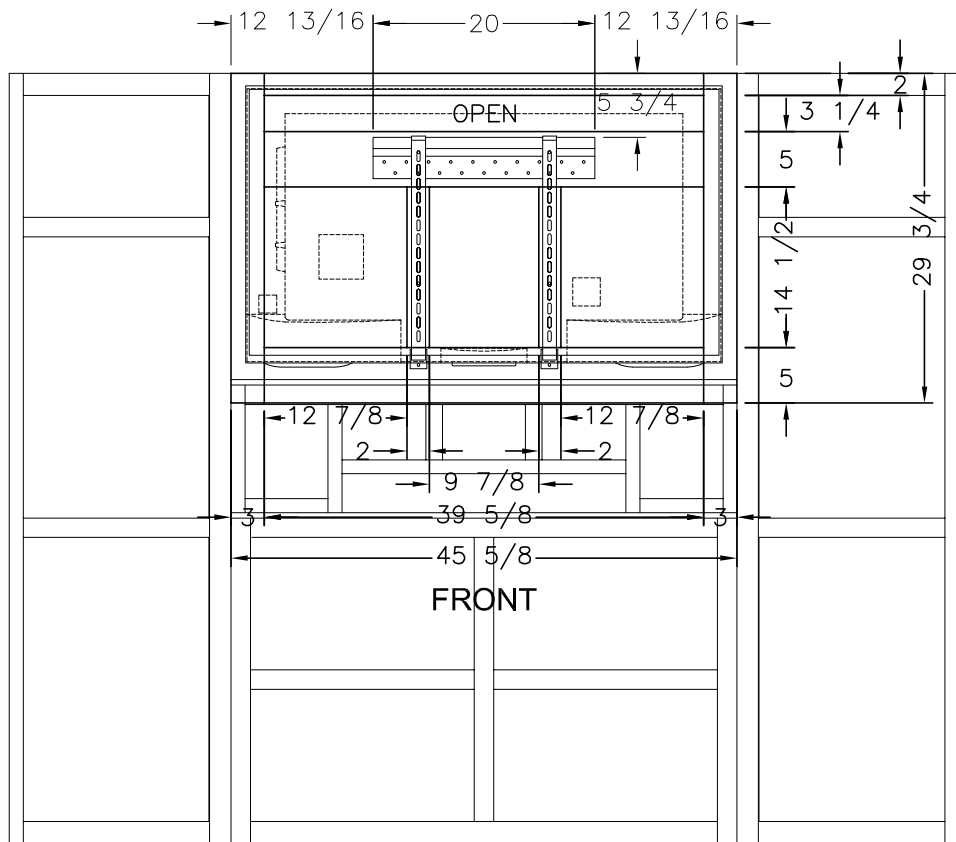
UPPER BASE

NEWMAR CORP P.O. Box 30, Nappanee, IN. 46550 UNITS: INCHES TITLE BLOCK: 1TB	Model:	Sheet	Drawn by:	Checked by:	Revision:	By:
	EX DP 4519	3 OF 4	Z. R.	A. M.		Date:
	Title: DRESSER CENTER UPPER BASE	I.D. # 2017\ SPECIALS\MOT\ 1381BR_DR	Date: 1/11/17	Date: 1/12/17	Revision:	By:
						Date:

ITEM #	QTY	NEWMAR #	DESCRIPTION
1	1	136728	SONY ULTRA HD TV (XBR-49X800D)
2	1	135877	TV BRACKET



PLAN VIEW



PLEASE ACKNOWLEDGE AND DATE THE FOLLOWING ORDER/PRINT FOR APPROVAL TO BUILD, AND FAX TO NEWMAR (AT 574-773-2895) AS SOON AS POSSIBLE
 DATE: _____
 SIGN: _____

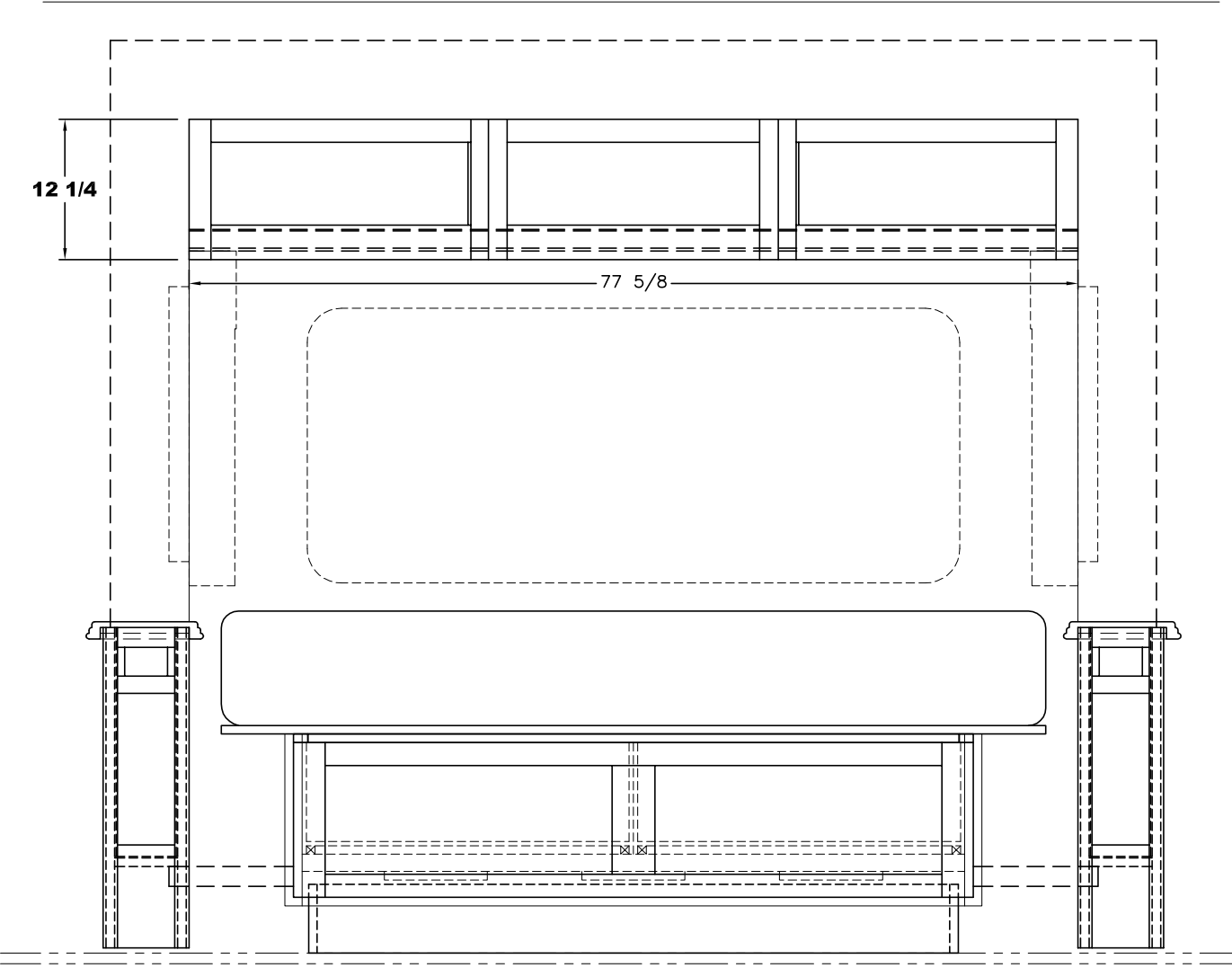
UNIT: # 801240
 DEALER: North Trail RV
 SPECIAL: # 1381

TV MOUNT/ISOMETRIC

NEWMAR CORP P.O. Box 30, Nappanee, IN. 46550 UNITS: INCHES TITLE BLOCK: 1TB	Model:	Sheet	Drawn by:	Checked by:	Revision:	By:
	EX DP 4519	4 OF 4	Z. R.	A. M.		Date:
	Title:	I.D. # 2017\	Date:	Date:	Revision:	By:
	DRESSER CENTER TV MOUNT/ISOMETRIC	SPECIALS\MOT\ 1381BR_DR	1/11/17	1/12/17		Date:

PLEASE ACKNOWLEDGE AND DATE THE FOLLOWING ORDER/PRINT FOR APPROVAL TO BUILD, AND FAX TO NEWMAR (AT 574-773-2895) AS SOON AS POSSIBLE

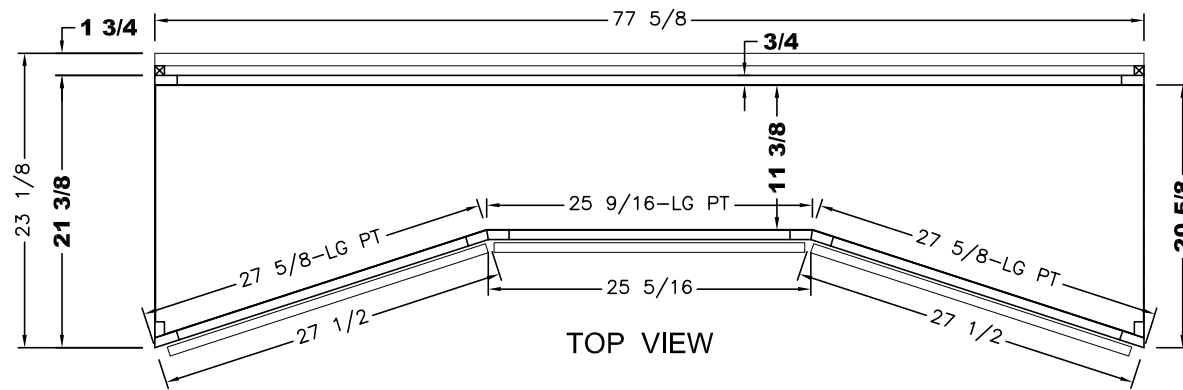
DATE: _____
SIGN: _____



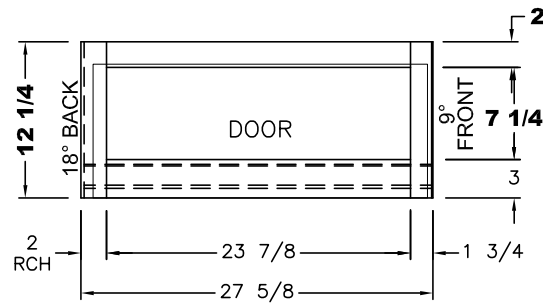
UNIT: # 801240
DEALER: North Trail RV
SPECIAL: # 1381

CABINETS

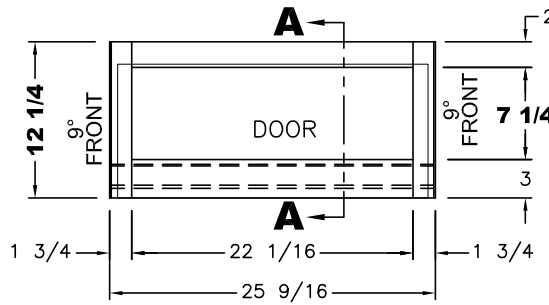
NEWMAR CORP P.O. Box 30, Nappanee, IN. 46550 Title block--75TB	Model:	Sheet	Drawn by:	Checked by:	Revision:	By:
	EX DP 4519	1 OF 2	Z. R.	A. M.		Date:
	Title:	I.D. # 2017\	Date:	Date:	Revision:	By:
	88 1/8 BR S-O CABINETS	SPECIALS\MOT\	1/11/17	1/12/17		Date:
		1381CH				



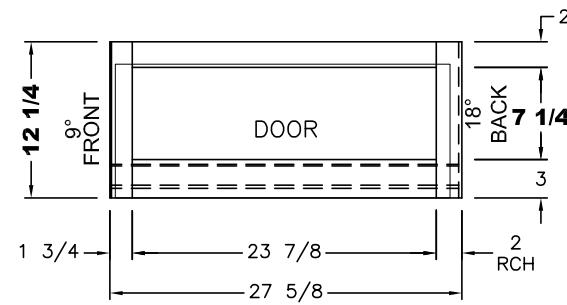
PLEASE ACKNOWLEDGE AND DATE THE FOLLOWING ORDER/PRINT FOR APPROVAL TO BUILD, AND FAX TO NEWMAR (AT 574-773-2895) AS SOON AS POSSIBLE
 DATE: _____
 SIGN: _____



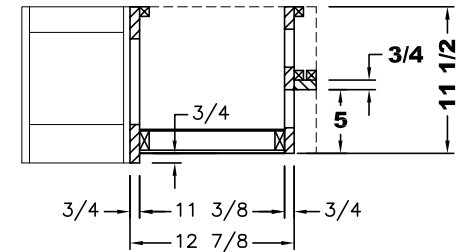
(1) 26 1/4 x 10 1/2 DOOR



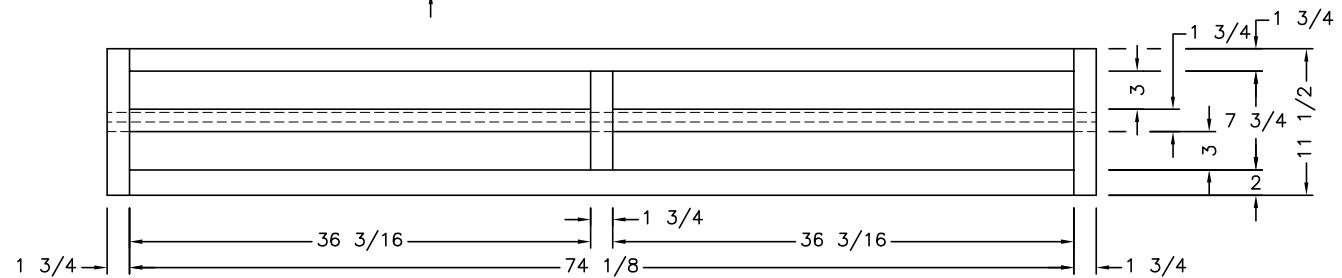
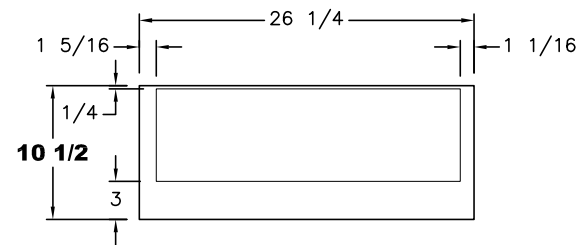
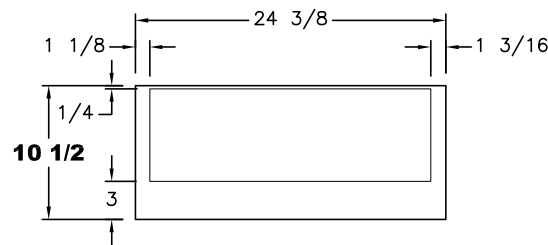
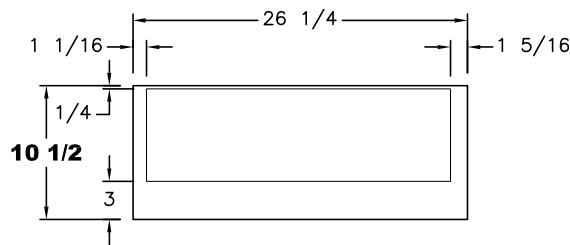
(1) 24 3/8 x 10 1/2 DOOR



(1) 26 1/4 x 10 1/2 DOOR



A-A



BACK (FRONT VIEW)

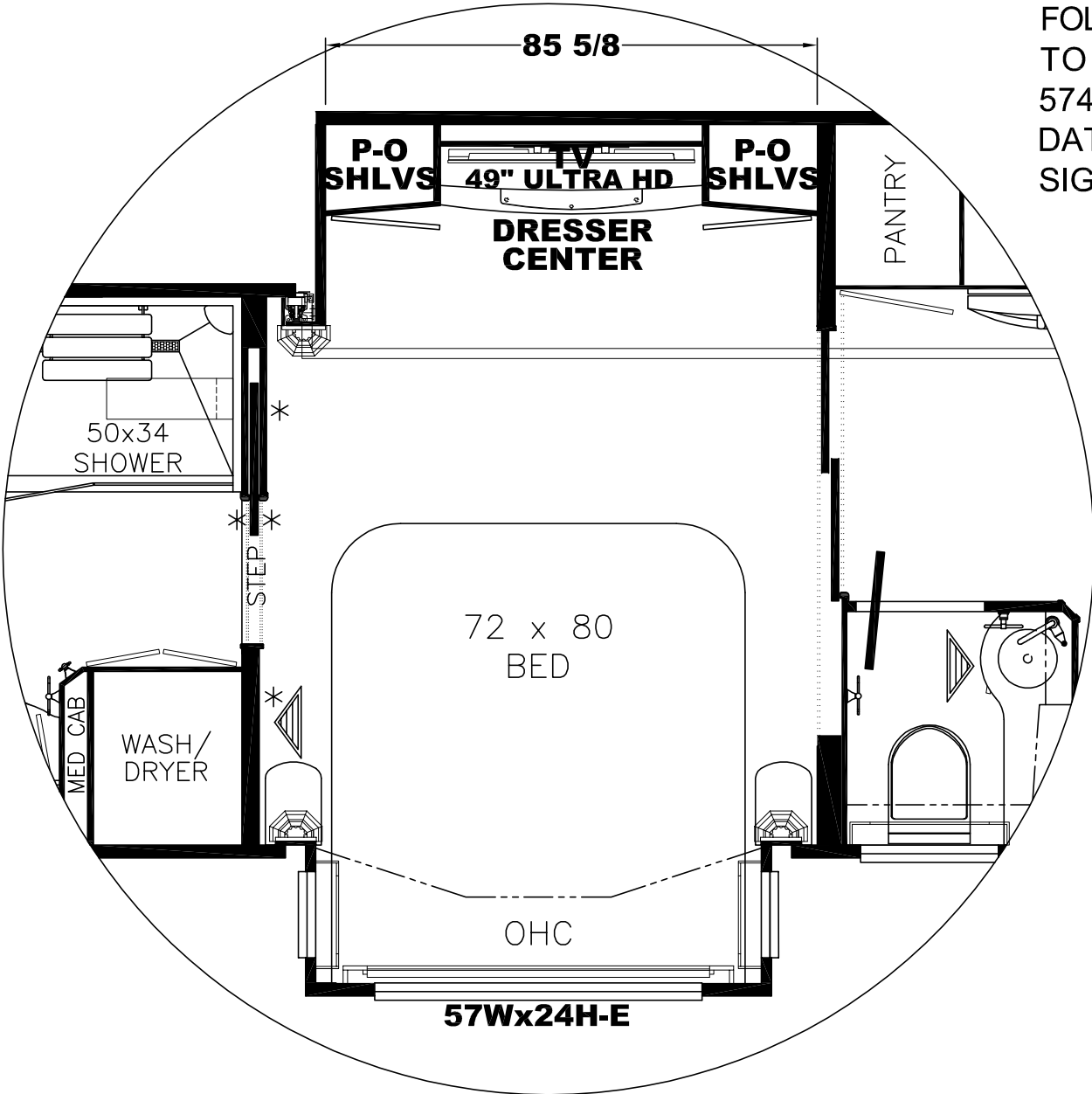
LEAVE ALL SECTIONS OPEN AND COVER WITH LOOSE PANEL FOR SHADE INSTALLATION

UNIT: # 801240
 DEALER: North Trail RV
 SPECIAL: # 1381

NEWMAR CORP P.O. Box 30, Nappanee, IN. 46550	Model: EX DP 4519	Sheet 2 OF 2	Drawn by: Z. R.	Checked by: A. M.	Revision:	By:
	Title: 88 1/8 BR S-O CABINETS	I.D. # 2017\ SPECIALS\MOT\ 1381CH	Date: 1/11/17	Date: 1/12/17	Revision:	Date:
Title block--75TB						By: Date:

PLEASE ACKNOWLEDGE AND DATE THE FOLLOWING ORDER/PRINT FOR APPROVAL TO BUILD, AND FAX TO NEWMAR (AT 574-773-2895) AS SOON AS POSSIBLE

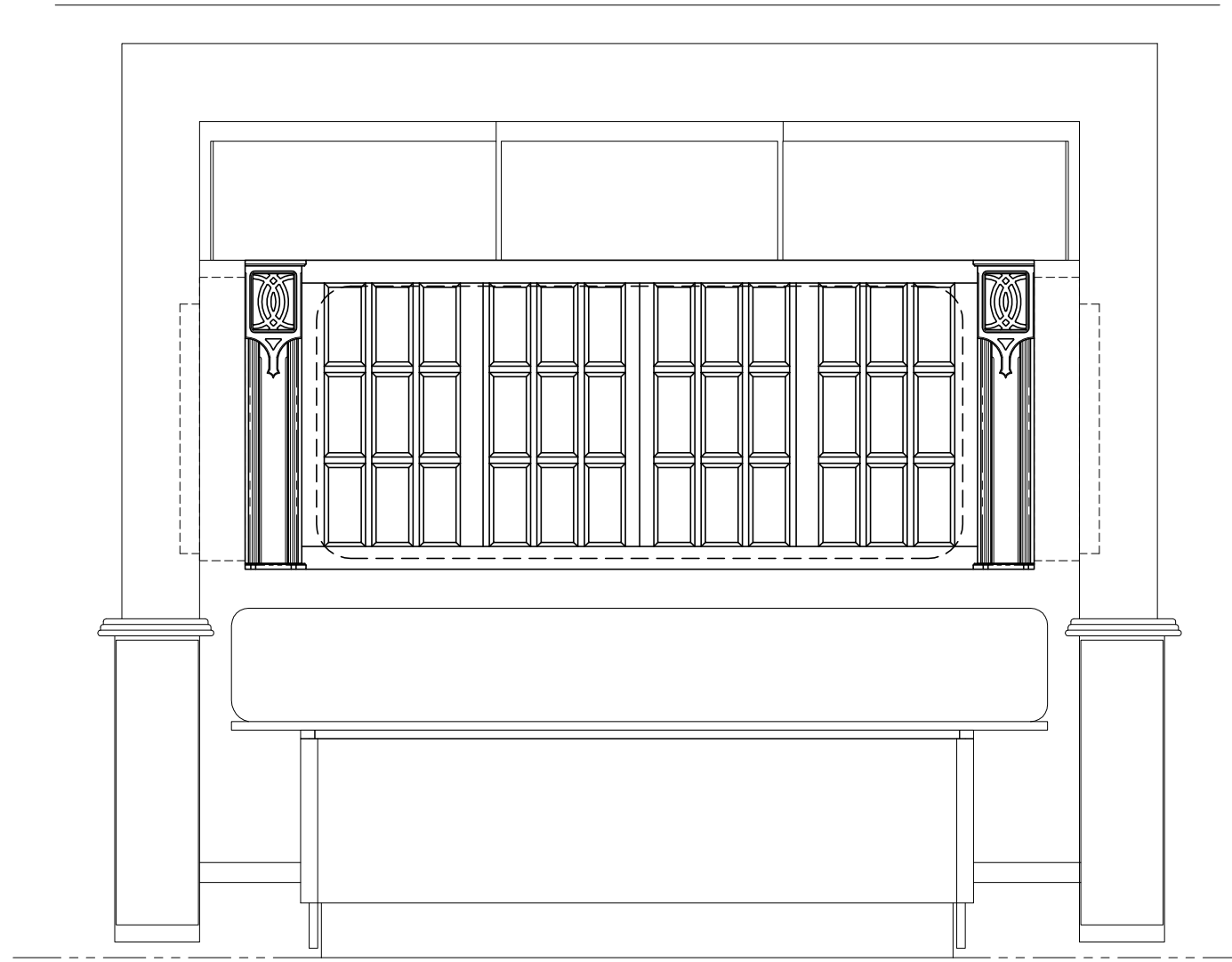
DATE: _____
SIGN: _____



UNIT: # 801240
DEALER: North Trail RV
SPECIAL: # 1381

NEWMAR CORP P.O. Box 30, Nappanee, IN. 46550 UNITS: INCHES TITLE BLOCK: 3125TB	Model:	Sheet	Drawn by:	Checked by:	Revision:	By:
	EX DP 4519	1 OF 1	Z. R.	A. M.		Date:
	Title:	I.D. # 2017\	Date:	Date:	Revision:	By:
	FLOOR PLAN	SPECIALS\MOT\ 1381FP	1/11/17	1/12/17		Date:

ITEM #	QTY	NEWMAR #	DESCRIPTION
1	1	SPECIAL	WINDOW BOX WITH SLIDING DOORS-CHERRY
2	1	SPECIAL	WINDOW BOX WITH SLIDING DOORS-MAPLE

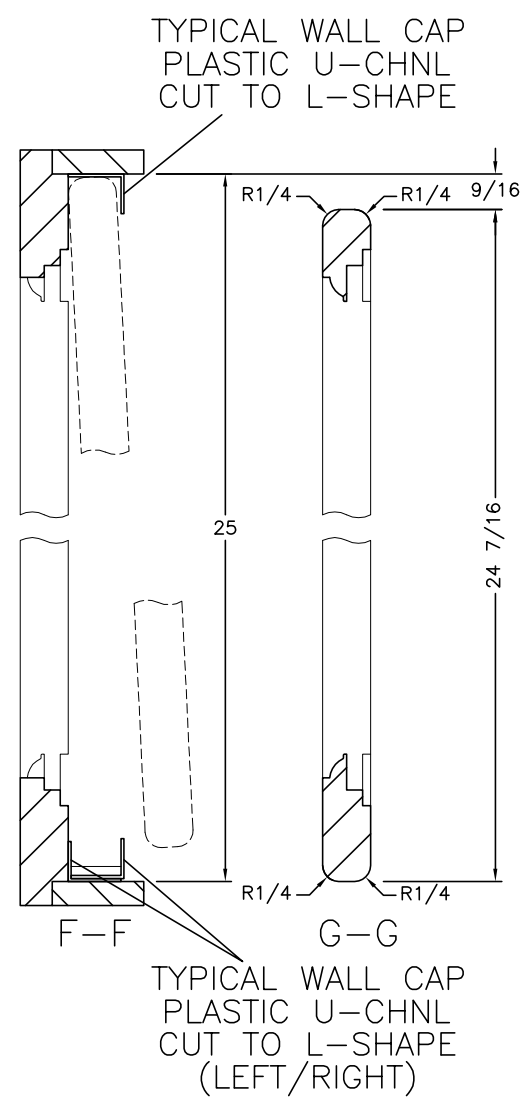
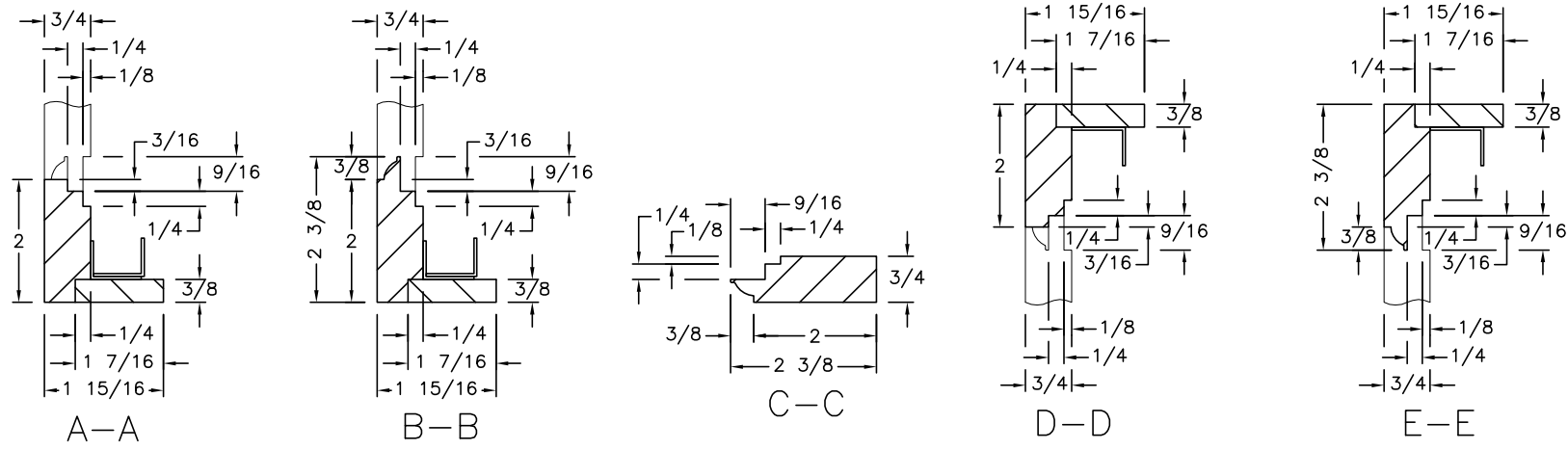
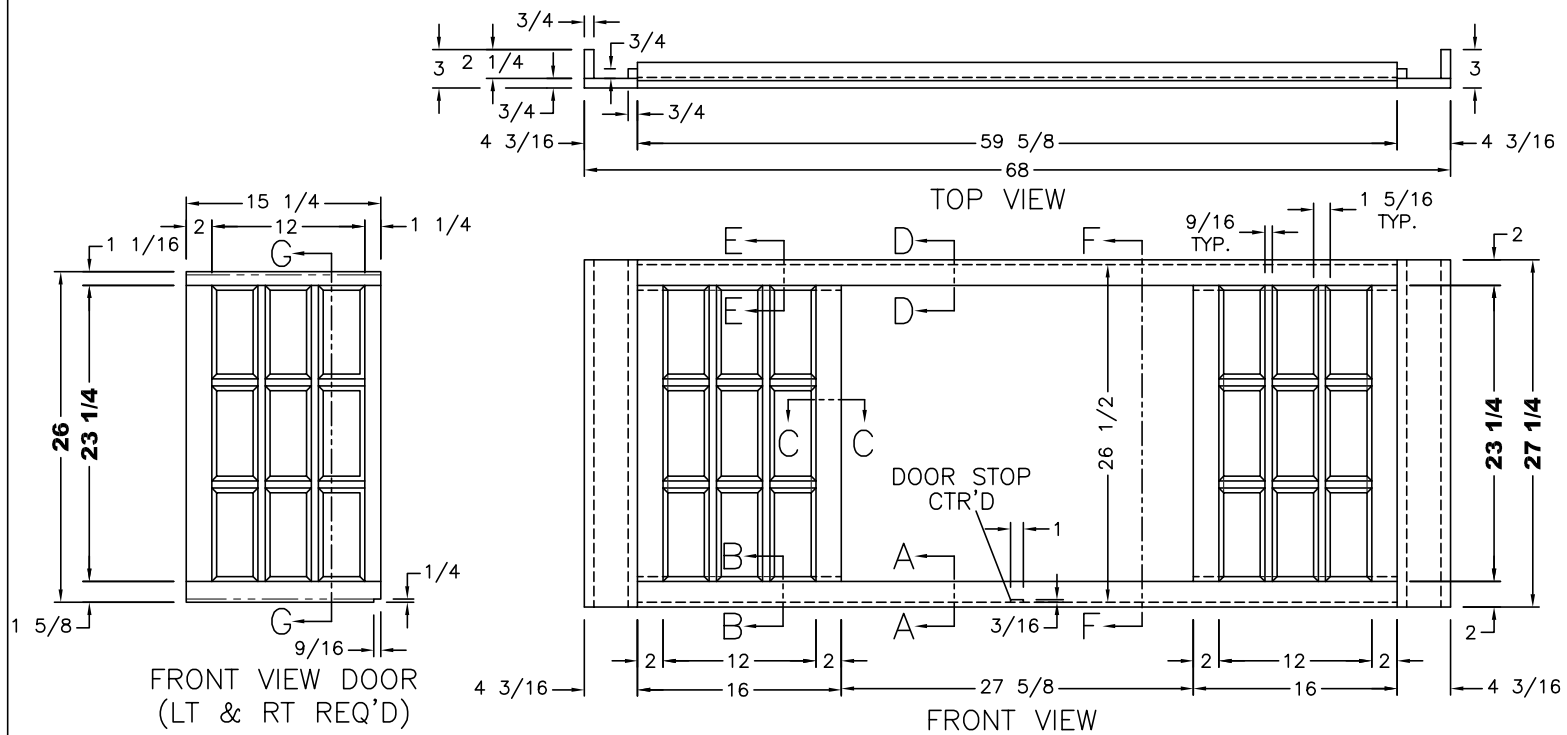


CABINETS

UNIT: # 801240
 DEALER: North Trail RV
 SPECIAL: # 1381

PLEASE ACKNOWLEDGE AND DATE THE FOLLOWING ORDER/PRINT FOR APPROVAL TO BUILD, AND FAX TO NEWMAR (AT 574-773-2895) AS SOON AS POSSIBLE
 DATE: _____
 SIGN: _____

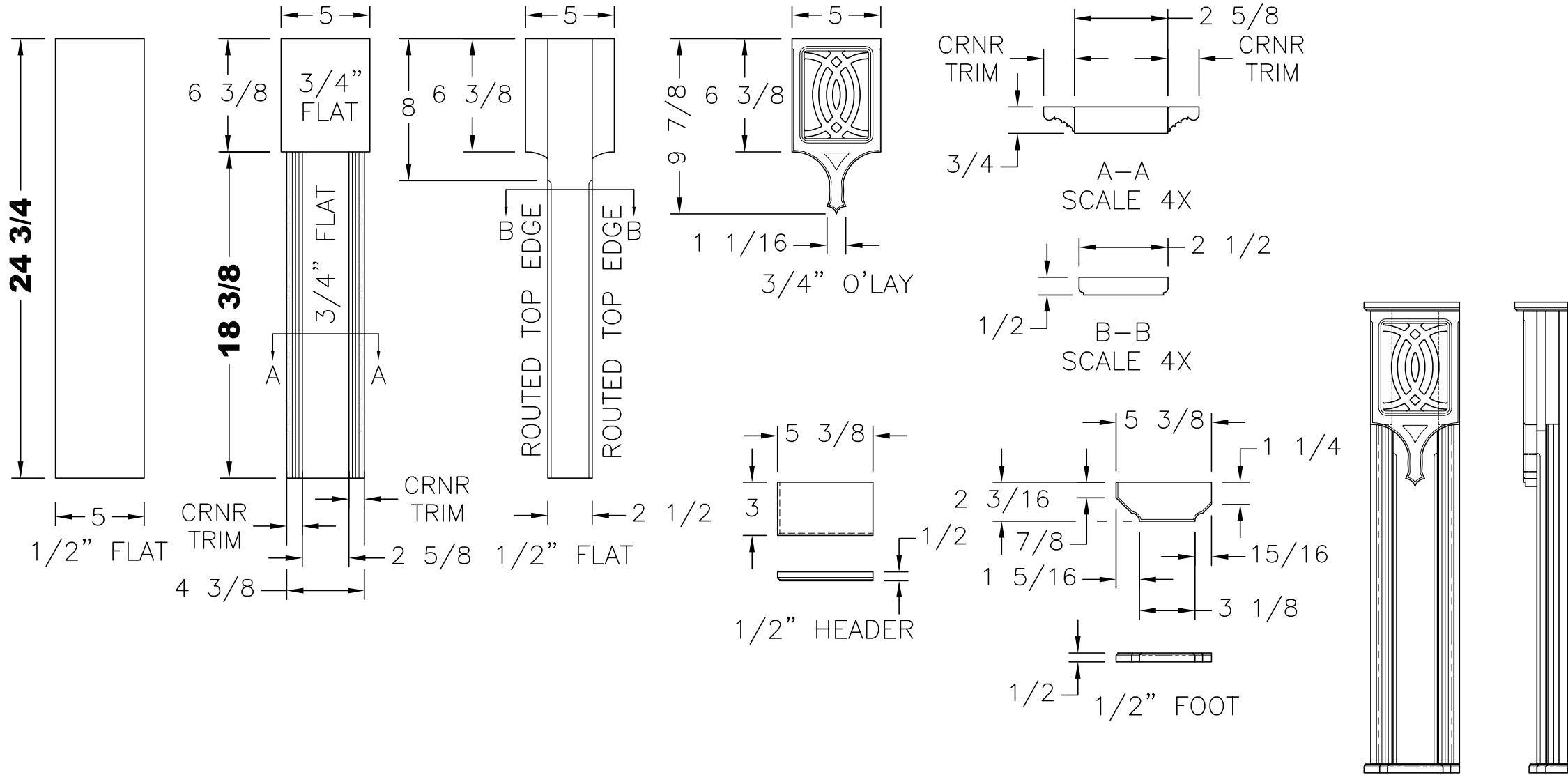
NEWMAR CORP P.O. Box 30, Nappanee, IN. 46550 Title block--75TB	Model: EX DP 4519	(T270)	Sheet 1 OF 3	Drawn by: Z. R.	Checked by: A. M.	Revision:	By:
	Title: WINDOW BOX W./ SLIDING COVER		I.D. # 2017\ SPECIALS\MOT\ 1381WIN_BOX	Date: 1/11/17	Date: 1/12/17	Revision:	Date:



PLEASE ACKNOWLEDGE AND DATE THE
 FOLLOWING ORDER/PRINT FOR APPROVAL
 TO BUILD, AND FAX TO NEWMAR (AT
 574-773-2895) AS SOON AS POSSIBLE
 DATE: _____
 SIGN: _____

UNIT: # 801240
 DEALER: North Trail RV
 SPECIAL: # 1381

NEWMAR CORP P.O. Box 30, Nappanee, IN. 46550 Title block--75TB	Model: (T270) EX DP 4519	Sheet 2 OF 3	Drawn by: Z. R.	Checked by: A. M.	Revision:	By:
	Title: WINDOW BOX W./ SLIDING COVER	I.D. # 2017\ SPECIALS\MOT\ 1381WIN_BOX	Date: 1/11/17	Date: 1/12/17	Revision:	By:



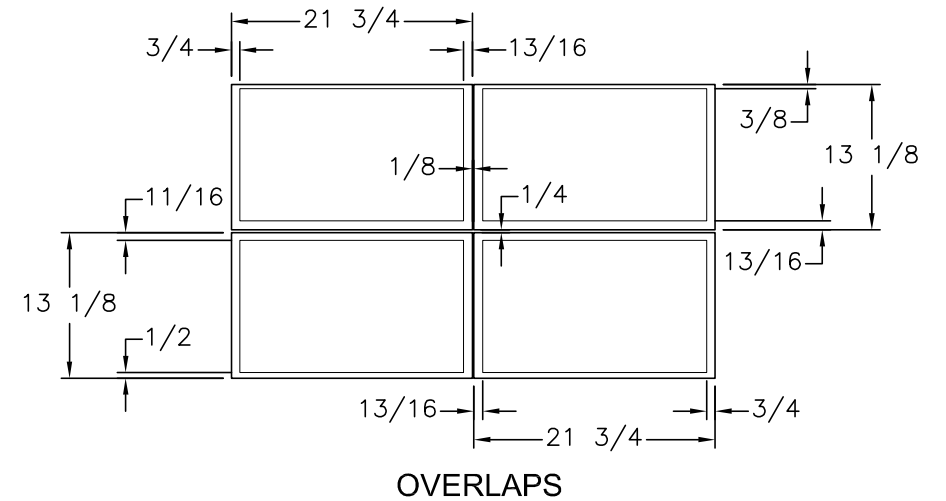
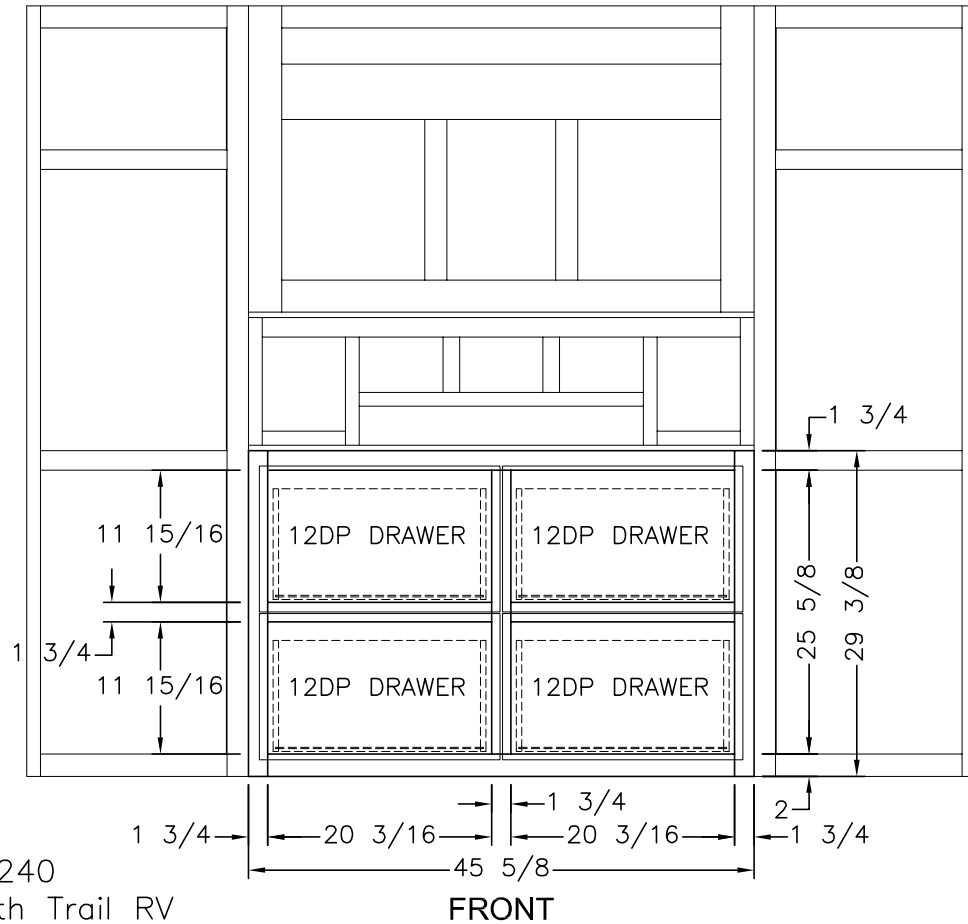
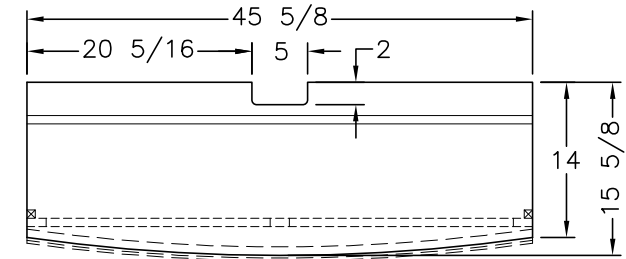
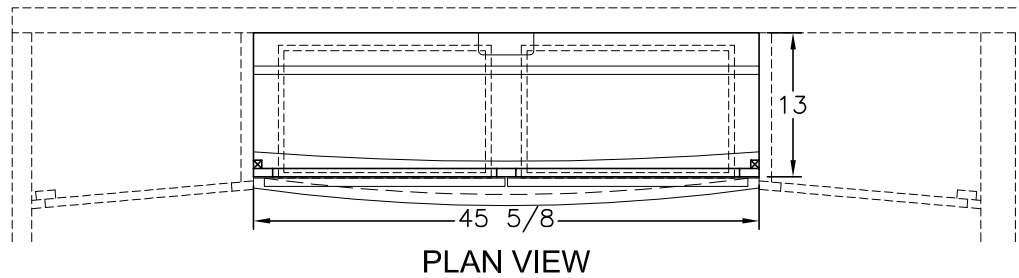
PLEASE ACKNOWLEDGE AND DATE THE FOLLOWING ORDER/PRINT FOR APPROVAL TO BUILD, AND FAX TO NEWMAR (AT 574-773-2895) AS SOON AS POSSIBLE
 DATE: _____
 SIGN: _____

SCALE 2X
LEFT/RIGHT REQUIRED

UNIT: # 801240
 DEALER: North Trail RV
 SPECIAL: # 1381

NEWMAR CORP P.O. Box 30, Nappanee, IN. 46550 Title block--75TB	Model: (T270) EX DP 4519	Sheet 3 OF 3	Drawn by: Z. R.	Checked by: A. M.	Revision:	By:
	Title: WINDOW BOX W./ SLIDING COVER	I.D. # 2017\ SPECIALS\MOT\ 1381WIN_BOX	Date: 1/11/17	Date: 1/12/17	Revision:	By:

(4) 13 1/8x21 3/4 DRAWER FRONTS



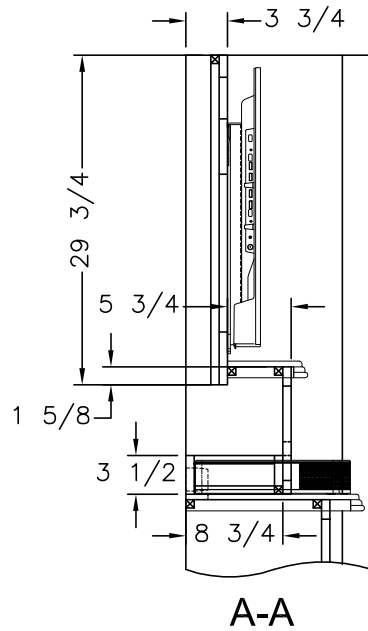
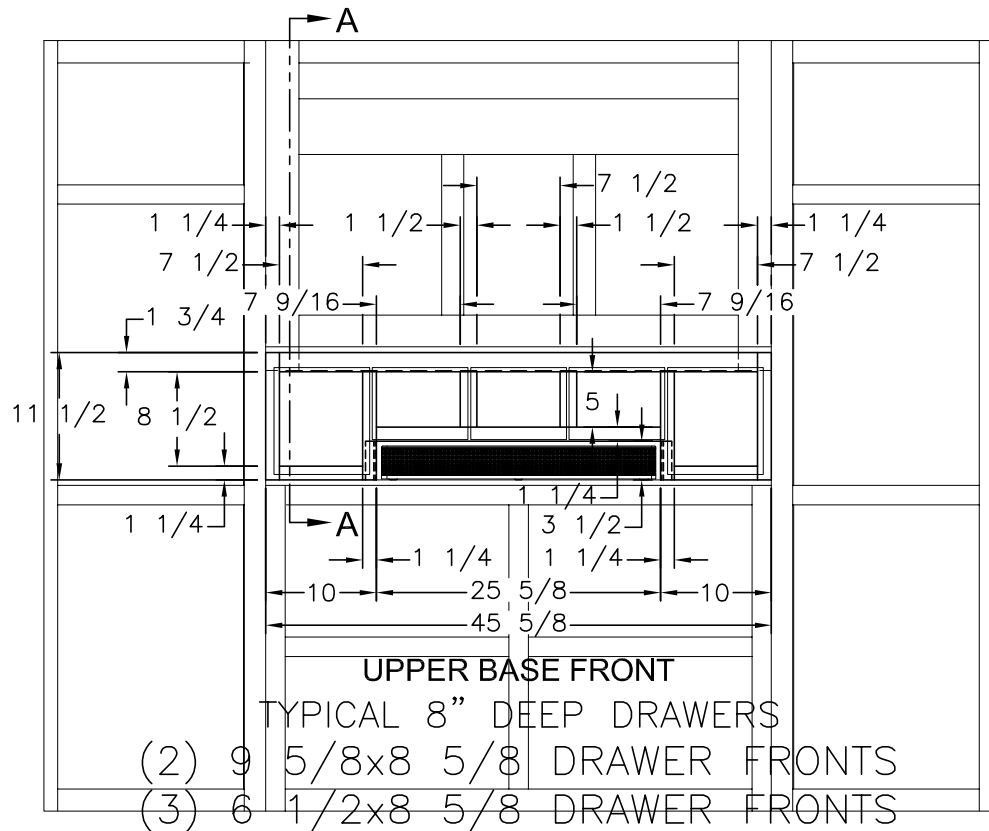
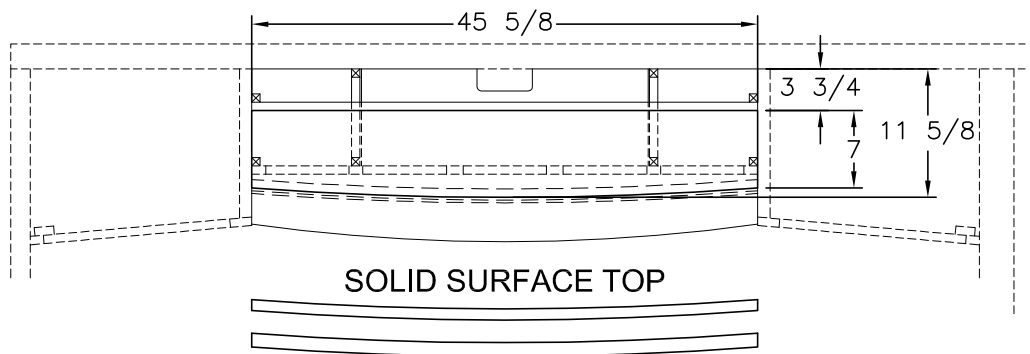
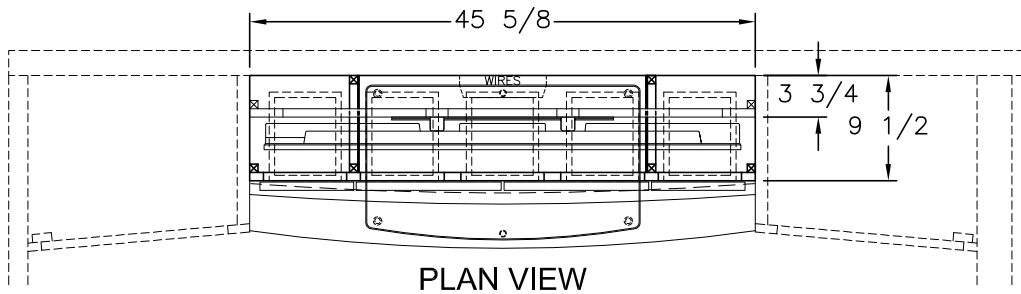
PLEASE ACKNOWLEDGE AND DATE THE FOLLOWING ORDER/PRINT FOR APPROVAL TO BUILD, AND FAX TO NEWMAR (AT 574-773-2895) AS SOON AS POSSIBLE
 DATE: _____
 SIGN: _____

UNIT: # 801240
 DEALER: North Trail RV
 SPECIAL: # 1381

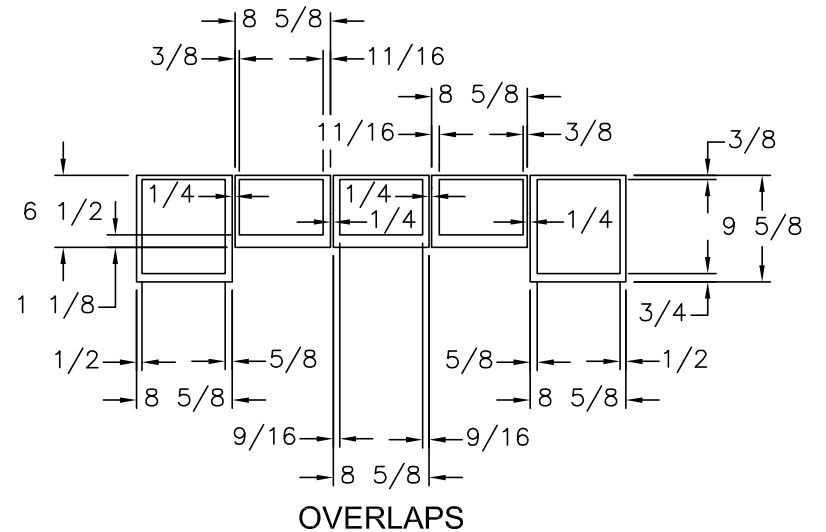
LOWER BASE

NEWMAR CORP P.O. Box 30, Nappanee, IN. 46550 UNITS: INCHES TITLE BLOCK: 1TB	Model: EX DP 4519	Sheet: 2 OF 4	Drawn by: Z. R.	Checked by: A. M.	Revision:	By:
	Title: DRESSER CENTER LOWER BASE	I.D. # 2017\ SPECIALS\MOT\ 1381BR_DR	Date: 1/11/17	Date: 1/12/17	Revision:	Date:
						By:

ITEM #	QTY	NEWMAR #	DESCRIPTION
1	1	134443	BOSE SOLO SPEAKER



NOTE: 1/4" SHIMS REQ'D AT TV/BRKT ATTACHMENT POINTS



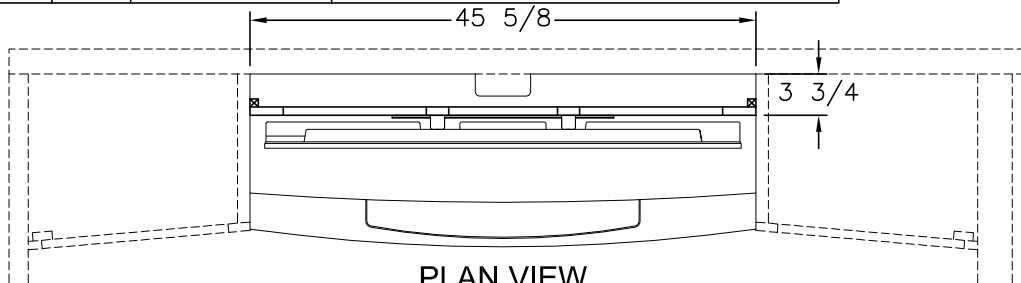
PLEASE ACKNOWLEDGE AND DATE THE FOLLOWING ORDER/PRINT FOR APPROVAL TO BUILD, AND FAX TO NEWMAR (AT 574-773-2895) AS SOON AS POSSIBLE
 DATE: _____
 SIGN: _____

UNIT: # 801240
 DEALER: North Trail RV
 SPECIAL: # 1381

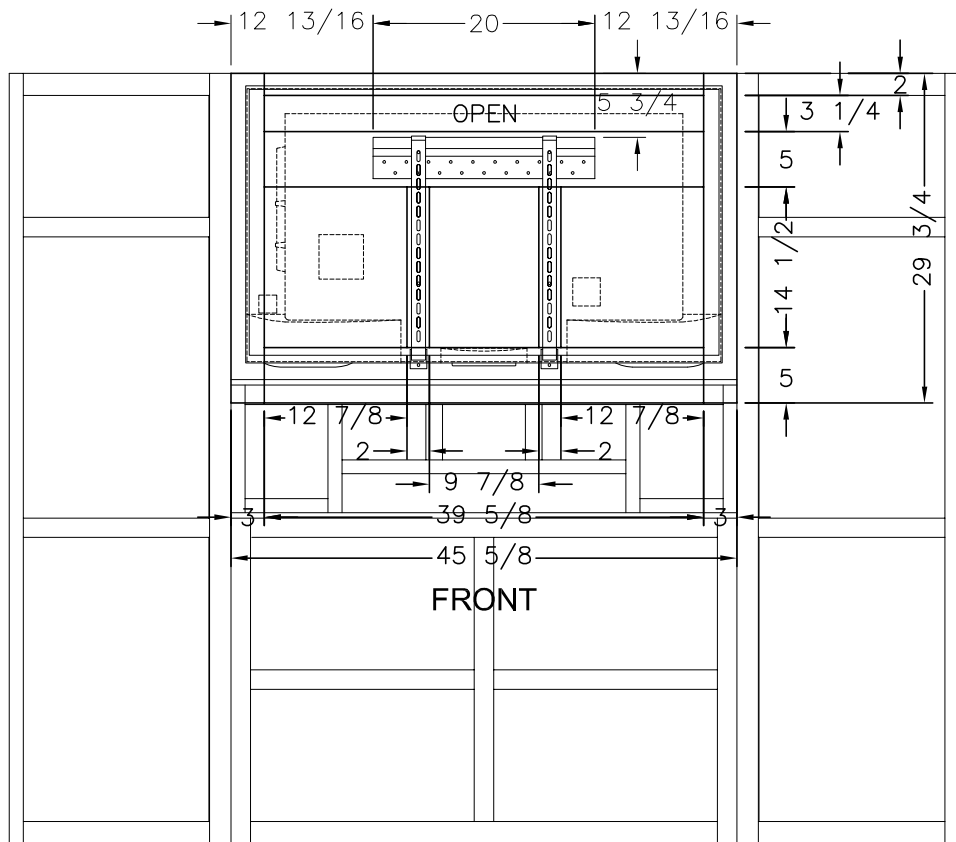
UPPER BASE

NEWMAR CORP P.O. Box 30, Nappanee, IN. 46550 UNITS: INCHES TITLE BLOCK: 1TB	Model: EX DP 4519	Sheet: 3 OF 4	Drawn by: Z. R.	Checked by: A. M.	Revision:	By:
	Title: DRESSER CENTER UPPER BASE	I.D. # 2017\SPECIALS\MOT\1381BR_DR	Date: 1/11/17	Date: 1/12/17	Revision:	Date:
						By:

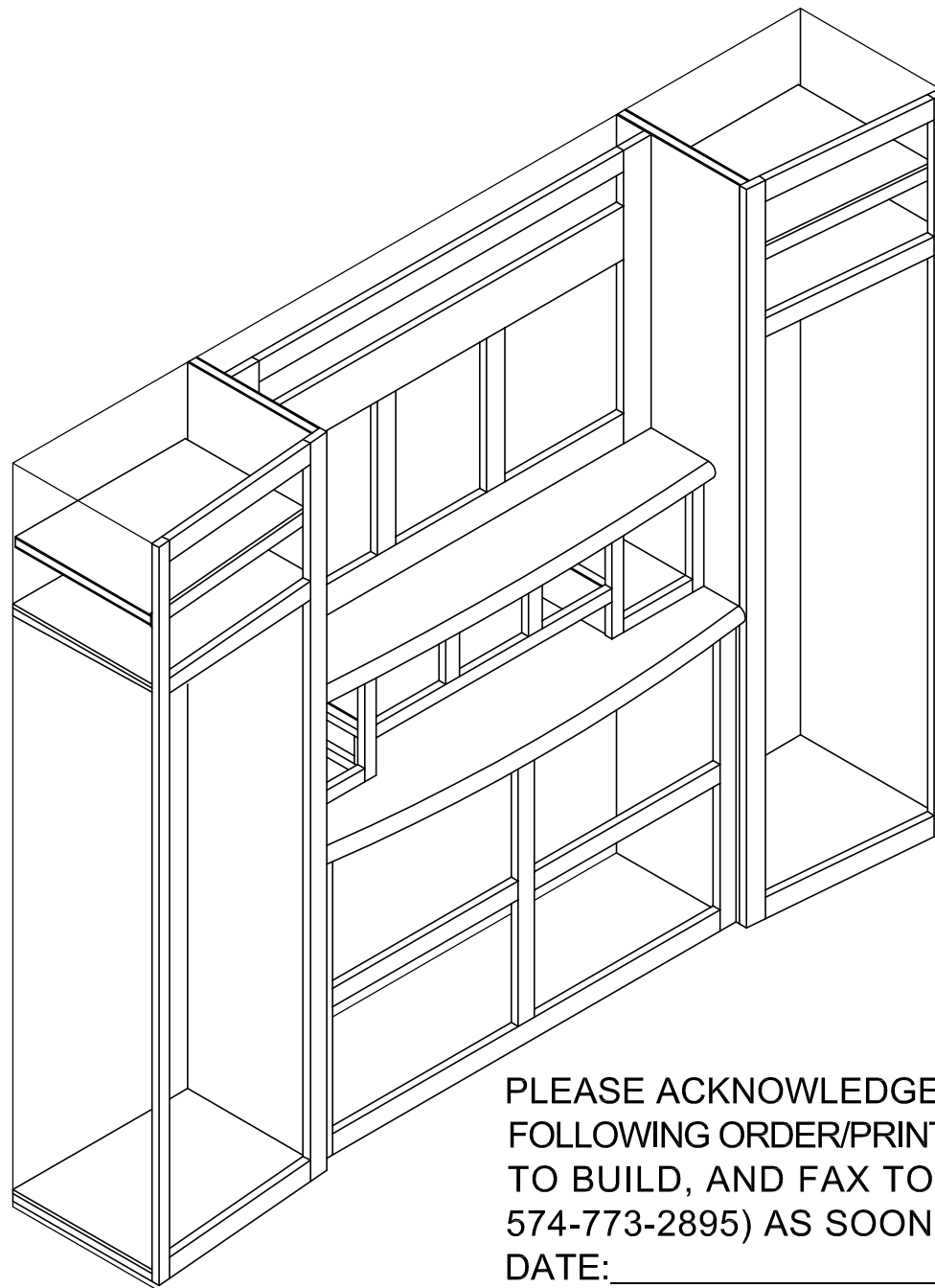
ITEM #	QTY	NEWMAR #	DESCRIPTION
1	1	136728	SONY ULTRA HD TV (XBR-49X800D)
2	1	135877	TV BRACKET



PLAN VIEW



FRONT



PLEASE ACKNOWLEDGE AND DATE THE FOLLOWING ORDER/PRINT FOR APPROVAL TO BUILD, AND FAX TO NEWMAR (AT 574-773-2895) AS SOON AS POSSIBLE
 DATE: _____
 SIGN: _____

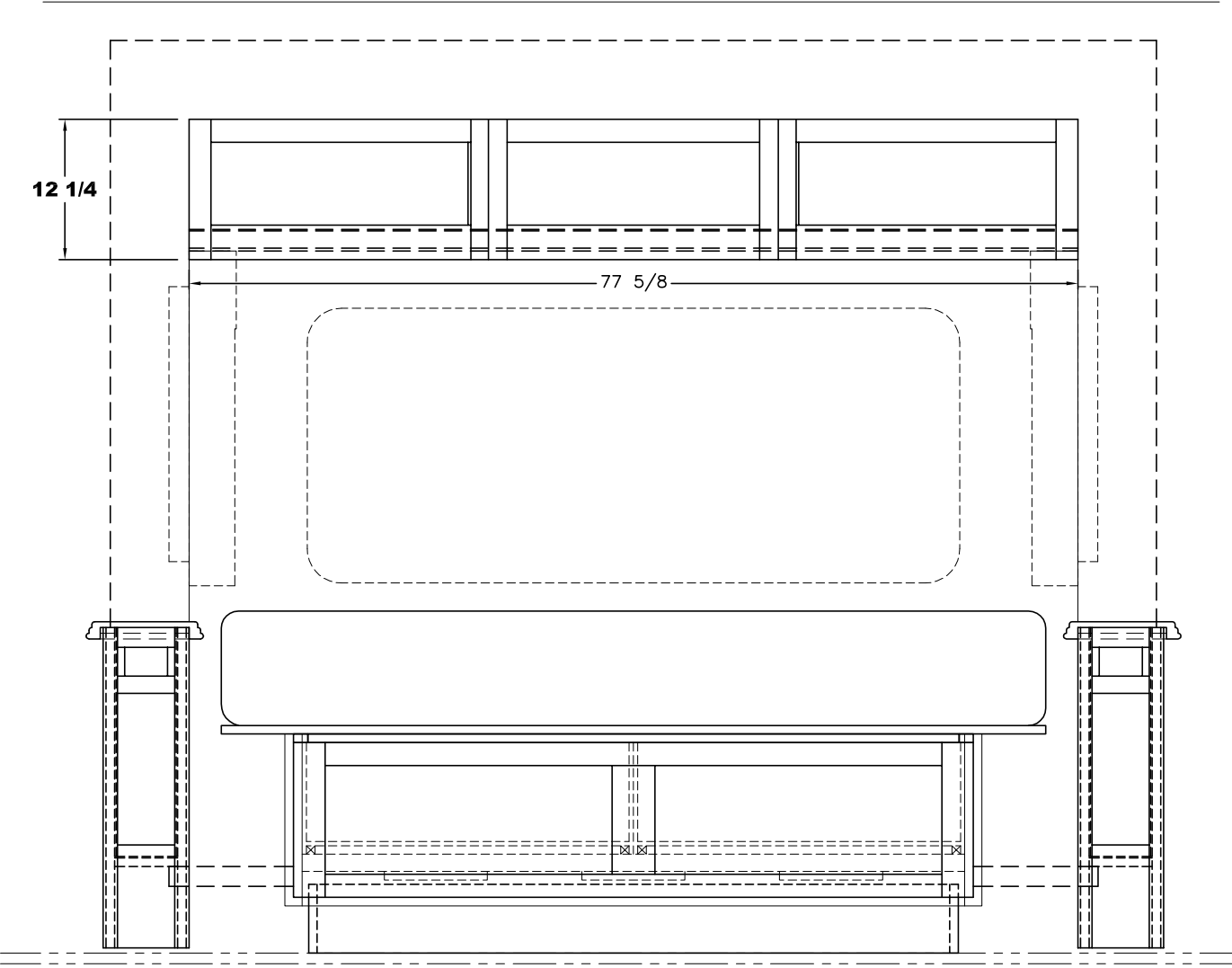
UNIT: # 801240
 DEALER: North Trail RV
 SPECIAL: # 1381

TV MOUNT/ISOMETRIC

NEWMAR CORP P.O. Box 30, Nappanee, IN. 46550 UNITS: INCHES TITLE BLOCK: 1TB	Model:	Sheet	Drawn by:	Checked by:	Revision:	By:
	EX DP 4519	4 OF 4	Z. R.	A. M.		Date:
	Title:	I.D. # 2017\	Date:	Date:	Revision:	By:
	DRESSER CENTER TV MOUNT/ISOMETRIC	SPECIALS\MOT\ 1381BR_DR	1/11/17	1/12/17		Date:

PLEASE ACKNOWLEDGE AND DATE THE FOLLOWING ORDER/PRINT FOR APPROVAL TO BUILD, AND FAX TO NEWMAR (AT 574-773-2895) AS SOON AS POSSIBLE

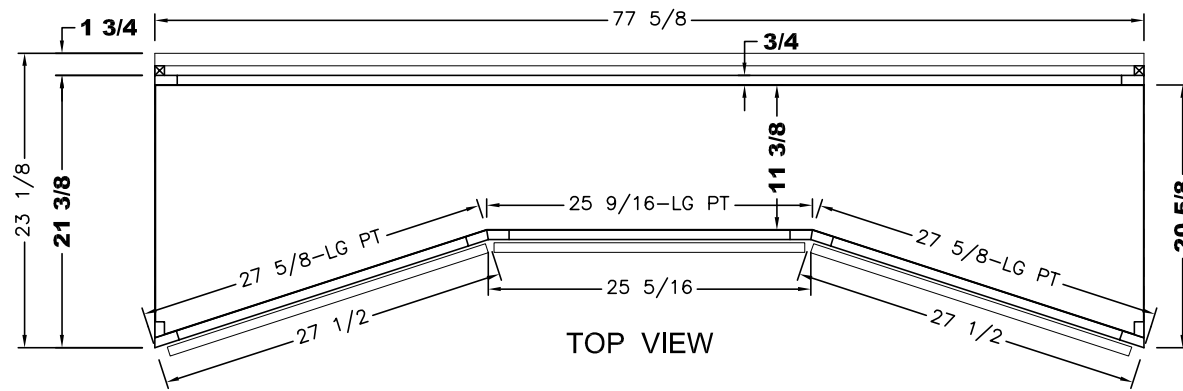
DATE: _____
SIGN: _____



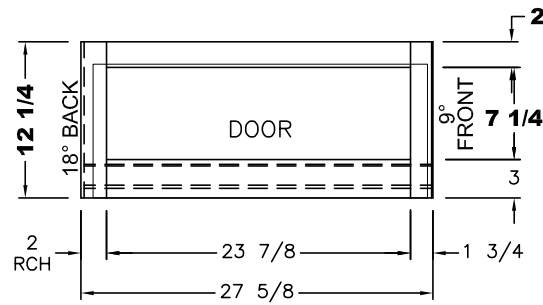
UNIT: # 801240
DEALER: North Trail RV
SPECIAL: # 1381

CABINETS

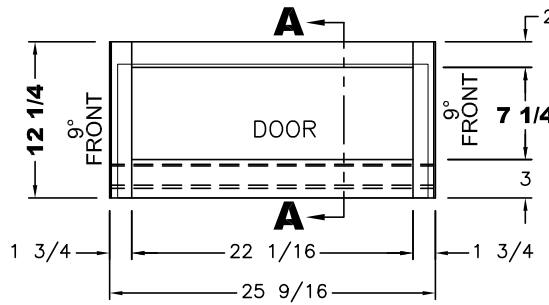
NEWMAR CORP P.O. Box 30, Nappanee, IN. 46550 Title block--75TB	Model: EX DP 4519	Sheet 1 OF 2	Drawn by: Z. R.	Checked by: A. M.	Revision:	By:
	Title: 88 1/8 BR S-O CABINETS	I.D. # 2017\ SPECIALS\MOT\ 1381CH	Date: 1/11/17	Date: 1/12/17	Revision:	Date:



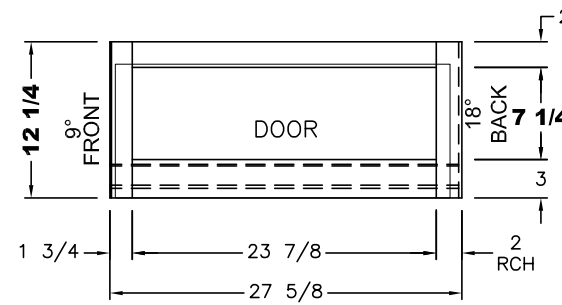
PLEASE ACKNOWLEDGE AND DATE THE FOLLOWING ORDER/PRINT FOR APPROVAL TO BUILD, AND FAX TO NEWMAR (AT 574-773-2895) AS SOON AS POSSIBLE
 DATE: _____
 SIGN: _____



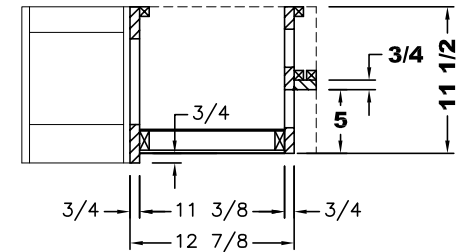
(1) 26 1/4 x 10 1/2 DOOR



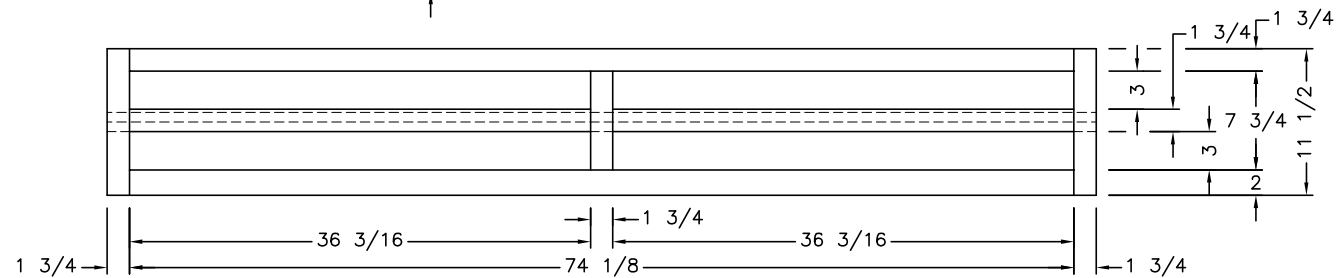
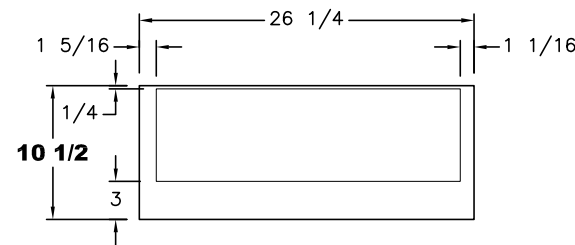
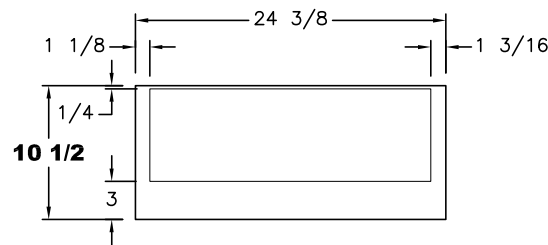
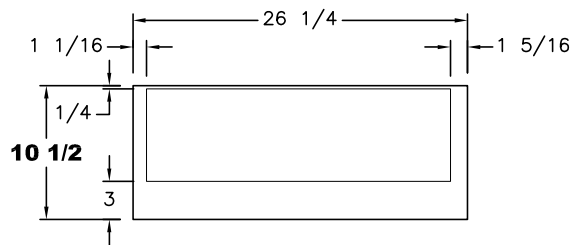
(1) 24 3/8 x 10 1/2 DOOR



(1) 26 1/4 x 10 1/2 DOOR



A-A



BACK (FRONT VIEW)

LEAVE ALL SECTIONS OPEN AND COVER WITH LOOSE PANEL FOR SHADE INSTALLATION

UNIT: # 801240
 DEALER: North Trail RV
 SPECIAL: # 1381

NEWMAR CORP P.O. Box 30, Nappanee, IN. 46550	Model: EX DP 4519	Sheet 2 OF 2	Drawn by: Z. R.	Checked by: A. M.	Revision:	By:
	Title: 88 1/8 BR S-O CABINETS	I.D. # 2017\ SPECIALS\MOT\ 1381CH	Date: 1/11/17	Date: 1/12/17	Revision:	Date:
Title block--75TB						By: Date: