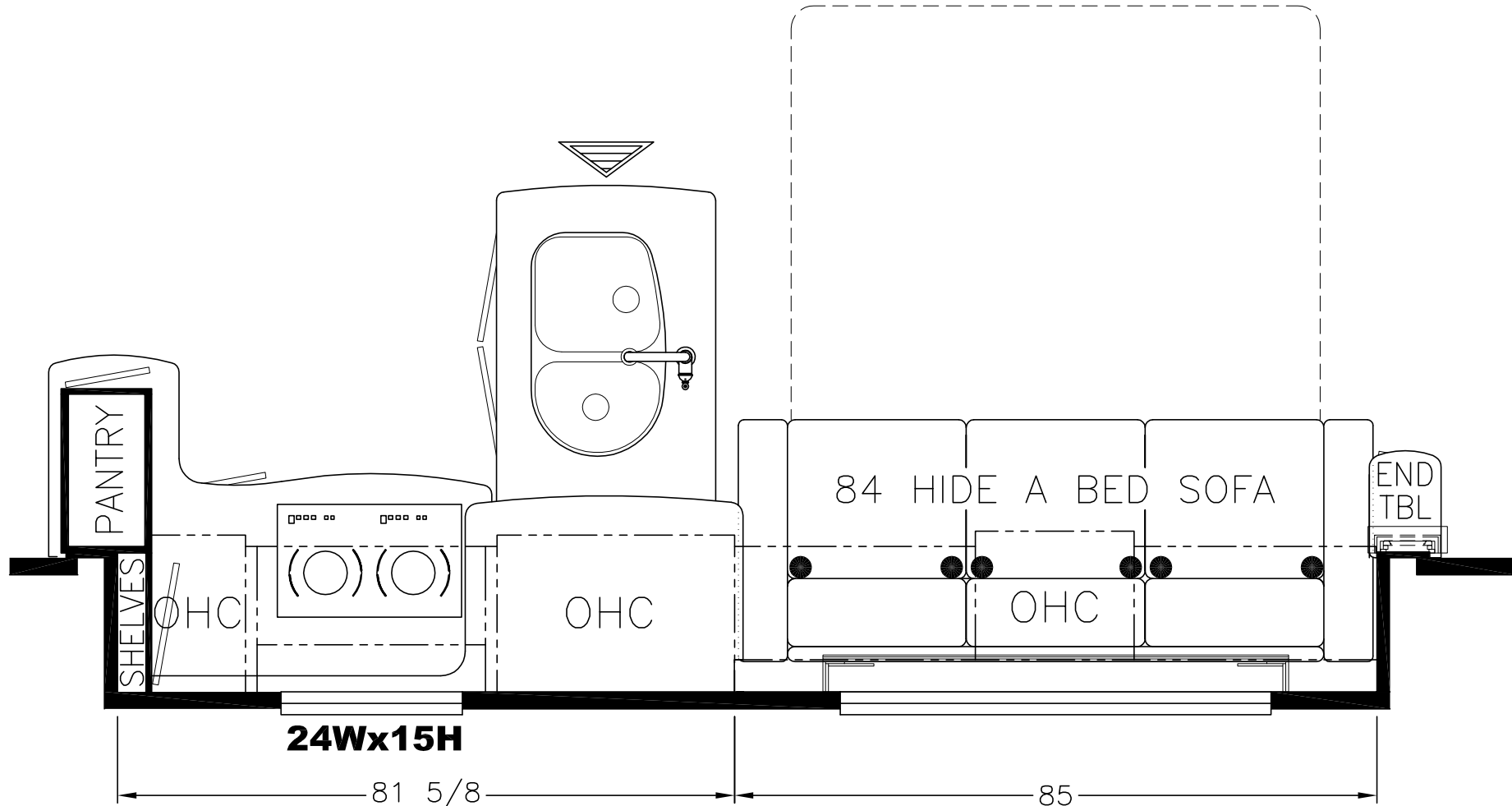


PLEASE ACKNOWLEDGE AND DATE THE FOLLOWING ORDER/PRINT FOR APPROVAL TO BUILD, AND FAX TO NEWMAR (AT 574-773-2895) AS SOON AS POSSIBLE

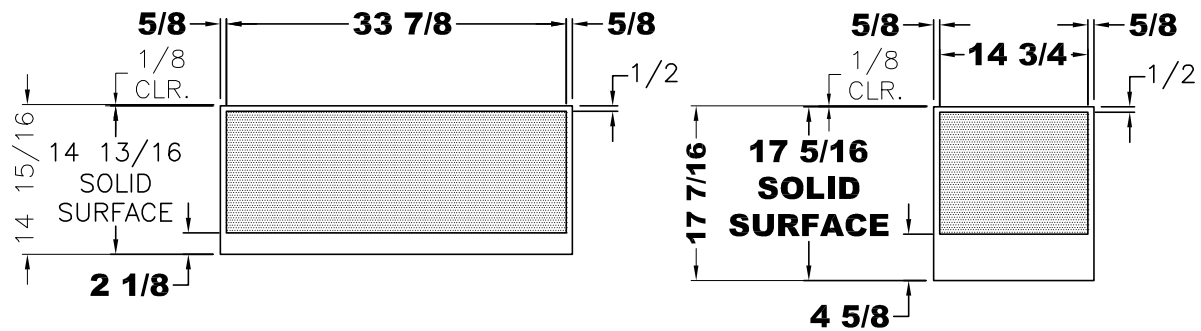
DATE: \_\_\_\_\_  
SIGN: \_\_\_\_\_



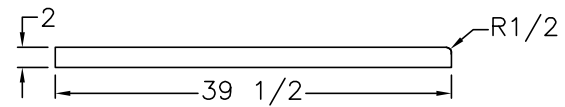
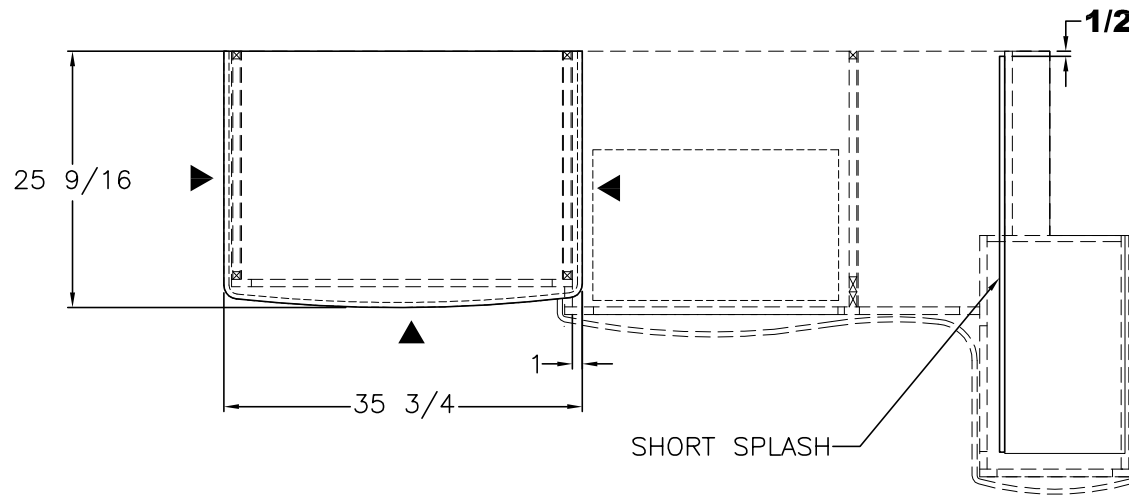
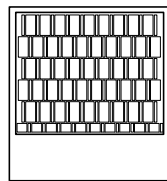
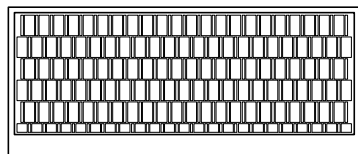
UNIT: # 904403  
DEALER: Holland Motor  
SPECIAL: # 537

<b>NEWMAR CORP</b> P.O. Box 30, Nappanee, IN. 46550 Title block--1TB	Model: MA DP 4565 (J610)	Sheet 1 OF 1	Drawn by: Z. R.	Checked by: A. M.	Revision:	By:
	Title: FLOOR PLAN	I.D. # 2016 \ SPECIALS \ MOT \ 537FP	Date: 9/8/15	Date: 9/9/15	Revision:	By:

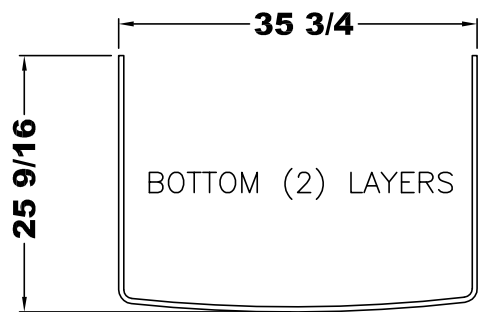
ITEM #	QTY	NEWMAR #	DESCRIPTION
1	J610	124108	ALL ELECTRIC INDUCTION COOKTOP (S2F3)



**SOLID DENOTES 1/4" RECESS FOR TILE INLAY**



**SHORT SPLASH**

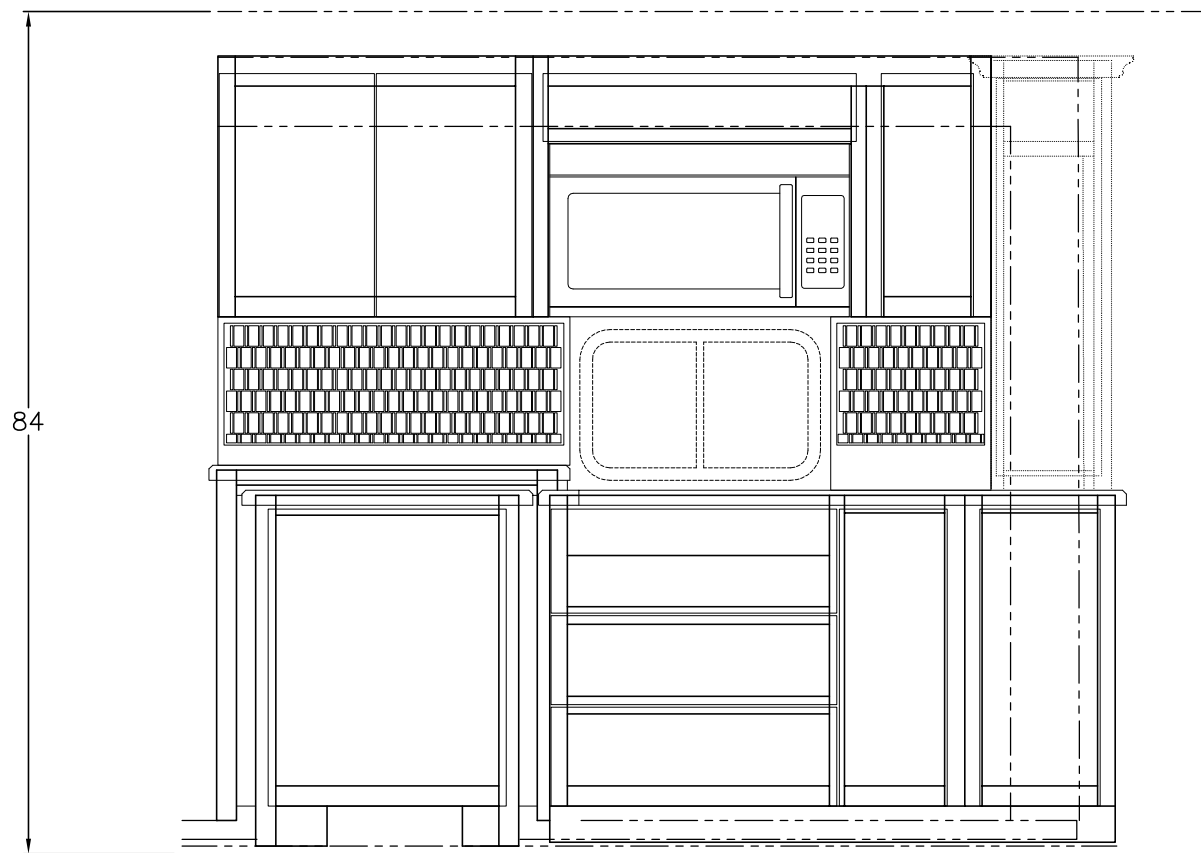


UNIT: # 904403  
 DEALER: Holland Motor  
 SPECIAL: # 537

TOPS/TRIM/SHELF/SPLASH

PLEASE ACKNOWLEDGE AND DATE THE FOLLOWING ORDER/PRINT FOR APPROVAL TO BUILD, AND FAX TO NEWMAR (AT 574-773-2895) AS SOON AS POSSIBLE  
 DATE: \_\_\_\_\_  
 SIGN: \_\_\_\_\_

<b>NEWMAR CORP</b> P.O. Box 30, Nappanee, IN. 46550	Model: (J610)	Sheet 1 OF 2	Drawn by: Z. R.	Checked by: A. M.	Revision:	By:
	Title: 81 5/8 KITCHEN	I.D. # 2016\ SPECIALS\MOT\ 537KT	Date: 9/8/15	Date: 9/9/15	Revision:	Date:
Title block--75TB						By:
						Date:



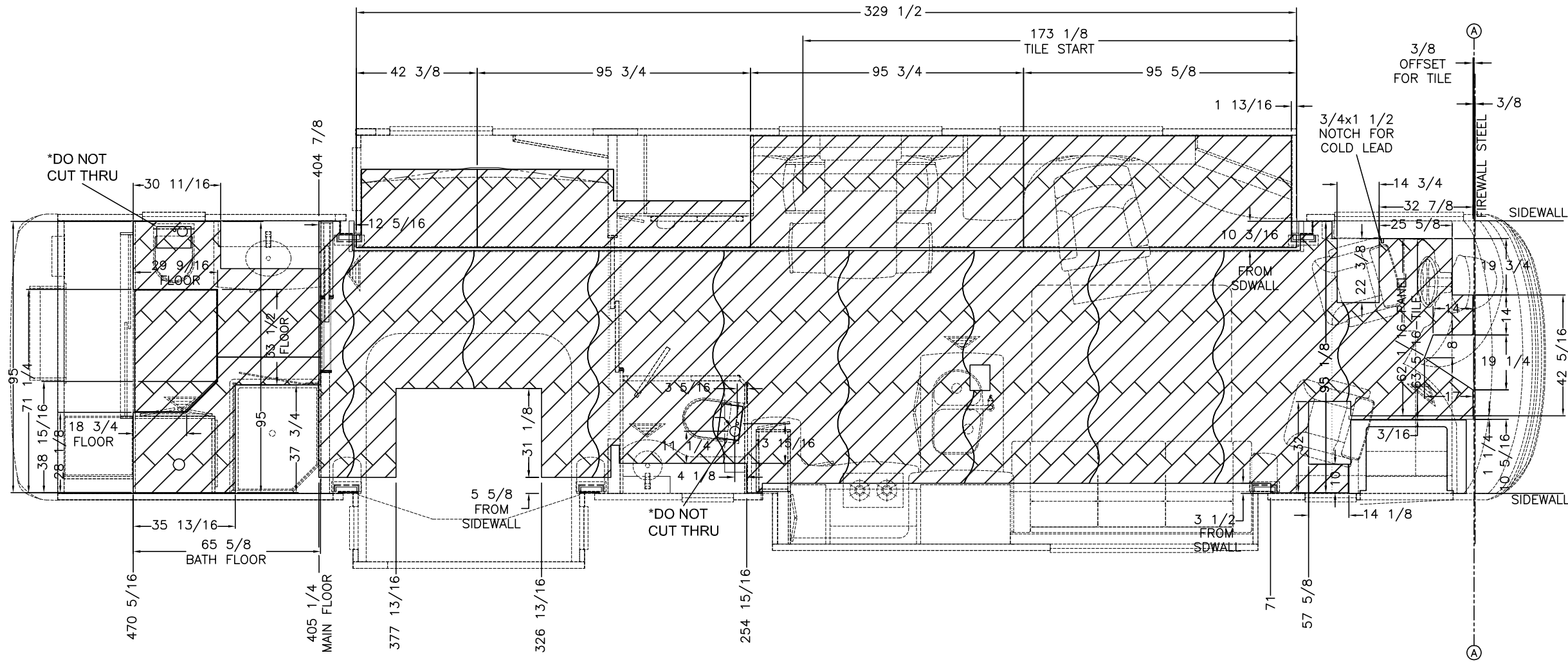
UNIT: # 904403  
 DEALER: Holland Motor  
 SPECIAL: # 537

ELEVATION

PLEASE ACKNOWLEDGE AND DATE THE FOLLOWING ORDER/PRINT FOR APPROVAL TO BUILD, AND FAX TO NEWMAR (AT 574-773-2895) AS SOON AS POSSIBLE  
 DATE: \_\_\_\_\_  
 SIGN: \_\_\_\_\_

<b>NEWMAR CORP</b> <i>P.O. Box 30,</i> <i>Nappanee, IN. 46550</i>	Model:	Sheet	Drawn by:	Checked by:	Revision:	By:
	MA DP 4565	2 OF 2	Z. R.	A. M.		Date:
Title:	I.D. # 2016\	Date:	Date:	Revision:		By:
Title block--75TB	81 5/8 KITCHEN	SPECIALS\MOT\ 537KT	9/8/15	9/9/15		Date:

\*ALL DIMENSION FROM POINT A



**NOTE: ALL PANELS AT 47 3/4 WIDE  
UNLESS SPECIFIED OTHERWISE**

**EX DP TILE  
5 13/16 x 35 3/16**

PLEASE ACKNOWLEDGE AND DATE THE FOLLOWING ORDER/PRINT FOR APPROVAL TO BUILD, AND FAX TO NEWMAR (AT 574-773-2895) AS SOON AS POSSIBLE  
DATE: \_\_\_\_\_  
SIGN: \_\_\_\_\_

UNIT: # 904403  
DEALER: Holland Motor  
SPECIAL: # 537

<b>NEWMAR CORP</b> P.O. Box 30, Nappanee, IN. 46550 Title block--3125TB	Model: MA DP 4565	Sheet 1 OF 1	Drawn by: Z. R.	Checked by: A. M.	Revision:	By:
	Title: STANDARD TILE LAYOUT	I.D. # 2016\ SPECIALS\MOT\ 537TILE	Date: 9/9/15	Date: 9/9/15	Revision:	Date: